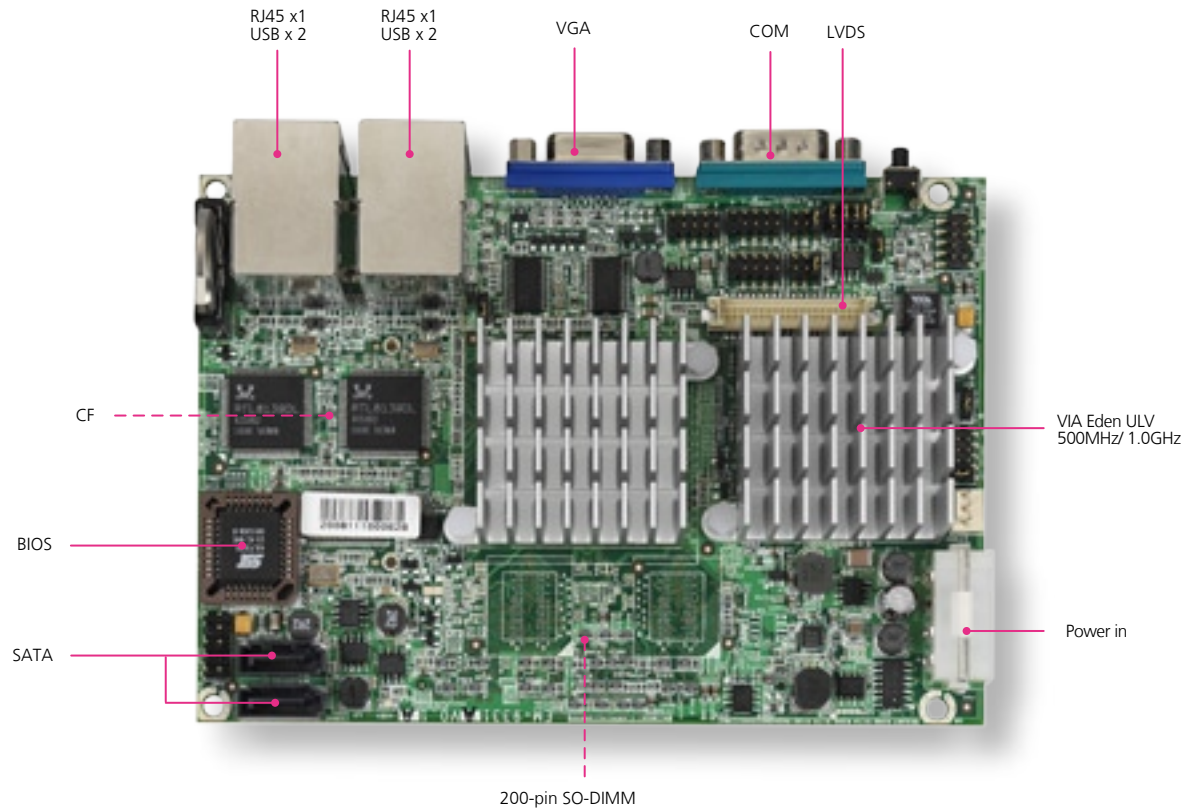


VES-370

3.5" VIA Eden based SBC with with VGA, Audio, dual LAN, 6 USB and 4 COM ports

- VGA
- LVDS
- AUDIO
- LAN
- CF
- USB
- SATA
- COM



FEATURES

- Onboard VIA Eden ULV processor, 500 MHz or 1GHz
- VIA CX700M integrated chipset
- Optional 512 MB DDR2 memory on-board
- 400/533MHz DDR2 SO-DIMM
- CompactFlash socket
- 2 SATA ports
- Dual 10/100Mbps RJ-45 LAN ports
- 4 COM ports, 6 USB ports
- Watchdog monitor with RTC and battery



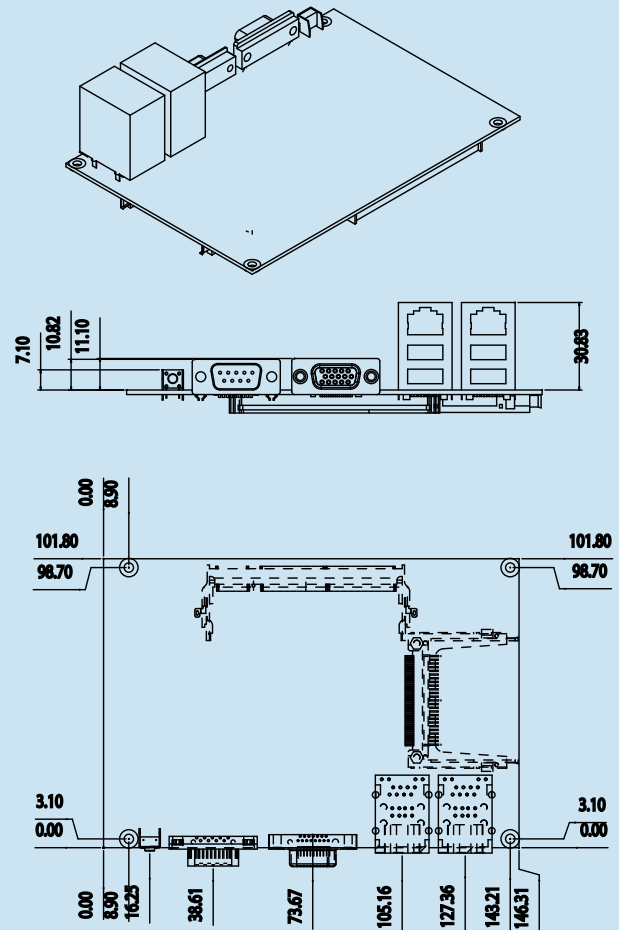
FEATURE	DESCRIPTION	
Platform	Form Factor	3.5" Embedded board
	Processor	Onboard VIA Eden ULV, 500MHz or 1GHz
	Chipset	VIA CX700M
	BIOS	AMI BIOS with 8Mbit Flash
System Memory	Technology	DDR2 400/533 MHz
	Onboard Memory	512MB DDR2 IC (optional)
	Socket	DDR2 SO-DIMM socket x 1
Storage Interface	Hard Drive Interface	SATA port x 2
	SSD (CF Socket)	CompactFlash I/II x1
Networking	Speed	10/100 Mbps
	I/O	RJ45 x 2
	Controller	Realtek RTL8139DL
Display	Controller	Integrated Uni Chrome Pro II graphics
	VGA	D-Sub 15-pin CRT connector; 1920 x 1440 max resolution
	LVDS	2 x 20 pin Hirose connector, max resolution 1600 x 1200, single-channel 24-bit/dual-channel 48-bit LCD panel
Audio	Controller	VIA VT1708S
	I/O	Mic-in, Line-out via pin header
I/O Interface	Serial Ports	Front I/O: 1 x RS232/422/485 (D-Sub 9 pin) Pin Header: 3 x RS32 only via 2x5 pin header
	USB 2.0	Front I/O: 4 Pin Header: 2 (2 x 5 pin header, 2 mm pitch)
	Reset Button	Yes
	Hardware Monitoring	Controller: Winbond 83627UHG integrated hardware monitor function Watchdog timer: Yes (1~255 Level)
OS Supported	Linux kernel 2.4.16 or above, Windows XP 32-bit, XPe, Win CE 6.0	
Environmental Parameters	Temperature, ambient operating	0~60°C (32~140°F)
	Humidity (RH), ambient operating	0~90% relative humidity, non-condensing
Physical Dimensions	Dimensions	146 mm x 101 mm (5.7" x 4")
Power	Input	DC +12V (ATX Mode)
Compliance	CE, RoHS	

ORDERING INFORMATION

VES-370A 3.5" SBC with onboard VIA Eden ULV 500MHz processor

VES-370B 3.5" SBC with onboard VIA Eden 1.0GHz processor

MECHANICAL DRAWING



About Lanner

Founded in 1986 and publicly listed (TAIEX 6245) since 2003, Lanner Electronics Inc. is an ISO 9001 certified designer and manufacturer of reliable, frontline security, storage and applied computing platforms and solutions. With headquarters in Taipei, Taiwan and branches in the U.S. and China, Lanner is uniquely positioned to deliver custom technical solutions with localized, value-added service.

Contact information

Lanner Electronics Inc
7F, 173, Section 2 Datong road
Sijhih City, Taipei County 221, Taiwan

T +886 2 86926060

F +886 2 86926101

E sales@lannerinc.com

W www.lannerinc.com