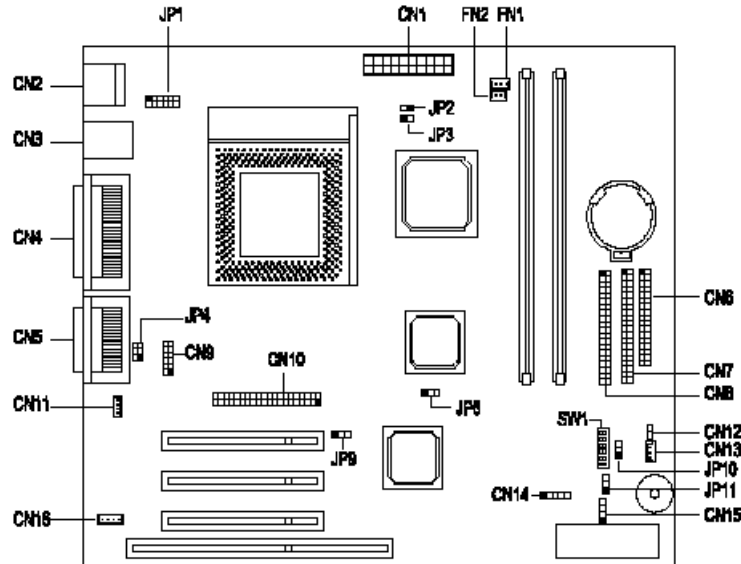


Acer V66MA Motherboard

Jumper and Connector Layout



CPU Switch settings

CPU Speed	1	2	3	4
Celeron 300MHz	On	Off	On	Off
Celeron 333 MHz	On	On	Off	Off
Celeron 366 MHz	On	Off	Off	Off
Celeron 400MHz	Off	On	On	On
Celeron 433MHz	Off	Off	On	On
PII 400MHz	On	On	On	Off
PII 450MHz	On	Off	On	Off

Jumper and Switch settings

Switch / Jumper	Setting	Function
SW5	On	Bypass Password*
	Off	Check Password
SW6	On	OEM BIOS
	Off	Acer BIOS*
JP5	1-2	VGA Interrupt enabled
	2-3	VGA Interrupt disabled (Rage 128 VR)
JP6	1-2	VGA Interrupt enabled
	2-3	VGA Interrupt disabled (RagePro Turbo)

Connector Functions

Connector	Function
CN1	Power Connector
CN2	USB ports
CN3	PS/2 ports
CN4	Parallel port, COM1, VGA
CN5	Audio I/O connectors
CN6	Floppy Connector
CN7	Primary IDE Connector
CN8	Secondary IDE Connector
CN9	COM2 port
CN11	Fax-Modem-in
CN12	Power SW Connector
CN13	Wake on LAN (WOL) Connector
CN14	Modem Ring Connector
CN15	HDD LED connector
CN16	CD-in connector
JP1	USB Daughterboard connector
JP2	System Thermal
JP3	CPU temperature sensor connector
JP9	Reset switch
JP10	Turbo LED Connector
JP11	Power LED Connector

Memory

Module description : 168 pin DIMM PC66 or PC100 but not mixed Maximum : 256MB