



Compaq Presario 7100 Series

- [Home](#)
- [What's New](#)
- [Contact Us](#)

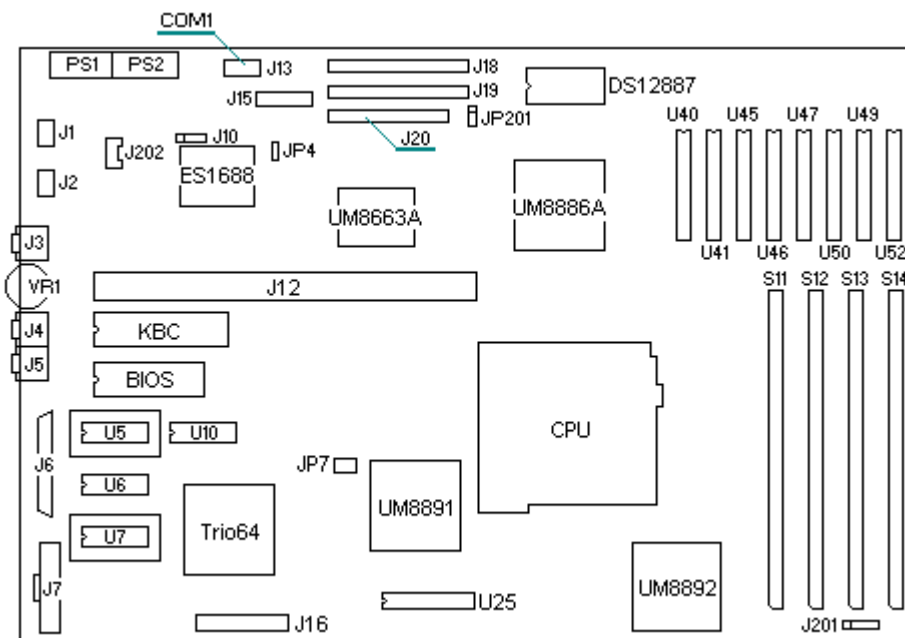
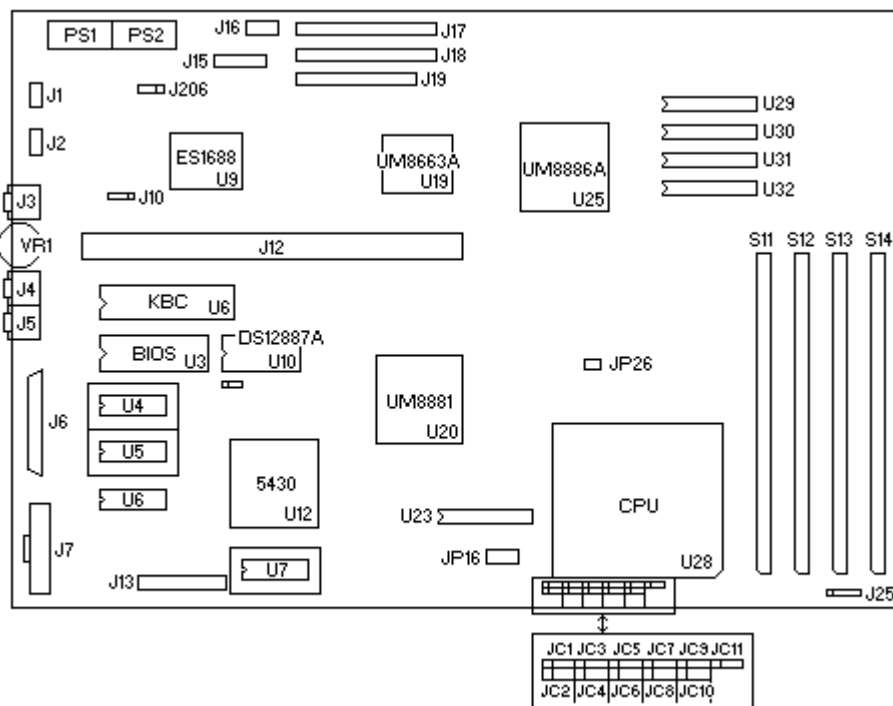
Search the Site

Find

powered by
[FreeFind](#)

- [Acer](#)
- [Advent](#)
- [Amstrad](#)
- [Apple](#)
- [Canon](#)
- [Compaq](#)
- [CTX](#)
- [Epson](#)
- [Hewlett Packard](#)
- [Mitsubishi/Apricot](#)
- [Packard Bell](#)
- [Other Manufact.](#)

- [File Extensions](#)
- [Humour](#)
- [Links](#)
- [Microsoft](#)
- [Reference](#)
- [Scanner Support](#)



Processor Jumper Settings, 486 Boards W/8 MB

Jumper	AMD 486 DX2/80	AMD 486 DX2/80 PLUS	AMD 486 DX4/100	AMD 486 DX4/100 PLUS	Cyrix 486DX2 V80	Intel PODP (P24T)
JC1	Open	2-3	Open	2-3	1-2	Open
JC2	Open	2-3	Open	2-3	1-2	2-3
JC3	Open	2-3	Open	2-3	1-2	Open
JC4	Open	2-3	Open	2-3	1-2	2-3
JC5	Open	2-3	Open	2-3	1-2	Open
JC6	Open	2-3	Open	2-3	1-2	Open
JC7	Open	2-3	Open	2-3	1-2	2-3
JC8	Open	2-3	Open	Open	Open	Open
JC9	2-3	1-2	2-3	1-2	1-2	3-4
JC10	1-2	2-3	Open	2-3	Open	Open
JC11	2-3	2-3	2-3	2-3	2-3	1-2
JC16	3-4	3-4	3-4	3-4	1-2	5-6, 7-8, 9-10
JC26	Open	Open	1-2	1-2	Open	1-2

Configuration Jumper Settings, 486 boards W/8 MB (R02, R03)

Jumper	Function	Pins	Function
JP7	Manually clear RTC and CMOS	1-2 2-3	CMOS Discharged Normal

Configuration Jumpers for 586 Models (R02, R03)

Jumper	Function	Pins	Function
JP4	Sound Subsystem	Open Closed	ES1688 Enabled ES1688 Disabled
JP7	CPU core/bus select	1-2 3-4 1-2,5-6	75/50 MHz 90/60 MHz 100/66.6 MHz
JP201	Manually clear RTC and CMOS	1-2 2-3	CMOS Discharged Normal