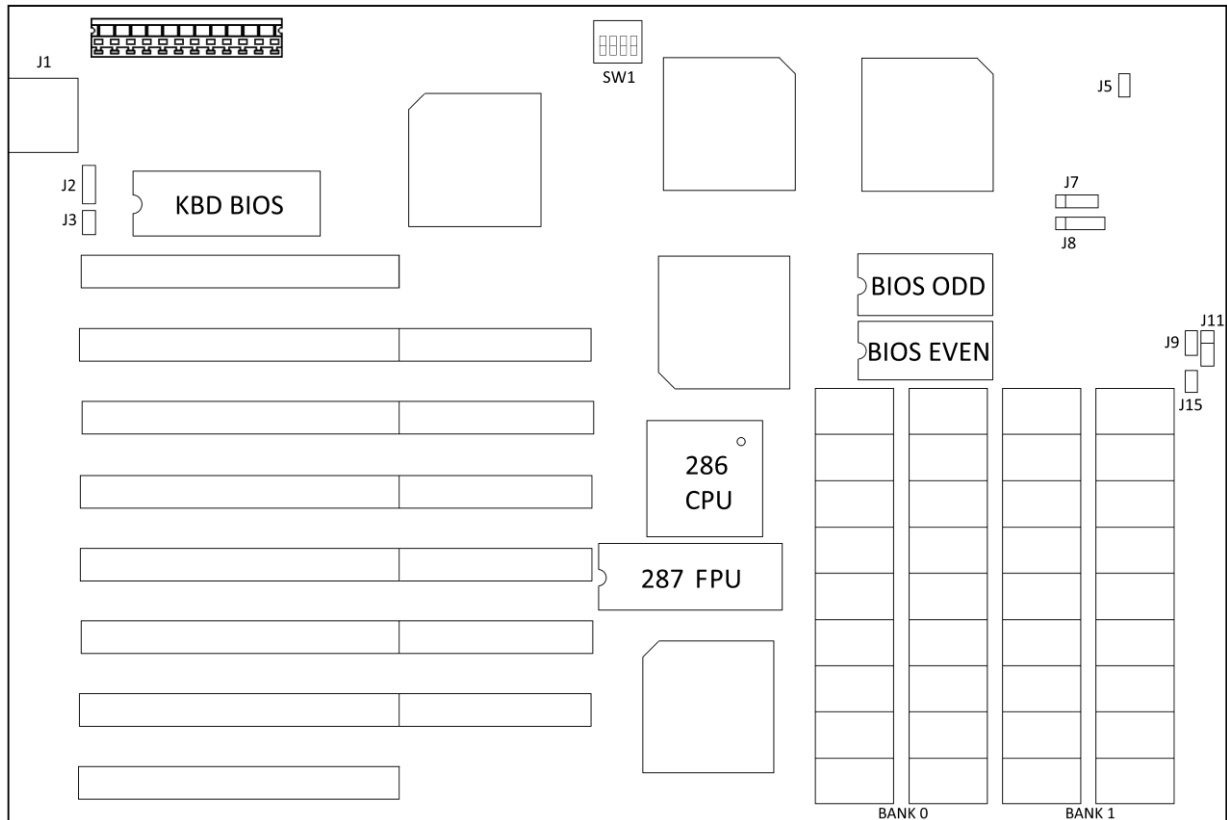


# Uniron U3911 (V1,V2,V3)



CONNECTIONS			
Purpose	Location	Purpose	Location
Keyboard	J1	Speaker	J7
External battery	J2	Power LED (1-3) & keylock (4-5)	J8
Reset switch	J3	Turbo LED	J9

USER CONFIGURABLE SETTINGS			
Function		Jumper/Switch	Position
»	Monitor type select color	SW1/1	On
	Monitor type select monochrome	SW1/1	Off
»	RAM select 0 wait state	J15	Closed
	RAM select 1 wait state	J15	Open
»	CPU speed select 12 MHz (Locked)	J5	Closed
	CPU speed select 8 MHz (Keyboard controlled)*	J5	Open
»	??? Parity check Enable	J11	1-2
	??? Parity check Disable	J11	2-3

\* Ctrl Alt + CPU Speed 8 MHz      Ctrl Alt - CPU Speed 12 MHz

DRAM CONFIGURATION			DRAM JUMPER CONFIGURATION		
Size	Bank 0	Bank 1	SW1/2	SW1/3	SW1/4
512 KB	(18) 41256	NONE	On	On	On
640 KB	(18) 41256	(18) 4164	Off	On	On
1 MB	(18) 41256	(18) 41256	On	Off	On
2 MB	(18) 411000	NONE	Off	Off	On
4 MB	(18) 411000	(18) 411000	On	On	Off