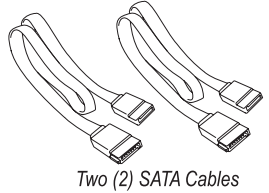


Package Contents

Note: A full version of the manual (soft copy) is included in the CD. It may also be downloaded at www.supermicro.com.



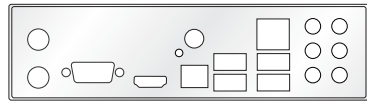
Two (2) SATA Cables



One (1) Quick Installation Guide



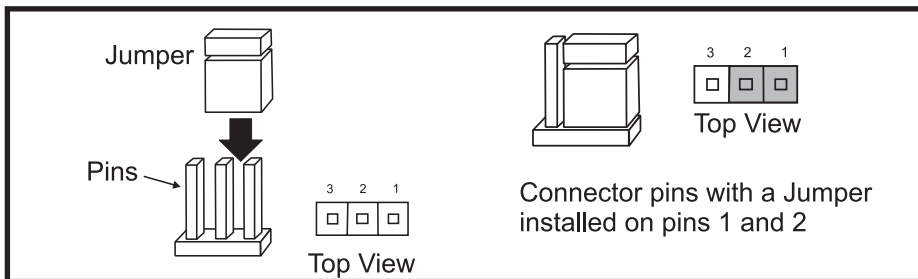
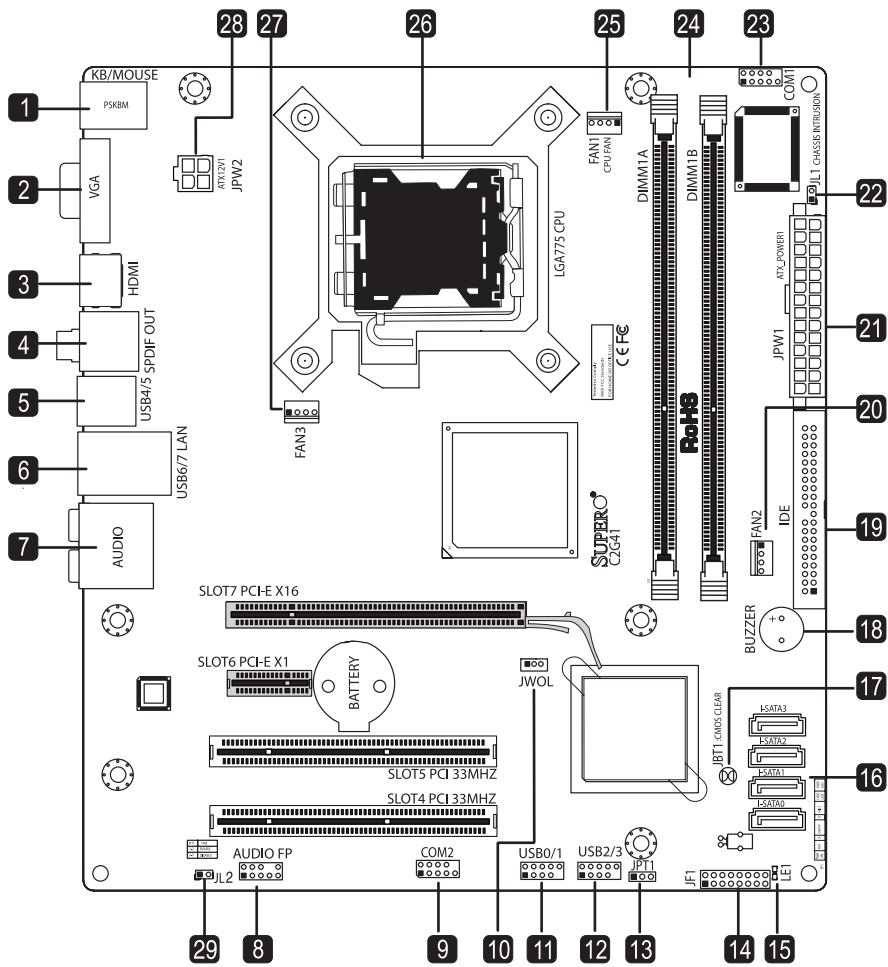
One (1) Drivers and Utilities CD



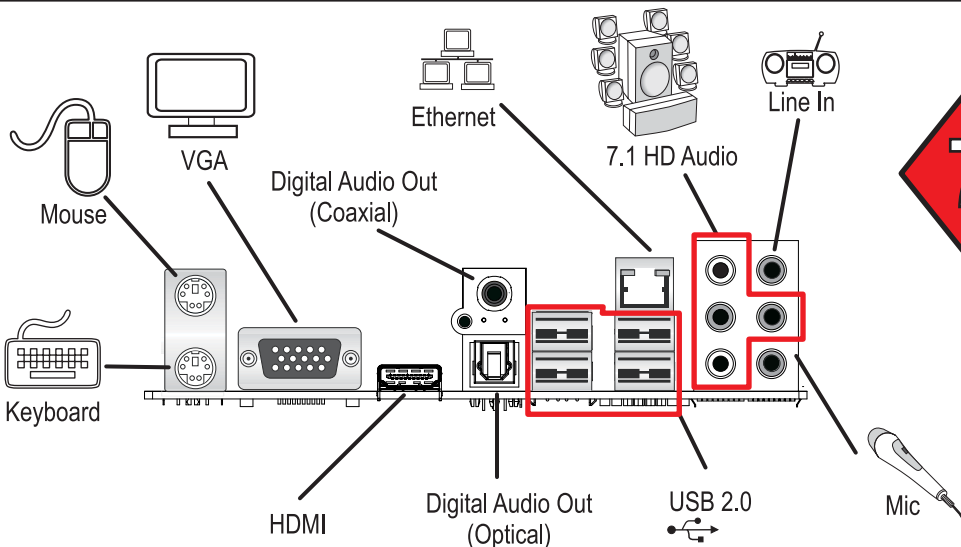
One (1) I/O Shield

Jumpers, Sockets, Connectors & LEDs

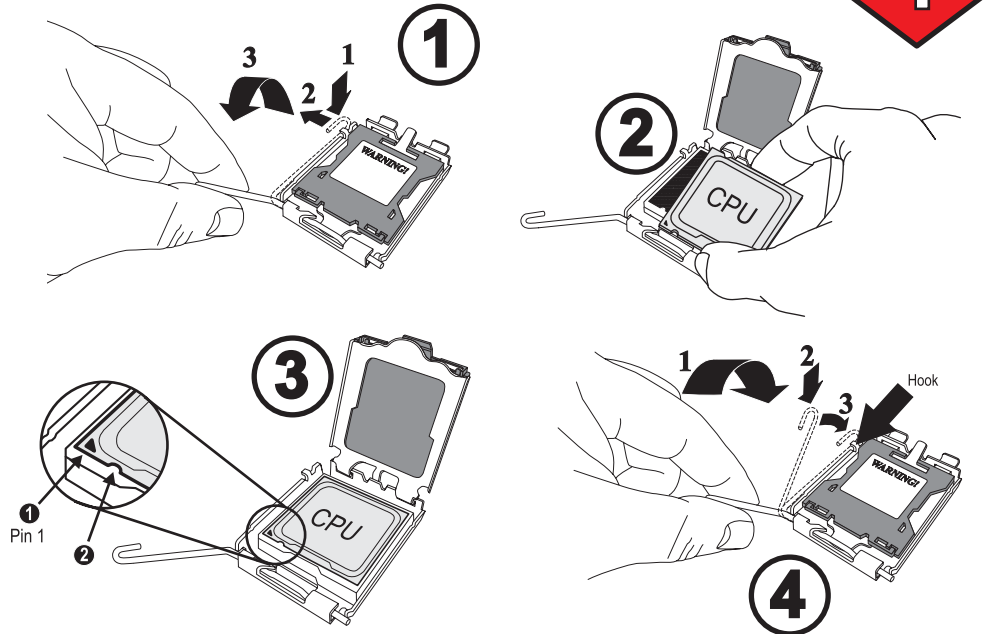
- | | |
|------------------------------------|-----------------------------------|
| 1 Keyboard & Mouse | 15 Standby Power LED Indicator |
| 2 VGA | 16 SATA Ports |
| 3 HDMI | 17 CMOS Clear |
| 4 S/PDIF Out (Optical & Coaxial) | 18 Speaker / Buzzer |
| 5 USB 4/5 | 19 IDE Header Connector |
| 6 LAN 1 & USB 6/7 | 20 Fan 2 Connector |
| 7 HD Audio | 21 24-Pin ATX Power Connector |
| 8 Front Panel Audio Connectors | 22 Chassis Intrusion Header |
| 9 COM2 Header Connector | 23 COM1 Header Connector |
| 10 Wake on LAN (Pins 1-2, Enabled) | 24 DIMM Sockets |
| 11 USB 0/1 Header | 25 Fan 1 Connector for CPU |
| 12 USB 2/3 Header | 26 CPU Socket |
| 13 TPM (Pins 1-2, Enabled) | 27 Fan 3 Connector |
| 14 Front Panel Controls Header | 28 4-Pin ATX Power Connector |
| | 29 HD Audio (open) / AC97 (close) |



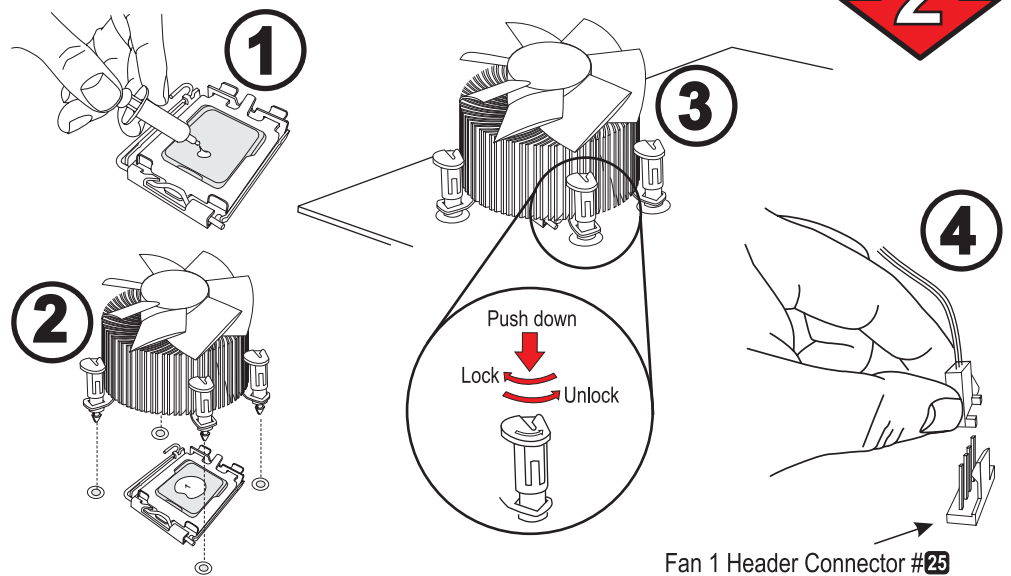
Locate the External I/O Ports



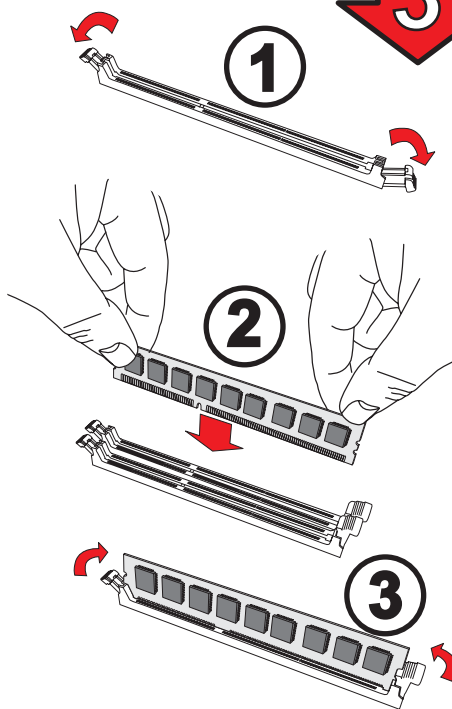
Install the Processor



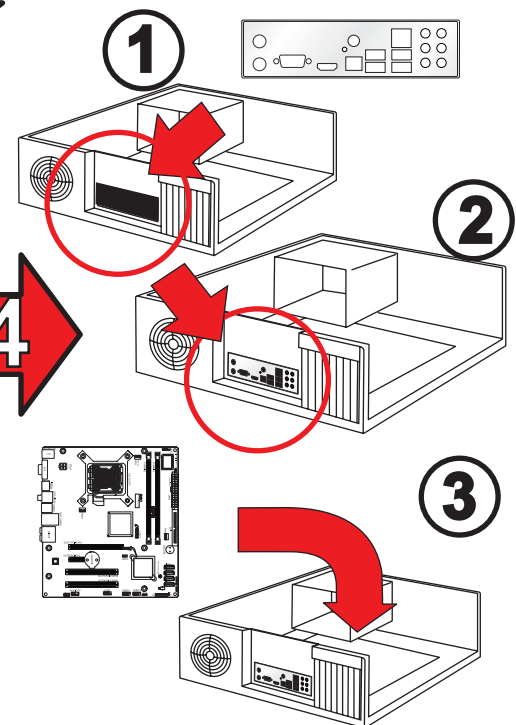
Install the Heatsink & Fan



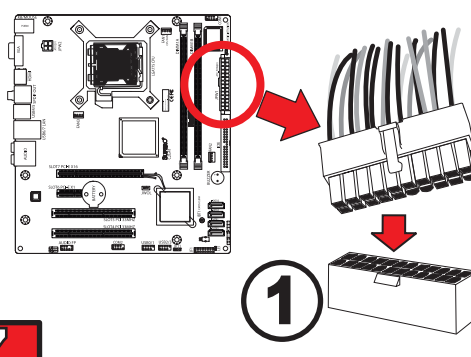
Install the Memory



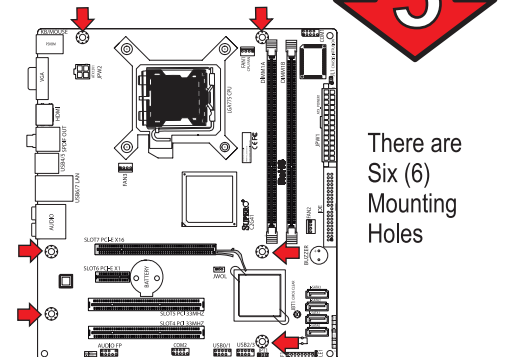
Install the I/O Shield & Motherboard



Attach to the Power Supply



Mount the Motherboard



There are Six (6) Mounting Holes

