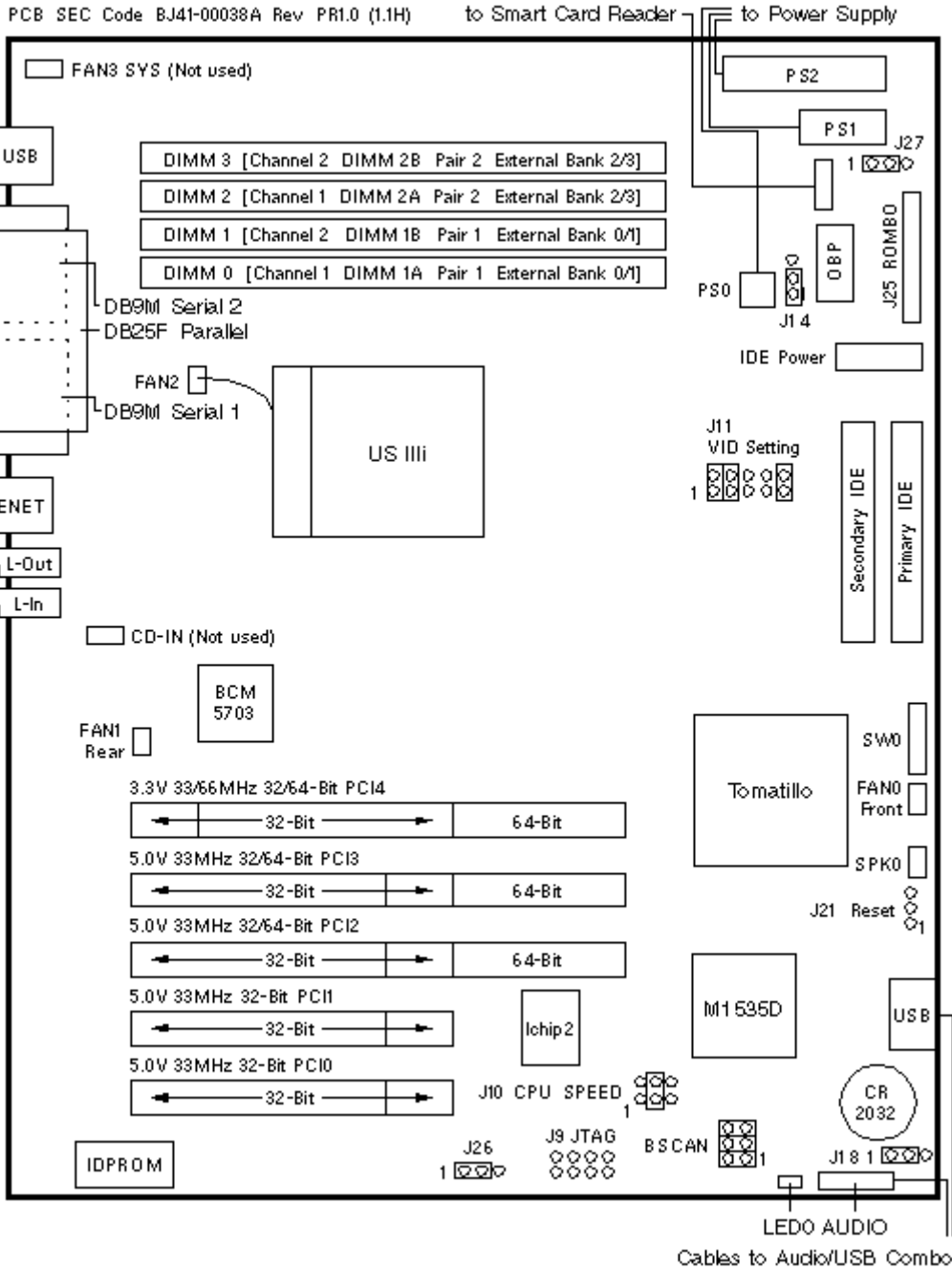


Sun Blade 1500 (Silver)

375-3187	375-3188
OMB 1.503GHz FRU	OMB w/o USIIIi



PCI Slot Numbering

PROBE	SLOT	BUS	DEVICE TREE
1	4	B	pci@1f,70000/*@3,*
2	0	A	pci@1e,60000/*@2,*
3	1	A	pci@1e,60000/*@3,*
4	2	A	pci@1e,60000/*@4,*
5	3	A	pci@1e,60000/*@5,*

PCI Bus A shares the address/data bus with on-board ATA-100, Audio, Flash, I2C, NVRAM, Parallel, RTC, Serial, and USB devices.

PCI Bus B shares the address/data bus with the Ethernet controller.

Jumper Settings

JUMPER	PINS	SETTING	DESCRIPTION
J9	1-8	Out	JTAG Scan Header
J10	1-2	Out	1.503GHz CONFIG[2:0] Bit 0 (101)
	3-4	Out	1.503GHz CONFIG[2:0] Bit 1 (101)
	5-6	In	1.503GHz CONFIG[2:0] Bit 2 (101)
J11	1-2	In	1.4V Core VID[4:0] Bit 4 (00110)
	3-4	In	1.4V Core VID[4:0] Bit 3 (00110)
	9-10	In	1.4V Core VID[4:0] Bit 0 (00110)
J14	1-2	In	Unknown (default)
J18	1-2	In	Unknown (default)
J21	1-3	Out	Reset header
J26	1-2	In	Normal (default)
	2-3	In	Program
J27	1-2	In	Unknown (default)

Notes

1. The minimum operating system is Solaris 8 2/04 or Solaris 9 9/04.
2. The Sun Blade 1500 serial number is located on the upper left side of the front bezel. The serial number and factory configuration label is located on the rear of the chassis.
3. Connect the Sun Blade 1500 Rear Fan to the FAN1 connector. The Rear Fan will not rotate if connected to the FAN3 connector.


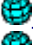


Memory Notes

1. The Sun Blade 1500 requires DDR-1 SDRAM DIMMs.
2. The minimum memory is two DIMMs in location DIMM 0&1 or 2&3.

SCSI Notes

1. The Sun Blade 1500 does not have an onboard SCSI controller.
2. Host Adapter Options 5010, 6540, and 6541 are not bootable in the Sun Blade 1500 (Silver).

References

1.  [Sun Blade 1500 Troubleshooting Card, 817-5125.](#)
2.  [Sun Blade 1500 Service, Diagnostics, and Troubleshooting Manual, 817-5127.](#)
3.  [Sun Blade 1500 Getting Started, 817-5129.](#)
4.  [Sun Blade 1500 Product Notes, 817-5131.](#)
5. SME1603MPGA UltraSPARC IIIi Processor Datasheet