

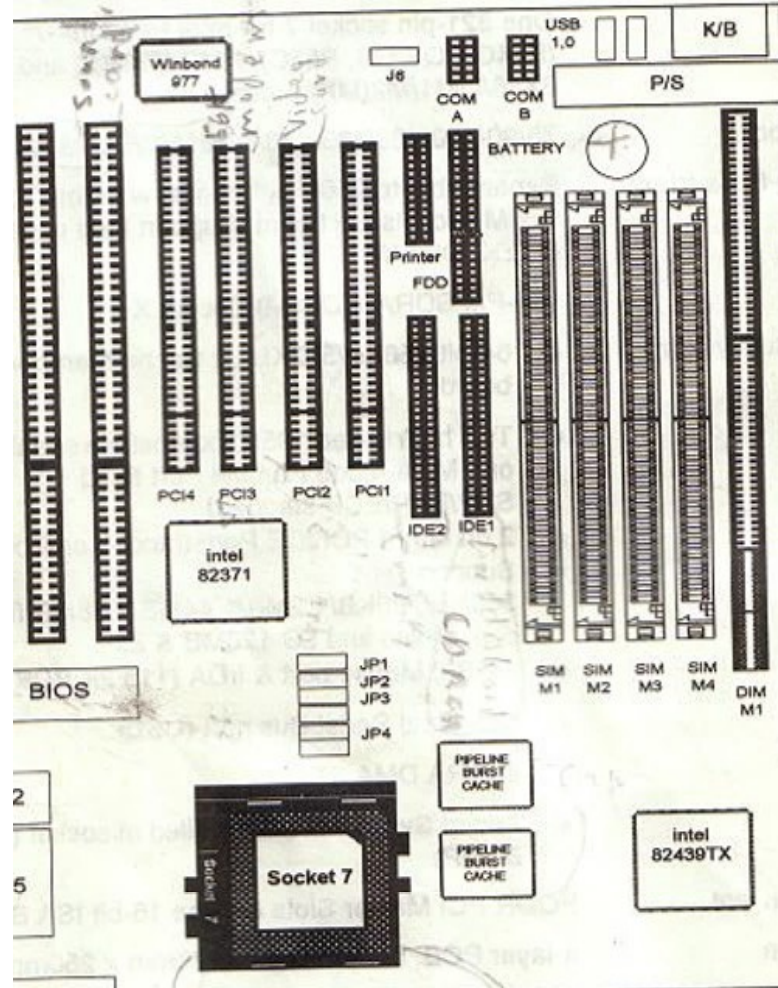
## Main board Feature Introduction

### Specifications

System Chip set	Intel 82439TX, Winbond977TF Super I/O
CPU	One 321-pin socket 7 for Intel Pentium (P54C/CQS/CS, P55C), AMD K5&K6, and Cyrix 6X86/L/M1/M2(MX) processors
CPU Clock	75/90/100/120/133/150/166/180/200/233 MHz
Memory Subsystem	Expandable to 256MB(4 banks) with four 72-pin SIMM sockets on board (Support Fast page Mode & EDO DRAM)
Cache Subsystem	168-Pin SDRAM(DIMM) Socket X 2
I/O	<ul style="list-style-type: none"> <li>64-bit 256KB/512KB L2 Cache Memory on board</li> <li>Two high speed 16550 compatible serial ports, one Multi-Mode Parallel Port fixed SPP/EPP/ECP standard</li> <li>2 on board PCI IDE Ports(Mode3 or Mode4)</li> <li>Support two 360KB/720KB/1.2MB/1.44MB/2.88MB floppy disk drives and LS-120MB &amp; ZIP</li> <li>1 PS/2 Mouse port &amp; IrDA (115.2K BPS SIR)</li> <li>Universal Serial Bus port (USB).</li> <li>ULTRA DMA 33</li> </ul>
BIOS	<ul style="list-style-type: none"> <li>Award System BIOS installed in socket (Flash &amp; PnP)</li> </ul>
Expansion slot	FOUR PCI Master Slots & three 16-bit ISA Slots
Dimension	4-layer PCB, baby AT size (220mm x 250mm)
Others	Windows 95 Compatible

## Guide

### Board Layout Drawing



CPU Bus Frequency

	JP1	JP2	JP3
50MHZ	2-3	2-3	2-3
60MHz	1-2	1-2	2-3
66MHz	1-2	1-2	1-2
75MHz/S	1-2	2-3	1-2
<del>75MHz/A</del>	<del>2-3</del>	<del>2-3</del>	<del>1-2</del>
83.3MHz/S	2-3	1-2	2-3
<del>83.3MHz/A</del>	<del>1-2</del>	<del>2-3</del>	<del>2-3</del>

S : Synchronous

A : Asynchronous

CPU BUS RATIO

JP4			
1.5x	1-2	4-5	7-8
2x	2-3	4-5	7-8
2.5x	2-3	5-6	7-8
3x	1-2	5-6	7-8
3.5x	1-2	4-5	7-8

CPU VOLTAGE

Description	CPU	JP8	JP10
3.3v	Intel P54C CPU	3-4	1-2
3.45V	AMD K5 CPU	3-4	3-4
3.6V	CYRIX 6x86 / M1 CPU AMD K5 CPU	3-4	5-6
2.8/3.3V	CYRIX 6X86L/M2 INTEL P55C	1-2	1-2
2.9/3.3V	AMD K6 INTEL P55C	3-4	1-2
3.2/3.3V	AMD K6(233...) CPU	5-6	1-2



**QUICK to Setting for INTEL PENTIUM & AMD K5,K6 & CYRIX 6X86 M1/M2/L CPU CLK**

**A. INTEL PENTIUM P55C(MMX) & AMD K6 CPU**

Product Name	BUS CLK (MHZ)	JP1	JP2	JP3	Multiplier	JP4	JP4	JP4
INTEL(P55C)150	60	1-2	1-2	2-3	2.5X	2-3	5-6	7-8
INTEL(P55C)166 AMD K6-PR166	66	1-2	1-2	1-2	2.5X	2-3	5-6	7-8
INTEL(P55C)200 AMD K6-PR200	66	1-2	1-2	1-2	3X	1-2	5-6	7-8
INTEL(P55C)233 AMD K6-PR233	66	1-2	1-2	1-2	3.5X	1-2	4-5	7-8

**B. INTEL PENTIUM P54C & AMD 5K86(K5)**

Product Name	BUS CLK (MHZ)	JP1	JP2	JP3	Multiplier	JP4	JP4	JP4
PENTIUM-75/ AMD-5K86-P75	50	2-3	2-3	2-3	1.5X	1-2	4-5	7-8
PENTIUM-90/ AMD-5K86-P90	60	1-2	1-2	2-3	1.5X	1-2	4-5	7-8
PENTIUM-100/ AMD-5K86-P100	66	1-2	1-2	1-2	1.5X	1-2	4-5	7-8
PENTIUM-P120	60	1-2	1-2	2-3	2X	2-3	4-5	7-8
PENTIUM-133 AMD K5-PR133	66	1-2	1-2	1-2	2X	2-3	4-5	7-8
PENTIUM-150 AMD K5-PR150	60	1-2	1-2	2-3	2.5X	2-3	5-6	7-8
PENTIUM-166 AMD K5-PR166	66	1-2	1-2	1-2	2.5X	2-3	5-6	7-8
PENTIUM-180	60	1-2	1-2	2-3	3X	1-2	5-6	7-8
PENTIUM-200	66	1-2	1-2	1-2	3X	1-2	5-6	7-8

**C. CYRIX 6X86/L/M1 CPU**

Product Name	BUS CLK (MHZ)	JP1	JP2	JP3	Multiplier	JP4	JP4	JP4
6X86-P120+GP	50	2-3	2-3	2-3	2X	2-3	4-5	7-8
6X86-P150+GP	60	1-2	1-2	2-3	2X	2-3	4-5	7-8
6X86-P166+GP	66	1-2	1-2	1-2	2X	2-3	4-5	7-8
6X86-P200+GP	75/S	1-2	2-3	1-2	2X	2-3	4-5	7-8
<del>6X86-P200+GP</del>	<del>75/A</del>	<del>2-3</del>	<del>2-3</del>	<del>1-2</del>	<del>2X</del>	<del>2-3</del>	<del>4-5</del>	<del>7-8</del>

**D. CYRIX M2(MX) CPU**

**D. Cyrix 6X86 MX CPU For TX**

Product Name	CPU Speed	BUS CLK	JP1	JP2	JP3	Multiplie	JP4	JP4	JP4
6X86MX-PR166GP	150 MHz	60 MHz	1-2	1-2	2-3	2.5X	2-3	5-6	7-8
6X86MX-PR200GP	166 MHz	66 MHz	1-2	1-2	1-2	2.5X	2-3	5-6	7-8
6X86MX-PR233GP	188 MHz	75 MHz/S	1-2	2-3	1-2	2.5X	2-3	5-6	7-8
<del>6X86MX-PR233GP</del>	<del>188 MHz/A</del>	<del>75 MHz/A</del>	<del>2-3</del>	<del>2-3</del>	<del>1-2</del>	<del>2.5X</del>	<del>2-3</del>	<del>5-6</del>	<del>7-8</del>

S: Synchronous A: Asynchronous

**OTHER JUMPER SETTING**

**DIMM VOLTAGE**

JP9	5V	3.3V
	1-2&4-5	2-3&5-6

**BIOS Flash ROM Voltage Selector**

Description	JP7
5V NORMAL	2-3
12V RECOVERY	1-2

1 - 2 : 1 & 2 SHORT  
 2 - 3 : 2 & 3 SHORT

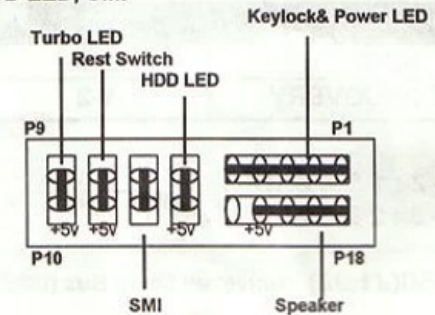
**USB1,USB0(J1,J2) - Universal Serial Bus (USB) Connector**

USB1 Pin	Signal Name	USB0 Pin	Signal Name
1	USB VCC 0	1	USB VCC 1
2	USB Data -	2	USB Data -
3	USB Data +	3	USB Data +
4	USB GND 0	4	USB GND 1

**J6- Infrared Connector: IR**

Pin	Signal Name
1	IRRXA
2	GND
3	IRTXA
4	VCC

**JP12 Keylock & Power LED, Speaker, Rest, Turbo LED  
 HDD LED, SMI**



Pin	Description
1	Power LED(+)
2	NC
3	GND
4	Keylock
5	GND