

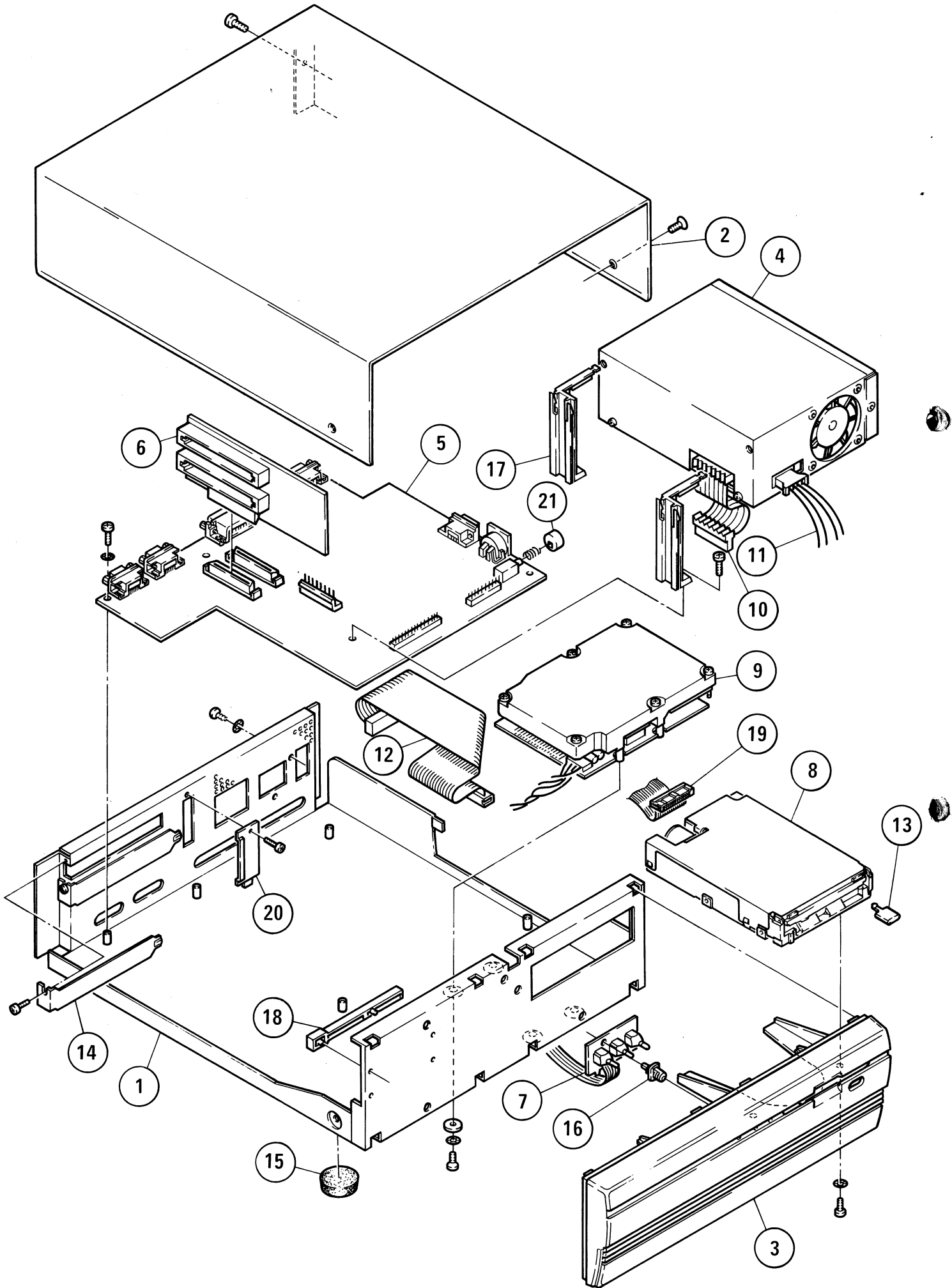


**SYSTEMEINHEIT**  
**EURO XT**

Ident-Nr.: 43489



# Exploded view



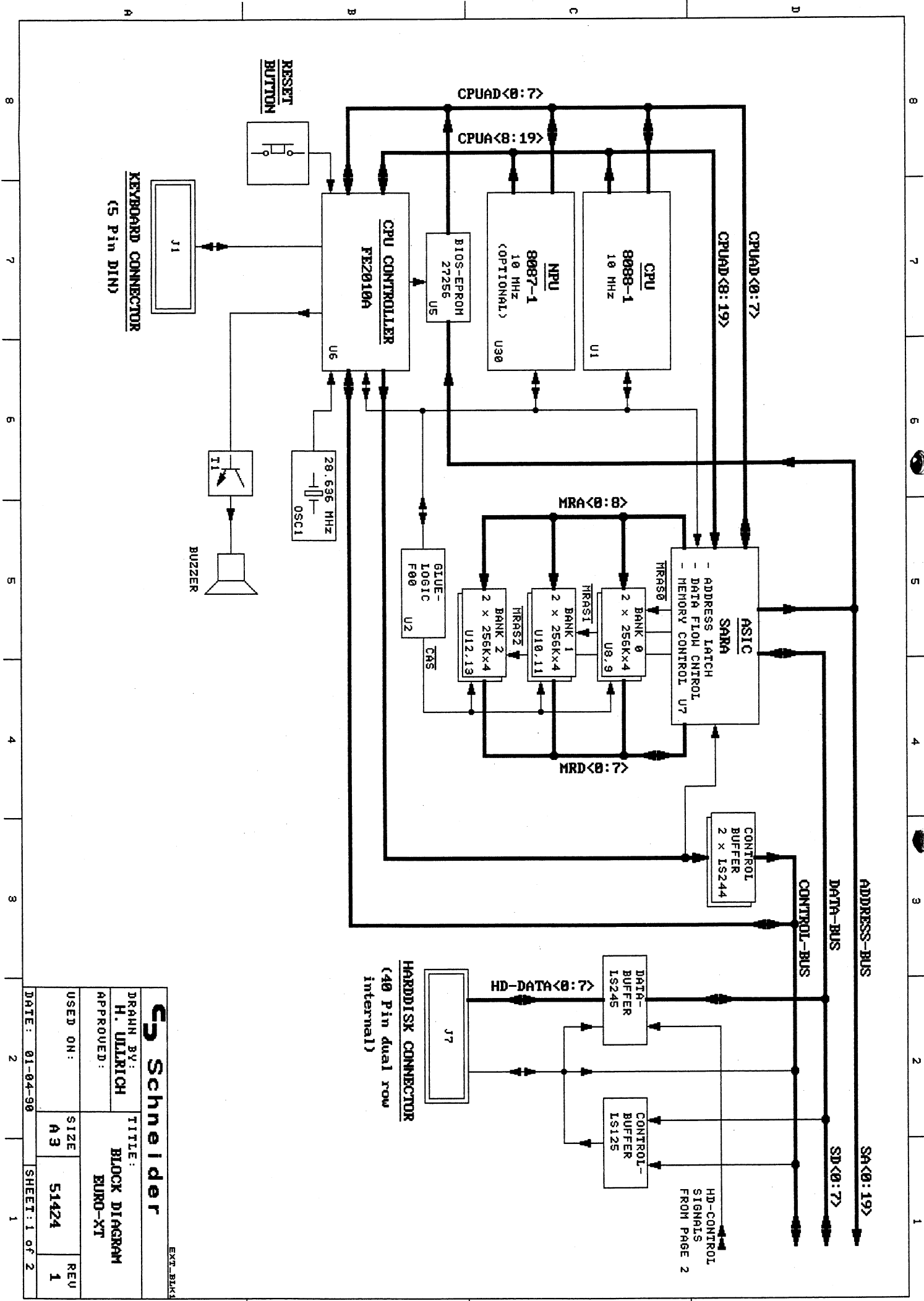
Ersatzteilliste für Systemeinheit Euro XT  
Parts List for System Unit Euro XT

Best.-Nr. Part.-No.	Bezeichnung	Description	Zeich.-Pos. Ref.-No.	Preisgruppe
51 451 00	Styropor Euro XT/AT	Polyfoam		C 1
51 452 00	Faltkarton Euro XT/AT	Gift box		C 0
51 254 00	Gehäuseunterteil	Cabinet, bottom	1	D 4
51 257 00	Gehäuseoberteil	Cabinet, top	2	D 2
51 454 00	Frontblende	Front, mask	3	C 3
51 446 00	Netzteil Euro XT	Power supply	4	F 8
51 424 00	Platine CPU	P.C.B. CPU	5	J 9
51 427 00	Platine Steckplatz	P.C.B. slot	6	D 3
51 609 00	Platine LED	P.C.B. LED	7	C 2
50 472 00	Floppylaufwerk	Floppy disk drive	8	F 8
51 455 00	HD-Laufwerk	Hard disk drive	9	J 2
51 430 00	Verbindungskabel, Netz-CPU	Cabel, connection	10	B 3
51 458 00	Adapterkabel HD 4pol.	Cabel, adapter	11	B 4
51 444 00	HD-Kabel	Cabel, HDD	12	C 0
50 056 00	Druckknopf für FDD (Toshiba)	Push-button, FDD (Toshiba)	13	A 5
50 294 00	Druckknopf für FDD (Sony)	Push-button, FDD (Sony)	13	A 5
50 020 00	Blindblech	Plate, blind	14	A 7
51 456 00	Gehäusefuß	Leg, cabinet	15	A 4
51 457 00	Platinenhalter	Holder	16	A 3
51 262 00	Führungsschiene Steckplatz	Guide rail, slot	17	A 6
50 865 00	Führungsschiene Steckkarte	Guide rail, socket card	18	A 6
51 443 00	Kabelbaum FDD	Cord, FDD	19	B 6
51 266 00	Abdeckung	Cover	20	A 5
51 630 00	Druckknopf RESET	Push-button, RESET	21	A 6
51 750 00	Tastatur (D)	Keyboard (D)		F 6
51 751 00	Tastatur (GB)	Keyboard (GB)		F 6
51 752 00	Tastatur (F) Dual	Keyboard (F) Dual		F 6
51 753 00	Tastatur (F)	Keyboard (F)		F 6
51 754 00	Tastatur (E)	Keyboard (E)		F 6
51 755 00	Tastatur (CH)	Keyboard (CH)		F 6
51 756 00	Tastatur (DK)	Keyboard (DK)		F 6
51 757 00	Tastatur (I)	Keyboard (I)		F 6
51 758 00	Tastatur (N)	Keyboard (N)		F 6
51 759 00	Tastatur (S/SF)	Keyboard (S/SF)		F 6
51 760 00	Tastatur (P)	Keyboard (P)		F 6
51 761 00	Tastatur (GR)	Keyboard (GR)		F 6

**Note:** All spare parts with countryindex are reserved for foreign distributors only.

All 3.5" and 5.25" floppydisks must be replaced by new ones. Schneider passes no exchange price to the distributor or dealer.

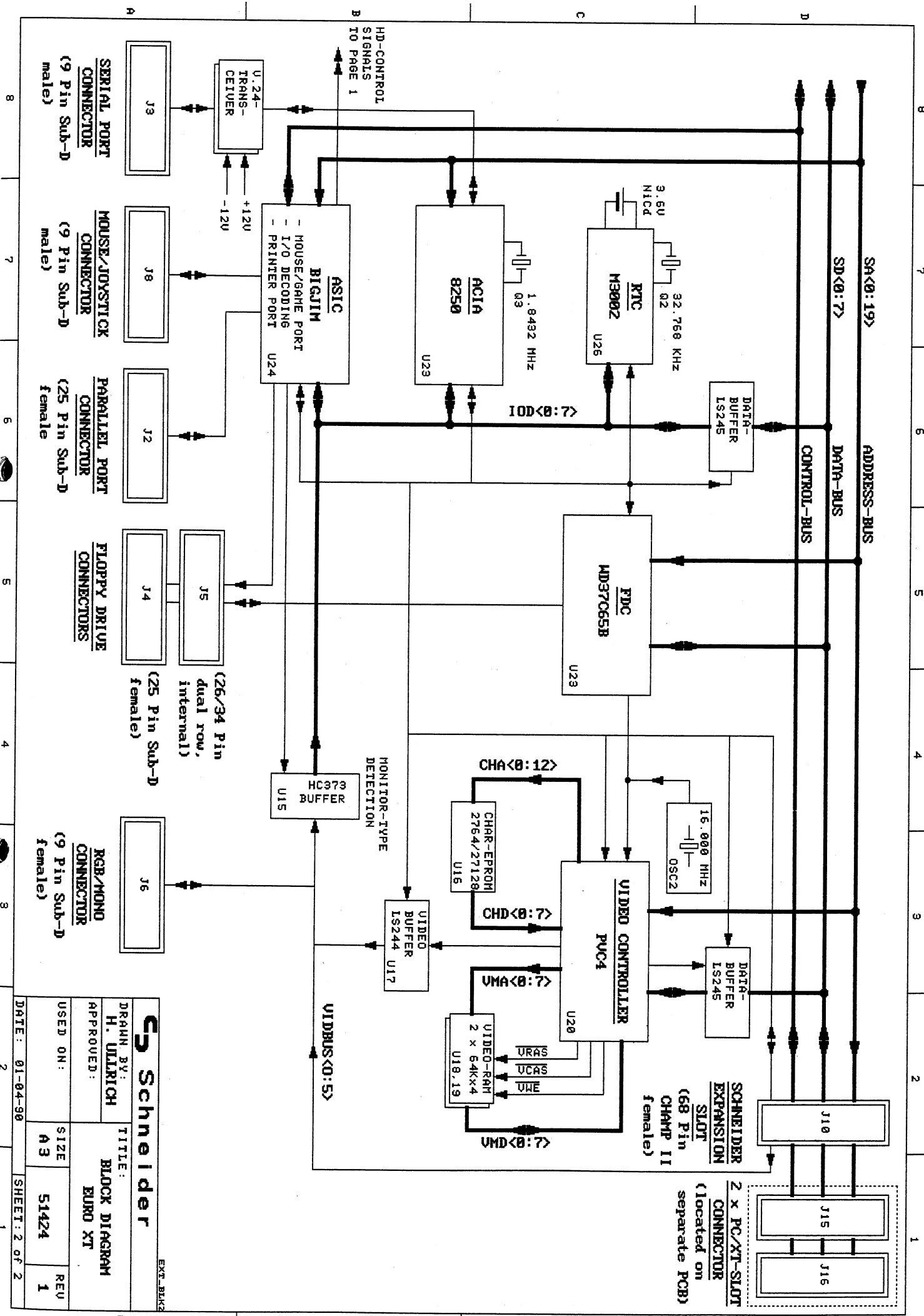




HARDDISK CONNECTOR  
(40 Pin dual row  
internal)

KEYBOARD CONNECTOR  
(5 Pin DIN)

<b>Schneider</b>		EXT. BK13	
DRAWN BY: H. ULLRICH		TITLE: BLOCK DIAGRAM	
APPROVED:		BUREAU-XT	
USED ON:	SIZE	51424	REV
A3	1		
DATE: 01-04-90	SHEET: 1 of 2		



**Schneider** EXT. BLOCK

DR. BY: H. ULTRICH  
 APPROVED: [Signature]  
 TITLE: BLOCK DIAGRAM EURO XT

USED ON: SIZE A3  
 DATE: 01-04-90 SHEET: 2 of 2

REV 1  
 51424

**PARTS USED:**

Ref. U	Ref. R	Ref. R	Ref. C	Ref. C	Ref. FN	Ref. T	Misc.
1	1	63	1	100	1	1	OSC 1
2	2	64	2	101	2	2	OSC 2
3	3	65	3	102	3	3	OSC 3
4	4	66	4	103	4	4	
5	5	67	5	104	5	5	
6	6	68	6	105	6	6	
7	7		7	106	7	7	0 1
8	8		8	107	8	8	0 2
9	9		9	108	9	9	0 3
10	10		10	109	10	10	
11	11		11	110	11	11	
12	12		12	111	12	12	
13	13		13	112	13	13	
14	14		14	113			
15	15		15	114			SH 1
16	16		16	115			
17	17		17	116			
18	18		18	117			
19	19		19	118			
20	20		20	119			LS 1
21	21		21	120			
22	22		22	121			
23	23		23	122			
24	24		24	123			
25	25		25	124			
26	26		26	125			
27	27		27	126			
28	28		28	127			
29	29		29	128			
30	30		30	129			
31	31		31	130			
				131			
				132			
				133			
				134			
				135			
				136			
				137			
				138			
				139			
				140			
				141			
				142			
				143			
				144			
				145			
				146			
				147			
				148			
				149			
				150			
				151			
				152			
				153			
				154			
				155			
				156			
				157			
				158			
				159			
				160			
				161			
				162			

**REVISIONS**

LTR	DESCRIPTION	DATE	APPROVED
1	ADVANCED ENGINEERING RELEASE	04-17-89	
2	FIRST LAYOUT	07-25-89	
3	PRODUKTION LAYOUT	08-07-89	
4	CHANGED FLOPPY-SELECT LINES ADDED FILTERS ON KEYBOARDLINES	10-06-89	

**DRAWING FILES:**

EXT4_1.DWG	THIS SHEET
EXT4_2.DWG	PROCESSOR, SARA
EXT4_3.DWG	FE2010A SECTION
EXT4_4.DWG	768 KB MAIN RAM
EXT4_5.DWG	ASIC 'BIGJIT'
EXT4_6.DWG	FLOPPY INTERFACE
EXT4_7.DWG	HARDISK INTERFACE
EXT4_8.DWG	SERIAL INTERFACE
EXT4_9.DWG	REAL TIME CLOCK
EXT4_10.DWG	PUC4 VIDEO CONTROLLER
EXT4_11.DWG	VIDEO RAM, CHAR. ROM
EXT4_12.DWG	KEYBOARD INTERFACE
EXT4_13.DWG	CONNECTORS I
EXT4_14.DWG	CONNECTORS II
EXT4_15.DWG	CONNECTORS III
EXT4_16.DWG	VGA ERWEITERUNGSSLOT
EXT4_17.DWG	JOYSTICK INTERFACE
EXT4_18.DWG	BLOCK CAPS
EXT4_19.dwg	BUS-BOARD MAIN CONNECTOR
EXT4_20.dwg	BUS-BOARD SLOT-1
EXT4_21.dwg	BUS-BOARD SLOT-2
EXT4_22.dwg	BUS-BOARD PWR. LED PANEL

**CONTENTS:**

THIS SHEET
PROCESSOR, SARA
FE2010A SECTION
768 KB MAIN RAM
ASIC 'BIGJIT'
FLOPPY INTERFACE
HARDISK INTERFACE
SERIAL INTERFACE
REAL TIME CLOCK
PUC4 VIDEO CONTROLLER
VIDEO RAM, CHAR. ROM
KEYBOARD INTERFACE
CONNECTORS I
CONNECTORS II
CONNECTORS III
VGA ERWEITERUNGSSLOT
JOYSTICK INTERFACE
BLOCK CAPS
BUS-BOARD MAIN CONNECTOR
BUS-BOARD SLOT-1
BUS-BOARD SLOT-2
BUS-BOARD PWR. LED PANEL

**Schneider** EXT4-1

DRAWN BY: M. HEFELE  
 APPROVED: \_\_\_\_\_  
 TITLE: SCHEMATIC EURO-XT

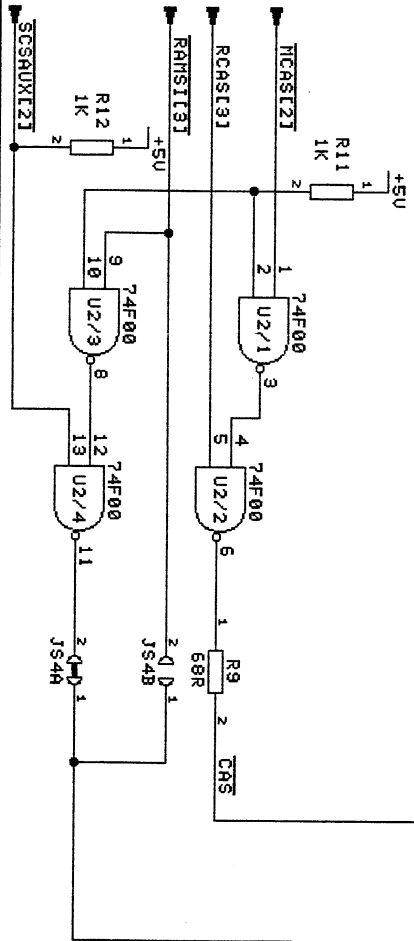
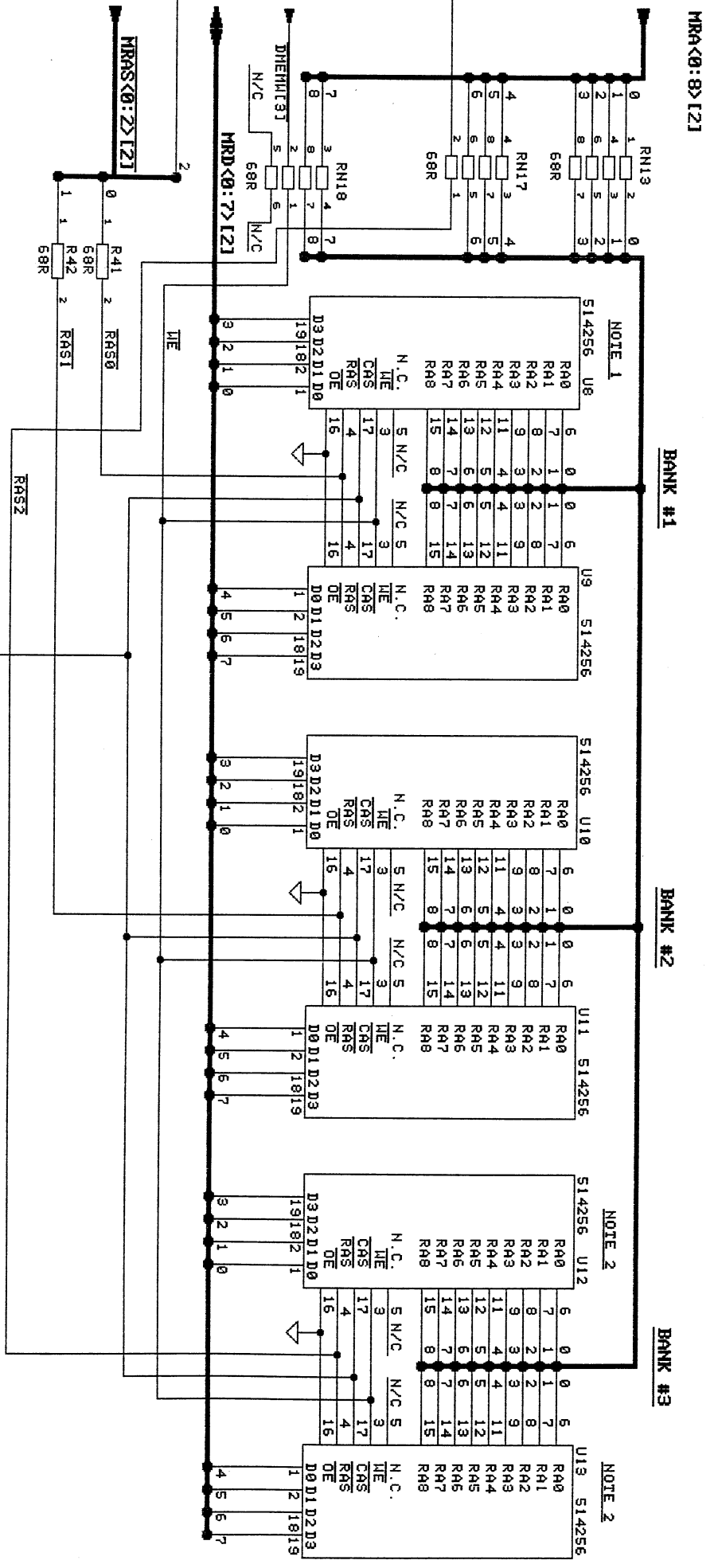
USED ON: Euro-XT  
 SIZE: A3  
 DATE: 11-27-89  
 SHEET: 1 of 22

51424 REV 4





512K (768K) MAIN RAM



- NOTES:  
 1) REQUIRED DRAM RAS-ACCESS TIME:  
 100ns OR LESS  
 2) SOCKETS PROVIDED FOR BANK#3 (U12, U13)

**Schneider** EXT4-4

DRAWN BY: M. HEFELE  
 APPROVED: \_\_\_\_\_

TITLE: SCHEMATIC  
 EURO-XT

USED ON: SIZE A3  
 DATE: 10-06-89 SHEET: 4 of 22

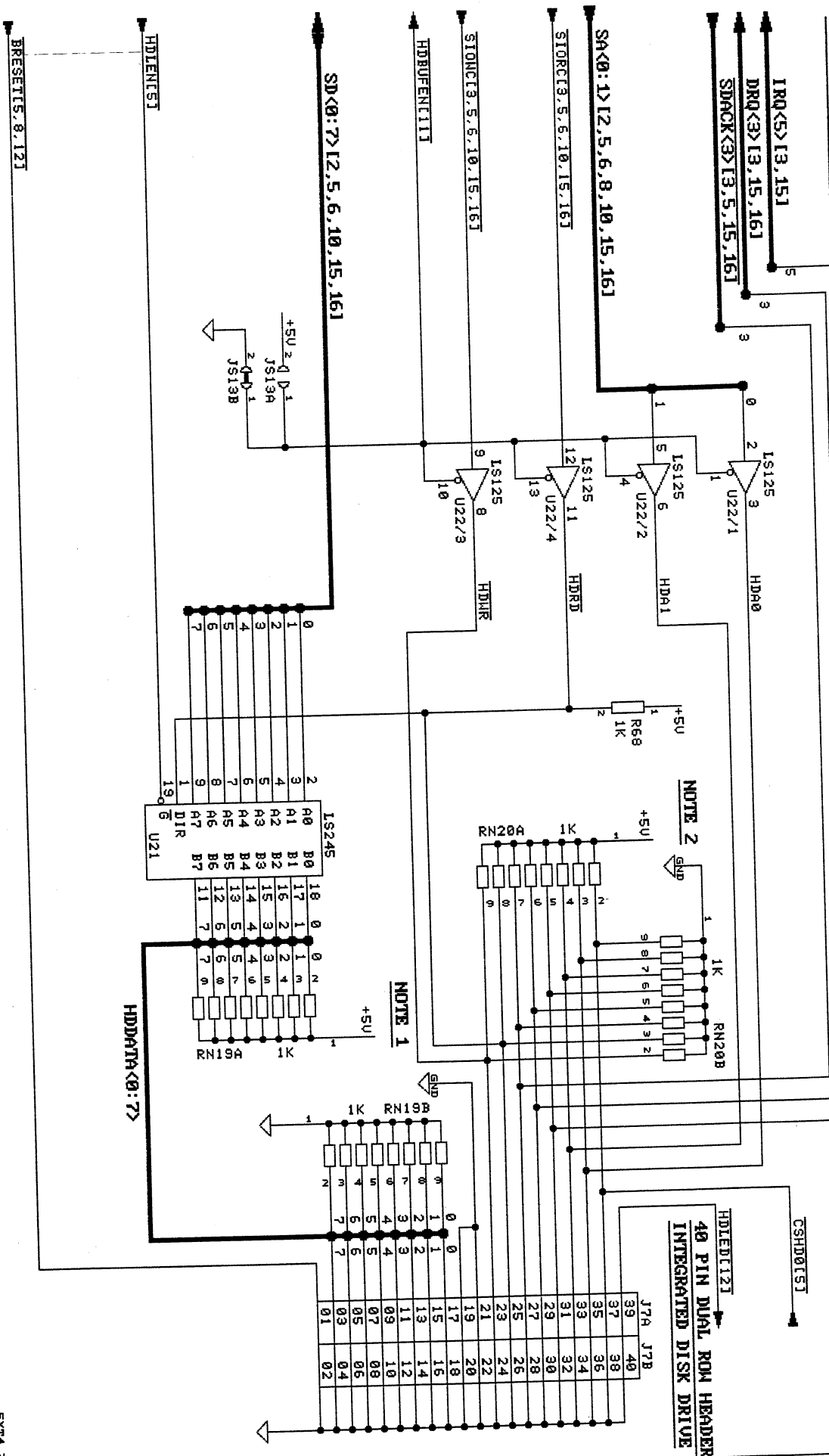
REV 4







**HARDDISK-INTERFACE**



- NOTES:
- 1) RN19A and RN19B can not be mounted simultaneously because they use the same holes
  - 2) R20A and RN20B can not be mounted simultaneously because they use the same holes

**Schneider** EXT4.7

DRAMA BY: M. HEFELLE  
 APPROVED: \_\_\_\_\_  
 TITLE: SCHEMATIC EURO-XT

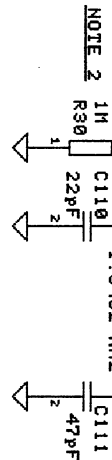
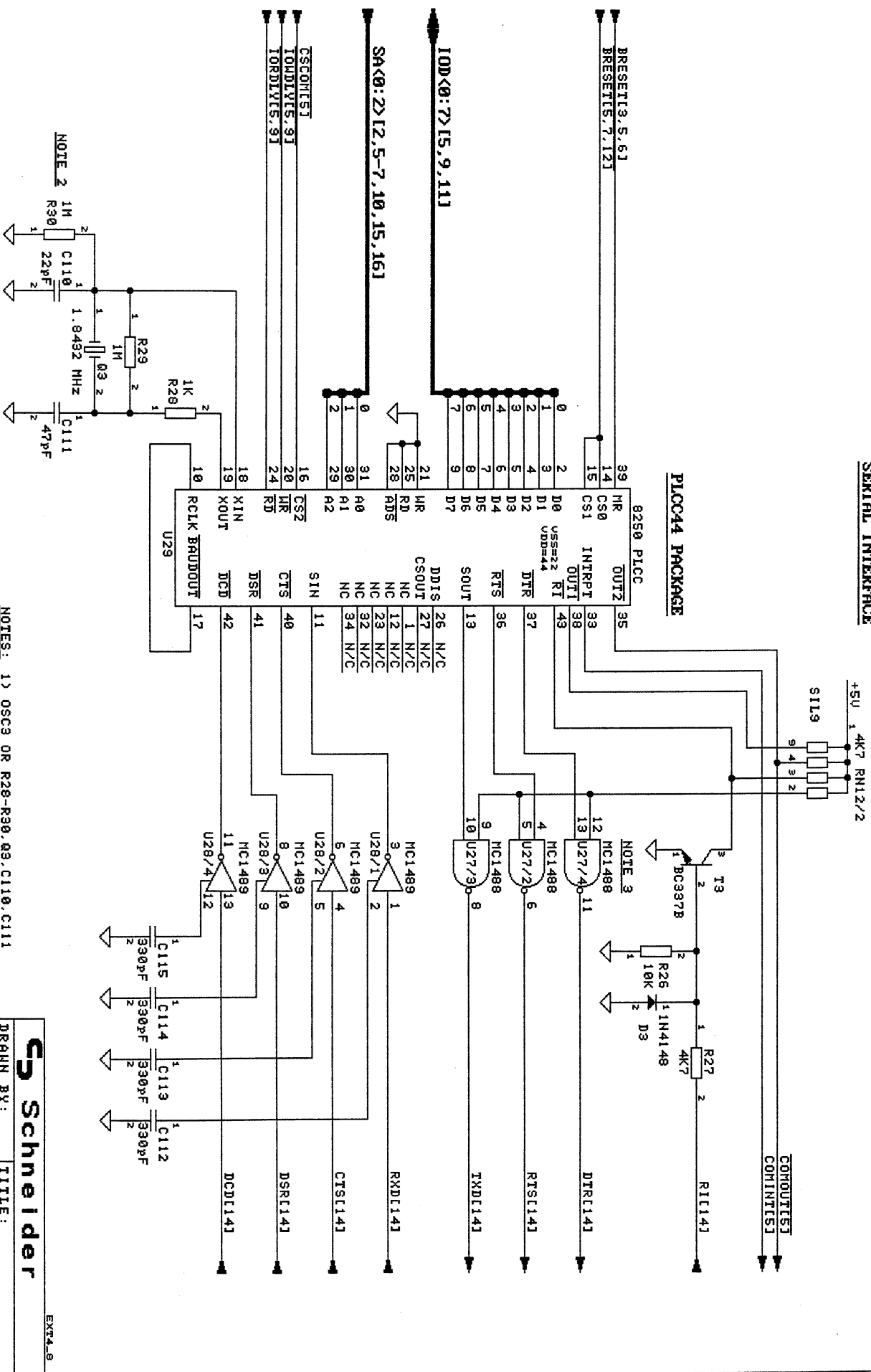
USED ON: SIZE A3  
 Euro-XT 51424 REV 4

DATE: 10-06-89 SHEET: 7 of 22

8 7 6 5 4 3 2 1

**SERIAL INTERFACE**

**PLCC44 PACKAGE**



**NOTES:** 1) OSC3 OR R28-R30, C110, C111 ASSEMBLED ALTERNATIVELY  
 2) R30 ASSEMBLED ONLY IF REQUIRED  
 3) U27 HAS SPECIAL POWER PINS:  
 +12V = PIN 14  
 -12V = PIN 1  
 GND = PIN 7

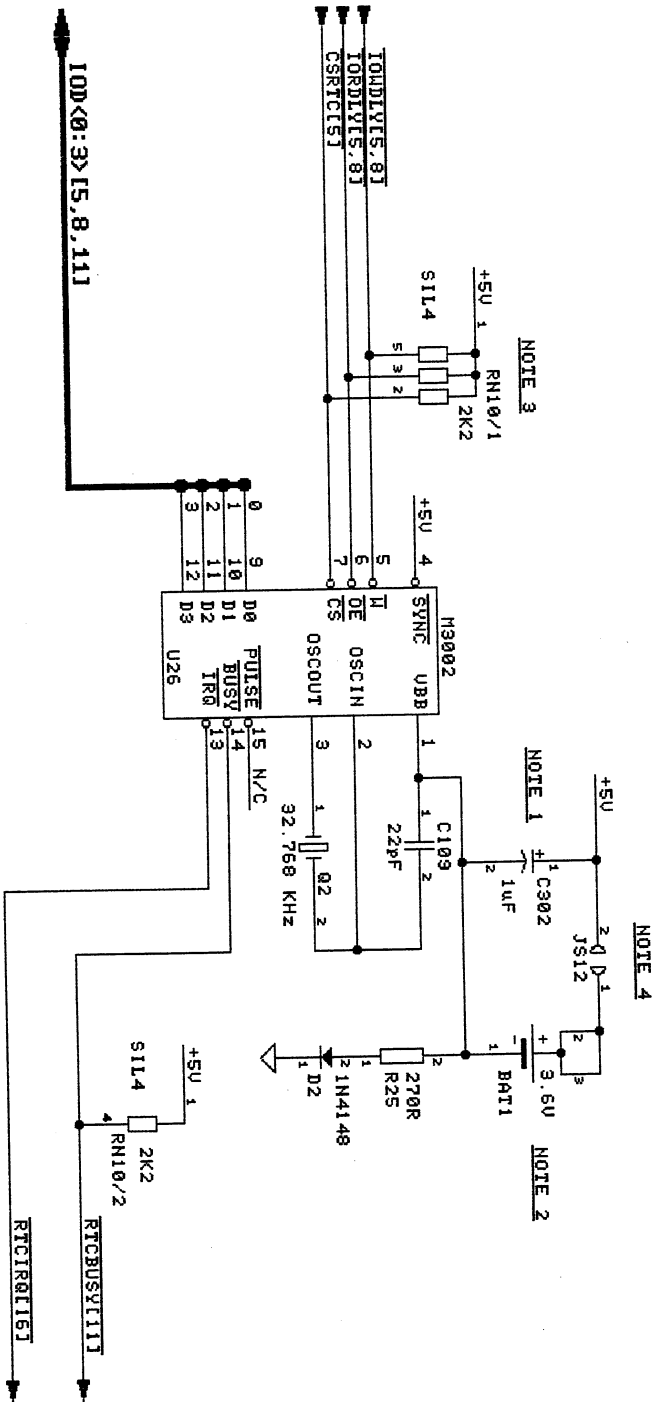
**Schneider**

DRAWN BY: M. HERPPE  
 TITLE: SCHEMATIC  
 APPROVED: BURD-XT

USED ON: SIZE 51424 REV 4  
 Euro-XT A3

DATE: 10-06-89 SHEET: 8 of 22

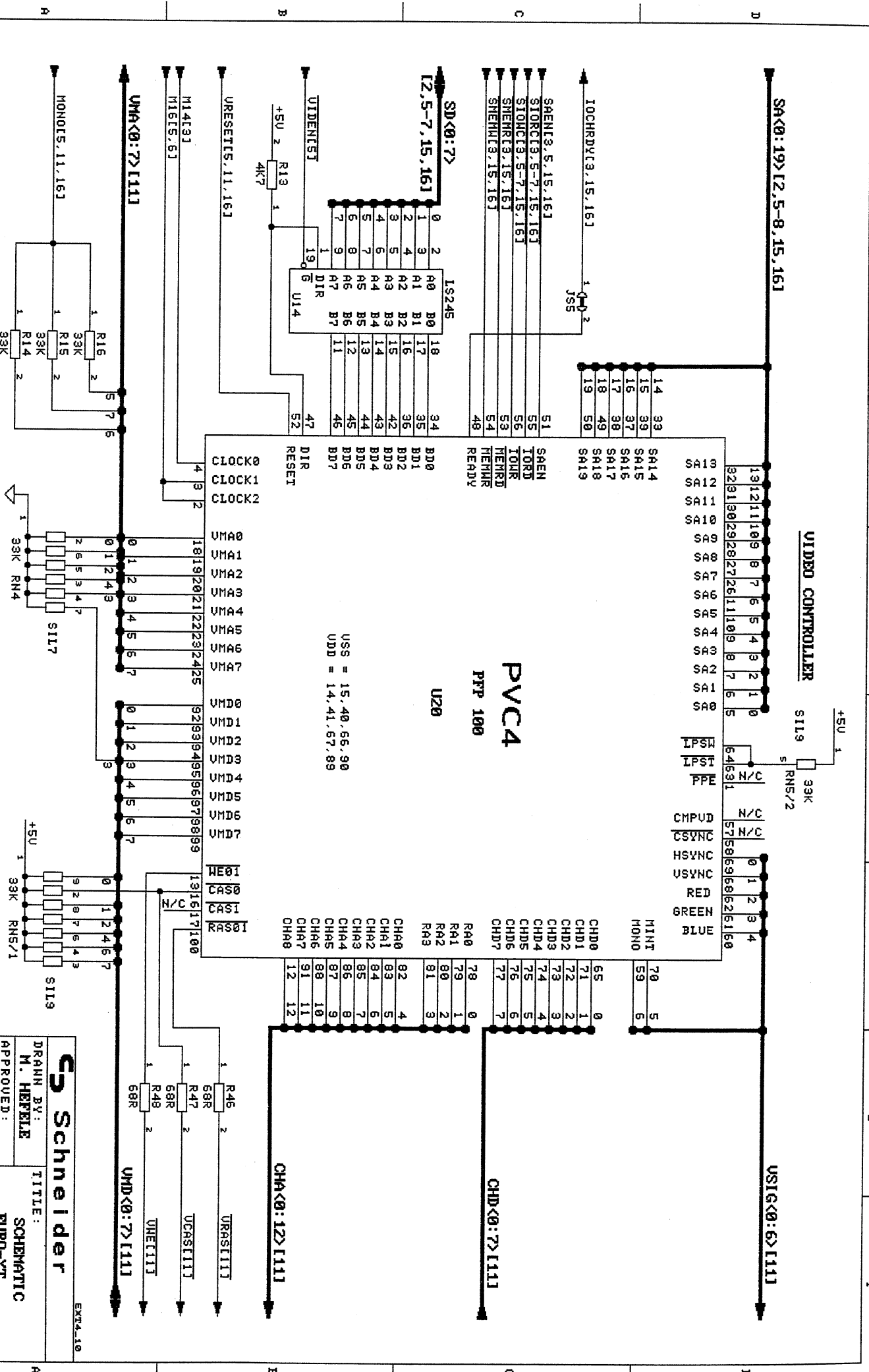
**REAL TIME CLOCK**



- NOTES:**
- 1) C302 IS A TANTALUM TYPE
  - IT IS ONLY ASSEMBLED IF REQUIRED.
  - 2) BAT1 IS A NICKEL ACCU WITH 60MAH CAPACITY
  - 3) RN10 ONLY ASSEMBLED IF REQUIRED
  - 4) JS12 MUST BE CLOSED AFTER ASSEMBLY OF BAT1

**Schneider** EXT4.9

DRAMA BY: M. HEFFLE  
 APPROVED: \_\_\_\_\_  
 TITLE: SCHEMATIC EURO-XT  
 USED ON: SIZE A3  
 EURO-XT 51424  
 DATE: 10-06-89 SHEET: 9 OF 22  
 REV 4



NOTE 1

NOTES: 1) R14 not assembled

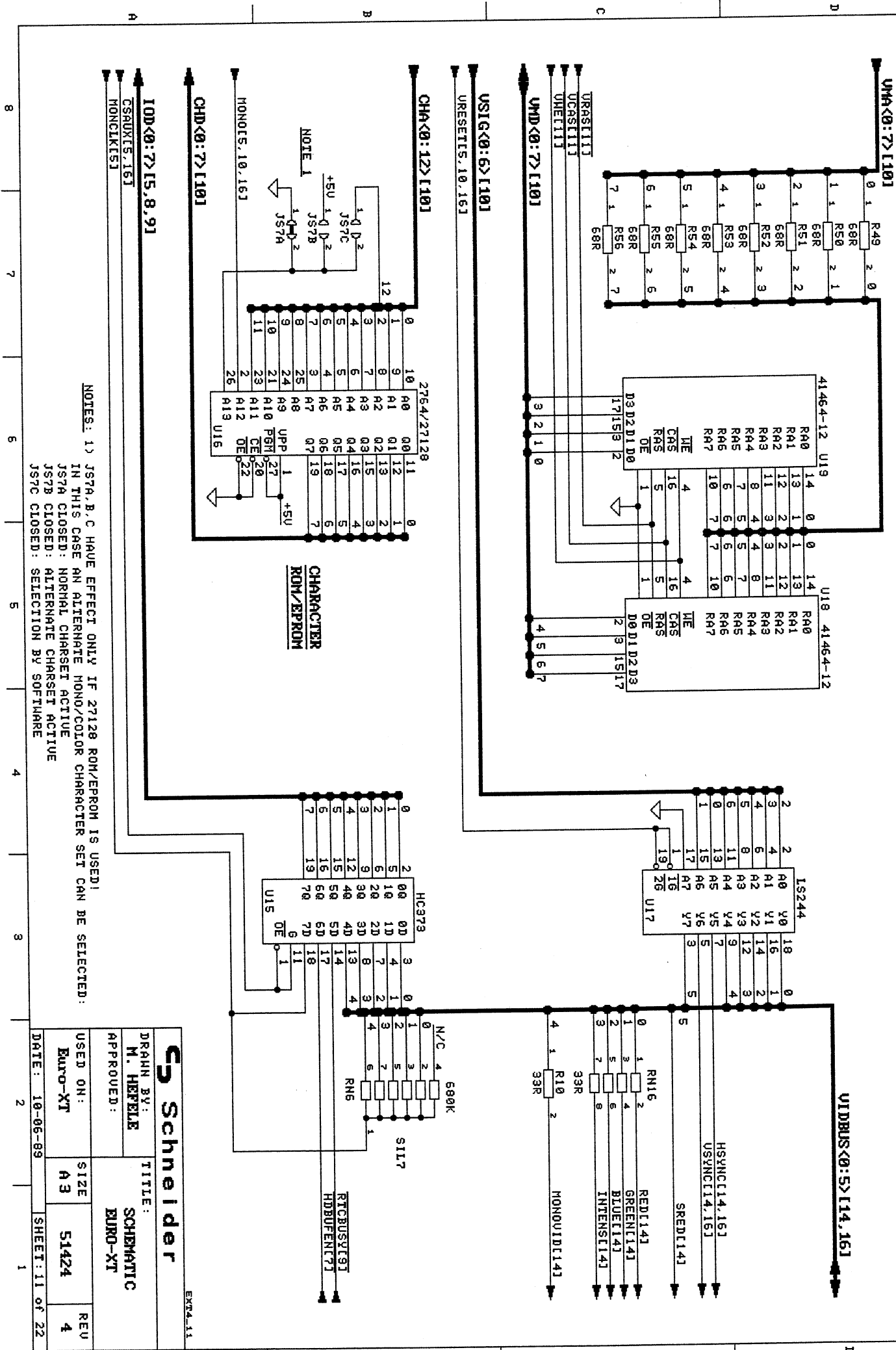
**Schneider** EXTRA.10

DRAWN BY: M. HEFFELE  
 APPROVED: \_\_\_\_\_  
 TITLE: SCHEMATIC EURO-XT

USED ON: SIZE A3 51424 REV 4  
 Euro-XT

DATE: 10-06-89 SHEET: 10 OF 22

VIDEO RAM, CHARACTER EPROM, VIDEO BUFFER



NOTES: 1) JS7A, B, C HAVE EFFECT ONLY IF 27128 ROM/EPROM IS USED!  
 IN THIS CASE AN ALTERNATE MONO/COLOR CHARACTER SET CAN BE SELECTED:  
 JS7A CLOSED: NORMAL CHARSET ACTIVE  
 JS7B CLOSED: ALTERNATE CHARSET ACTIVE  
 JS7C CLOSED: SELECTION BY SOFTWARE

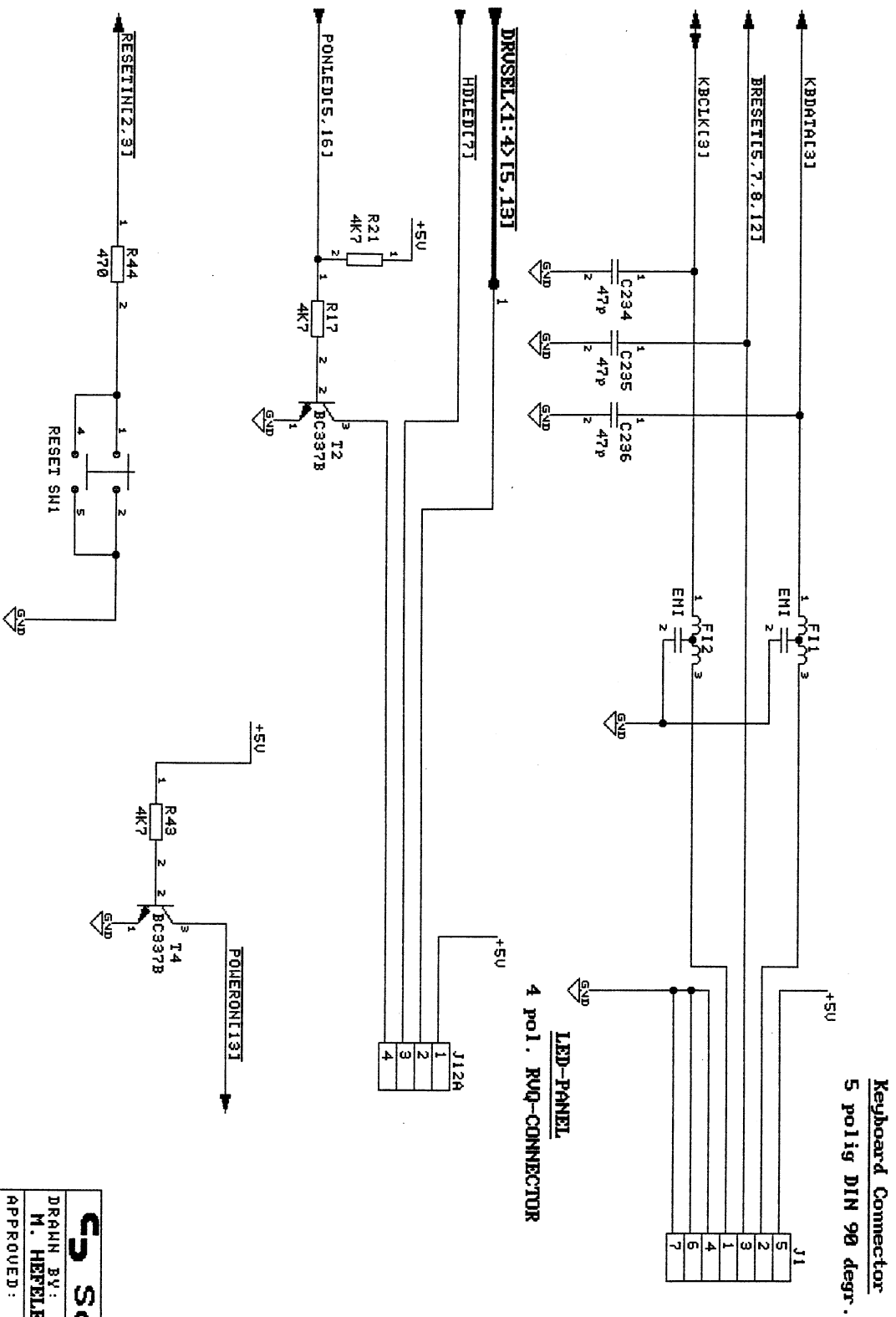
**Schneider**

DRÄHN BY: M. HEPELE  
 APPROVED: SCHEMATIC EURO-XT

USED ON: EURO-XT  
 SIZE: A3  
 SHEET: 11 of 22

DATE: 10-06-89  
 SHEET: 11 of 22

**KEYBOARD INTERFACE , RESET BUTTON, POWER-LED, HDU-LED**



Keyboard Connector  
5 pinig DIN 90 degr.

LED-PANEL  
4 pin. RVQ-CONNECTOR

**Schneider**  
XT4-12

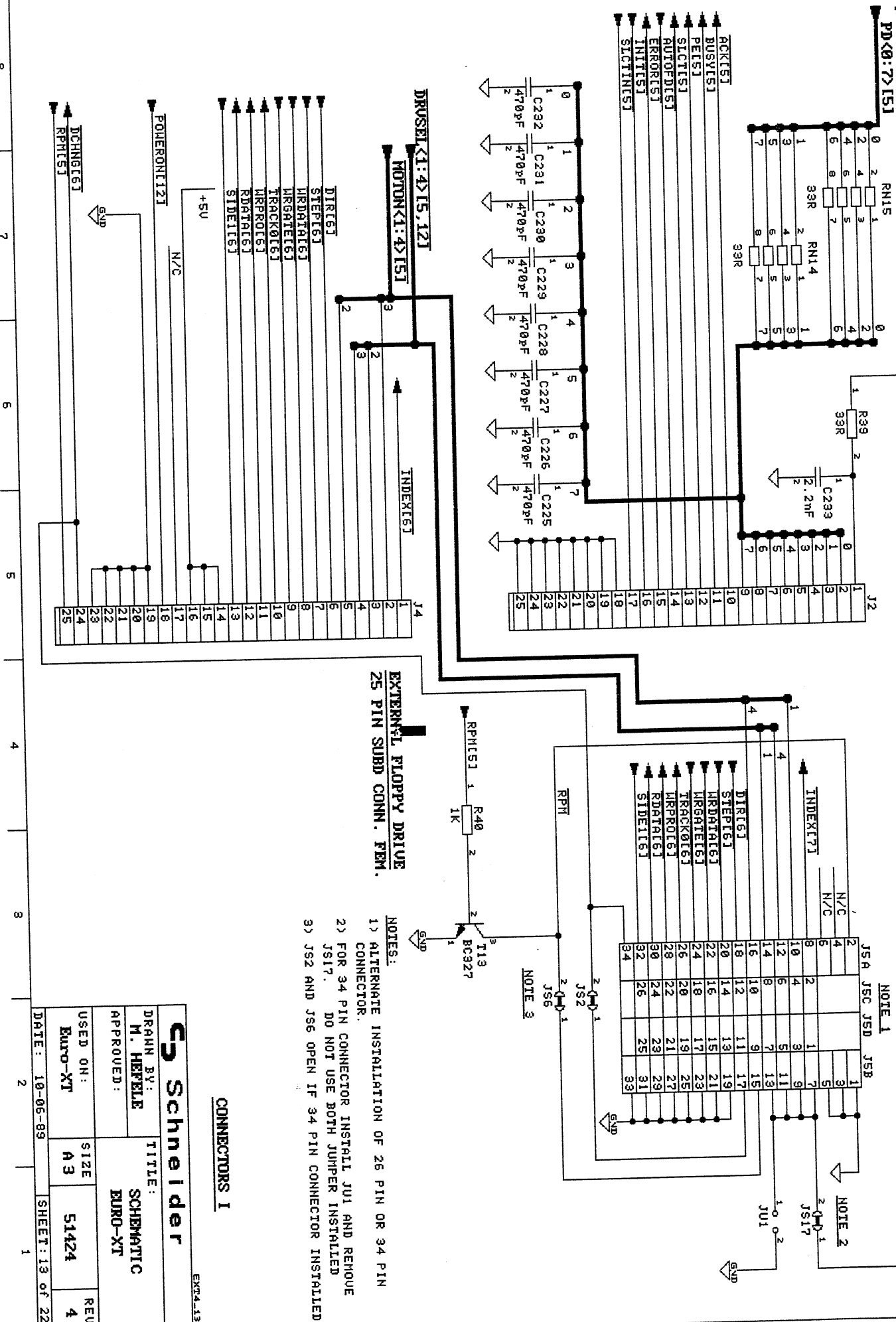
DRAWN BY: M. HEFFELE  
APPROVED: TITLE: SCHEMATIC EURO-XT

USED ON: Euro-XT  
SIZE: A3  
REV: 4

DATE: 10-06-89  
SHEET: 12 of 22

PARALLEL PORT  
25 PIN SUBD CONN. FEM.

INTERNAL FLOPPY DRIVE  
HEADER ASSY DUAL ROM 34/26 PIN



EXTERNAL FLOPPY DRIVE  
25 PIN SUBD CONN. FEM.

- NOTES:
- 1) ALTERNATE INSTALLATION OF 26 PIN OR 34 PIN CONNECTOR.
  - 2) FOR 34 PIN CONNECTOR INSTALL J61 AND REMOVE JS17. DO NOT USE BOTH JUMPER INSTALLED
  - 3) JS2 AND JS6 OPEN IF 34 PIN CONNECTOR INSTALLED

CONNECTORS I

**Schneider** EXT4.13

DRAWN BY: M. HERBLE  
APPROVED: [Signature]

TITLE: SCHEMATIC  
EURO-XT

USED ON: EURO-XT  
SIZE: A3  
SHEET: 13 OF 22

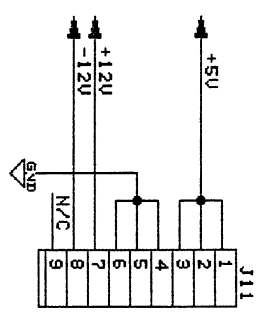
DATE: 10-05-89

REV: 4

8 7 6 5 4 3 2 1

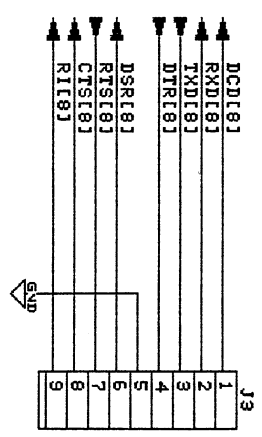
**POWER INPUT**

9 pol. single row  
3.96 spacing



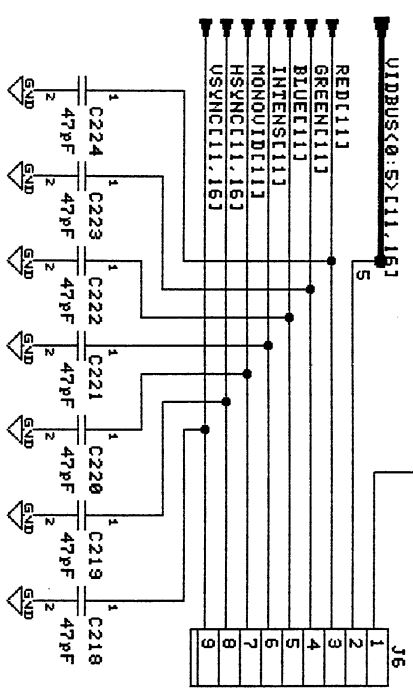
**SERIAL PORT**

9 PIN SUBD CONN. MALE

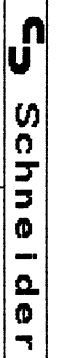


**VIDEO MONO/RGB**

9 PIN SUBD CONN. FEMALE



**CONNECTORS II**



EXT4-14

**DRANN BY:**  
M. HERFEL

**TITLE:**  
SCHEMATIC

**APPROVED:**  
EUDR-XT

**USED ON:**  
Euro-XT

**SIZE:**  
A3

**DATE:**  
10-06-89

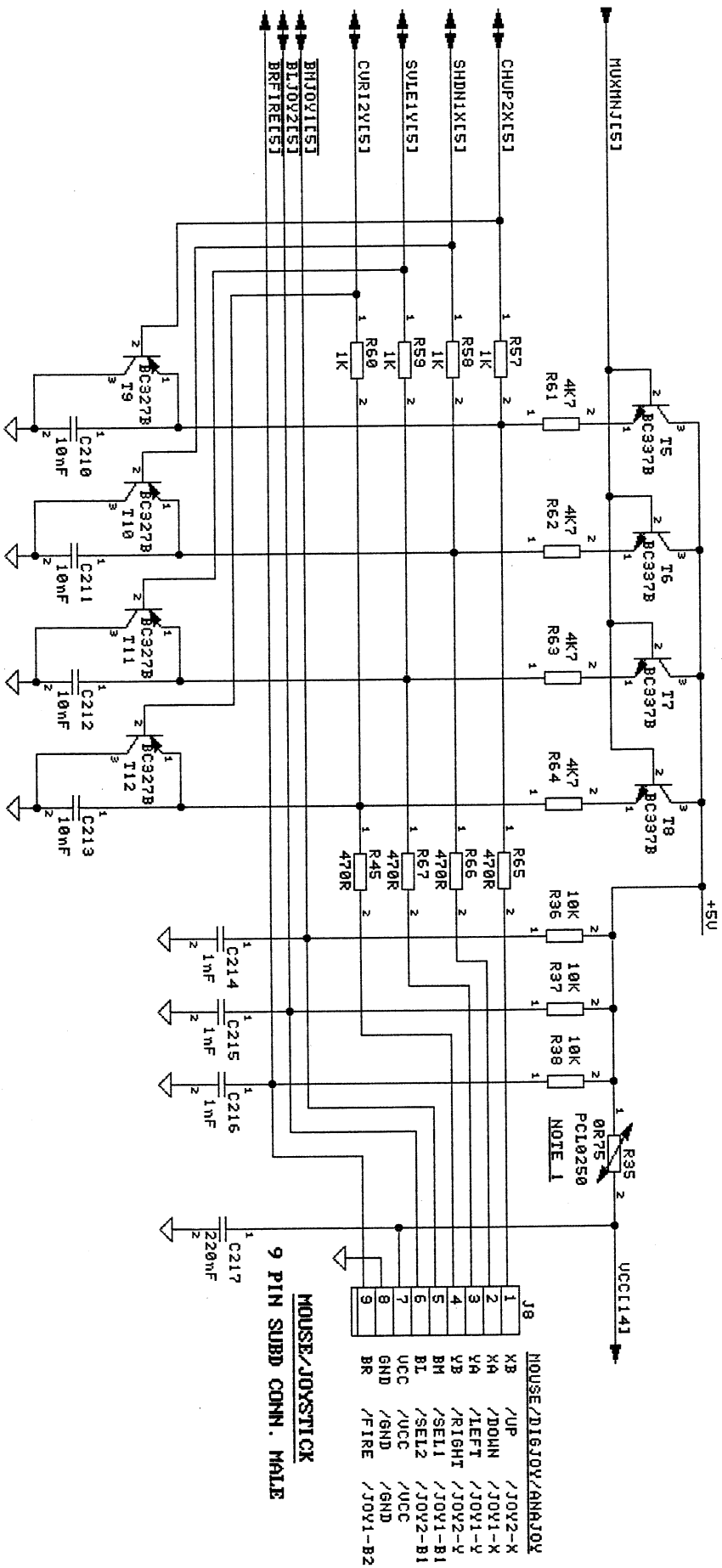
**SHEET:**  
14 of 22

**REV:**  
4







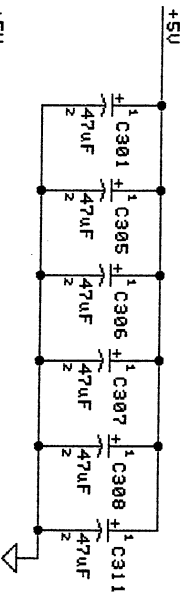


NOTES: 1) R35 IS A PTC RESISTOR FOR CURRENT LIMITATION

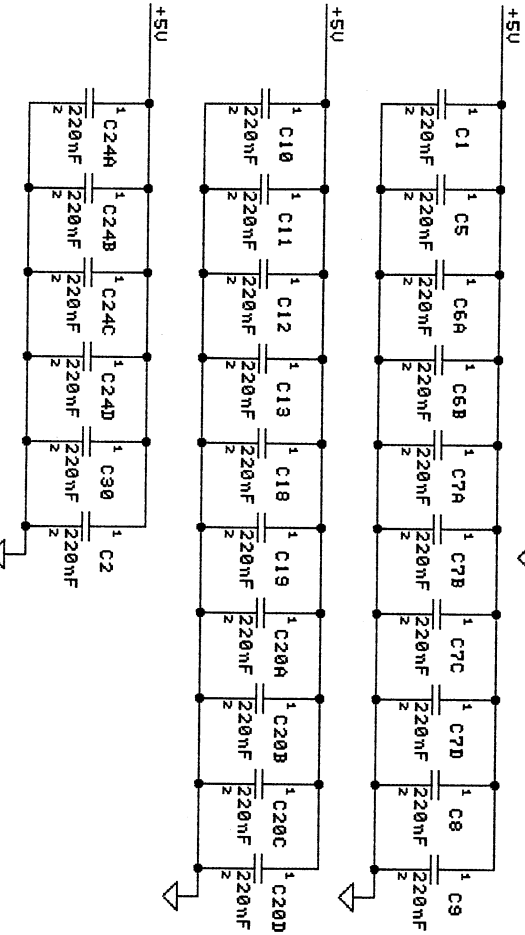
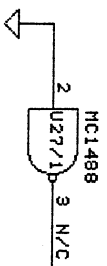
**JOYSTICK INTERFACE**

<b>Schneider</b>		TITLE: SCHEMATIC	
DRAWN BY: M. HERFEL		APPROVED: EURO-XT	
USED ON: EURO-XT	SIZE: A3	51424	REV 4
DATE: 10-06-89	SHEET: 17 of 22		

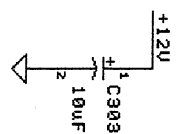
**BLOCK CAPS +5V:**  
 9 x 47uF/16V  
 26 x 0.22uF  
 12 x 0.1uF



**SPARE GATES:**



**BLOCK CAPS +12V**  
 10uF/25V



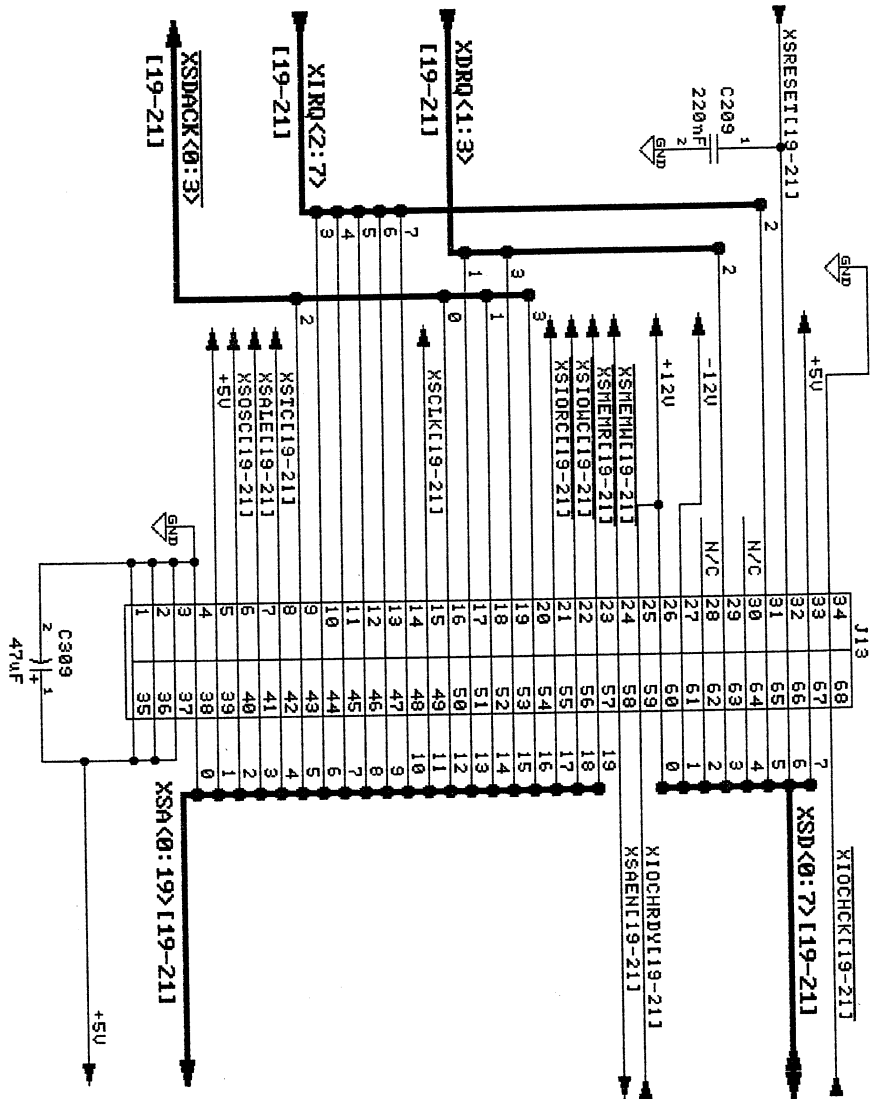
**BLOCK CAPS, SPARE GATES**



NOTE: BLOCK CAPS ONLY ASSEMBLED IF REQUIRED

<b>Schneider</b>		EXTRA-18	
DRAWN BY: M. HEFELÉ	TITLE: SCHEMATIC	EURO-XT	
APPROVED:	USED ON: Euro-XT	SIZE A3	REV 4
DATE: 10-06-89	SHEET: 18 OF 22		

EXPANSION-PCB  
68 PIN CHAMP II CONNECTOR MALE 90 DEG.

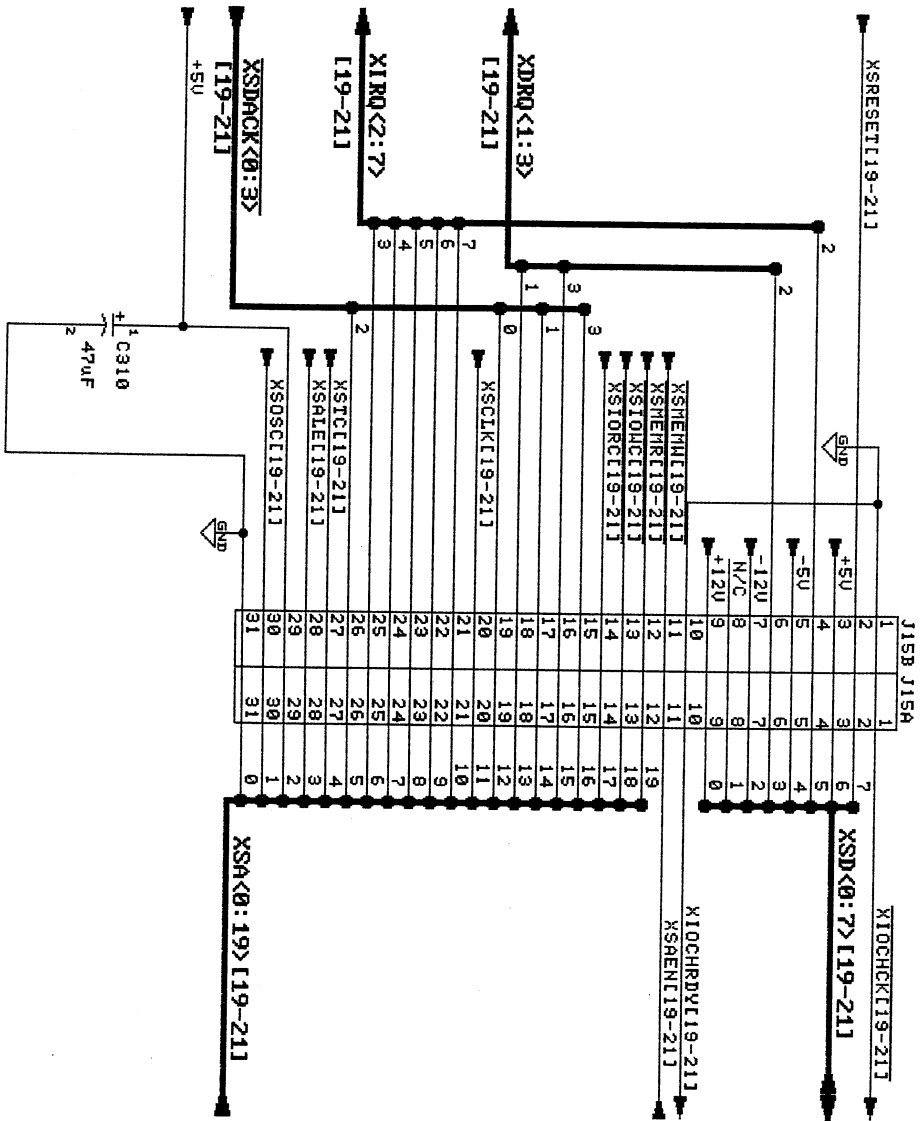


EXPANSION PCB-1

**Schneider**

DRAWN BY: M. HEFFELE		TITLE: SCHEMATIC	
APPROVED:		EURO-XT	
USED ON: Euro-XT	SIZE A3	51428	REV 4
DATE: 10-06-89	SHEET: 19 of 22		

EXPANSION-SLOT  
62 PIN CARTRIDGE CONN.



EXPANSION SLOT 1

**Schneider**

EXTRA-20

DRAWN BY:  
M. HERFEL

TITLE:  
SCHEMATIC  
EURO-XT

APPROVED:

SCHEMATIC  
EURO-XT

USED ON:

EURO-XT

SIZE

A3

51428

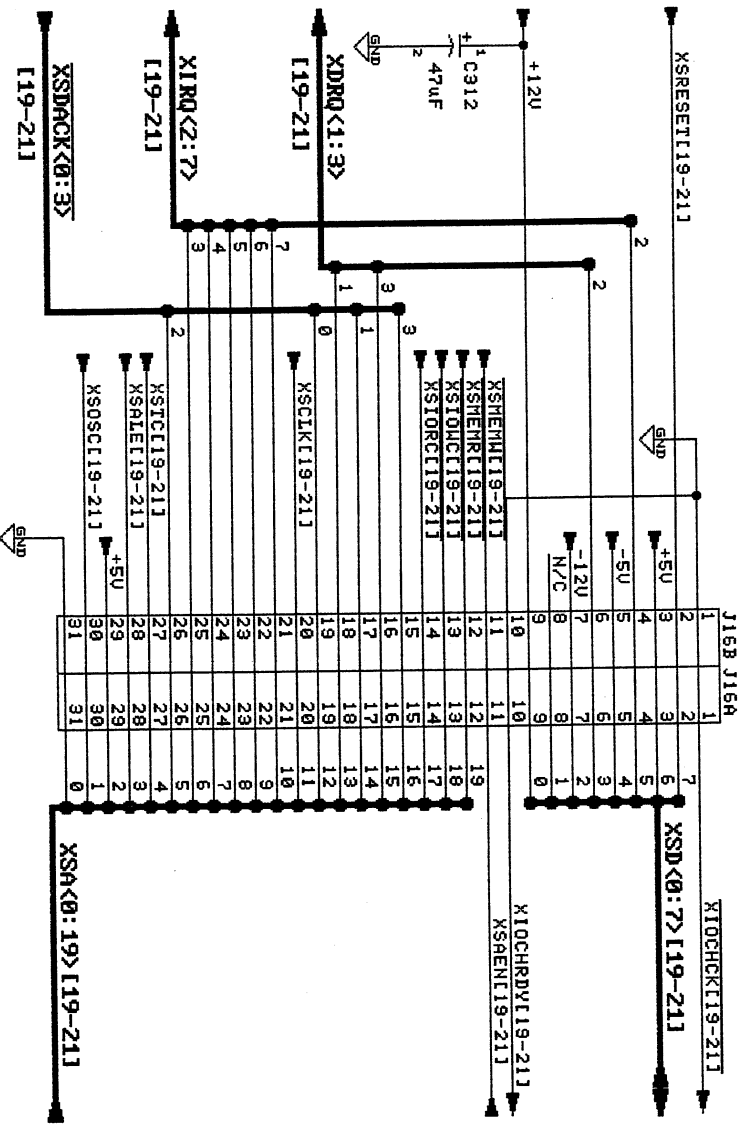
REV

4

DATE: 10-06-89

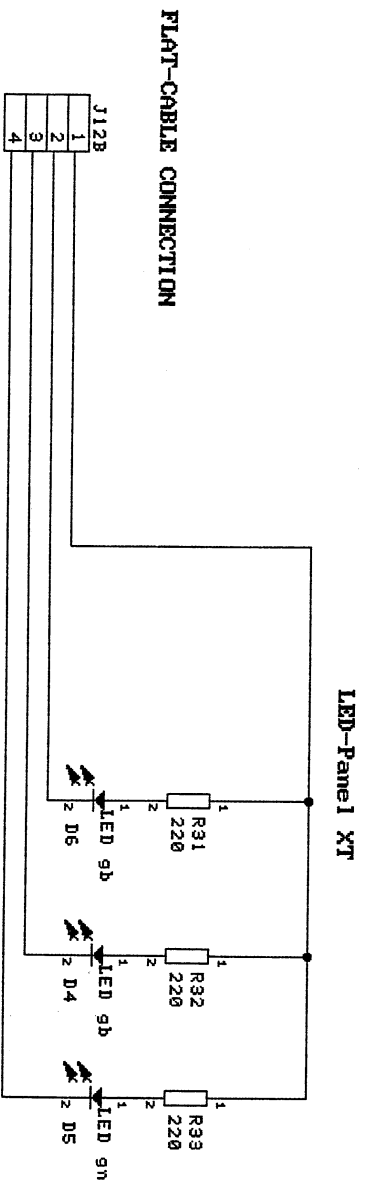
SHEET: 20 of 22

**EXPANSION SLOT  
62 PIN CARTRIDGE CONN.**



**EXPANSION SLOT 2**

		TITLE:	
		SCHEMATIC	
DRAWN BY:		APPROVED:	
M. HEFELÉ		EURO-XT	
USED ON:	SIZE	REV	
EURO-XT	A 3	51428	4
DATE:	SHEET:		
10-06-89	21 of 22		

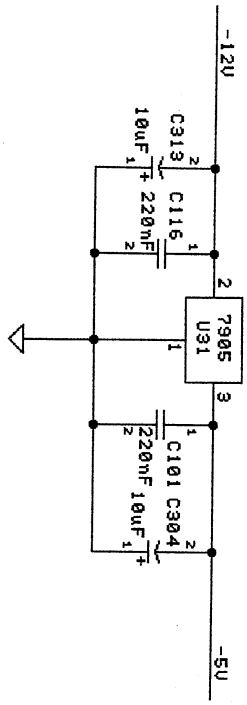


LED-Panel XT

FLAT-CABLE CONNECTION

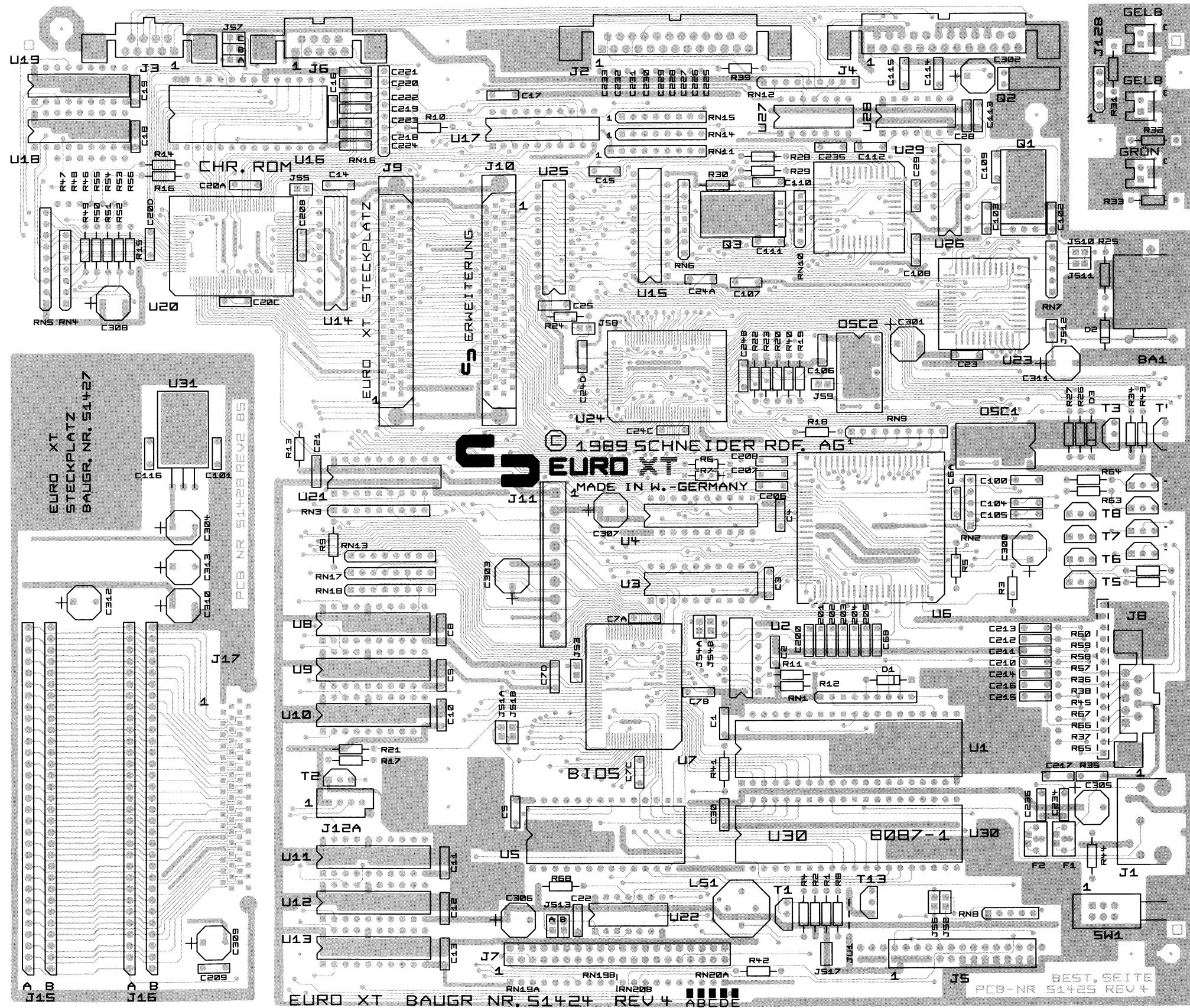
Note:

The LED-Panel is manufactured as a part of the mainboard. The interconnections are made with a wire jumper.  
 J12B is connected to a 4 pin flat cable which soldered and not removable



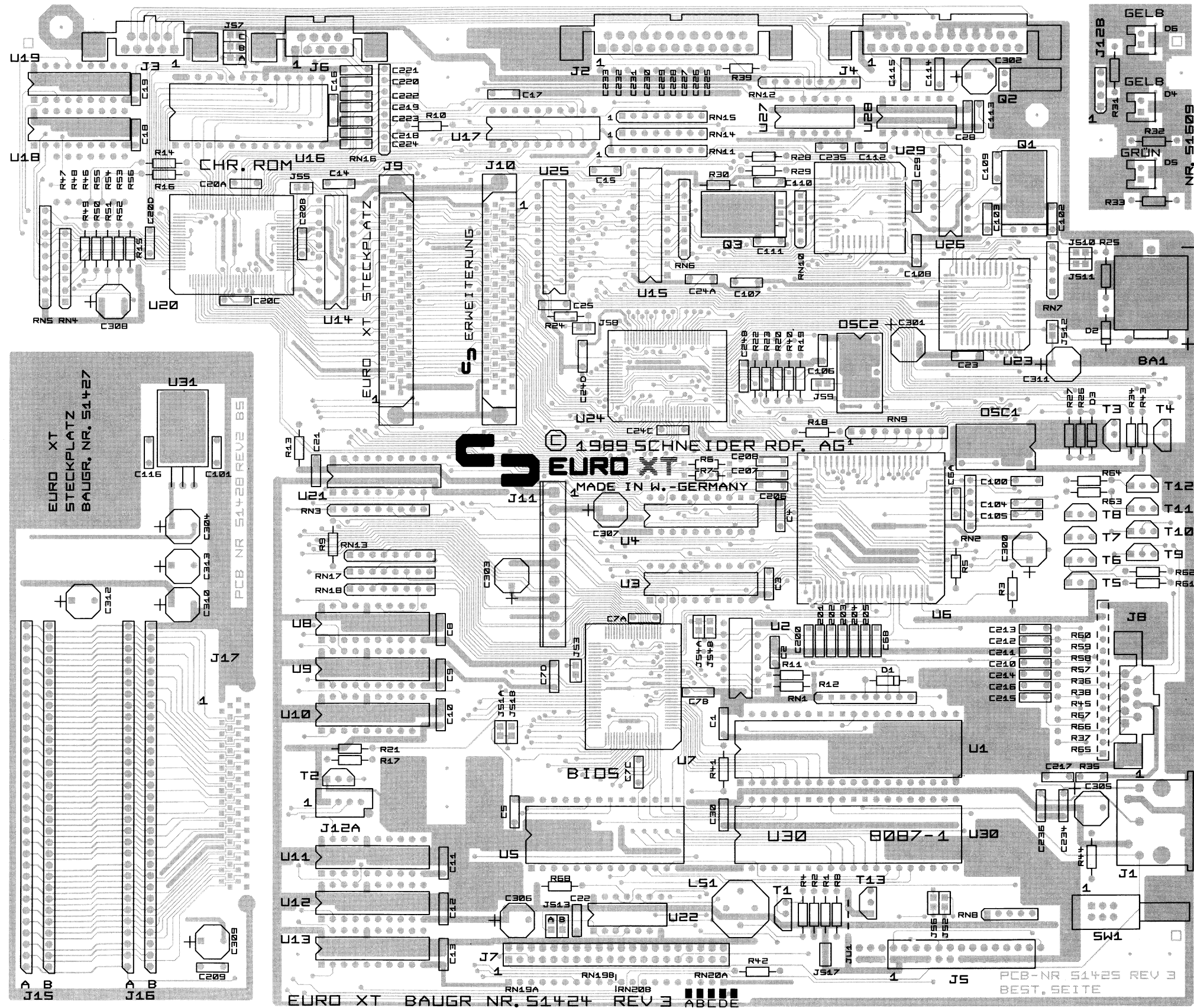
		TITLE:	
		SCHEMATIC	
DRAWN BY:		APPROVED:	
M. HERFLE		EURO-XT	
USED ON:		SIZE	REV
EURO-XT		A3	4
DATE:	10-06-89	SHEET:	22 of 22











NR. 51425

EURO XT  
STECKPLATZ  
BAUGR. NR. 51427

PCB NR 51428 REV2 B5

1989 SCHNEIDER RDF. AG  
**EURO XT**  
MADE IN W.-GERMANY

EURO XT BAUGR. NR. 51424 REV 3 ABCDE

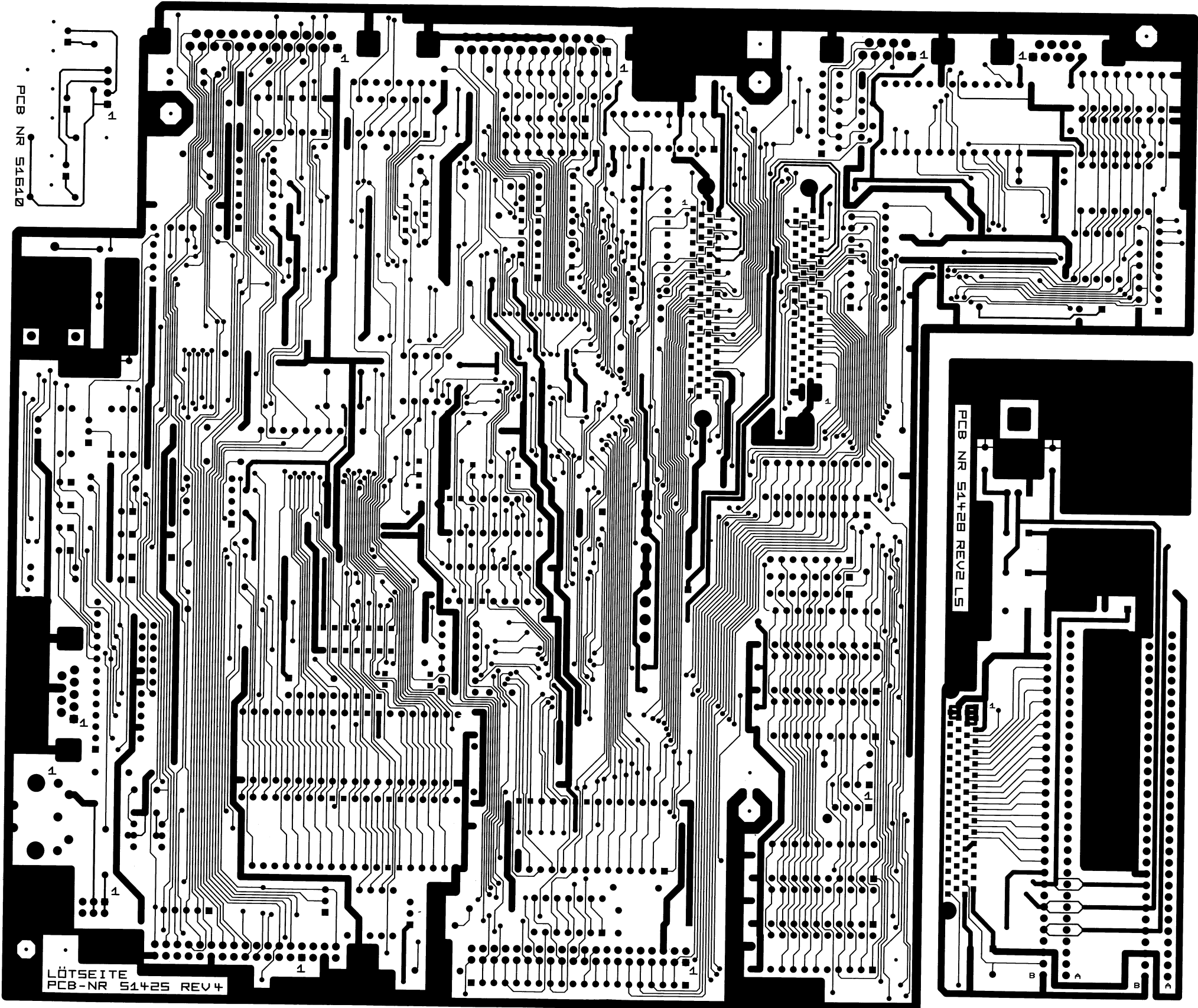
PCB-NR 51425 REV 3  
BEST. SEITE

Zust. Änderungs Datum Name  
Werner Blum - Elektronik  
D - 8907 Thannhausen

580031

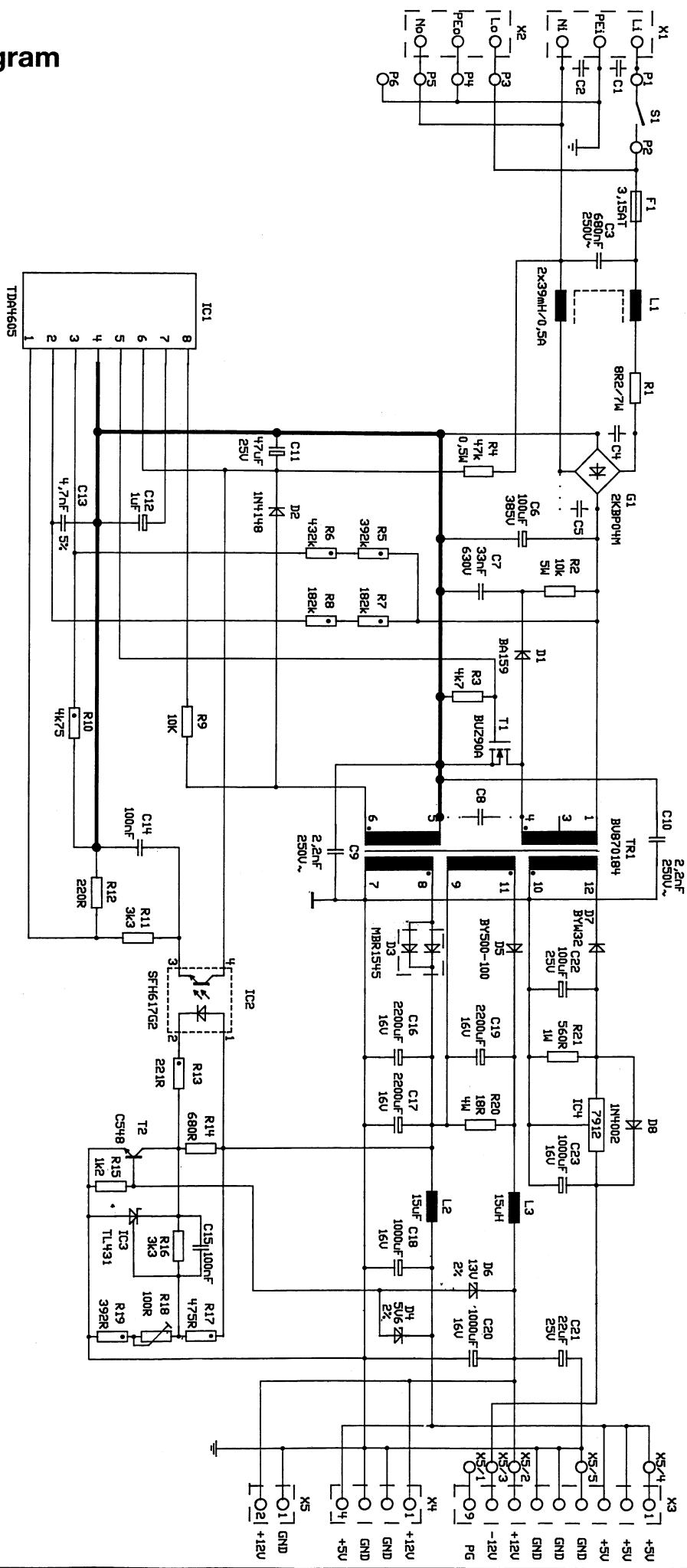
BLATT  
1

Soldering side



# Schematic diagram Power supply

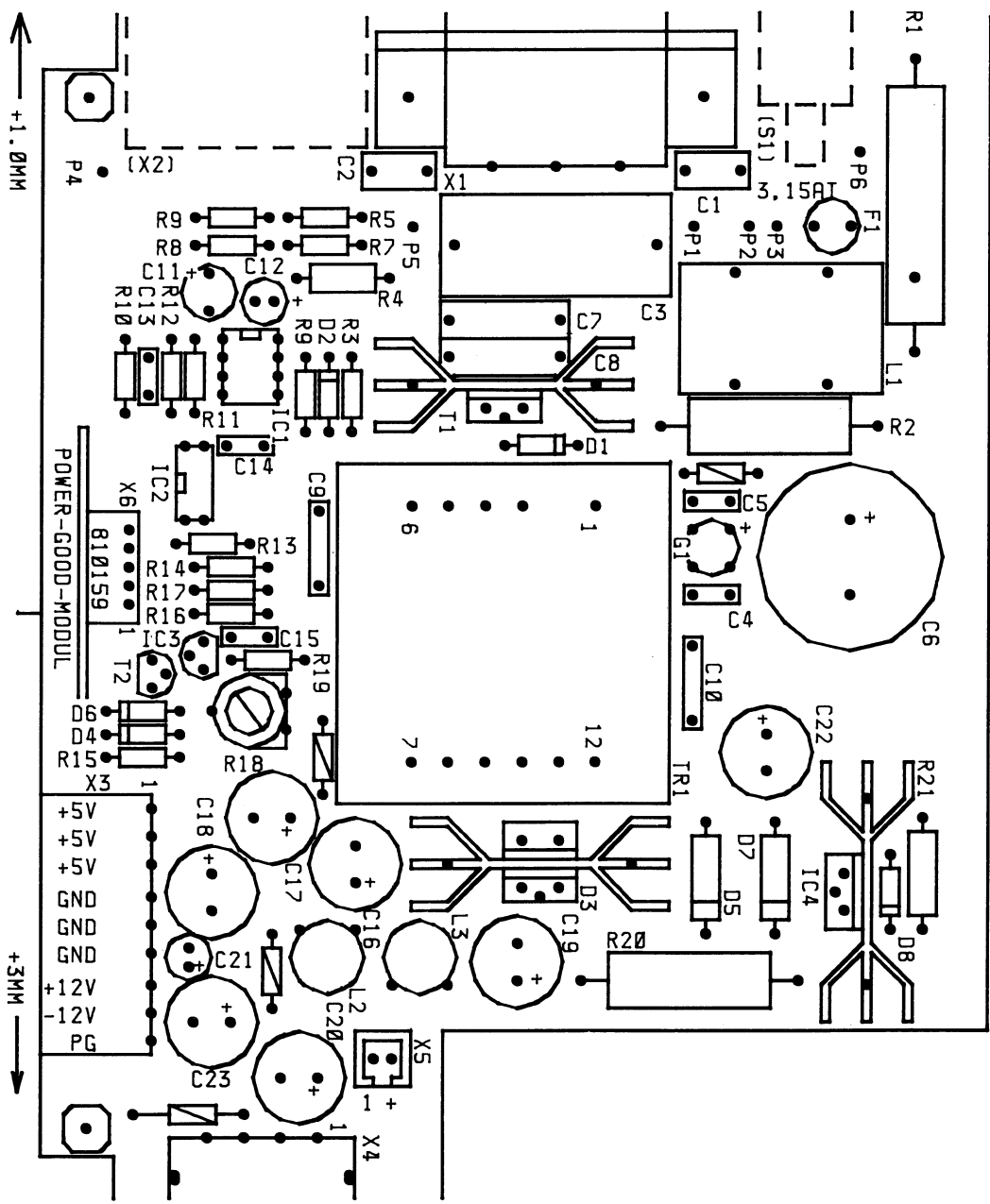
Metallfilmwiderstand 1%



Platine 810154v2		Maßstab	
STR0M1AUFPLAN		5U/7A 12U/2A(2.5A) -12U/0.3A	
Bearb.	Datum	Name	
GER	30.05.89	Härtse	
Norm			
Zust. Änderungen Datum Name		Herter Blum - Elektronik	
		D - 8907 Thannhausen	
		580031	
		BLATT	
		1/1	

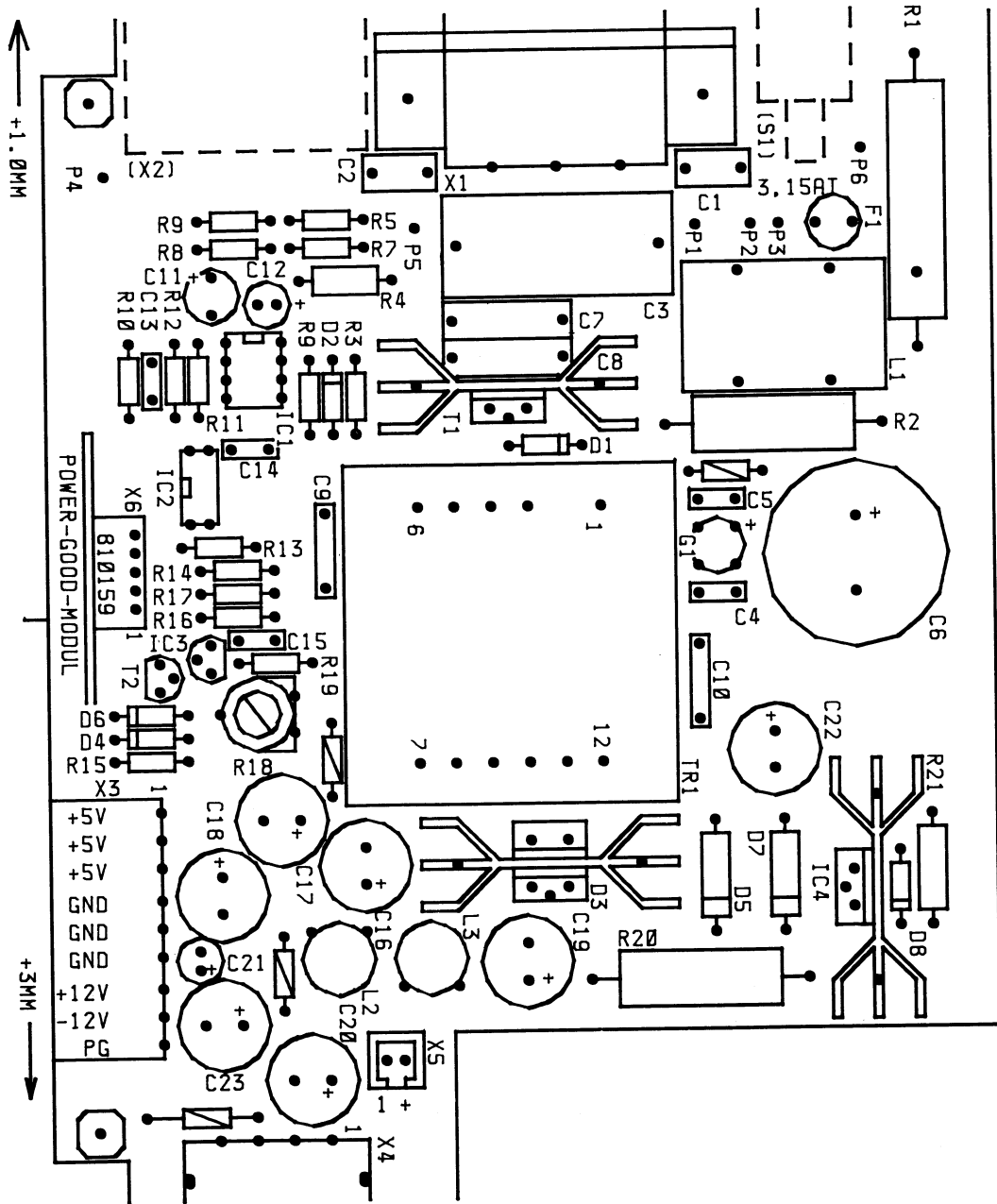
**Power supply**  
**Component side**

SNT60300 FA. SCHNEIDER  
 PLATINEN-IDENT.-NR.: 810154V2  
 PLATINENGRÖSSE: 130X166 MM



**Power supply**  
**Component side**

SNT60300 FR. SCHNEIDER  
 PLATINEN-IDENT.-NR.: 810154V2  
 PLATINENGRÖSSE: 130X166 MM



Ersatzteilliste für Systemeinheit Euro XT  
Parts List for System Unit Euro XT

Best.-Nr. Part.-No.	Bezeichnung	Description	Zeich.-Pos. Ref.-No.	Preisgruppe
50 100 00	IC SAB 80 88-1 P	IC SAB 80 88-1 P	U 1	C 9
50 123 00	IC 74 F 00	IC 74 F 00	U 2	A 5
50 128 00	IC 74 LS 244	IC 74 LS 244	U 3, 4	B 0
51 463 00	IC BIOS 27256	IC BIOS 27256	U 5	C 9
50 103 00	IC FE 2010 A	IC FE 2010 A	U 6	E 3
50 774 00	IC SARA MSM 79H000	IC SARA MSM 79H000	U 7	C 7
50 160 00	IC DRAM 256K x 4	IC DRAM 256K x 4	U 8-13	D 0
50 129 00	IC 74 LS 245	IC 74 LS 245	U 14	B 0
50 125 00	IC 74 HC 373	IC 74 HC 373	U 15	A 7
50 146 00	IC ROM 64K 200nS (D)	IC ROM 64K 200nS (D)	U 16	C 3
50 128 00	IC 74 LS 244	IC 74 LS 244	U 17	B 0
50 110 00	IC DRAM 64K x 4	IC DRAM 64K x 4	U 18, 19	D 4
50 104 00	IC PVC 4	IC PVC 4	U 20	E 5
50 129 00	IC 74 LS 245	IC 74 LS 245	U 21	B 0
51 145 00	IC 74 LS 125 DIL	IC 74 LS 125 DIL	U 22	A 5
50 105 00	IC WD 37C65A/B-JM00	IC WD 37C65A/B-JM00	U 23	D 5
50 773 00	IC BIG JIM TC110 G008	IC BIG JIM TC110 G008	U 24	D 1
50 129 00	IC 74 LS 245	IC 74 LS 245	U 25	B 0
50 108 00	IC M 3002	IC M 3002	U 26	C 3
50 120 00	IC MC 1488	IC MC 1488	U 27	A 5
50 121 00	IC MC 1489	IC MC 1489	U 28	A 5
52 118 00	IC 8250 National	IC 8250 National	U 29	C 3
50 238 00	IC 7905 TO 220	IC 7905 TO 220	U 31	A 6
50 711 00	IC ROM 64K 200nS (P)	IC ROM 64K 200nS (P)	U 16	C 3
50 712 00	IC ROM 64K 200nS (GR)	IC ROM 64K 200nS (GR)	U 16	C 3
50 713 00	IC ROM 64K 200nS (DK/N)	IC ROM 64K 200nS (DK/N)	U 16	C 3

**Note:** All spare parts with countryindex are reserved for foreign distributors only.



Ersatzteilliste für Systemeinheit Euro XT  
Parts List for System Unit Euro XT

Best.-Nr. Part.-No.	Bezeichnung	Description	Zeich.-Pos. Ref.-No.	Preisgruppe
51 042 00	Transistor BC 327 B	Transistor BC 327 B	T 1	A 2
50 358 00	Transistor BC 337 B	Transistor BC 337 B	T 2-8	A 6
51 042 00	Transistor BC 327 B	Transistor BC 327 B	T 9-13	A 2
50 338 00	Diode 1 N 4148	Diode 1 N 4148	D 1-3, 7	A 2
51 040 00	Quarz 32,768 kHz	Crystal 32.768 kHz	Q 2	A 7
50 312 00	Quarz 1,8432 MHz HC-18U	Crystal 1.8432 MHz HC-18U	Q 3	B 5
51 041 00	Oszillator 28,636 MHz	Oscillator 28.636 MHz	OSC 1	C 3
50 313 00	Oszillator 16 MHz	Oscillator 16 MHz	OSC 2	C 3
50 319 00	R-Netzwerk 8 x 4K7	R Network 8 x 4K7	RN 1	A 3
51 048 00	R-Netzwerk 4 x 4K7	R Network 4 x 4K7	RN 2	A 3
50 319 00	R-Netzwerk 8 x 4K7	R Network 8 x 4K7	RN 3	A 3
51 049 00	R-Netzwerk 6 x 33K	R Network 6 x 33K	RN 4	A 3
51 050 00	R-Netzwerk 8 x 33K	R Network 8 x 33K	RN 5	A 3
50 320 00	R-Netzwerk 6 x 680K	R Network 6 x 680K	RN 6	A 3
51 048 00	R-Netzwerk 4 x 4K7	R Network 4 x 4K7	RN 7	A 3
51 046 00	R-Netzwerk 4 x 1K	R Network 4 x 1K	RN 8	A 3
51 050 00	R-Netzwerk 8 x 33K	R Network 8 x 33K	RN 9	A 3
51 047 00	R-Netzwerk 4 x 2K2	R Network 4 x 2K2	RN 10	A 3
50 317 00	R-Netzwerk 8 x 1K	R Network 8 x 1K	RN 11	A 3
50 319 00	R-Netzwerk 8 x 4K7	R Network 8 x 4K7	RN 12	A 3
50 382 00	R-Netzwerk 4 x 68R	R Network 4 x 68R	RN 13	A 3
50 318 00	R-Netzwerk 4 x 33R	R Network 4 x 33R	RN 14-16	A 3
50 382 00	R-Netzwerk 4 x 68R	R Network 4 x 68R	RN 17, 18	A 3
50 321 00	PTC PCL 0250,0	PTC PCL 0250.0	R 35	A 9
51 717 00	Resettaste	Push-button, reset	SW 1	A 9
50 126 00	Batterie 3,6 V	Battery 3.6 V	BAT 1	B 8
50 332 00	Piepser	Buzzer	LS 1	A 8
51 140 00	Buchse Dioden 5pol.	Socket 5-pin	J 1	A 9
50 133 00	Buchse SUB-D 25pol.	Socket SUB-D 25-pin	J 2, 4	B 2
50 131 00	Buchse SUB-D 9pol.	Socket SUB-D 9-pin	J 3	A 9
51 569 00	Stiftleiste RM 2,54 2 x 26pol.	Socket RM 2.54 2 x 26-pin	J 5	A 7
50 132 00	Buchse SUB-D 9pol.	Socket SUB-D 9-pin	J 6	B 0
51 085 00	Stiftleiste RM 2,54 2 x 20pol.	Socket RM 2.54 2 x 20-pin	J 7	A 7
51 385 00	Buchse SUB-D 9pol.	Socket SUB-D 9-pin	J 8	A 9
51 521 00	Steckver. CHAMP 68pol.	Socket CHAMP 68pin	J 9, 10	B 4
51 431 00	Stiftleiste RM 3,96 JST B09-VH	Socket RM 3.96 JST B09-VH	J 11	A 5
51 616 00	Steckver. Leiterpl.	Socket P.C.B.	J 12A	A 5
50 180 00	Buchse CARDEDGE 62pol.	Socket CARDEDGE 62-pin	J 15, 16	B 1
51 523 00	Steckver. CHAMP 68pol.	Socket CHAMP 68-pin	J 17	B 5

**CAUTION:**

Danger of explosion if battery is incorrectly replaced. Replace only with the same or equivalent type recommended by the equipment manufacturer.  
Discard used batteries according to manufacturer's instructions.

Ref.: IEC/74 (Central Office) 104.

---

# **Euro XT**

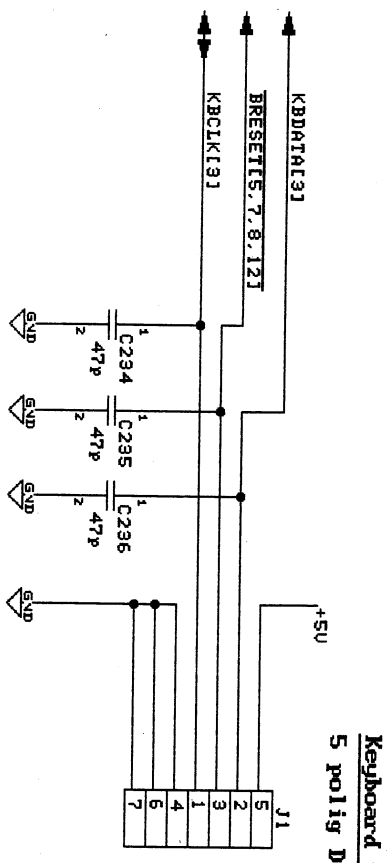
# **Appendix A:**

**Different schematics Rev. 4 – Rev. 3**

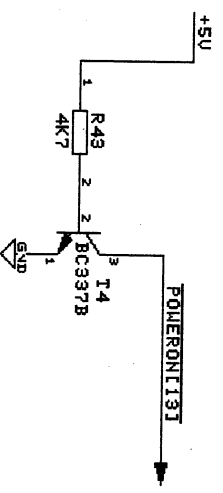
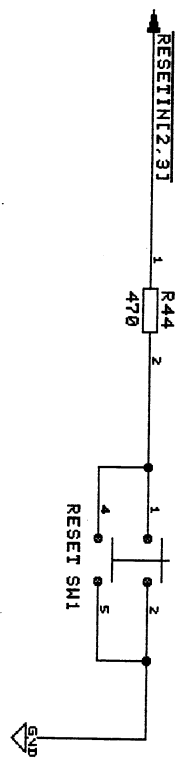
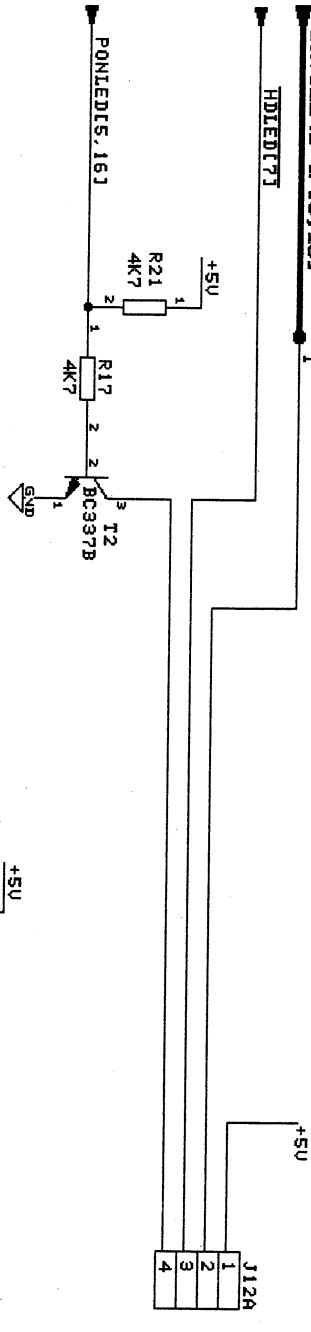
**PARTS USED:**

Ref. U	Ref. R	Ref. R	Ref. C	Ref. C	Ref. RN	Ref. T	Hisc.
1	1	63	1	100	1	1	OSC 1
2	2	64	2	101	2	2	OSC 2
3	3	65	3	102	3	3	OSC 3
4	4	66	4	103	4	4	
5	5	67	5	104	5	5	
6	6	68	6	105	6	6	
7	7		7	106	7	7	0 1
8	8		8	107	8	8	0 2
9	9		9	108	9	9	0 3
10	10		10	109	10	10	
11	11		11	110	11	11	
12	12		12	111	12	12	
13	13		13	112	13	13	
14	14		14	113			
15	15		15	114			SM 1
16	16		16	115			
17	17		17	116			
18	18		18	117			
19	19		19	19A			LS 1
20	20		20	19B			
21	21		21	20A			
22	22		22	20B			
23	23		23	20C			BAT 1
24	24		24	20D			
25	25		25	20E			
26	26		26	20F			
27	27		27	20G			
28	28		28	20H			
29	29		29	20I			
30	30		30	20J			
31	31		31	20K			
				20L			
				20M			
				20N			
				20O			
				20P			
				20Q			
				20R			
				20S			
				20T			
				20U			
				20V			
				20W			
				20X			
				20Y			
				20Z			
				21A			
				21B			
				21C			
				21D			
				21E			
				21F			
				21G			
				21H			
				21I			
				21J			
				21K			
				21L			
				21M			
				21N			
				21O			
				21P			
				21Q			
				21R			
				21S			
				21T			
				21U			
				21V			
				21W			
				21X			
				21Y			
				21Z			
				22A			
				22B			
				22C			
				22D			
				22E			
				22F			
				22G			
				22H			
				22I			
				22J			
				22K			
				22L			
				22M			
				22N			
				22O			
				22P			
				22Q			
				22R			
				22S			
				22T			
				22U			
				22V			
				22W			
				22X			
				22Y			
				22Z			
				23A			
				23B			
				23C			
				23D			
				23E			
				23F			
				23G			
				23H			
				23I			
				23J			
				23K			
				23L			
				23M			
				23N			
				23O			
				23P			
				23Q			
				23R			
				23S			
				23T			
				23U			
				23V			
				23W			
				23X			
				23Y			
				23Z			
				24A			
				24B			
				24C			
				24D			
				24E			
				24F			
				24G			
				24H			
				24I			
				24J			
				24K			
				24L			
				24M			
				24N			
				24O			
				24P			
				24Q			
				24R			
				24S			
				24T			
				24U			
				24V			
				24W			
				24X			
				24Y			
				24Z			
				25A			
				25B			
				25C			
				25D			
				25E			
				25F			
				25G			
				25H			
				25I			
				25J			
				25K			
				25L			
				25M			
				25N			
				25O			
				25P			
				25Q			
				25R			
				25S			
				25T			
				25U			
				25V			
				25W			
				25X			
				25Y			
				25Z			
				26A			
				26B			
				26C			
				26D			
				26E			
				26F			
				26G			
				26H			
				26I			
				26J			
				26K			
				26L			
				26M			
				26N			
				26O			
				26P			
				26Q			
				26R			
				26S			
				26T			
				26U			
				26V			
				26W			
				26X			
				26Y			
				26Z			
				27A			
				27B			
				27C			
				27D			
				27E			
				27F			
				27G			
				27H			
				27I			
				27J			
				27K			
				27L			
				27M			
				27N			
				27O			
				27P			
				27Q			
				27R			
				27S			
				27T			
				27U			
				27V			
				27W			
				27X			
				27Y			
				27Z			
				28A			
				28B			
				28C			
				28D			
				28E			
				28F			
				28G			
				28H			
				28I			
				28J			
				28K			
				28L			
				28M			
				28N			
				28O			
				28P			
				28Q			
				28R			
				28S			
				28T			
				28U			
				28V			
				28W			
				28X			
				28Y			
				28Z			
				29A			
				29B			
				29C			
				29D			
				29E			
				29F			
				29G			
				29H			
				29I			
				29J			
				29K			
				29L			
				29M			
				29N			
				29O			
				29P			
				29Q			
				29R			
				29S			
				29T			
				29U			
				29V			
				29W			
				29X			
				29Y			
				29Z			
				30A			
				30B			
				30C			
				30D			
				30E			
				30F			
				30G			
				30H			
				30I			

**KEYBOARD INTERFACE , RESET BUTTON, POWER-LED, HDU-LED**



**LED-PANEL  
4 pol. RVQ-CONNECTOR**



		TITLE:		SCHEMATIC EURO-XT
		DRAWN BY:		
M. HEFELÉ		APPROVED:		USED ON: Euro-XT
DATE: 03-05-89		SHEET: 12 of 18		
XT-312		SIZE A3	51424	REV 3



## Fehlercode-Tabelle für SCHNEIDER EURO PC, EURO PCII, EURO XT

Die Geräte führen beim Einschalten einen Selbsttest durch, bei dem die einzelnen Komponenten des Computersystems geprüft werden. Im Fehlerfall wird die laufende Testnummer als Tonfolge über den Lautsprecher ausgegeben. Die Tonfolge besteht dabei aus zwei Teilen, die durch eine lange Pause getrennt sind. Die Nummer wird durch kurze Töne ausgegeben.

Fehlernummer (Beep-Code)	Fehlerursache
1-2	Fehler bei der Initialisierung Floppycontroller
2-0	Allgemeiner Fehler mit Bildschirmanzeige (Ungültiger Setup-Inhalt in der Echtzeituhr, Tastaturfehler)
2-1	RAM-Größe paßt nicht zum SETUP
2-2	Hauptspeicher-, EMS-Speicherfehler
3-1	JIM nicht gefunden
3-3	Prüfsummenfehler ROM-BIOS
4-1	Datum, Zeitfehler in der Echtzeituhr
4-2	Prüfsummenfehler Echtzeituhr
4-3	Echtzeituhr Statusfehler
4-4	Echtzeituhr antwortet nicht

## Error Code Table for SCHNEIDER EURO PC, EURO PCII, EURO XT

When switched on, the devices perform a self-test during which the individual components of the computer system are checked. If an error is detected, the current test number is output via the loudspeaker in the form of a sequence of tones. The tone sequence comprises two parts which are separated by a long interval. The number is output by means of short tones.

Error Number (Beep Code)	Cause
1-2	Floppy-controller initialisation error
2-0	General VDU error (Invalid setup in real-time clock, keyboard error)
2-1	RAM size not suitable for SETUP
2-2	Main memory, EMS memory error
3-1	JIM not found
3-3	ROM-BIOS check-total error
4-1	Date, time error in real-time clock
4-2	Check-total error, real-time clock
4-3	Real-time clock status error
4-4	Real-time clock does not respond





Bitte bei Ersatzteilbestellung die genaue Bezeichnung und Ident-Nr. (siehe Typenschild) des Gerätes sowie Bestell-Nummer und Positions-Nummer des Ersatzteils angeben.

For ordering of spare parts please state exact description and ident-no. of unit (see silver rating label on the backside of unit) as well as part-no. and position-no. of required spare parts.

Benutzen Sie:

Telex: 531516

oder



\* 317298 #

oder

Telefax: 08245/51326