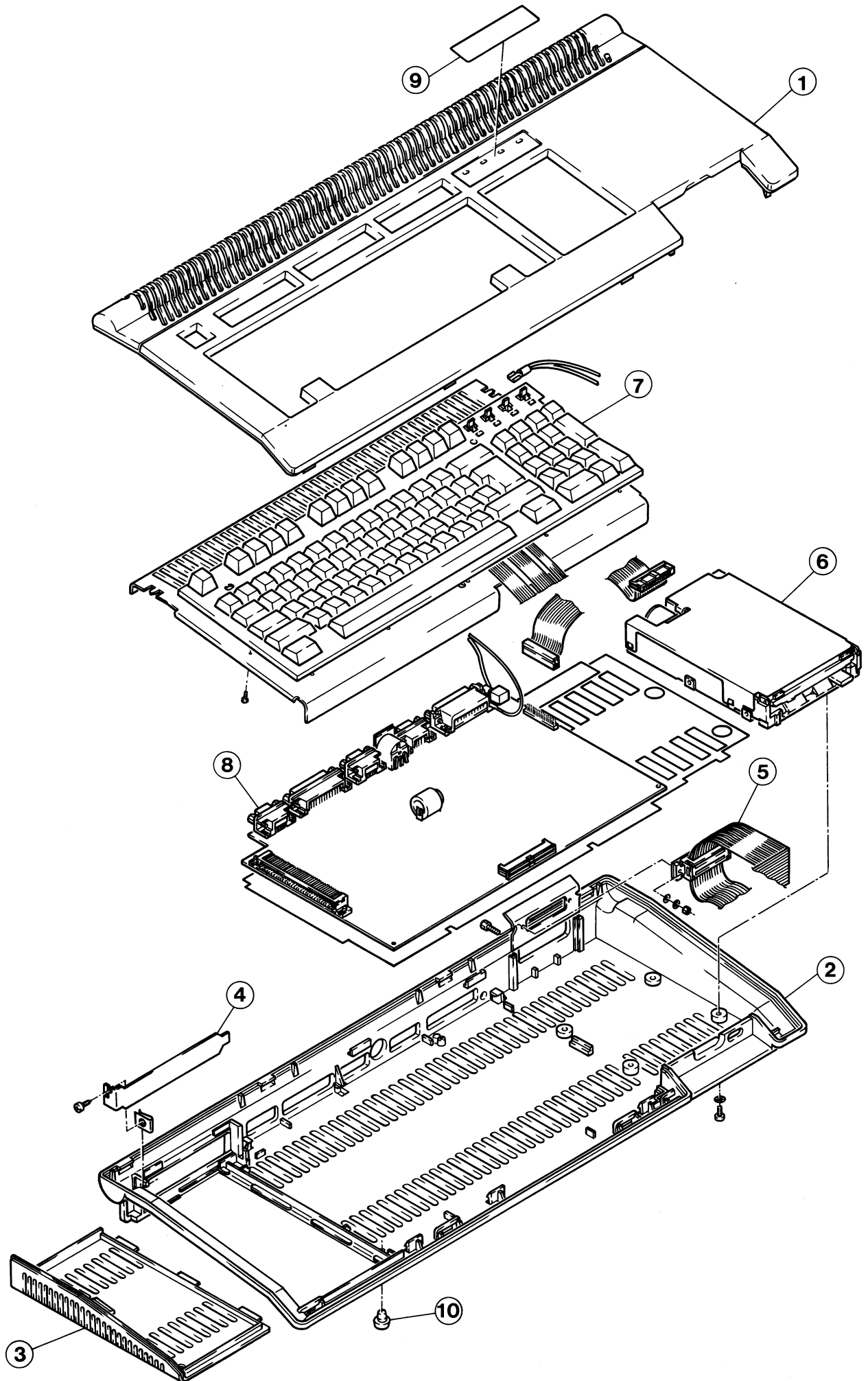


**SYSTEMEINHEIT
EURO PC II**

Ident-Nr.: 43412



Exploded view

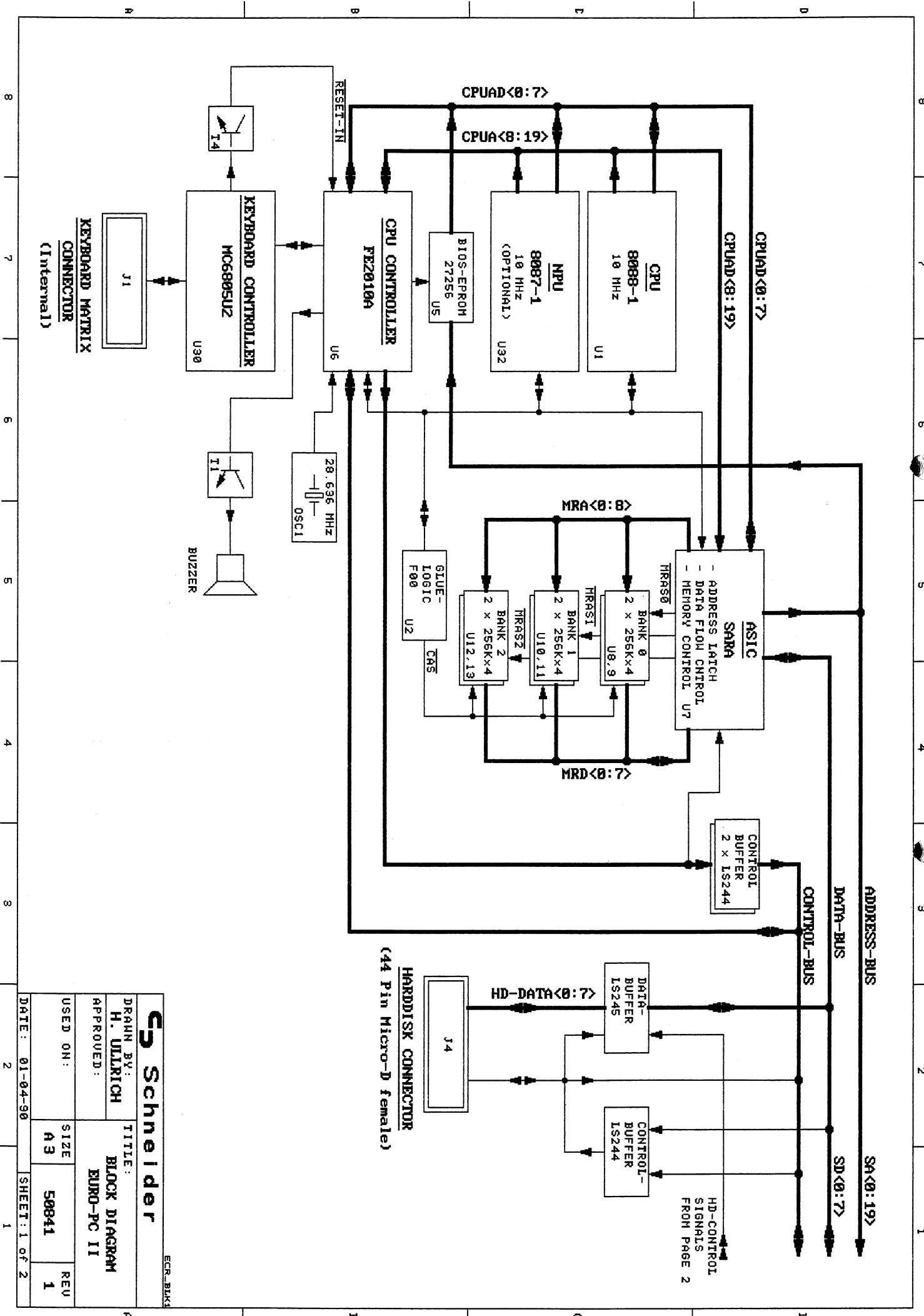


Ersatzteilliste für Systemeinheit Euro PC II
Parts List for System Unit Euro PC II

Best.-Nr. Part.-No.	Bezeichnung	Description	Zeich.-Pos. Ref.-No.	Preisgruppe
50 058 00	Styropor Euro PC	Polyfoam		B 7
51 617 00	Faltkarton Euro PC	Gift box		B 7
51 509 00	Gehäuseoberteil	Cabinet, top	1	C 7
50 842 00	Gehäuseboden	Cabinet, bottom	2	C 6
50 012 00	Gehäuseklappe	Cabinet, door	3	B 4
50 020 00	Blindblech	Plate, blind	4	A 7
50 018 00	Kabelbaum FDD	Cord FDD	5	C 5
50 017 00	Floppylaufwerk	Floppy disk drive	6	G 1
50 056 00	Druckknopf für Floppy (Toshiba)	Push-button, Floppy (Toshiba)		A 5
50 294 00	Druckknopf für Floppy (Sony)	Push-button, Floppy (Sony)		A 5
50 016 00	Tastatur (D)	Switch keyboard (D)	7	E 5
50 148 00	Tastatur (F)	Switch keyboard (F)		E 5
50 149 00	Tastatur (GB)	Switch keyboard (GB)		E 5
50 161 00	Tastatur (CH)	Switch keyboard (CH)		E 5
50 162 00	Tastatur (DK)	Switch keyboard (DK)		E 5
50 163 00	Tastatur (E)	Switch keyboard (E)		E 5
50 165 00	Tastatur (N)	Switch keyboard (N)		E 5
50 166 00	Tastatur (S/SF)	Switch keyboard (S/SF)		E 5
50 565 00	Tastatur (TR)	Switch keyboard (TR)		E 5
50 566 00	Tastatur (P)	Switch keyboard (P)		E 5
50 567 00	Tastatur (GR)	Switch keyboard (GR)		E 5
52 182 00	Tastatur (SU)	Switch keyboard (SU)		E 5
52 183 00	Tastatur (UAE)	Switch keyboard (UAE)		E 5
50 841 00	Platine CPU	CPU-board	8	J 3
50 014 00	Klebeschild	Sheet	9	A 6
50 141 00	Gehäusefuß	Leg, cabinet		A 2
50 023 00	Typenschild	Sheet, rating		A 3
50 850 00	Netzteil Euro PC	Power supply		E 3

Note: All spare parts with countryindex are reserved for foreign distributors only.

All 3.5" and 5.25" floppydisks must be replaced by new ones. Schneider passes no exchange price to the distributor or dealer.



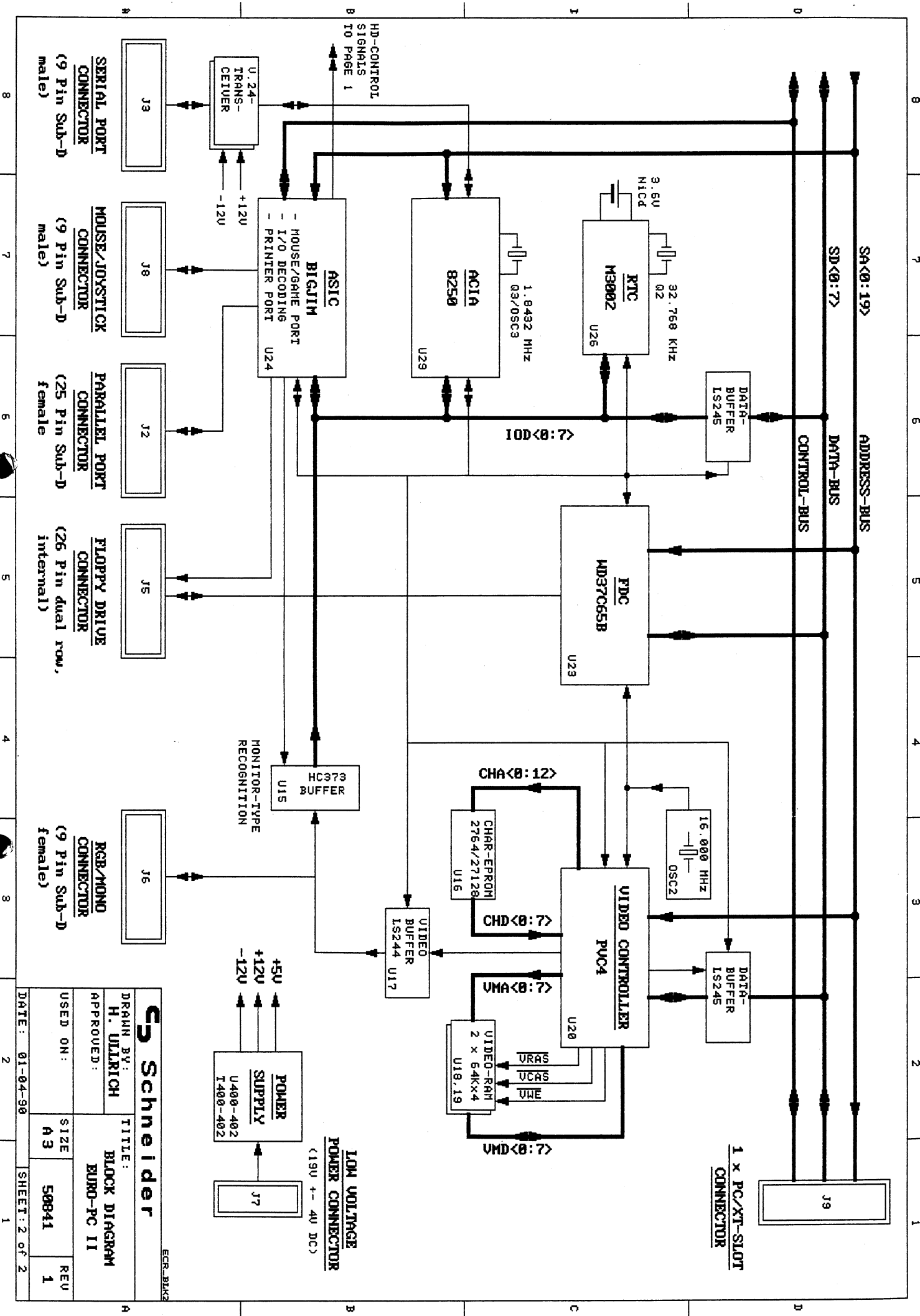
Schneider
EGR-BK3

DRAWN BY: H. ULRICH
APPROVED: [Signature]

TITLE: BLOCK DIAGRAM
EURO-PC II

USED ON:	SIZE:	REV:
A3	50841	1

DATE: 01-04-90
SHEET: 1 of 2



Schneider
 ECR-3BK2

DRAWN BY: H. ULBRICH	TITLE: BLOCK DIAGRAM EURO-PC II
APPROVED:	
USED ON:	SIZE A3
DATE: 01-04-90	REV 50841 1

SHEET: 2 of 2

REVISONS

LTR	DESCRIPTION	DATE	APPROVED
1	ADVANCED ENGINEERING RELEASE	03-28-89	H. ULLRICH
2	UPDATE, REV. 0 PCB	03-29-89	H. ULLRICH
3	UPDATE, REV. 1 PCB, PREPRODUCTION RELEASE	06-05-89	H. ULLRICH
4	REWORK: ADDED R1 ON '100CHRDY'. CHANGES IN OUP-CIRCUIT OF PSU	08-29-89	H. ULLRICH

DRAWING FILES:

BCR_41.DWG THIS SHEET
 BCR_42.DWG CPU SECTION, ASIC 'SARA'
 BCR_43.DWG FE2010A SECTION
 BCR_44.DWG 768 KB MAIN RAM
 BCR_45.DWG ASIC 'BIGJIM'
 BCR_46.DWG FLOPPY INTERFACE
 BCR_47.DWG HARDISK INTERFACE
 BCR_48.DWG SERIAL INTERFACE
 BCR_49.DWG REAL TIME CLOCK
 BCR_410.DWG PUC4 VIDEO CONTROLLER
 BCR_411.DWG VIDEO RAM, CHAR. ROM
 BCR_412.DWG KEYBOARD CONTROLLER
 BCR_413.DWG CONNECTORS I
 BCR_414.DWG CONNECTORS II
 BCR_415.DWG CONNECTORS III
 BCR_416.DWG CONNECTORS IV
 BCR_417.DWG BLOCK CAPS
 BCR_418.DWG POWER SUPPLY

CONTENTS:

THIS SHEET
 CPU SECTION, ASIC 'SARA'
 FE2010A SECTION
 768 KB MAIN RAM
 ASIC 'BIGJIM'
 FLOPPY INTERFACE
 HARDISK INTERFACE
 SERIAL INTERFACE
 REAL TIME CLOCK
 PUC4 VIDEO CONTROLLER
 VIDEO RAM, CHAR. ROM
 KEYBOARD CONTROLLER
 CONNECTORS I
 CONNECTORS II
 CONNECTORS III
 CONNECTORS IV
 BLOCK CAPS
 POWER SUPPLY

Schneider

DRAWN BY: H. ULLRICH
 APPROVED:

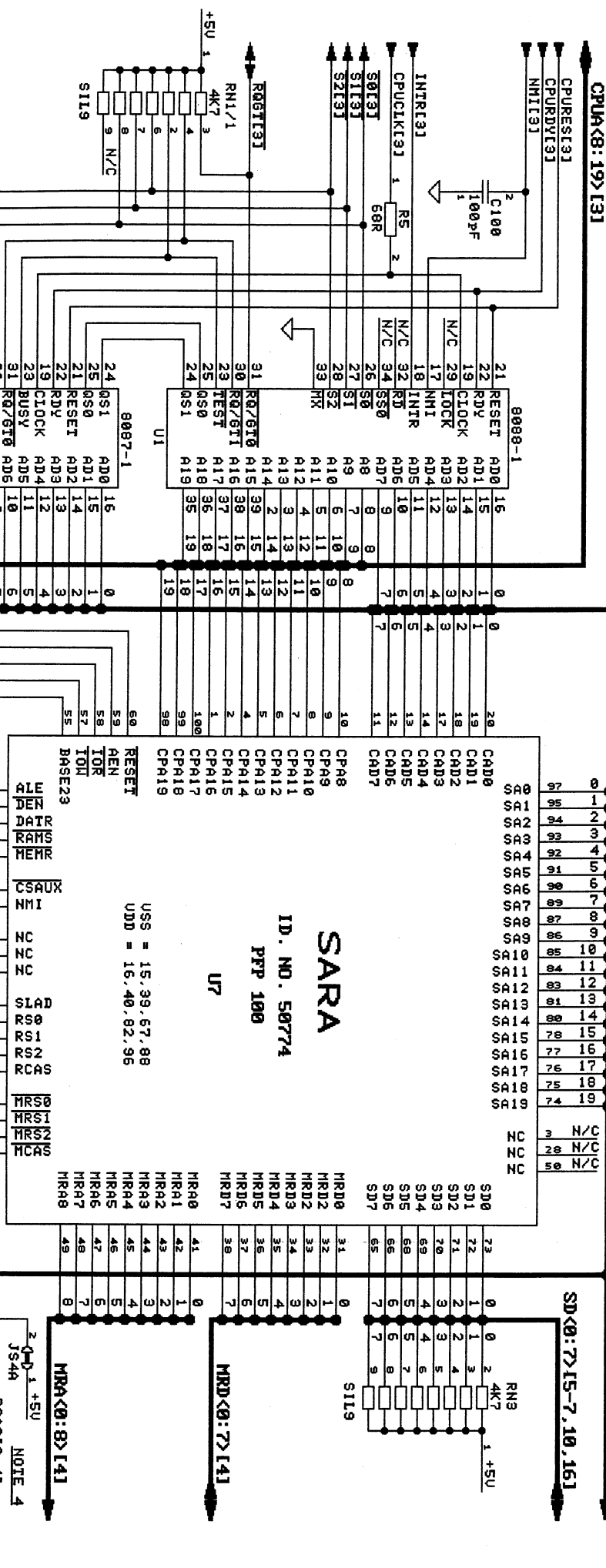
TITLE: SCHEMATIC
 EURO-PC II

USED ON:	SIZE	NO.	REV
EuroPC II	A3	50841	4
DATE: 08-29-89	SHEET: 1 of 18		

CPU SECTION

SA<0:19>15-8,10,161

SD<0:7>15-7,10,161



SARA
ID. NO. 50774
PPF 100
U7

USS = 15.39, 67.88
UDD = 16.40, 82.96

- NOTES:
- 1) FOR 27512 EPROM: OPEN JS1A, CLOSE JS1B
 - 2) JS3 CLOSED FOR SPECIAL TEST PURPOSES ONLY
 - 3) EPROM ACCESS TIME IS 170 ns
 - 4) JS4A OPEN, JS4B CLOSED ONLY IF U2 NOT ASSEMBLED

BIOS EPROM

0	11	D0	A0	10	0
1	12	D1	A1	9	1
2	13	D2	A2	8	2
3	14	D3	A3	7	3
4	15	D4	A4	6	4
5	16	D5	A5	5	5
6	17	D6	A6	4	6
7	18	D7	A7	3	7
8	19	D8	A8	2	8
9	20	D9	A9	1	9
10	21	D10	A10	0	10
11	22	D11	A11	23	11
12	23	D12	A12	22	12
13	24	D13	A13	21	13
14	25	D14	A14	20	14
15	26	D15	A15	19	15
16	27	D16	A16	18	16
17	28	D17	A17	17	17
18	29	D18	A18	16	18
19	30	D19	A19	15	19

NOTE 1 JS1A JS1B

Schneider EGR-42

DRAIN BY: H. WILRICH
TITLE: SCHEMATIC EURO-PC II

APPROVED:

USED ON: EURO-PC II SIZE A3
DATE: 05-22-89 SHEET: 2 of 18

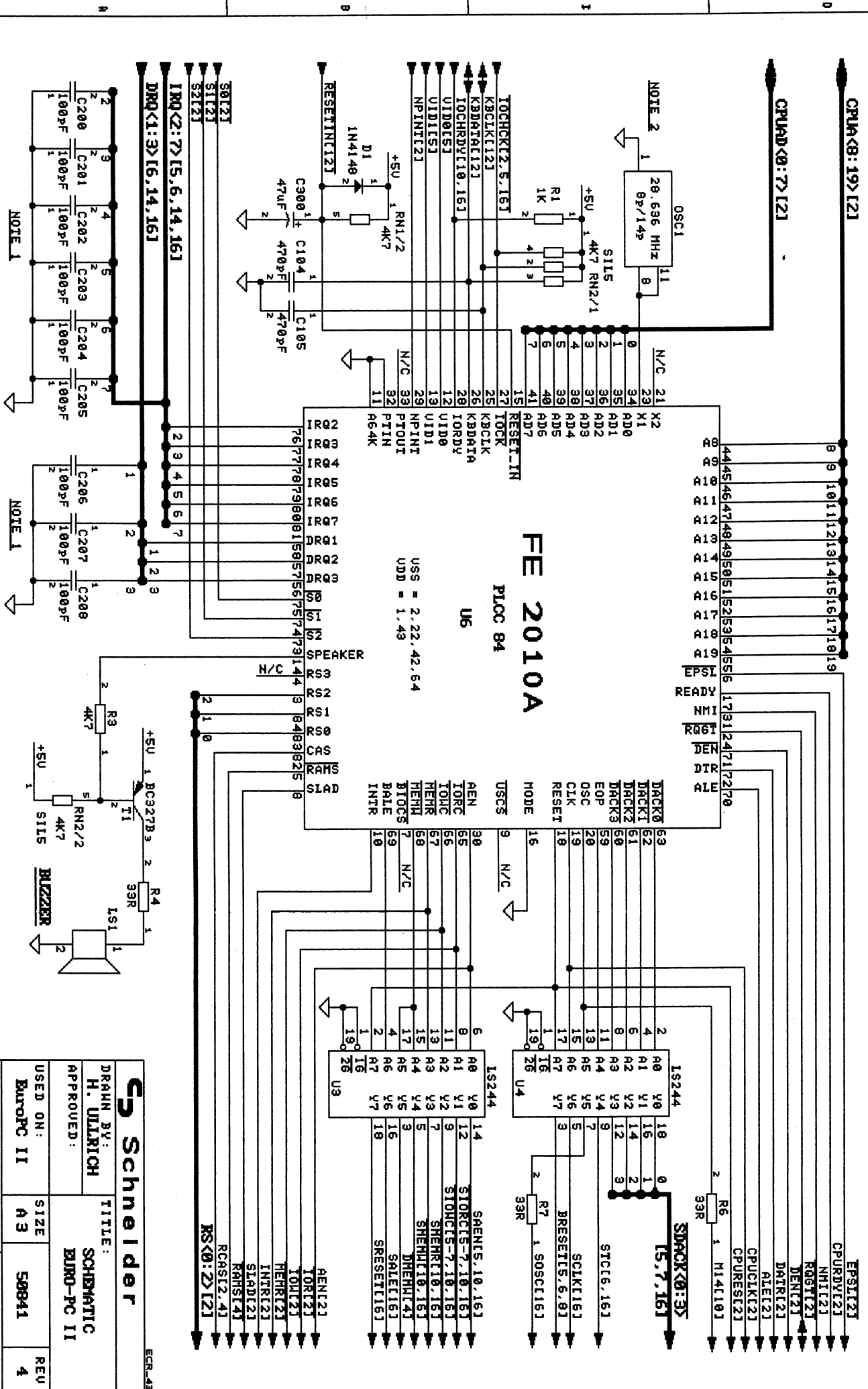
REU 4

8 7 6 5 4 3 2 1

8 7 6 5 4 3 2 1

CPU CONTROLLER

NOTES: 1) C200-C208 ONLY ASSEMBLED IF REQUIRED!
2) OSC1 HAS 9P OR 14P HOUSING

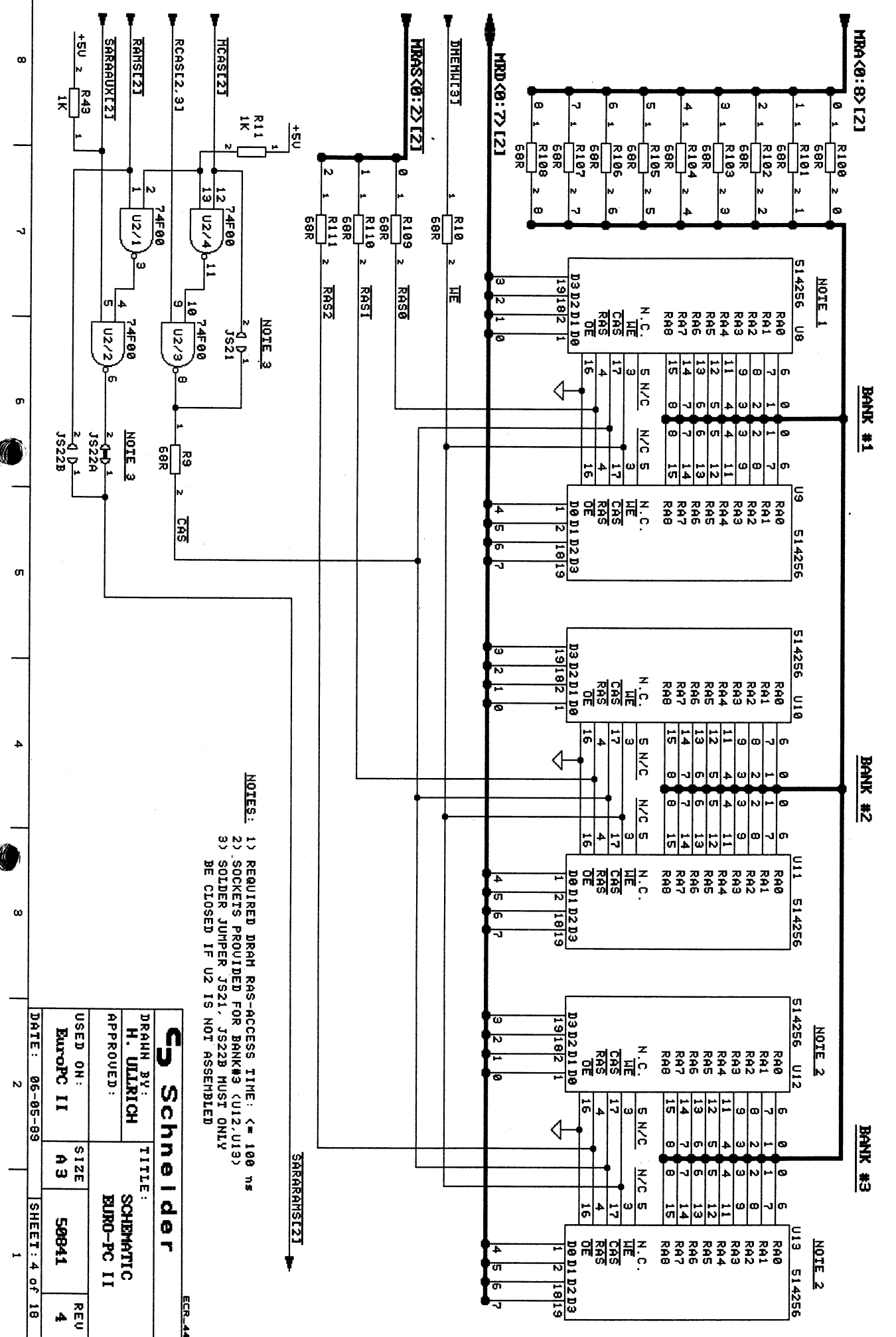


Schneider
EGR-43

DRAWN BY: H. ULLRICH
APPROVED: [Signature]
TITLE: SCHEMATIC EURO-PC II

USED ON: EUROPC II
SIZE: A3
50841
REV: 4
DATE: 06-12-89
SHEET: 3 of 18

512K (768K) MAIN RAM



- NOTES:
- 1) REQUIRED DRAIN RAS-ACCESS TIME: <= 100 ns
 - 2) SOCKETS PROVIDED FOR BANK#3 (U12, U13)
 - 3) SOLDER JUMPER JS21, JS22A MUST ONLY BE CLOSED IF U2 IS NOT ASSEMBLED

Schneider ECR-44

DRAWN BY: H. ULRICH
 APPROVED: [Signature]
 TITLE: SCHEMATIC EURO-PC II

USED ON: EuroPC II
 SIZE: A3
 DATE: 06-05-89

REV: 4
 SHEET: 4 OF 18

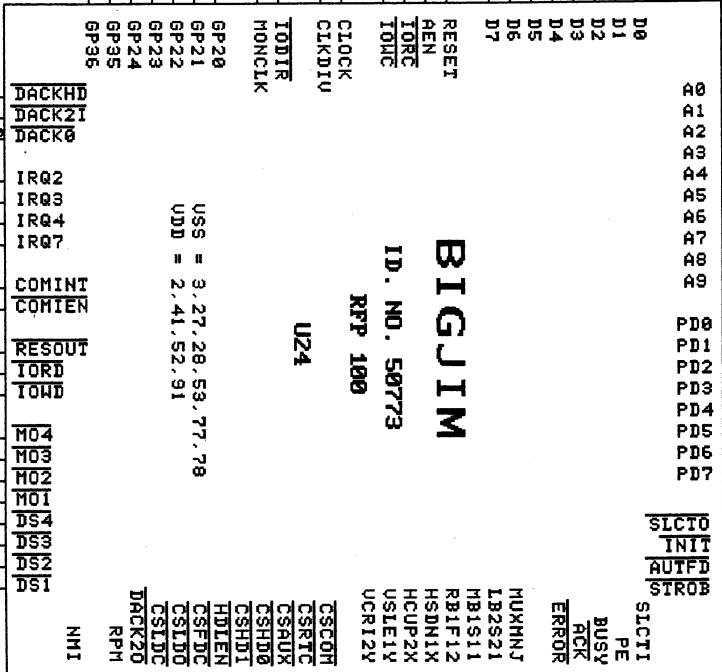
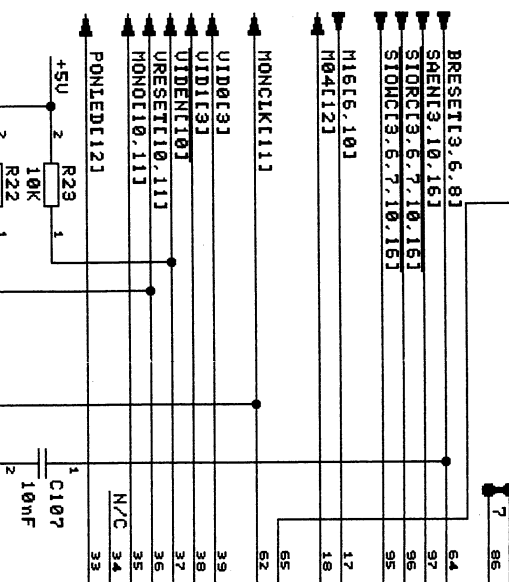
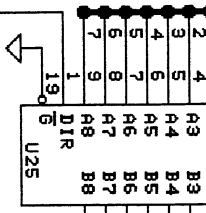
8 7 6 5 4 3 2 1

8 7 6 5 4 3 2 1

I/O-CHIP SELECT GENERATION, JOYSTICK/MOUSE
INTERFACE, DRIVE SELECT GENERATION

SA<0:9> [2,6-8,10,161]
IOD<0:7> [8,9,111]

SD<0:7>
[2,6,7,10,161]



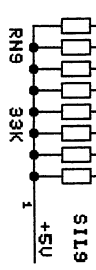
BIGJIM

ID. NO. 50773
RFP 100

USS = 3,27,28,53,77,78
UDD = 2,41,52,91

SMACK<0,2,3> [3,7,161]
IR0<2:4,7> [3,161]

COMINT[81]
COMOUT[81]
BRESET[7,81]
IORDIV[8,91]
IOMDIV[8,91]



NOTES: 1) J59 SELECTS BIGJIM AND
SARA BASE ADDRESS:
OPEN: 25Xh, CLOSED: 35Xh
2) J58 ONLY CLOSED FOR
SPECIAL TEST PURPOSES

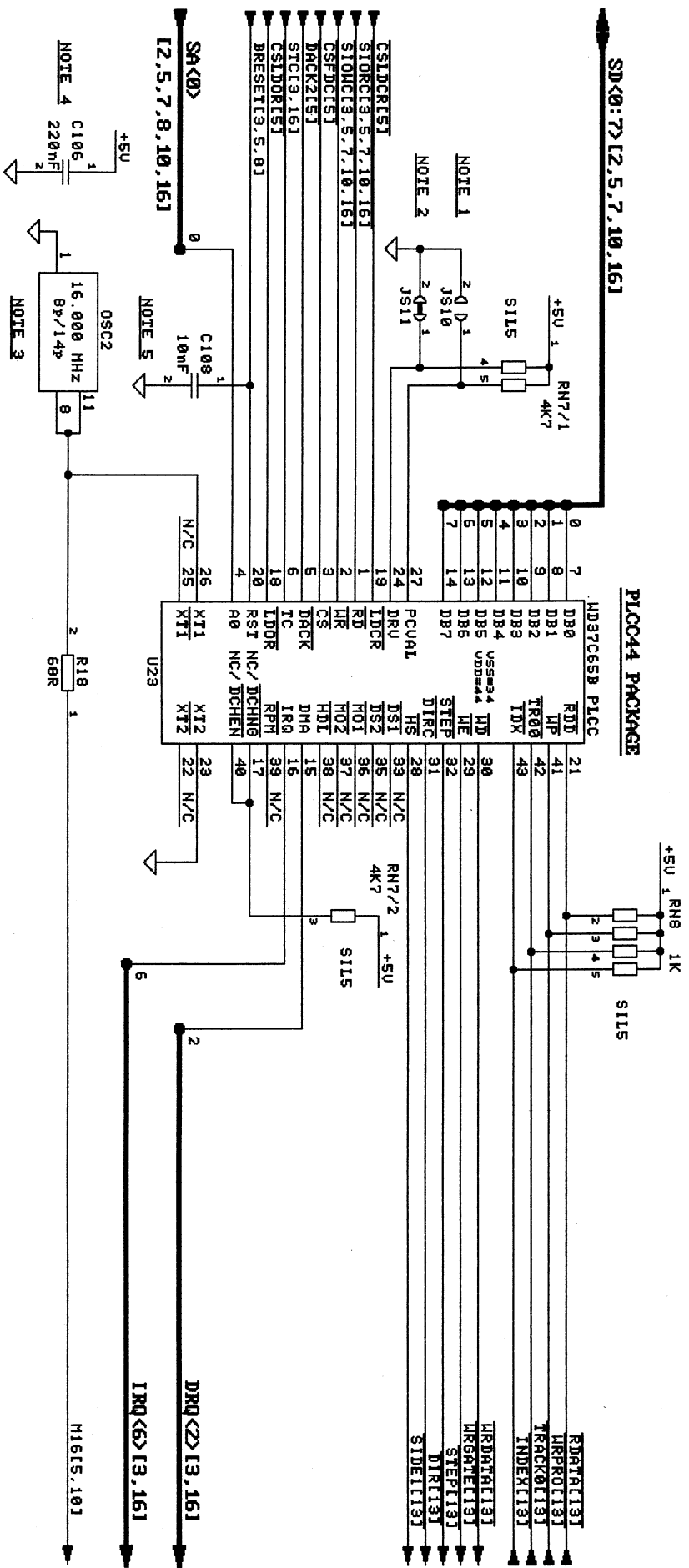
Schneider

DRAMA BY: H. ULLRICH
APPROVED: [Signature]
TITLE: SCHEMATIC EURO-PC II

USED ON: EURO-PC II
SIZE: A3
REV: 4

DATE: 05-22-89
SHEET: 5 of 18

FLOPPY DISK CONTROLLER

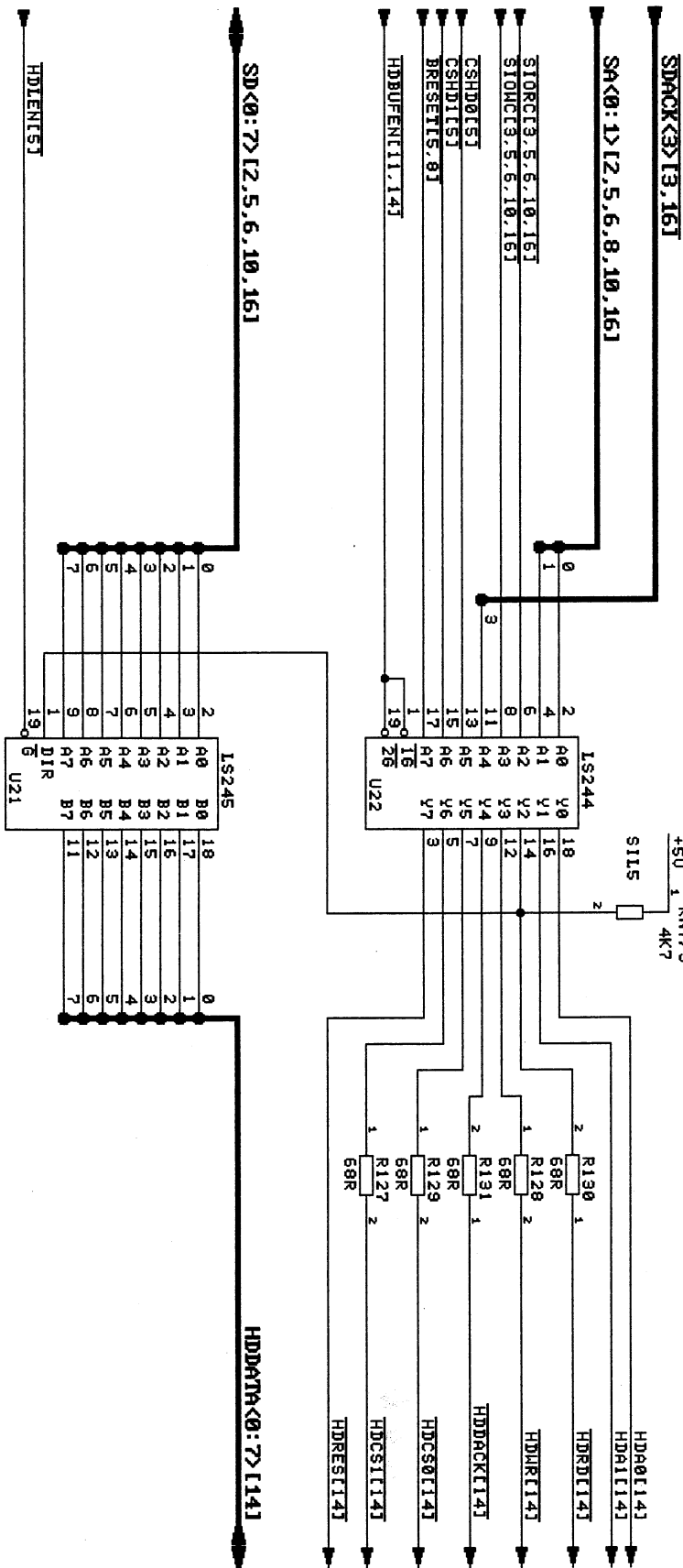


NOTES: 1) JS10 SELECTS WRITE PRECOMP. VAL.:
 JS10 OPEN : 125 ns
 JS10 CLOSED: 187 ns

- 2) JS11 SELECTS 2 SPEED SPINDLE DRIVE IF CLOSED
- 3) OSCILLATOR +- 100 ppm, CMOS OUTPUT. 8p OR 14p HOUSING
- 4) C106 IS BLOCK CAP FOR OSC2
- 5) C108 IS REQUIRED FOR MD37C65B TYPE FDC CONTROLLERS, LOCATED NEAR U23.

Schneider				TITLE:	
				SCHEMATIC	
DRAWN BY:		H. ULLRICH		TITLE:	
APPROVED:		EURO-PC II		SHEET: 6 OF 18	
USED ON:		EURO-PC II		REV	
DATE: 05-22-89		SIZE		A3	
		50841		4	

HARDISK-INTERFACE

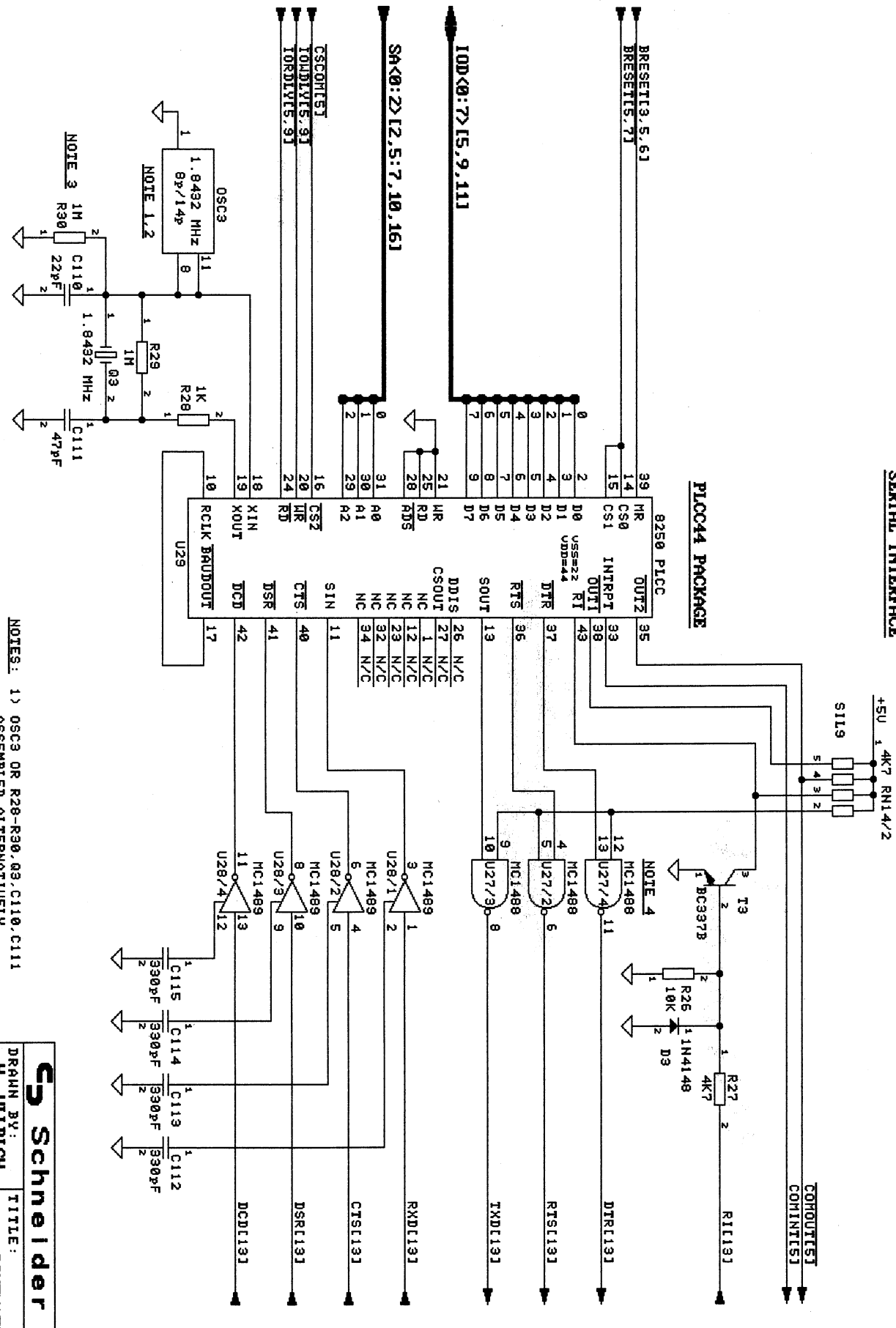


Schneider ECR-47

DRAWN BY: H. ULLRICH		TITLE: SCHEMATIC EURO-PC II	
APPROVED:		SIZE: A3	
USED ON: Euro-PC II	DATE: 05-22-89	50841	REV 4
SHEET: 7 of 18			

SERIAL INTERFACE

PLCC4 PACKAGE



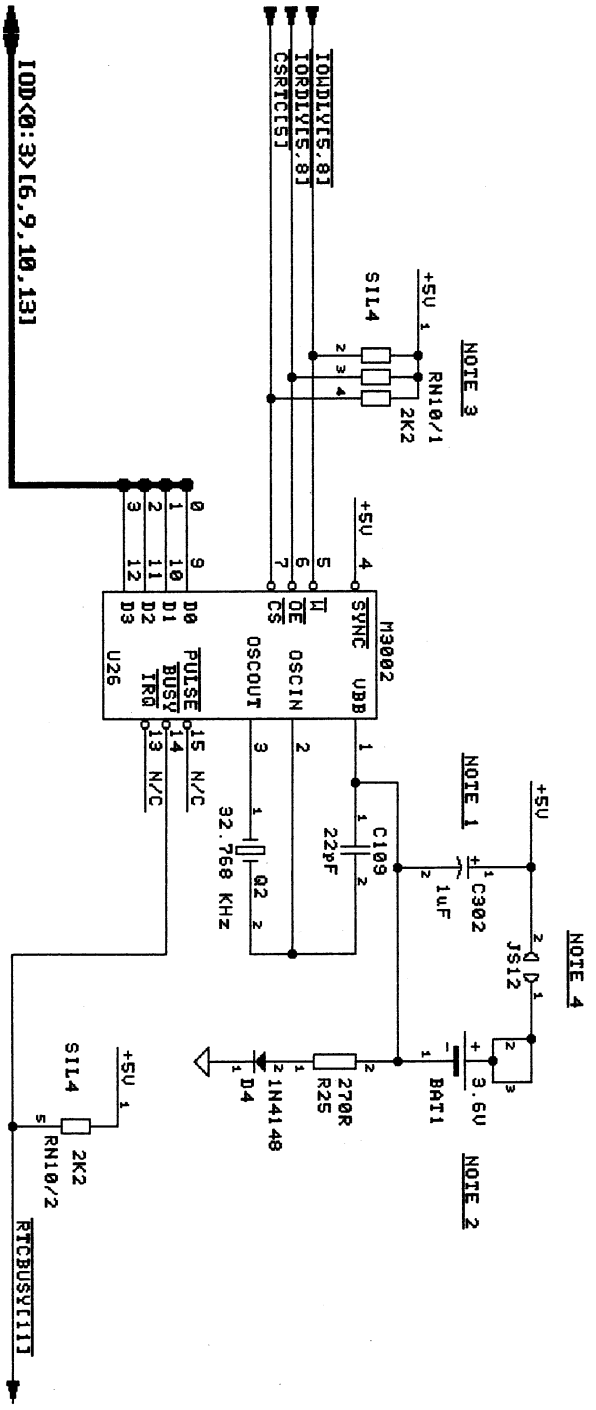
- NOTES: 1) OSC3 OR R28-R30, Q3, C110, C111 ASSEMBLED ALTERNATIVELY
 2) OSC3 HAS 8 π OR 14 π HOUSING
 3) R30 ASSEMBLED ONLY IF REQUIRED
 4) U27 HAS SPECIAL POWER PINS:
 +12U = PIN 14
 -12U = PIN 1
 GND = PIN 7

Schneider

DRÄHN BY: H. ULLRICH
 APPROVED: **SCHNEIDER**
 TITLE: **SCHEMATIC**
 USED ON: **EURO-PC II** SIZE: **A3**
 DATE: **05-22-89** SHEET: **8 of 18**

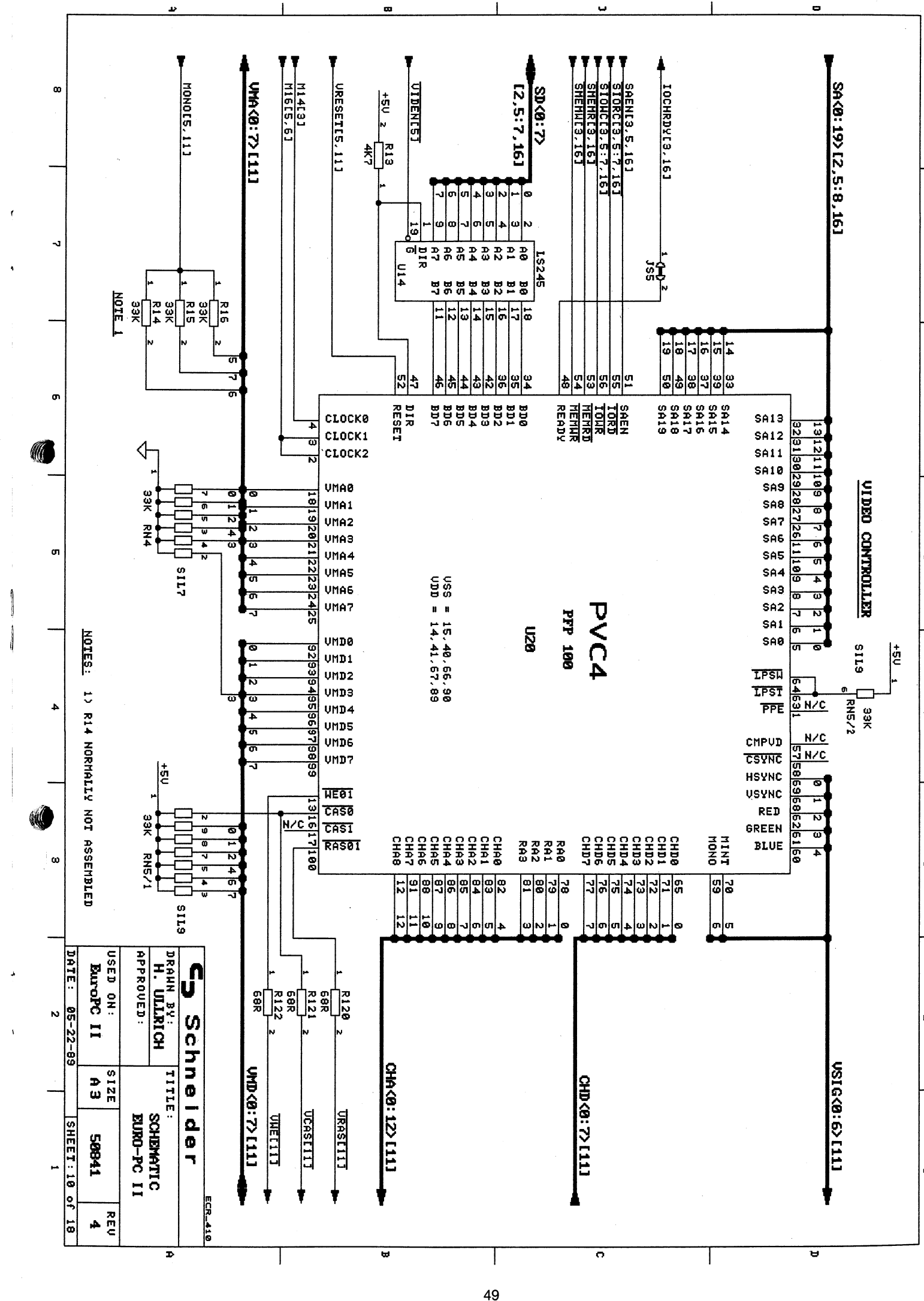
REVISION: **50841** REV: **4**

REAL TIME CLOCK



- NOTES:**
- 1) C302 IS A TANTALUM TYPE IT IS ONLY ASSEMBLED IF REQUIRED.
 - 2) BAT1 IS A NICH ACCU WITH 60mah CAPACITY
 - 3) RN10 ONLY ASSEMBLED IF REQUIRED
 - 4) JS12 MUST BE CLOSED AFTER ASSEMBLY OF BAT1

		TITLE:	
		SCHEMATIC EURO-PC II	
DRAWN BY:		APPROVED:	
H. ULLRICH			
USED ON:	SIZE	REV	
Euro-PC II	A3	50841	4
DATE:	SHEET:		
05-22-89	9 OF 18		



VIDEO CONTROLLER

S119
RNS/2

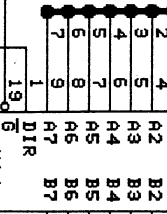
SA<0:19> [2, 5, 8, 16]

USIG<0:6> [111]

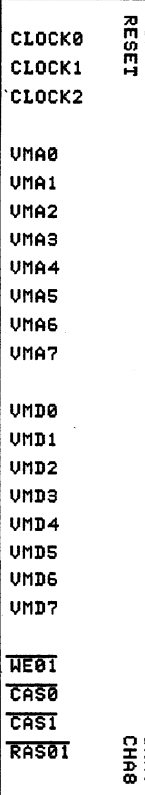
IOCHRDV<3, 16>

SAEN<3, 5, 16>
STOR<3, 5, 7, 16>
SHEM<3, 16>
SHEM<3, 16>

SD<0:7> [2, 5, 7, 16]



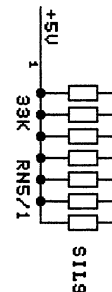
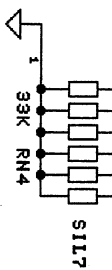
U20
PVP 100
USS = 15, 40, 66, 90
UDD = 14, 41, 67, 89



UM<0:7> [111]

UMD<0:7> [111]

MONOFS, 111



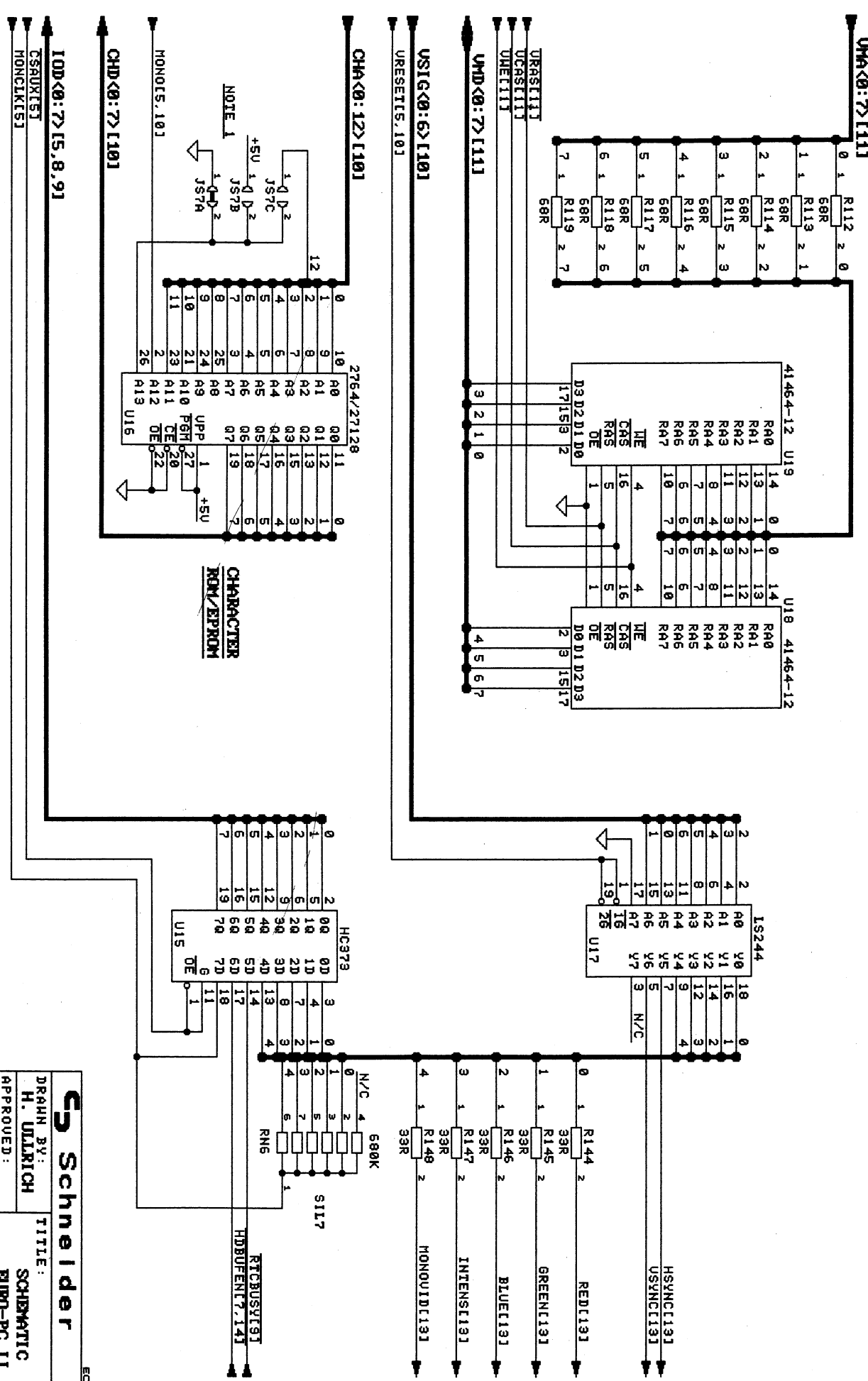
NOTES: 1) R14 NORMALLY NOT ASSEMBLED

Schnelder EGR-410

DRAWN BY: H. ULTRICH
TITLE: SCHEMATIC EURO-PC II
APPROVED: [Signature]

USED ON: DATE: 05-22-89
SIZE: A3
SHEET: 10 of 18
REV: 4

VIDEO RAM, CHARACTER EPROM, VIDEO BUFFER



NOTES: 1) JS7A,B,C HAVE EFFECT ONLY IF 27128 ROM/EPROM IS USED!
 IN THIS CASE AN ALTERNATE MONO/COLOR CHARACTER SET CAN BE SELECTED:
 JS7A CLOSED: NORMAL CHARSET ACTIVE
 JS7B CLOSED: ALTERNATE CHARSET ACTIVE
 JS7C CLOSED: SELECTION BY SOFTWARE

Schneider ECR-411

DRAWN BY: H. ULRICH
 APPROVED: [Signature]

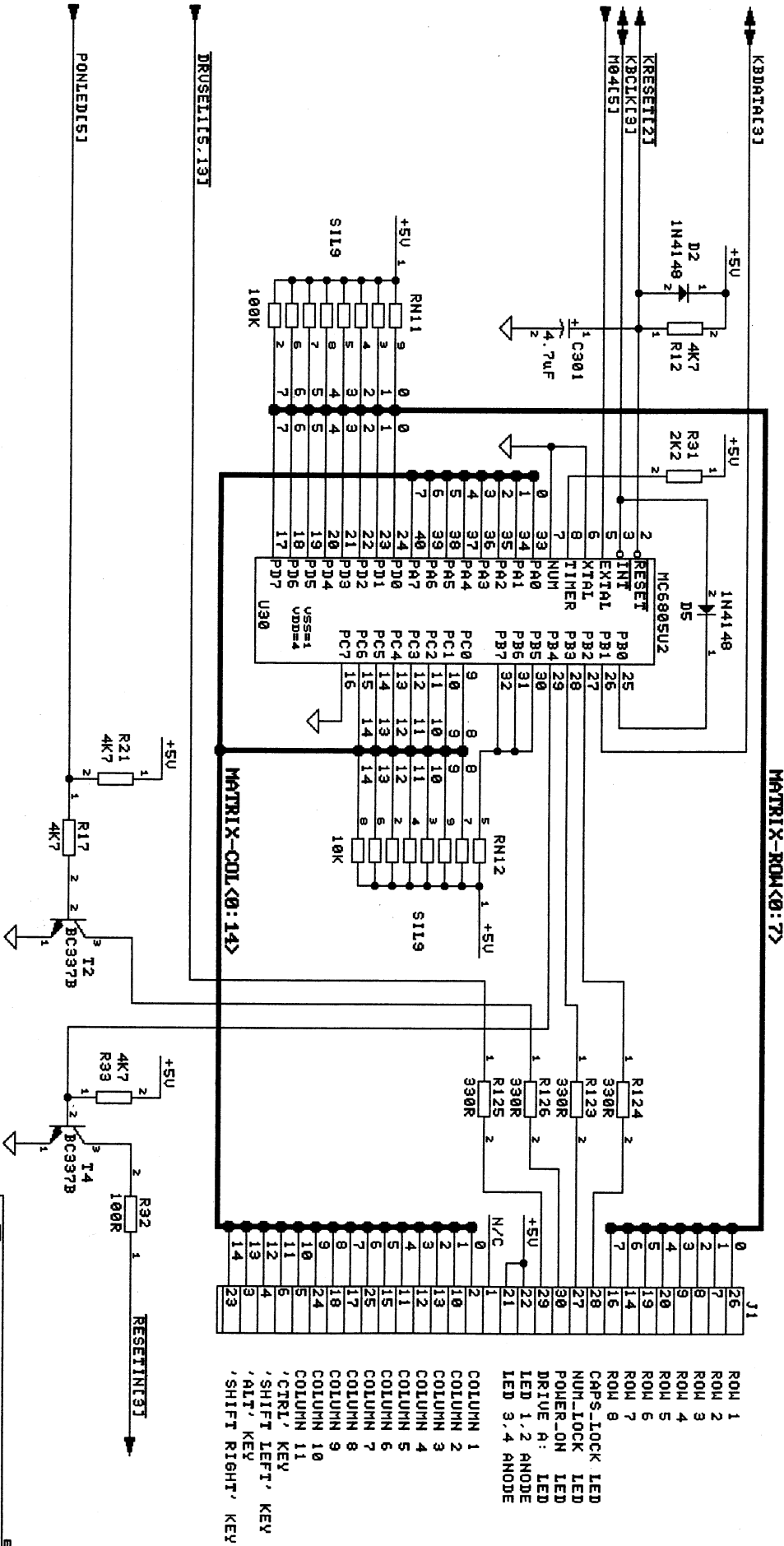
TITLE: SCHEMATIC EURO-PC II

USED ON: EUROPC II SIZE A3
 DATE: 05-22-89 SHEET: 11 of 18

REV 4

KEYBOARD CONTROLLER

KEYBOARD-MATRIX CONNECTOR



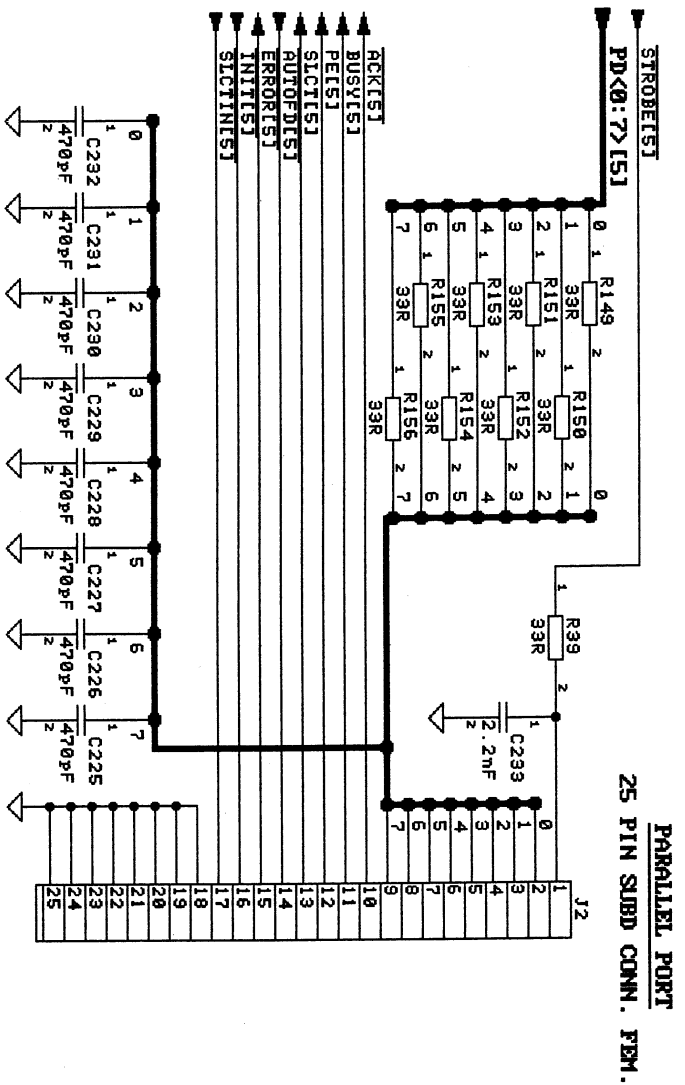
- ROM 1
- ROM 2
- ROM 3
- ROM 4
- ROM 5
- ROM 6
- ROM 7
- ROM 8
- CAPS-LOCK LED
- NUM-LOCK LED
- POWER-ON LED
- DRIVE A: LED
- LED 1.2 ANODE
- LED 3.4 ANODE
- COLUMN 1
- COLUMN 2
- COLUMN 3
- COLUMN 4
- COLUMN 5
- COLUMN 6
- COLUMN 7
- COLUMN 8
- COLUMN 9
- COLUMN 10
- COLUMN 11
- 'CTRL' KEY
- 'SHIFT LEFT' KEY
- 'ALT' KEY
- 'SHIFT RIGHT' KEY

Schneider

DRAWN BY: H. ULLRICH
 APPROVED: [Signature]
 TITLE: SCHEMATIC EURO-PC II

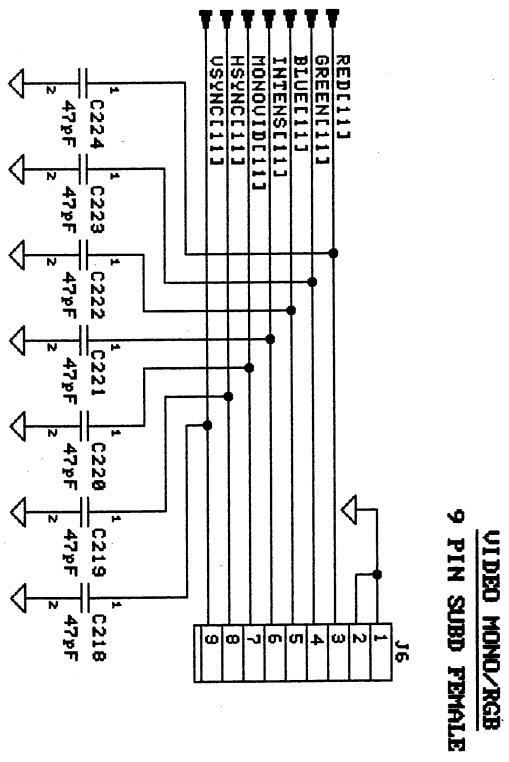
USED ON: EuroPC II
 SIZE: A3
 SHEET: 12 OF 18

DATE: 05-22-89
 SHEET: 12 OF 18



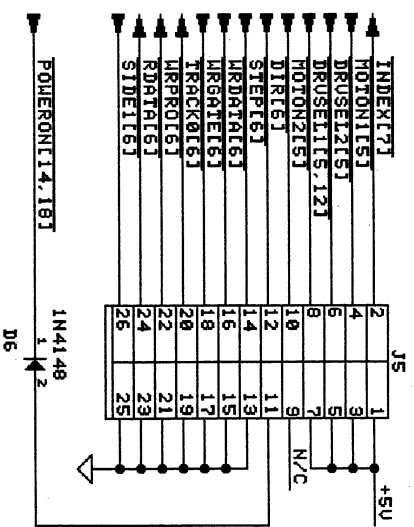
PARALLEL PORT
25 PIN SUBD CONN. FEM.

SERIAL PORT
9 PIN SUBD CONN. MALE



VIDEO MONO/RGB
9 PIN SUBD FEMALE

INTERNAL AND EXTERNAL FLOPPY DRIVE
HEADER ASSY DUAL ROW 26 PIN



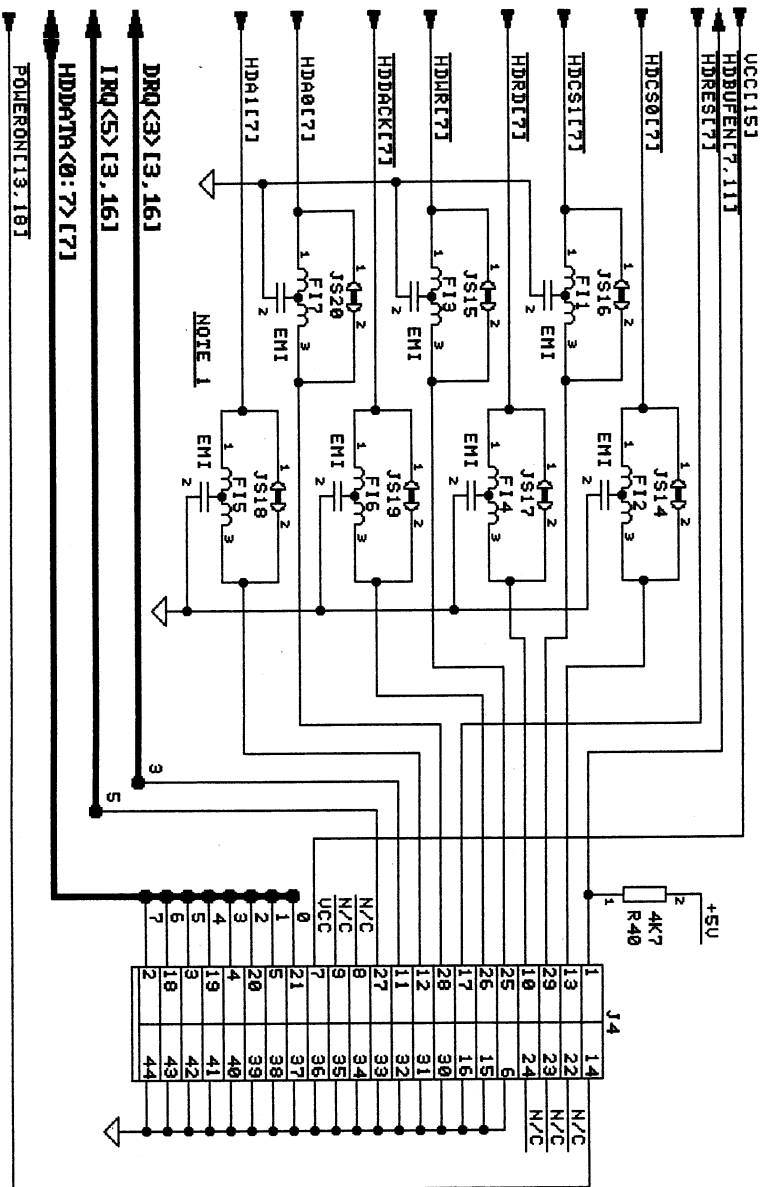
CONNECTORS I

Schneider
EGR-413

DRAWN BY: H. ULLRICH
APPROVED: [Signature]
TITLE: SCHEMATIC
BURO-PC II

USED ON: EuroPC II
SIZE: A3
58841
REV: 4

DATE: 05-22-89
SHEET: 13 of 18



EXTERNAL HARDDISK DRIVE
44 PIN MICRO-D CONN. FEMALE

CONNECTORS II

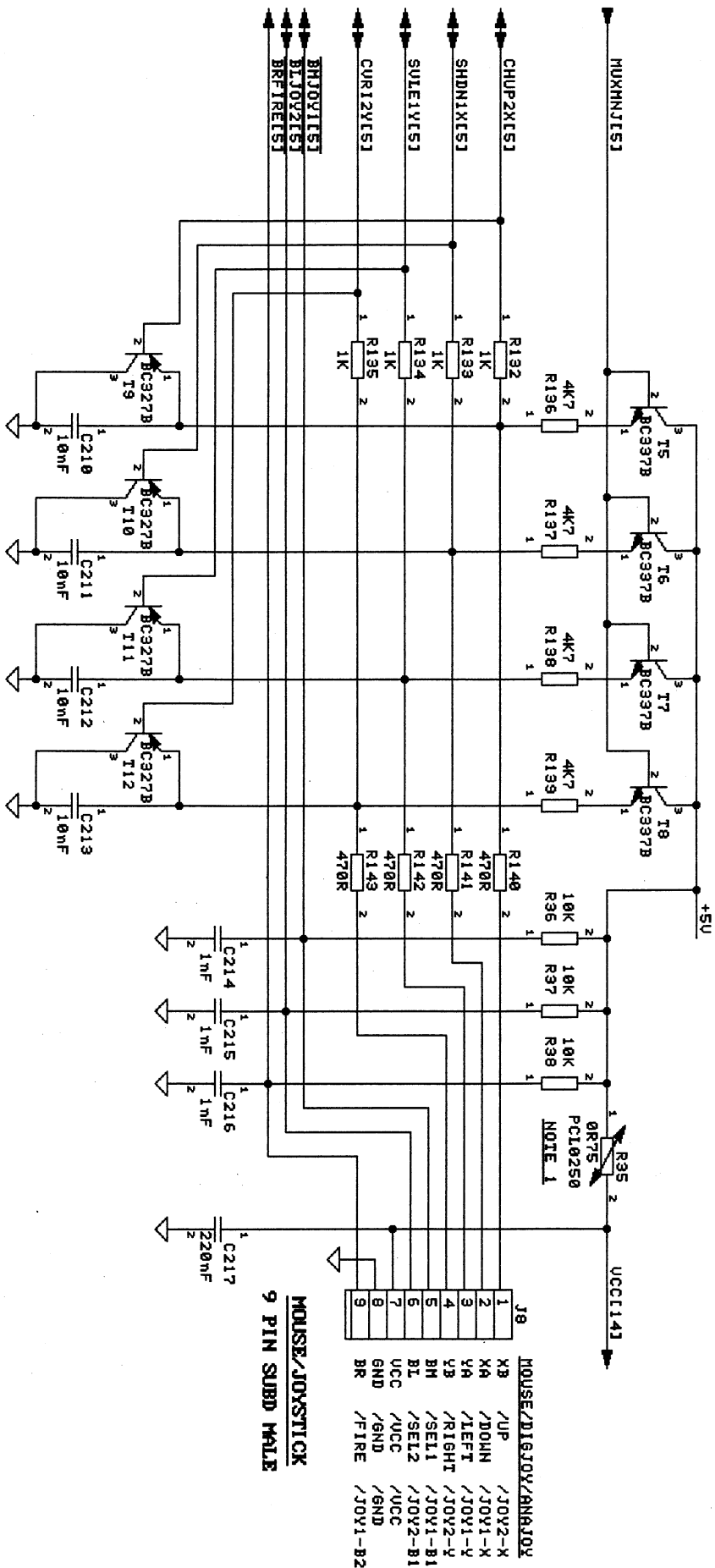
Schneider

DRAWN BY: H. ULLRICH
APPROVED: [Signature]
TITLE: SCHEMATIC
EURO-PC II

USED ON: SIZE A3
EUROPC II 50841
REV 4

DATE: 05-22-89 SHEET: 14 of 18

NOTES: 1) EMI FILTER F11-F17 NORMALLY NOT ASSEMBLED. IF FIX IS ASSEMBLED CORRESPONDING SOLDER JUMPER JSX MUST BE OPENED



MOUSE/JOYSTICK
9 PIN SUBD MALE

J8	HOUSE/DIGIJOY/ANALOY
1	/UP
2	/DOWN
3	/JOY1-X
4	/LEFT
5	/RIGHT
6	/SEL1
7	/SEL2
8	/UCC
9	/GND
	/FIRE
	/JOY1-B2

CONNECTORS III

Schneider

DRAWN BY: H. ULLRICH
APPROVED:

TITLE: SCHEMATIC
EURO-PC II

USED ON: EUROPC II

SIZE: A3

50841

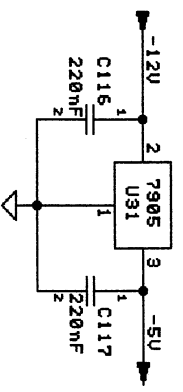
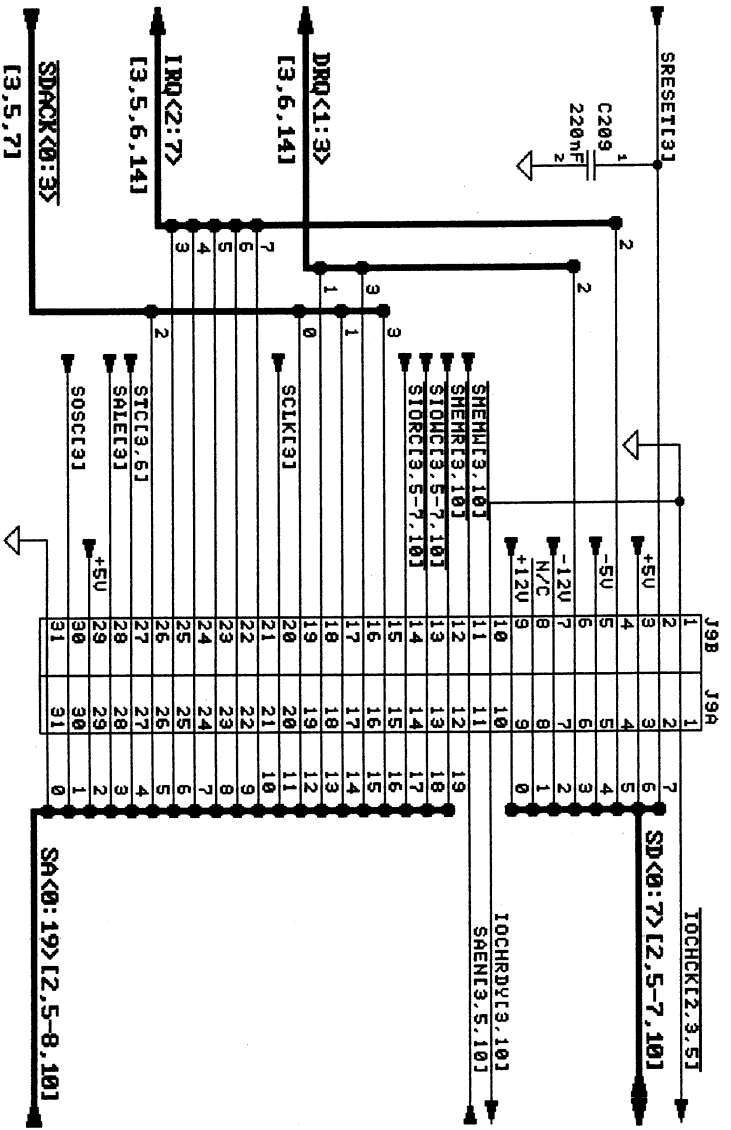
REV 4

DATE: 05-22-89

SHEET: 15 OF 18

NOTES: 1) R35 IS A PTC RESISTOR
FOR CURRENT LIMITATION

EXPANSION SLOT
62 PIN CARTRIDGE CONN.



CONNECTORS IV

Schneider

ECR-416

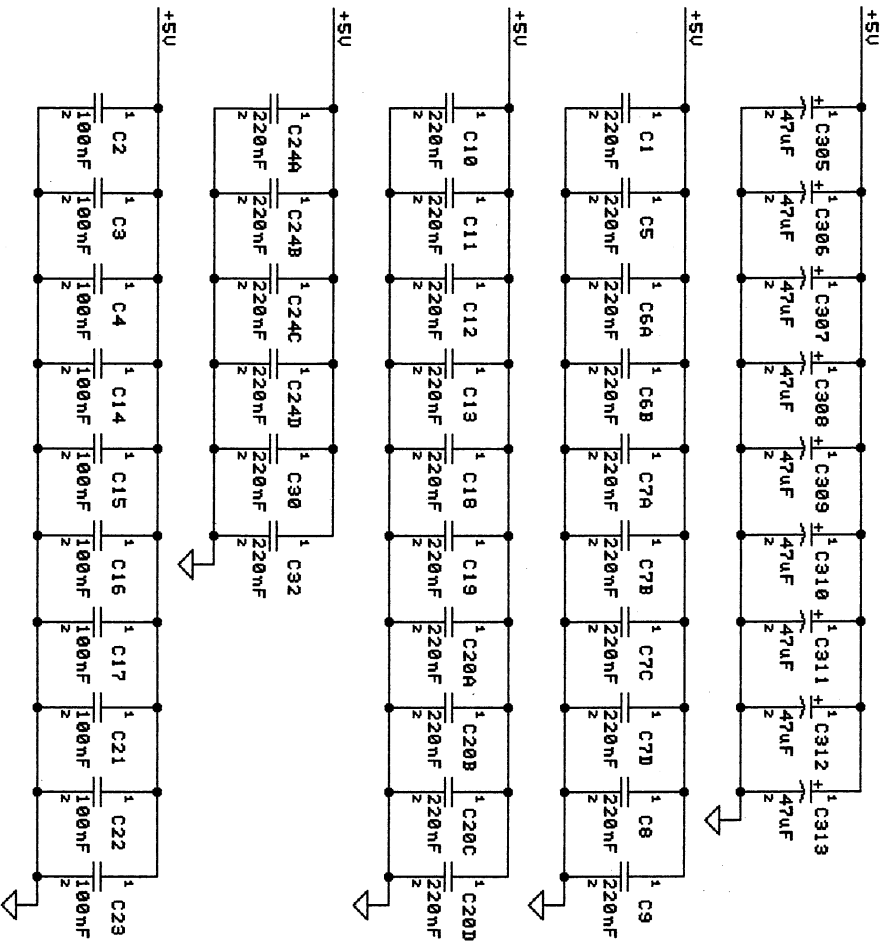
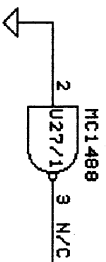
DRAWN BY: H. ULRICH
 APPROVED: [Signature]
 TITLE: SCHEMATIC EURO-PC II

USED ON: EUROPC II
 SIZE: A3
 SHEET: 16 of 18

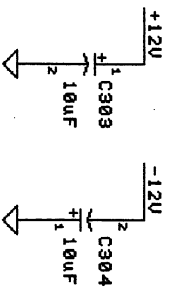
DATE: 05-22-89
 SHEET: 16 of 18

BLOCK CAPS +5U:
 9 x 47uF/16V
 26 x 220nF
 13 x 100nF

SPARE GATES:



BLOCK CAPS +12V/-12V
 2 x 10uF/25V



BLOCK CAPS, SPARE GATES

NOTE: BLOCK CAPS ONLY ASSEMBLED IF REQUIRED

Schneider

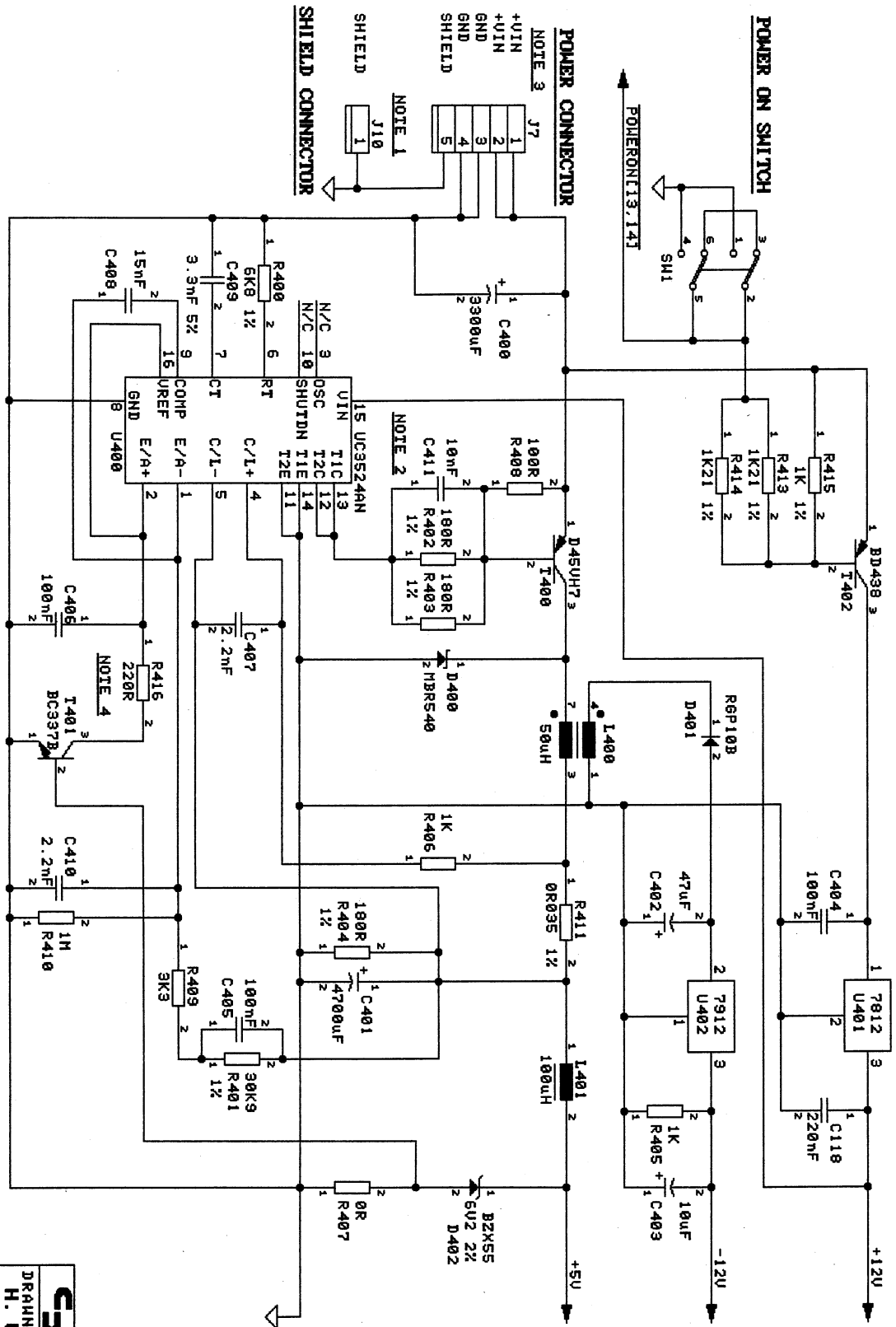
EGR-417

DRAWN BY: H. ULLRICH
 APPROVED:
 TITLE: SCHEMATIC BURD-PC II

USED ON: Bur-PC II
 SIZE: A3
 SHEET: 17 OF 18

DATE: 05-22-89
 SHEET: 17 OF 18

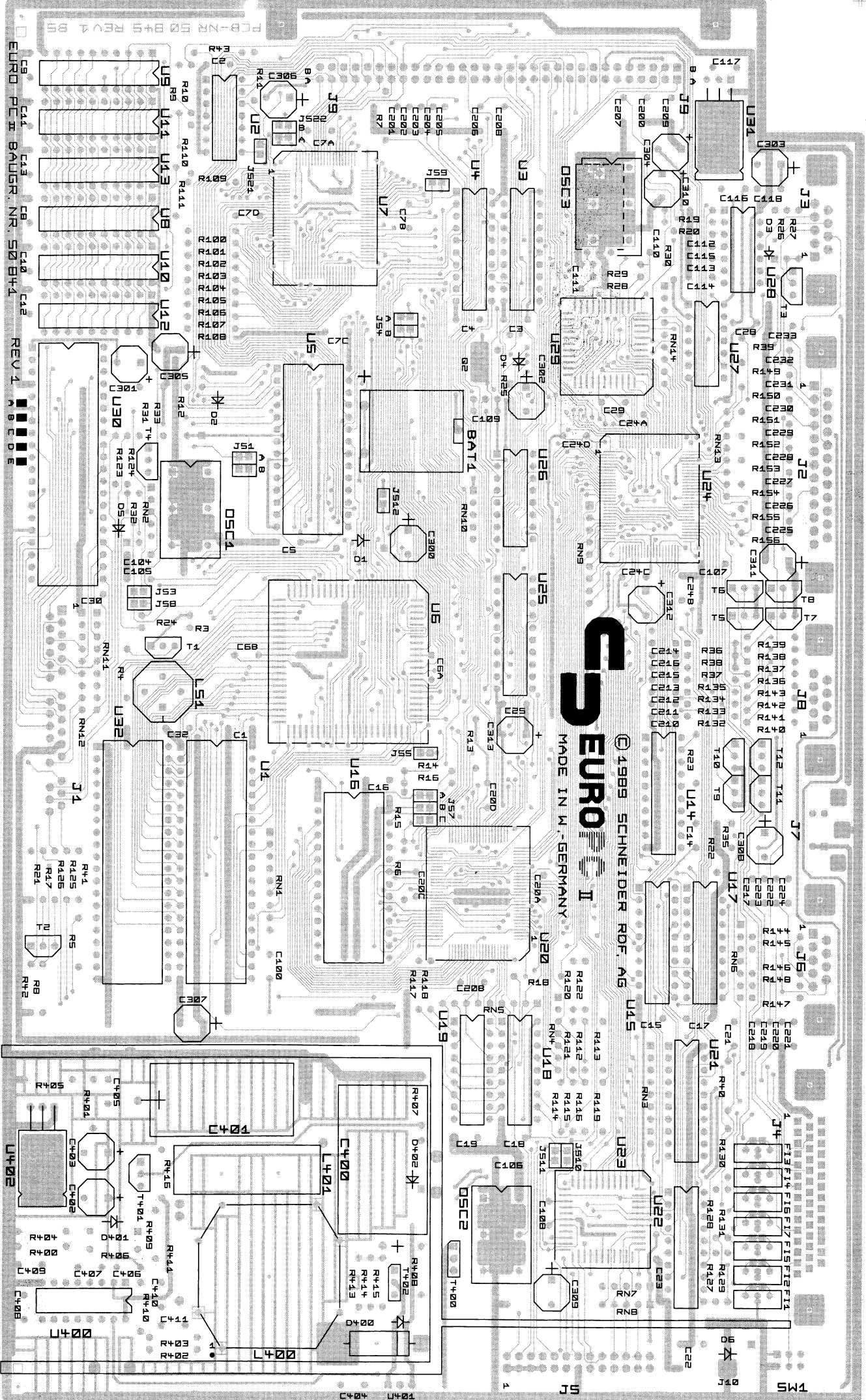
POWER SUPPLY



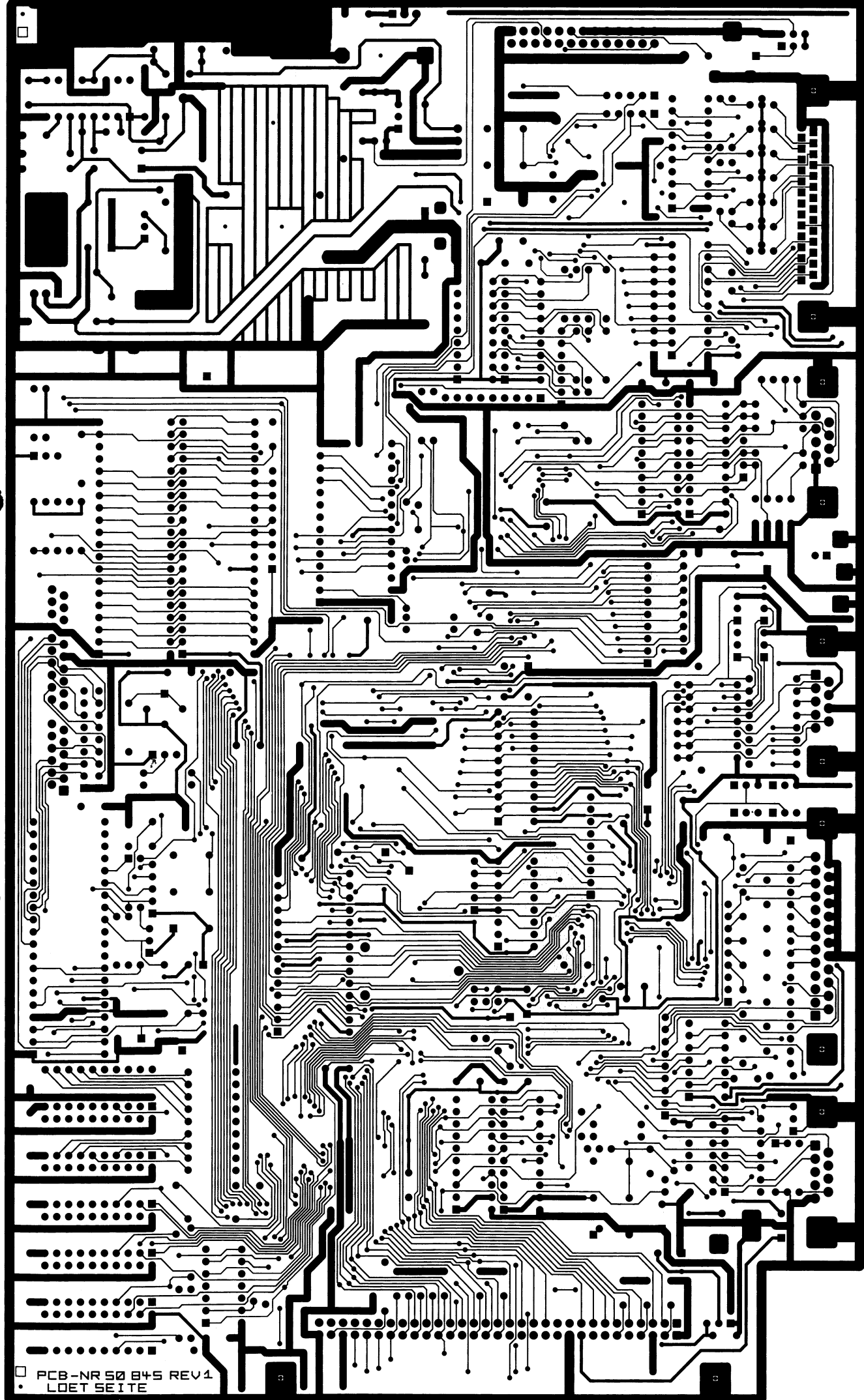
- NOTES: 1) J10 CONNECTS KEYBOARD PLATE AND EXT. FDD PANEL.
 2) J10 IS A FASTON 2.8 X 0.8 mm CONN.
 3) C411 ONLY ASSEMBLED IF REQUIRED
 4) T401 AND R416 NOT ASSEMBLED

Schneider		TITLE:	
DRAWN BY: H. ULLRICH		SCHEMATIC	
APPROVED:		EURO-PC II	
USED ON:	SIZE:	REV:	
EURO-PC II	A3	50841	4
DATE: 08-29-89	SHEET: 18 of 18		

Component side
Rev. 1



Soldering side
Rev. 1



□ PCB-NR 50 B45 REV.1
• LOET SEITE

Ersatzteilliste für Systemeinheit Euro PC II
Parts List for System Unit Euro PC II

Best.-Nr. Part.-No.	Bezeichnung	Description	Zeich.-Pos. Ref.-No.	Preisgruppe
50 100 00	IC SAB 80 88-1 P	IC SAB 80 88-1 P	U 1	C 9
50 123 00	IC 74 F 00	IC 74 F 00	U 2	A 5
50 128 00	IC 74 LS 244	IC 74 LS 244	U 3, 4	B 0
50 145 00	IC BIOS 27256-17	IC BIOS 27256-17	U 5	C 9
50 103 00	IC FE 2010 A	IC FE 2010 A	U 6	E 3
50 774 00	IC SARA MSM 79H000	IC SARA MSM 79H000	U 7	C 7
50 160 00	IC DRAM 256K x 4	IC DRAM 256K x 4	U 8-13	D 0
50 129 00	IC 74 LS 245	IC 74 LS 245	U 14	B 0
50 125 00	IC 74 HC 373	IC 74 HC 373	U 15	A 7
50 146 00	IC ROM 64K 200nS (D)	IC ROM 64K 200nS (D)	U 16	C 3
50 128 00	IC 74 LS 244	IC 74 LS 244	U 17	B 0
50 110 00	IC DRAM 64K x 4	IC DRAM 64K x 4	U 18, 19	D 4
50 104 00	IC PVC 4	IC PVC 4	U 20	E 5
50 129 00	IC 74 LS 245	IC 74 LS 245	U 21	B 0
50 128 00	IC 74 LS 244	IC 74 LS 244	U 22	B 0
50 105 00	IC WD 37C65A/B-JM00	IC WD 37C65A/B-JM00	U 23	D 5
50 773 00	IC BIG JIM TC110 G008	IC BIG JIM TC110 G008	U 24	D 1
50 129 00	IC 74 LS 245	IC 74 LS 245	U 25	B 0
50 108 00	IC M 3002	IC M 3002	U 26	C 3
50 120 00	IC MC 1488	IC MC 1488	U 27	A 5
50 121 00	IC MC 1489	IC MC 1489	U 28	A 5
50 910 00	IC 8250 PLCC	IC 8250 PLCC	U 29	C 3
50 102 00	IC MC 6805 U2	IC MC 6805 U2	U 30	C 3
50 238 00	IC 7905 TO 220	IC 7905 TO 220	U 31	A 6
51 094 00	IC UC 3524 AN	IC UC 3524 AN	U 400	B 4
51 098 00	IC 7812 CV	IC 7812 CV	U 401	A 5
51 099 00	IC 7912 CV	IC 7912 CV	U 402	A 5
50 711 00	IC ROM 64K 200nS (P)	IC ROM 64K 200nS (P)	U 16	C 3
50 712 00	IC ROM 64K 200nS (GR)	IC ROM 64K 200nS (GR)	U 16	C 3
50 713 00	IC ROM 64K 200nS (DK/N)	IC ROM 64K 200nS (DK/N)	U 16	C 3

Note: All spare parts with countryindex are reserved for foreign distributors only.

Ersatzteilliste für Systemeinheit Euro PC II
Parts List for System Unit Euro PC II

Best.-Nr. Part.-No.	Bezeichnung	Description	Zeich.-Pos. Ref.-No.	Preisgruppe
10 801 00	Transistor BC 327-16	Transistor BC 327-16	T 1, 9-12	A 6
10 802 00	Transistor BC 337-16	Transistor BC 337-16	T 2-8	A 6
51 095 00	Transistor D 45 VH 7	Transistor D 45 VH 7	T 400	B 5
50 848 00	Transistor BD 438	Transistor BD 438	T 402	A 3
11 241 00	Diode 1 N 4148	Diode 1 N 4148	D 1-6	A 2
51 096 00	Diode SB 540	Diode SB 540	D 400	B 0
51 100 00	Diode RGP 10 B	Diode RGP 10 B	D 401	A 9
51 101 00	Z-Diode BZX 55 6V2	Z-Diode BZX 55 6V2	D 402	A 1
51 040 00	Quarz 32.768 kHz	Crystal 32,768 kHz	Q 2	A 7
50 312 00	Quarz 1.8432 MHz HC-18U	Crystal 1,8432 MHz HC-18U	Q 3	B 5
51 041 00	Oszillator 28,636 MHz	Oscillator 28.636 MHz	OSC 1	C 3
50 313 00	Oszillator 16 MHz	Oscillator 16 MHz	OSC 2	C 3
50 319 00	R-Netzwerk 8 x 4K7	R, Network 8 x 4K7	RN 1	A 3
51 048 00	R-Netzwerk 4 x 4K7	R, Network 4 x 4K7	RN 2	A 3
50 319 00	R-Netzwerk 8 x 4K7	R, Network 8 x 4K7	RN 3	A 3
51 049 00	R-Netzwerk 6 x 33K	R, Network 6 x 33K	RN 4	A 3
51 050 00	R-Netzwerk 8 x 33K	R, Network 8 x 33K	RN 5	A 3
50 230 00	R-Netzwerk 6 x 680K	R, Network 6 x 680K	RN 6	A 3
51 048 00	R-Netzwerk 4 x 4K7	R, Network 4 x 4K7	RN 7	A 3
51 046 00	R-Netzwerk 4 x 1K	R, Network 4 x 1K	RN 8	A 3
51 050 00	R-Netzwerk 8 x 33K	R, Network 8 x 33K	RN 9	A 3
51 047 00	R-Netzwerk 4 x 2K2	R, Network 4 x 2K2	RN 10	A 3
51 051 00	R-Netzwerk 8 x 100K	R, Network 8 x 100K	RN 11	A 3
50 316 00	R-Netzwerk 8 x 10K	R, Network 8 x 10K	RN 12	A 3
50 317 00	R-Netzwerk 8 x 1K	R, Network 8 x 1K	RN 13	A 3
50 319 00	R-Netzwerk 8 x 4K7	R, Network 8 x 4K7	RN 14	A 3
50 321 00	PTC PCL 0250,0	PTC PCL 0250.0	R 35	A 9
51 102 00	Drossel BV 703300-51	Coil BV 703300-51	L 400	C 2
51 103 00	Drossel	Coil	L 401	A 4
50 844 00	Schalter	Switch	SW 1	B 0
50 126 00	Batterie 3,6 V	Battery 3.6 V	BAT 1	B 8
50 332 00	Piepser	Buzzer	LS 1	A 8
51 298 00	Knopf EIN/AUS	Knob ON/OFF		A 5
50 137 00	Stecker FPC 30pol.	Socket FPC 30-pin	J 1	B 5
50 133 00	Buchse SUB-D 25pol.	Socket SUB-D 25-pin	J 2	B 2
50 131 00	Buchse SUB-D 9pol.	Socket SUB-D 9-pin	J 3	A 9
50 134 00	Buchse HDD 22 44pol.	Socket HDD 22 44-pin	J 4	C 7
51 569 00	Stiftleiste RM 2,54 26pol.	Socket RM 2, 26-pin.	J 5	A 7
50 132 00	Buchse SUB-D 9pol.	Socket SUB-D 9-pin	J 6	B 0
51 057 00	Buchse JST MD-S 4000-10	Socket JST MD-S 4000-10	J 7	A 9
50 138 00	Stecker CARDEDGE 2 x 31pol.	Socket CARDEDGE 2 x 31-pin	J 9	C 1

CAUTION:

Danger of explosion if battery is incorrectly replaced. Replace only with the same or equivalent type recommended by the equipment manufacturer. Discard used batteries according to manufacturer's instructions.

Ref.: IEC/74 (Central Office) 104.