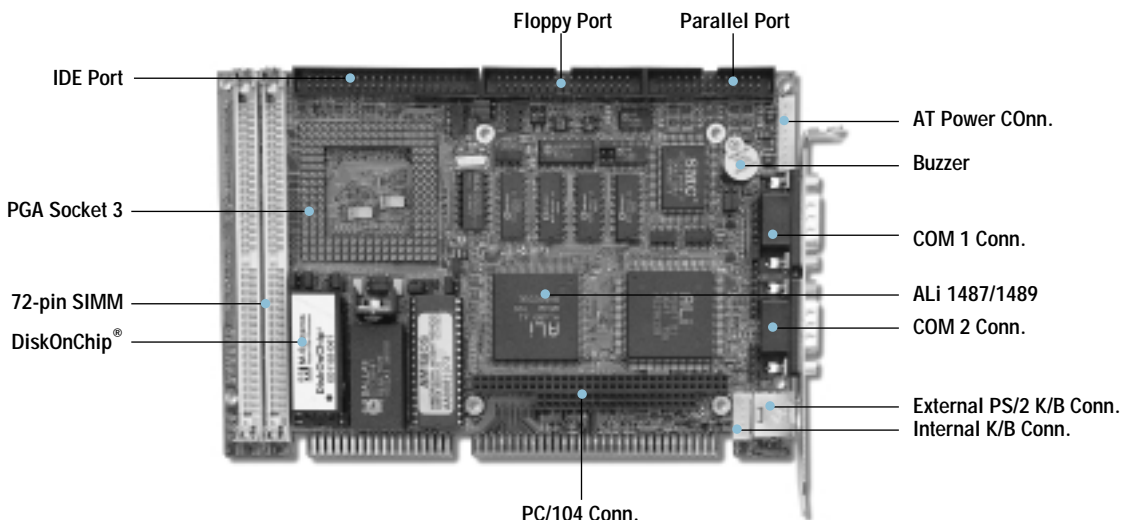


SBC8241

Half-size			DiskOnChip®
ISA			Flash BIOS
486		PC/104	

486 SBC with Highest Reliability & Cost Efficiency



SPECIFICATIONS

CPU Socket	* PGA Socket 3
Chipset	* ALi 1487/1489 Core Logic Controller
Bus Clock	* 33MHz
Processor	* Intel® 486 SX-33, DX-33, DX2-66, DX4-100 * AMD 486DX-33, DX2-66(NV8T), DX4-100, 5x86-133 * Cyrix 5x86 DX-33, DX2-66, DX4-100, 5x86-100 * SGS Thomas ST486DX4-100 * Texas Instruments 486DX2-66, DX4-100
Cache Size	* 256KB Write Back Cache RAM
Memory	* Two 72-pin SIMM Sockets * Max. FPM/EDO up to 64MB
Onboard IDE	* PIO Mode 0-4, DMA Mode 0-1 and One Channel up to 2 Devices * Enhanced IDE ATAPI/16.6
Onboard Multi I/O	* One Floppy Port (Box-header) Supports up to 2 Devices * One SPP/EPP/ECP Parallel Port (Box-header) * Two 16550 UARTs Compatible Serial Ports with COM1 as RS-232 (Box-header) and COM2 (Box-header) Jumper Selectable as RS-232/422/485
Keyboard	* PS/2 Type (Mini-Din Connector) * Internal 5-pin Box-header
Watchdog Timer	* System Reset or Non-Maskable Interrupt Software Programmable Timer Interval and Jumper Selectable * 16 Levels, 0.5~1000 Seconds
BIOS	* AMI BIOS with DMI, Plug-and-Play & Y2K Compliant in 1Mbit Flash ROM
RTC	* Dallas/ST 12887 or The Latest Components
Onboard SSD	* M-Systems DiskOnChip® Support
Extension	* One 16-bit PC/104 Connector
Other Features	* Internal Power Connector

ORDERING INFORMATION

SBC8241 486 Half-size CPU Card with SSD Support