

VIPer809

**486/5x86 SINGLE BOARD COMPUTER
TECHNICAL REFERENCE MANUAL
VERSION 1.2, AUGUST 1998**

**TEKNOR INDUSTRIAL COMPUTERS INC.
616 Cure Boivin
Boisbriand, Quebec
J7G 2A7 CANADA**

NOTE:

This manual is for reference purposes only.
Reproduction in whole or in part is authorized
provided TEKNOR INDUSTRIAL COMPUTERS
INC. is cited as the original source.

ref: M809S_1-2

FOREWORD

The information in this document is provided for reference purposes only. TEKNOR does not assume any liability for the application of information or the use of products described herein.

This document may contain information or refer to products protected by the copyrights or patents of others and does not convey any license under the patent rights of TEKNOR, nor the rights of others.

Printed in Canada.

Copyright 1998 by TEKNOR INDUSTRIAL COMPUTERS INC., Boisbriand, Qc J7G 2A7.

TABLE OF CONTENTS

LIST OF DIAGRAMS	x
LIST OF TABLES	xi
READ ME FIRST	1
INTRODUCTION	1
PART ONE	
INSTALLING & SETTING UP VIPer	
SECTION 1	
INSTALLATION & SETUP	1-1
1.01 GETTING STARTED	1-1
1.02 HOW THE BOARD CAN BE USED	1-2
1.03 IMPORTANT PRECAUTIONS WHEN WORKING WITH A BOARD	1-3
1.04 UNPACKING	1-4
SECTION 2	
INSTALLING MEMORY	2-1
2.01 TYPES OF MEMORY ON BOARD	2-1
2.02 SIMM CONFIGURATION & INSTALLATION	2-7
SECTION 3	
SETTING JUMPERS	3-1
3.01 TERMINOLOGY	3-1
3.02 JUMPER LOCATIONS ON THE BOARD	3-1
3.03 JUMPER SETTINGS	3-5

SECTION 4	
INSTALLING & WORKING WITH SYSTEM COMPONENTS	4-1
4.01 MICROPROCESSOR	4-1
4.02 CONFIGURING CACHE	4-3
4.03 SYSTEM CONTROLLER OVERVIEW	4-4
4.04 SUPERVISOR UTILITIES	4-6
4.05 MULTI-FUNCTION CONNECTOR (KEYBOARD, SPEAKER, RESET & LED)	4-7
4.06 PC/104 EXPANSION CARDS	4-8
4.07 PS/2 MOUSE	4-8
SECTION 5	
INSTALLING PERIPHERALS (PARALLEL/SERIAL)	5-1
5.01 PARALLEL PORT	5-1
5.02 SERIAL PORTS	5-6
SECTION 6	
INSTALLING IDE, FLOPPY & SCSI DEVICES	6-1
6.01 INSTALLING IDE DEVICES	6-1
6.02 INSTALLING FLOPPY DEVICES	6-5
6.03 INSTALLING SCSI DEVICES	6-10
SECTION 7	
INSTALLING SOLID STATE DISKS (FLASH, SRAM)	7-1
7.01 SRAM DISK	7-1
7.02 FLASH EPROM DISK	7-3

SECTION 8	
INSTALLING VIDEO	8-1
8.01 FLAT PANEL / CRT SVGA CONTROLLER	8-1
8.02 CONNECTING CRT VIDEO DISPLAY	8-2
8.03 CONNECTING FLAT PANEL VIDEO DISPLAY	8-5
8.04 VIDEO FEATURE / V-PORT CONNECTOR (J6)	8-9
SECTION 9	
POWER MANAGEMENT	9-1
9.01 POWER SUPPLY SOURCE	9-1
9.02 POWER MANAGEMENT MODES	9-2
9.03 RESET CIRCUIT	9-3
9.04 POWER FAIL DETECTION CIRCUIT	9-4
9.05 WATCHDOG TIMER	9-6
SECTION 10	
VIPer SOFTWARE SETUPS	10-1
10.01 VIP-UP PROGRAM	10-2
10.02 AMIBIOS SETUP PROGRAM	10-5
10.03 UPDATING OR RESTORING BIOS IN BOOT-BLOCK FLASH	10-20

**PART TWO
SPECIAL SOFTWARE & ONBOARD UTILITIES**

SECTION 11

VFLASH SOFTWARE	11-1
11.01 INTRODUCTION	11-1
11.02 OUTPUT SELECTION/FIRST SCREEN	11-4
11.03 OUTPUT SELECTION/SECOND SCREEN	11-5
11.04 FILE SELECTION SCREEN	11-6
11.05 LIST OF SELECTED FILES SCREEN	11-9
11.06 TRANSFER STATUS SCREENS	11-11
11.07 BATCH MODE	11-14

SECTION 12

FLASH FILE SYSTEM II	12-1
12.01 SETTING UP CONFIG.SYS FOR FLASH FILE SYSTEM II	12-2
12.02 CREATING & FORMATTING AN MS-FLASH PARTITION	12-3

SECTION 13

UPDATING BIOS WITH UBIOS	13-1
13.01 UBIOS - INTERACTIVE MODE	13-2
13.02 UBIOS - BATCH MODE	13-7

SECTION 14

VT100 MODE	14-1
14.01 REQUIREMENTS	14-1
14.02 SETUP & CONFIGURATION	14-2
14.03 RUNNING WITHOUT A TERMINAL	14-4

SECTION 15

DOWNLOAD MODE	15-1
----------------------	------

APPENDICES

APPENDIX A

VIPer809 SPECIFICATIONS

A-1

A.01 SPECIFICATIONS

A-1

A.02 BATTERY

A-3

A.03 MTBF (MEAN TIME BETWEEN FAILURES)

A-4

A.04 MEETING INDUSTRY STANDARDS

A-8

APPENDIX B

MEMORY & I/O MAPS

B-1

B.01 MEMORY MAP

B-1

B.02 I/O MAP

B-3

APPENDIX C

MECHANICAL LAYOUT & BLOCK DIAGRAM

C-1

APPENDIX D

CONNECTOR PINOUTS

D-1

APPENDIX E

RECOMMENDED DEVICES & MATING CONNECTORS

E-1

APPENDIX F

ERROR CODES

F-1

F.01 POST CODES

F-1

F.02 WORD CHECK-POINTS

F-8

F.03 BEEP ERROR CODES

F-9

GETTING HELP

1

LIST OF DIAGRAMS

2-1: Assembly (Top)	2-3
2-2: Assembly (Bottom)	2-5
3-1: VIPer809 Jumper Locations	3-3
6-1: Floppy Disk Cable	6-7
8-1: VIPer809 Connector Locations	8-3
14-1: VT100 Full Setup	14-3
14-2: VT100 Partial Setup	14-3
B-1: Memory Map Diagram	B-1
C-1: Mechanical Specifications	C-3
C-2: Block Diagram VIPer809	C-5

LIST OF TABLES

2-1: SIMM Configuration	2-8
3-1a: Jumper Settings: W1-W5, W24	3-6
3-1b: Jumper Settings: W6-W15	3-7
3-1c: AMD DX2-DX4 CPU Jumper Settings: W1, W16-W19	3-8
3-1d: AMD 5x86 CPU Jumper Settings: W1, W16-W19	3-9
3-1e: Intel CPU Jumper Settings: W1, W16-W19	3-10
3-1f: SGS CPU Jumper Settings: W1, W16-W19	3-11
3-1g: Jumper Settings: W20-W22	3-12
3-1h: Jumper Settings: W23, W25-W29	3-13
4-1: 8237 DMA Controllers	4-4
4-2: 8259 Interrupt Controllers	4-5
4-3: Register 190H, 290H or 390H	4-6
4-4: Keyboard / Speaker Connector (J3)	4-7
5-1: Printer Parallel Port (J18) - Standard Mode	5-2
5-2: Printer Parallel Port (J18) - EPP Mode	5-3
5-3: Printer Parallel Port (J18) - ECP Mode	5-4
5-4a: Serial Port 1 (J5) RS-232	5-7
5-4b: IBM 9-Pin DSUB Standard	5-7
5-5a: Serial Port 2 (J4) RS-232	5-8

LIST OF TABLES (Continued)

5-5b: IBM 9-Pin DSUB Standard	5-8
5-6: Serial Port 2 (J4) RS-422/RS-485	5-9
6-1: IDE Hard Disk Connector (J1) - Pinout	6-2
6-2: Floppy Connector (J2) - Pinout	6-6
6-3: SCSI Connector (J7) - Pinout	6-11
6-4: SCSI LED Connector (J10) - Pinout	6-12
8-1: SVGA Connector (J15) - Pinout	8-2
8-2: Flat Panel Connector (J8) - Pinout	8-5
8-3: Video Feature / V-PORT Connector (J6) - Pinout	8-10
9-1: External Power Connector (J13) - Pinout	9-1
9-2: Watchdog Timer Register	9-6
A-1: Maximum Operating Temperature (°C)	A-1
A-2: Supply Current	A-2
A-3a: Reliability Prediction VIPer809 (Options 1, 2, 3, 4, 5, 6)	A-5
A-3b: Reliability Prediction VIPer809 (Options 7, 8, 9, 10, 11, 12)	A-6
A-3c: Reliability Prediction VIPer809 (Options 13, 14, 15, 16, 17, 18)	A-7
B-1: Memory Map	B-2
B-2: I/O Map	B-3
F-1: Beep Error Codes	F-9

EXERCISE CAUTION WHILE REPLACING LITHIUM BATTERY



WARNING

Danger of explosion if battery is incorrectly replaced.

Replace only with the same or equivalent type recommended by the manufacturer.
Dispose of used batteries according to the manufacturer's instructions.



ATTENTION

Il y a danger d'explosion s'il y a remplacement incorrect de la batterie.

Remplacer uniquement avec une batterie du même type ou d'un type équivalent recommandé par le constructeur. Mettre au rebut les batteries usagées conformément aux instructions du fabricant.



ACHTUNG

Explosionsgefahr bei falschem Batteriewechsel.

Verwenden Sie nur die empfohlenen Batterietypen des Herstellers. Entsorgen Sie die verbrauchten Batterien laut Gebrauchsanweisung des Herstellers.



ATENCION

Puede explotar si la pila no este bien reemplazada.

Solo reemplazca la pila con tipas equivalentes segun las instrucciones del manufacturo. Vote las pilas usadas segun las instrucciones del manufacturo.

READ ME FIRST

WARNINGS & IMPORTANT INFORMATION

Take heed of these warnings which concern the VIPer809:

Warning: CPU Voltage Selection

W1 jumper selects CPU voltage (pins 2-3 shorted = 5V, pins 1-2 shorted = 3.3V). Incorrect CPU voltage can damage your CPU!

Warning: SCSI Connector and Flat Panel Connector Appear Identical

Careful attention should be taken when connecting SCSI or Flat Panel cables to the VIPer809 board, since both the J7 SCSI connector and the J8 Flat Panel connector are 50-pin headers. **Faulty connections will damage the VIPer809 board!**

Warning: Flat Panel Control Signals and the Feature Connector

When the voltage level for the Flat Panel Control signals is set at 3.3V via the W10 jumper, only 3.3V logic levels can be used for the Feature Connector.

Warning: Flat Panel Power

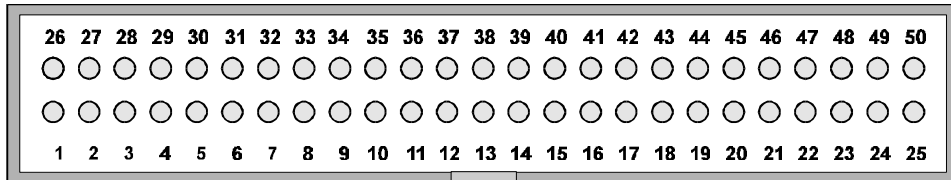
The VIPer809 only supplies the Flat Panel with 5V power. In order to supply 3.3V power to your Flat Panel, an external 5V to 3.3V DC-DC voltage converter is required. Incorrect power voltage can damage your Flat Panel!

Warning: Flat Panel Cable Length

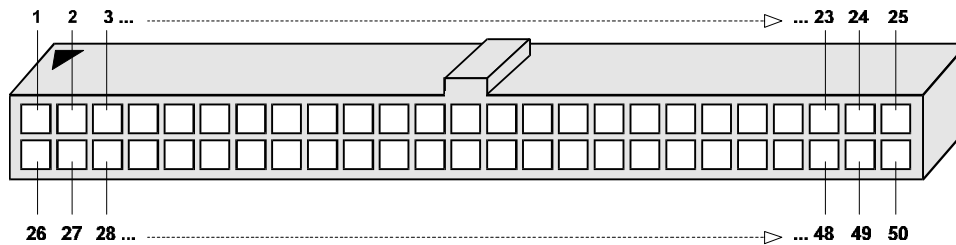
The Flat Panel Cable for the VIPer809 should be cut on the unconnected end to a recommended maximum length of 18 inches from the high density connector. Though some Flat Panels may support longer flat cables, and TEKNOR has made allowance for this by providing more than 18 inches of cable, it is the customer's responsibility to ensure that the additional length is fully supported by the Flat Panel's specifications.

Warning: Pinout for 50-Pin High Density Connector

The J7 SCSI and J8 Flat Panel connectors found on the VIPer809 are 50-pin high density connectors, which have a different pinout distribution than most dual row headers. The pin numbers are shown below.



ONBOARD SCSI / FLAT PANEL CONNECTOR



SCSI ADAPTER / FLAT PANEL CABLE: MATING CONNECTOR

In the same way, the mating connector on the Flat Panel Cable (TEKNOR # 150-105), has the same linear pinout distribution, as shown above. Two 25-pin flat cables are crimped to this connector: one cable has pin signals 1 to 25, while the other cable has pins 26 to 50. The SCSI Adaptor 50 HDD to 50 HD Assembly (150-176) also has the same mating connector as shown above.

Before operating your Single Board Computer, please note the following:

Battery Configuration

Your computer board is equipped with a standard non-rechargeable lithium battery. To preserve the useful life of the battery, **the jumper which enables the battery is not installed when you receive the board.** If you need a jumper cap, we suggest you use the one on the Watchdog Timer jumper since it is rarely needed; if you wish to purchase jumper caps, you can contact TEKNOR's Sales department to order them.

Connecting Flat Panel Video Display

The VIPer809 board supports many different types of Flat Panel displays. TEKNOR has fully tested a number of these panels and provides all the BIOS software support and the technical information needed.

If you have access to the Internet, many video BIOS files in a binary format and related interconnection charts in a PDF format are available on our web site. You can download these files, if you are a customer of TEKNOR and have a password from TEKNOR. If you do not have your password, contact TEKNOR's Technical Support to obtain it.

To download a video BIOS file or its interconnection chart file, follow this procedure:

1. Access the TEKNOR web site. Our address is <http://www.teknor.com> .
2. Go to the Support & Services section.
3. Scroll down the list of products until you find the name of your board and click on it. This selection is a link to the board's support area.
4. Click on the Video BIOS link.
5. The list of tested Flat Panel displays appears. If you find your particular display, you can then ask to download the associated BIOS or interconnection chart files by clicking the appropriate link.
6. A pop-up window appears. You must enter your password (case sensitive) and click the SUBMIT button. Entering your e-mail address is optional. Follow the instructions in subsequent pop-ups to download the file.

If you do not have access to our web site, or if you do not see the name of your Flat Panel, then you need to contact TEKNOR's Technical Support department. Since we are always testing new flat panels, it is possible that we have tested your particular type of panel display. Even if we have not tested it, TEKNOR's Technical Support can do it for you and supply the video BIOS and the technical information you need.

Preventing Viruses

TEKNOR INDUSTRIAL COMPUTERS takes every precaution against computer viruses. For your protection, we have *safety sealed* all utility diskettes. If the seal is broken, **do not use the diskette**. Destroy the diskette immediately and contact our Technical Support department for further instructions at (450) 437-5682 (Canada) or at +49 811 / 600 15-0 (Germany).

To safeguard against computer viruses in general, do not freely lend your utility diskettes and regularly perform virus scans on all your computer systems.

CHANGES BETWEEN REVISIONS OF THE BOARD

Revision 0

Revision 0 is the first VIPer809 in production.

INTRODUCTION

The VIPer809 Single Board Computer is a high performance, fully IBM AT compatible, PC/AT single board computer. VIP stands for Very Integrated Processor. This board includes the following features:

- The VIPer809 supports the following microprocessors (maximum internal CPU clock speed and CPU voltage indicated):
 - AMD 486DX2SV running at 66 MHz (3.3V);
 - AMD 486DX4SV running at 100 MHz (3.3V);
 - AMD 5x86 running at 133 MHz (3.3V).
This processor is also referred to as a 486DX5;
 - Intel 486DX running at 33 MHz (5V);
 - Intel 486DX2 running at 66 MHz (5V);
 - Intel 486DX4 running at 100 MHz (3.3V);
 - SGS 486DX2V running at 66 MHz (3.3V);
 - SGS 486DX4V running at 100 MHz (3.3V).
- Each microprocessor has Internal Cache Memory.
- The VIPer809 board supports the 16-bit standard ISA bus.
- System memory can be configured from 1MB to 64MB (128MB when available) of Dynamic RAM (DRAM) with 36-bit modules installed on the board's two vertical 72-pin SIMM sockets.
- The VIPer809 is a multi-purpose computer board:
 - It can be used as a single board computer in conjunction with a passive backplane;
 - Or as part of a stand-alone system with no backplane;
 - It can also operate without any mechanical disks by performing disk operations on solid state disks (Flash EPROM, SRAM).
- The VIPer809 provides operating systems compatibility for: PC and MS-DOS, Windows 95, Windows NT, OS/2 Warp, SCO UNIX, QNX, NOVELL and UnixWare.
- The voltage level (3.3V or 5V) for Flat Panel control signals is selected by a jumper setting (W10 jumper).

- The board is ideal for industrial applications; it is designed to operate in environments where a sturdy and compact system is essential, with features like:
 - Compact half-card format (7.125" x 4.800");
 - Watchdog timer;
 - SMM (System Management Mode) support and full SMI (System Management Interrupt) interface for power management;
 - Power failure detector;
 - Low battery detector;
 - Shadow RAM BIOS support for fast execution;
 - Boot-Block Flash EPROM;
 - Real-Time Clock (RTC) with battery backup;
 - Solid state disks (optional): 2 or 4 MB of user Flash EPROM, 128 or 512 KB of battery-backed SRAM.
- The VIPer809 has a multi-function connector which provides all the necessary signals for connecting the keyboard, speaker, reset button, and hard disk LED.
- The Cirrus Logic[®] local bus SVGA Video Controller supports high resolution Flat Panel and CRT displays. The VIPer809 comes with 1MB of video memory and a video feature connector (jumper configurable as a V-PORT). The V-PORT connector supports TEKNOR's TEK-380 Video Camera Interface Module (VIPer Vision).
- The VIPer809 includes a local bus IDE hard disk interface for a high performance disk subsystem.
- The onboard Fast SCSI II controller supports up to seven SCSI peripherals. The device can support standard and SCSI II modes. The SCSI controller supports the Plug and Play standard and has a Serial EEPROM onboard for Plug and Play compatibility and configuration storage.
- The VIPer809 includes an enhanced super Floppy Controller which supports two Floppy Disk Drives of up to 2.88MB each, 16 bytes of FIFO buffering and a 48mA drive buffer.
- The VIPer809 board has one Parallel Printer port (ECP and EPP modes are supported), incorporating ChipProtect™ circuitry to protect against damage due to printer power-on.
- Serial Port 1 and Serial Port 2 are 16550 compatible with internal 16-byte FIFO buffers and can be defined as two of the following: COM1, COM2, COM3 or COM4.
- The board includes a PS/2 Mouse port.
- The board's PC/104 expansion header accepts any PC/104 mezzanine card.

The VIPer809 TECHNICAL REFERENCE MANUAL's Sections are divided into two parts. The first part - INSTALLING & SETTING UP VIPer - includes ten Sections which give a full overview of the VIPer809 board, plus installation and setup procedures. A topical index of these Sections is included below:

<u>TOPICS</u>	<u>SECTIONS</u>
Cable Connections	5, 6, 8 and 9
Cache	4
CPUs	4
CRT Sreen	8
Flat Panel Sreen	8
Floppy Disk Drives	6
Hard Disks (IDE, SCSI)	6
Jumpers	3
Memory	2
Mouse	4
Parallel Port	5
Power Supply	1, 9
SCSI Devices	6
Serial Ports	5
Solid State Disks (Flash, SRAM)	7
Static Electricity	1
Unpacking	1
Video Display	8
Video Feature / V-PORT Connector	8
VIPer Software Setups	10

The second part of the manual - SPECIAL SOFTWARE & ONBOARD UTILITIES - contains information and instructions on how to use special software and onboard utilities; it has the following five Sections:

- Section 11: VFLASH SOFTWARE;
- Section 12: FLASH FILE SYSTEM II;
- Section 13: UPDATING BIOS;
- Section 14: VT100 MODE;
- Section 15: DOWNLOAD MODE.

Following the Sections are Appendices A to F, which contain information you can consult when needed. These include:

- Appendix A: VIPer809 SPECIFICATIONS;
- Appendix B: MEMORY & I/O MAPS;
- Appendix C: MECHANICAL LAYOUT & BLOCK DIAGRAM;
- Appendix D: CONNECTOR PINOUTS;
- Appendix E: RECOMMENDED DEVICES & MATING CONNECTORS;
- Appendix F: ERROR CODES;

At the end of the manual, there is a GETTING HELP section which includes Technical Support information, the warranty and instructions on returning merchandise.

PART ONE

INSTALLING & SETTING UP VIPer

SECTION 1: INSTALLATION & SETUP

SECTION 2: INSTALLING MEMORY

SECTION 3: SETTING JUMPERS

SECTION 4: INSTALLING & WORKING WITH SYSTEM COMPONENTS

SECTION 5: INSTALLING PERIPHERALS (PARALLEL/SERIAL)

SECTION 6: INSTALLING IDE, FLOPPY & SCSI DEVICES

SECTION 7: INSTALLING SOLID STATE DISKS (FLASH, SRAM)

SECTION 8: INSTALLING VIDEO

SECTION 9: POWER MANAGEMENT

SECTION 10: VIPer SOFTWARE SETUPS

SECTION 1 INSTALLATION & SETUP

1.01 GETTING STARTED

Part One of this manual (Sections 1 to 10) groups the various aspects of the VIPer809 board, with special emphasis put on installation and setup procedures. Wherever possible, technical information is given in these ten Sections to describe the various features of the board.

Depending on your level of experience and expertise, you will want to spend more or less time with the manual.

More experienced users will undoubtedly find Section 3 - SETTING JUMPERS - most helpful for locating the connectors and jumpers of the board and understanding how the board can be configured via the jumpers. Then, they can consult the TABLE OF CONTENTS at the beginning of this manual for specific information concerning the VIPer809 board, or refer to the topical index of Part One found on page 3 of the INTRODUCTION.

For less experienced users, it is recommended that they read through Part One of the manual as they install and set up the VIPer809 board. These Sections have been organized in a chronological order with respect to the steps that will be taken to install and set up the board. Certain Sections or sub-sections, which deal with devices or peripherals that one wants to install, can be studied in greater detail, while those describing devices that are not of interest can be skipped.

1.02 HOW THE BOARD CAN BE USED

The VIPer809 board is a multi-purpose computer board:

- The VIPer809 can be used as a **single board computer** in conjunction with a passive backplane. Power is drawn directly from the AT bus.
- The VIPer809 can be used as part of a **stand-alone system** with no backplane. The board has its own power connector, through which power can be drawn. The board has a PC/104 expansion header which accepts any PC/104 mezzanine card. The VIPer809 can also operate without any user interface.
- The VIPer809 can also operate **without any mechanical drives** by performing disk operations on solid state disks (user Flash EPROM and battery-backed SRAM). A Flash EPROM partition created with the VFLASH utility is a read-only disk, while an MS-Flash partition created with the FLASH FILE SYSTEM II utility is a read/write disk that can be accessed via the MS-DOS commands. You can even set up your board to boot from the VFLASH partition. As for the SRAM disk, a read/write partition can be created using FDISK; it can then be accessed with the DOS commands.

1.03 IMPORTANT PRECAUTIONS WHEN WORKING WITH A BOARD

1.03.1 STATIC ELECTRICITY PRECAUTIONS

Since static electricity can damage a board, the following precautions should be taken:

- Keep the board in its antistatic package, until you are ready to install it.
- Touch a grounded surface before removing the board from its package or wear a grounding wrist strap; this will discharge any static electricity that may have built up in your body.
- Handle the board by the edges.
- When handling the board, touch a grounded surface often or wear a grounding wrist strap.

1.03.2 POWER PRECAUTIONS

Before hardware setup and installation, make sure the board is completely powered down.

1.04 UNPACKING

Follow these recommendations while unpacking:

- Observe the Static Electricity Precautions in section 1.03.1.
- After opening the box, save it and the packing material for possible future shipment.
- Remove the board from its antistatic wrapping and place it on a grounded surface.
- Inspect the board for damage. If there is any damage or missing items, notify TEKNOR immediately.

SECTION 2 INSTALLING MEMORY

2.01 TYPES OF MEMORY ON BOARD

Various types of memory are installed or supported on the VIPer809 board.

2.01.1 SYSTEM MEMORY (DRAM)

Dynamic Random Access Memory (DRAM) is essential system memory. It can be configured from 1MB to 64MB using 36-bit SIMMs (Single In-line Memory Modules). This is the only type of memory which can be installed by the user. See section 2.02 for instructions on installing SIMMs.

The location of the two 72-pin vertical SIMM sockets appears on Diagram 2-1 and are labeled U6 and U7.

2.01.2 VIDEO MEMORY (DRAM)

Video RAM is factory installed. The VIPer809 is configured with 1MB of video memory.

The location of the Video RAM appears on Diagram 2-2 at U21 and U22 (solder side).

2.01.3 BIOS (BOOT-BLOCK FLASH)

The Boot-Block Flash BIOS is factory installed. It appears at U9 on Diagram 2-1.

2.01.4 SOLID STATE DISKS (SRAM & FLASH EPROM DISKS)

Optional solid state disks which can be ordered from TEKNOR include 128 or 512 KB SRAM (Static Random Access Memory) and 2 or 4 MB of Flash EPROM. See Section 7 for more information.

SRAM appears on Diagram 2-1 at U16 and the user Flash EPROM disk on Diagram 2-2 at U35.

DIAGRAM 2-1: Assembly (Top)

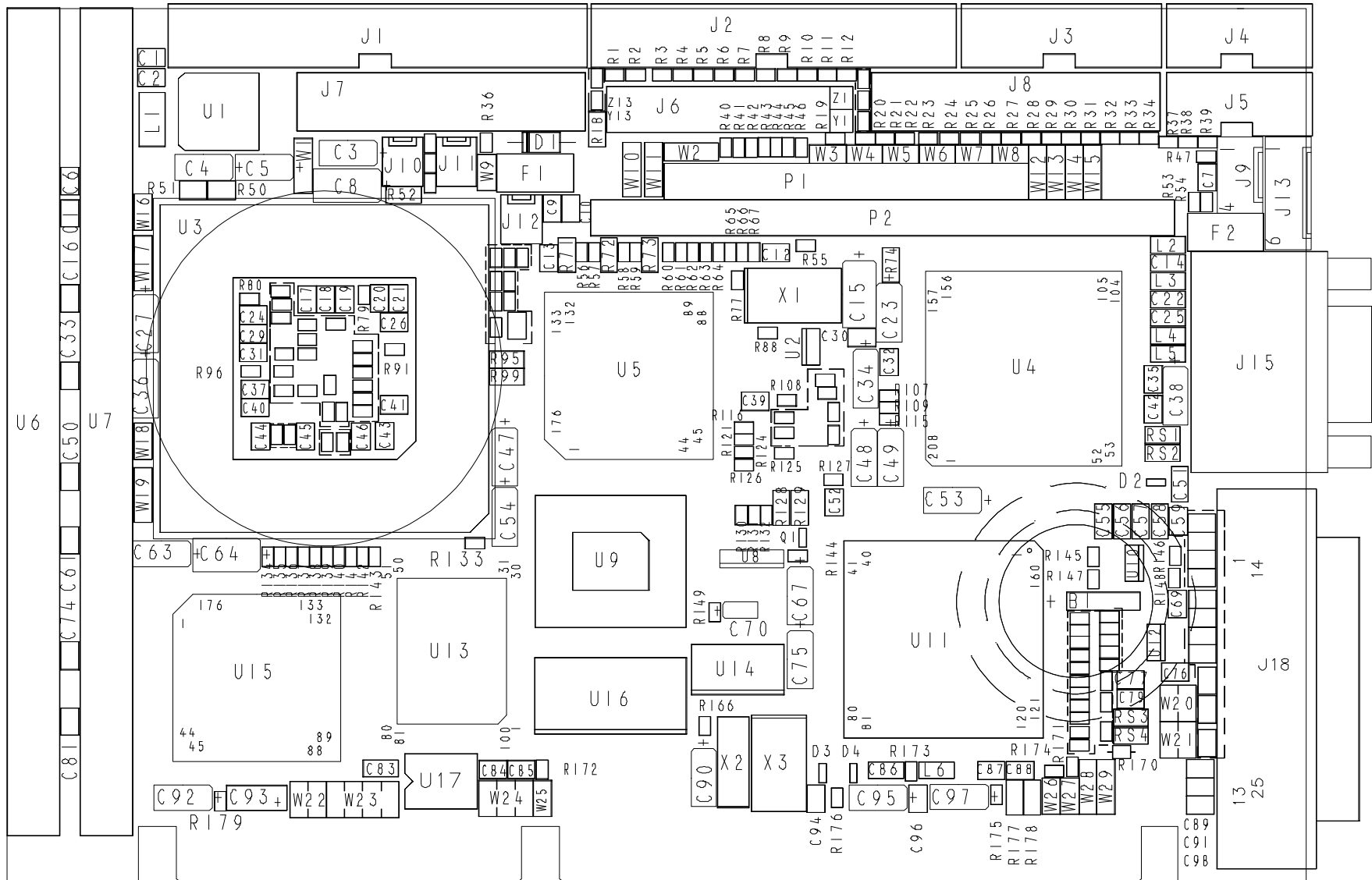
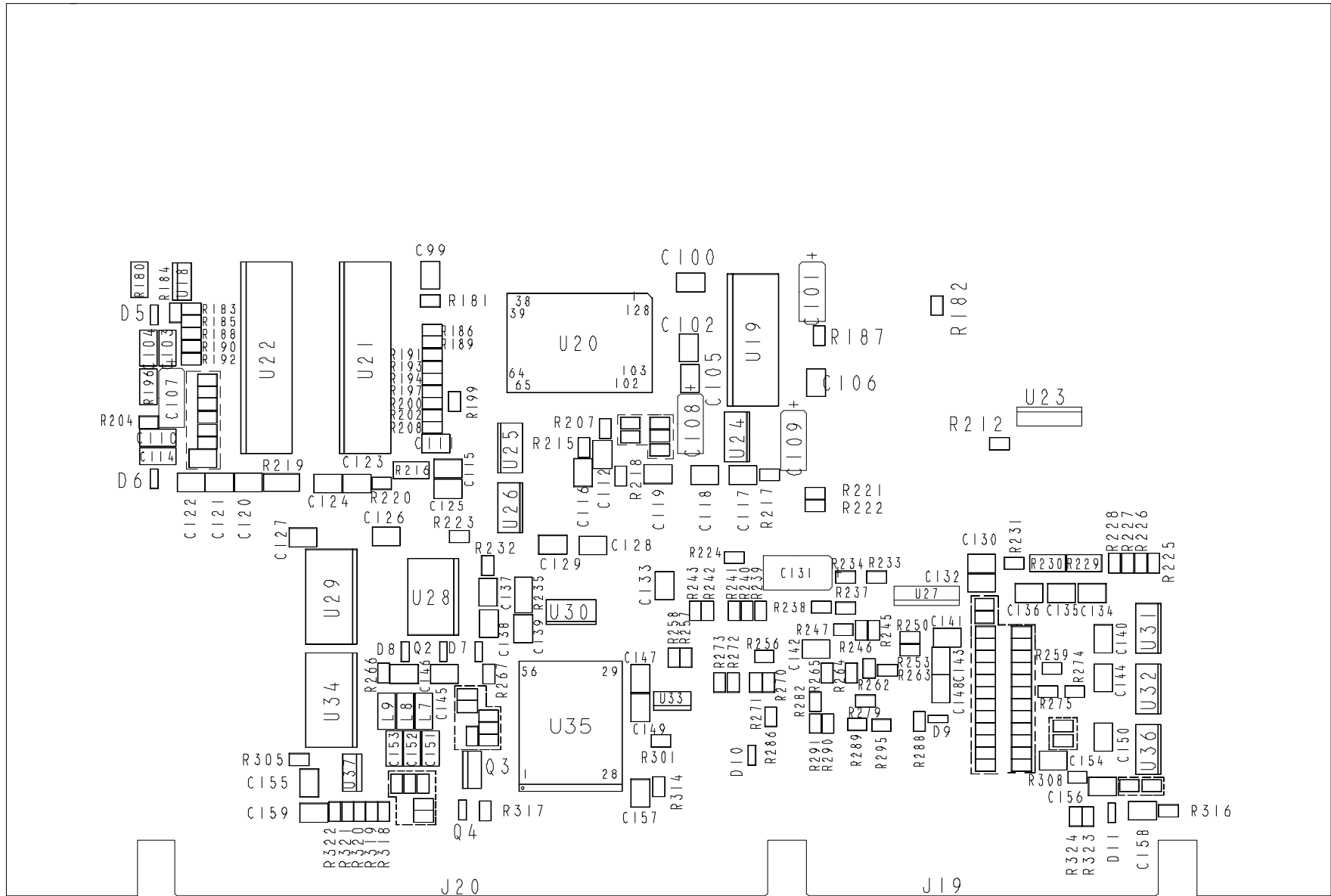


DIAGRAM 2-2: Assembly (Bottom)



2.02 SIMM CONFIGURATION & INSTALLATION

At least 1MB of system memory must be installed on the VIPer809 for proper operation.

Total System Memory can be configured as 1MB, 2MB, 3MB, 4MB, 8MB, 12MB, 16MB, 32MB, 48MB or 64MB using 36-bit SIMM devices.

There are two SIMM (Single In-line Memory Module) sockets; these can accept the following 36-bit modules:

- 256K x 36-bit = 1MB module,
- 512K x 36-bit = 2MB module,
- 1M x 36-bit = 4MB module,
- 2M x 36-bit = 8MB module,
- 4M x 36-bit = 16MB module, and
- 8M x 36-bit = 32MB module.

Note: When 64MB modules are available, they will also be supported by the VIPer809 board, allowing a total of 128MB of System Memory.

Consult the table on the following page to see which SIMM configurations are available on the VIPer809.

DRAM devices with page mode at 70ns maximum access time are recommended. Please refer to Appendix E for a list of recommended devices.

When you are ready to install the SIMMs in the sockets, follow the steps outlined below.

- With the board flat on the table, turn it so that the end of the board with the sockets is near you.
- Hold the module with the notch on the bottom right facing you, and insert the connector into the socket at a 70° angle from the board (pin 1 on the module lines up with pin 1 on the socket).
- Snap the module forward to a vertical position in the socket. The module is fully inserted when the retaining pegs snap into the holes at each end of the module.

TABLE 2-1: SIMM Configuration

Total System Memory	U7 Socket - Bank 0 / 2 SIMM Module Installed	U6 Socket - Bank 1 / 3 SIMM Module Installed
1MB	1MB (256Kx36)	--
1MB	--	1MB (256Kx36)
2MB	1MB (256Kx36)	1MB (256Kx36)
2MB	2MB (512Kx36)	--
2MB	--	2MB (512Kx36)
3MB	1MB (256Kx36)	2MB (512Kx36)
3MB	2MB (512Kx36)	1MB (256Kx36)
4MB	2MB (512Kx36)	2MB (512Kx36)
4MB	4MB (1Mx36)	--
4MB	--	4MB (1Mx36)
8MB	4MB (1Mx36)	4MB (1Mx36)
8MB	8MB (2Mx36)	--
8MB	--	8MB (2Mx36)
12MB	4MB (1Mx36)	8MB (2Mx36)
12MB	8MB (2Mx36)	4MB (1Mx36)
16MB	8MB (2Mx36)	8MB (2Mx36)
16MB	16MB (4Mx36)	--
16MB	--	16MB (4Mx36)
32MB	16MB (4Mx36)	16MB (4Mx36)
32MB	32MB (8Mx36)	--
32MB	--	32MB (8Mx36)
48MB	16MB (4Mx36)	32MB (8Mx36)
48MB	32MB (8Mx36)	16MB (4Mx36)
64MB	32MB (8Mx36)	32MB (8Mx36)

SECTION 3

SETTING JUMPERS

This Section describes how to configure hardware options by setting jumper switches on the VIPer board.

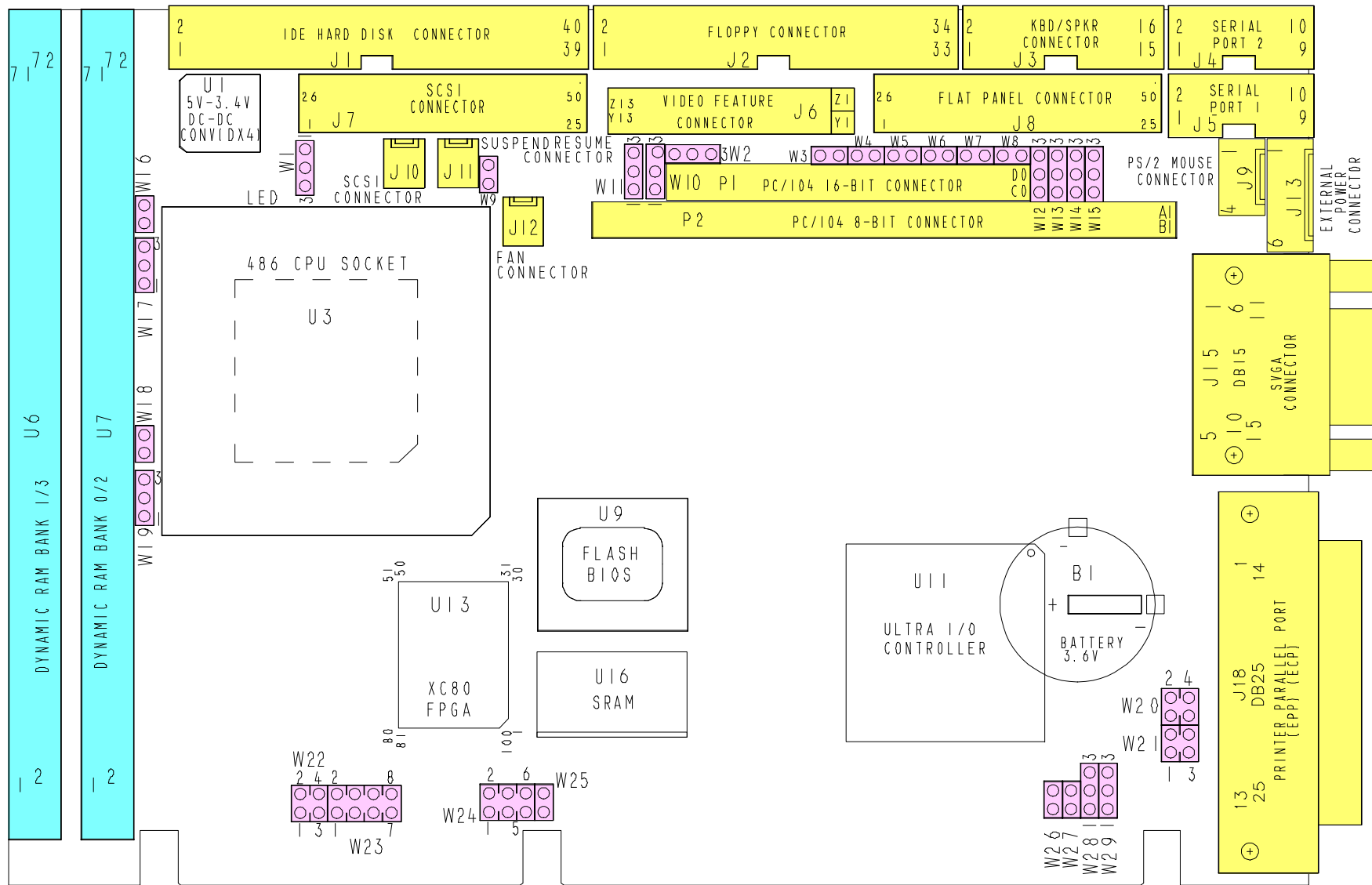
3.01 TERMINOLOGY

Jumper switches are small pins that you can set by using jumper caps. Two pins can be joined by a jumper cap, thereby closing or shorting a circuit. So you **short** (or close) a jumper by placing a plastic jumper cap over two pins of the jumper switch, and you **open** a jumper switch by removing a jumper cap.

3.02 JUMPER LOCATIONS ON THE BOARD

Diagram 3-1 on the next page shows 29 jumpers labeled from W1 to W29. These appear as rectangular boxes containing small circles which represent the pins. The jumpers are labeled on the board as well. When there are more than two pins in a jumper, then some of the pins are also numbered on the diagram and on the board, so that it will be possible to locate each pin and its number.

DIAGRAM 3-1: Viper809 Jumper Locations



3.03 JUMPER SETTINGS

Tables 3-1a to 3-1h on pages 3-6 to 3-13 show the jumper settings for W1 to W29.

TABLE 3-1a: Jumper Settings: W1 - W5, W24

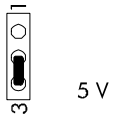
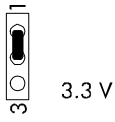


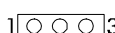
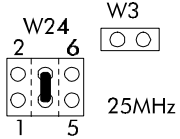
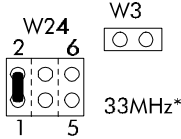

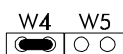
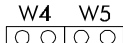
NAME	FUNCTION	CONFIGURATION (INITIAL SETTING: *)
W1	CPU Power	  <p>WARNING: Incorrect CPU voltage can damage your CPU!</p>
W2	SCSI Active Termination	<p>Controlled by hardware (board is terminated) *</p>  <p>Controlled by software</p>  <p>Disabled by hardware</p> 
W3 W24	External CPU Bus Speed	 <p>25MHz</p>  <p>33MHz*</p>
W4 W5	Feature Connector / V-PORT	<p>Feature Connector Enabled</p>  <p>Feature Connector Disabled *</p>  <p>V-PORT Enabled</p> 

TABLE 3-1b: Jumper Settings: W6 - W15

NAME	FUNCTION	CONFIGURATION (INITIAL SETTING: *)
W6	Serial Port 2 Configuration	<p>RS-232 * W6 3 W12 3 W13 3 W14 3 W15</p> <p>1 1 1 1</p> <p>RS-422/RS-485 W6 3 W12 3 W13 3 W14 3 W15</p> <p>1 1 1 1</p>
W12		
W13		
W14		
W15		
W7	Serial Port 2 RTS2-CTS2 Loopback (RS-422/RS-485)	Loopback Normal *
W8	Serial Port 2 DSR2-DTR2 Loopback (RS422/RS485)	Loopback Normal *
W9	IOCHRDY Signal to IDE Interface	Enabled Disabled *
W10	Voltage Level for Flat Panel Control Signals (This jumper does not select the voltage for the Flat Panel Power)	5 V * 3.3 V
W11	VGA Ready / Local Ready Select	Ready * Local Ready

TABLE 3-1d: AMD 5x86 CPU Jumper Settings: W1, W16-W19

NAME	FUNCTION	CONFIGURATION (INITIAL SETTING: *)
W1	CPU Type	
W16	AMD (continued)	
W17		
W18		
W19		

TABLE 3-1e: Intel CPU Jumper Settings: W1, W16-W19



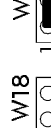

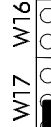

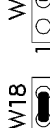
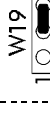
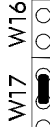
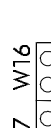
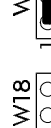


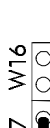
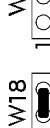


NAME	FUNCTION	CONFIGURATION (INITIAL SETTING: *)
W1	CPU Type Intel	 <p>Intel 486DX/DX2 5V</p>
W16		
W17		
W18		
W19		
		    <p>Intel 486DX4 3.3V Write Through Cache Clock Speed 2X</p>
		    <p>Intel 486DX4 3.3V Write Back Cache Clock Speed 2X</p>
		    <p>Intel 486DX4 3.3V Write Through Cache Clock Speed 3X</p>
		    <p>Intel 486DX4 3.3V Write Back Cache Clock Speed 3X</p>

TABLE 3-1f: SGS CPU Jumper Settings: W1, W16-W19


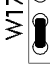
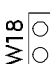









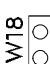







NAME	FUNCTION	CONFIGURATION (INITIAL SETTING: *)
W1 W16 W17 W18 W19	CPU Type SGS	<div style="display: flex; justify-content: space-around;"> <div style="text-align: center;">  <p>W16</p>  <p>W17</p>  <p>W18</p>  <p>W19</p> </div> <div style="text-align: center;">  <p>W1</p> </div> </div> <p>SGS 486DX2V 3.3V Write Through Cache Clock Speed 2X</p>
		<div style="display: flex; justify-content: space-around;"> <div style="text-align: center;">  <p>W16</p>  <p>W17</p>  <p>W18</p>  <p>W19</p> </div> <div style="text-align: center;">  <p>W1</p> </div> </div> <p>SGS 486DX2V 3.3V Write Back Cache Clock Speed 2X</p>
		<div style="display: flex; justify-content: space-around;"> <div style="text-align: center;">  <p>W16</p>  <p>W17</p>  <p>W18</p>  <p>W19</p> </div> <div style="text-align: center;">  <p>W1</p> </div> </div> <p>SGS 486DX4V 3.3V Write Through Cache Clock Speed 3X</p>
		<div style="display: flex; justify-content: space-around;"> <div style="text-align: center;">  <p>W16</p>  <p>W17</p>  <p>W18</p>  <p>W19</p> </div> <div style="text-align: center;">  <p>W1</p> </div> </div> <p>SGS 486DX4V 3.3V Write Back Cache Clock Speed 3X</p>

TABLE 3-1g: Jumper Settings: W20-W22

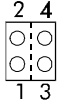
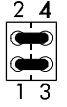

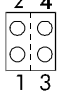
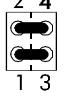
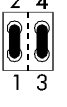
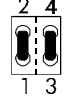
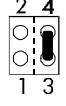
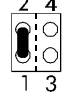
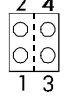
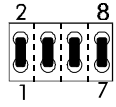
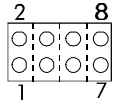

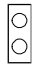

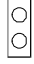

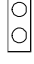




NAME	FUNCTION	CONFIGURATION (INITIAL SETTING: *)		
W20 &	2.88MB High Density Floppy, HDOUT Signal	HDOUT left to software* 	OR: 1-3: HDOUT to Pin 33 (J2); 2-4: Ground to Pin 27 (J2) 	OR: 1-2: HDOUT to Pin 27 (J2); 3-4: Ground to Pin 33 (J2) 
		EDOUT left to software* 	1-3: EDOUT to Pin 29 (J2); 2-4: Ground to Pin 17 (J2) 	1-2: EDOUT to Pin 17 (J2); 3-4: Ground to Pin 29 (J2) 
W22	Supervisor I/O: Base Address	 190H *  390H  290H  390H		

TABLE 3-1h: Jumper Settings: W23, W25-W29

NAME	FUNCTION	CONFIGURATION (INITIAL SETTING: *)	
W23	Extended BIOS Modes (These jumpers are configured separately, even though they are grouped together here)	1-2: Serial Download Mode 3-4: VT100 Mode 5-6: Disable TEKNOR Extension 7-8: Disable Onboard VGA Controller 	1-2: Normal Mode * 3-4: Standard Mode * 5-6: Enable TEKNOR Extension * 7-8: Enable Onboard VGA Controller * 
W25	Emergency Boot	 Emergency boot (from Boot Block sector)	 Normal boot *
W26	Watchdog Timer	 Enabled *	 Disabled
W27	Non Maskable Interrupt on Power Fail Output	 Enabled	 Disabled *
W28	Battery Selection	 Internal Battery *	 External Battery
W29	Power Fail Detection Source	 External Power Fail Input to Pin 6 of J13 *	 Internal/external battery when less than 3 volts

SECTION 4 INSTALLING & WORKING WITH SYSTEM COMPONENTS

4.01 MICROPROCESSOR

The VIPer809 board supports the following microprocessors (the maximum internal CPU clock speed and CPU voltage are indicated):

- AMD 486DX2SV running at 66 MHz (3.3V);
- AMD 486DX4SV running at 100 MHz (3.3V);
- AMD 5x86 running at 133 MHz (3.3V).
This processor is also referred to a 486DX5;
- Intel 486DX running at 33 MHz (5V);
- Intel 486DX2 running at 66 MHz (5V);
- Intel 486DX4 running at 100 MHz (3.3V);
- SGS 486DX4V running at 100 MHz (3.3V);

The Math Co-processor is internal to the CPU (Central Processing Unit).

The above processors also have Internal Cache Memory available. Internal Cache Memory is enabled and configured in the AMIBIOS Setup.

The following jumpers are related to the CPU:

- W1: Selects the voltage for powering CPU:
 - Pins 2 and 3 shorted: 5V,
 - Or pins 1 and 2 shorted: 3.3V.

WARNING: Incorrect CPU voltage can damage your CPU!

- W3 and W24: Selects the desired external CPU Bus speed:
 - W3 open and W24 pins 3 and 4 shorted: 25 MHz,
 - W3 open and W24 pins 1 and 2 shorted: 33 MHz.

- W16: Selects the desired multiplier to set the internal CPU clock speed (2, 3 or 4 times the external Bus speed):
 - Shorted: 2X (or 4X for AMD 5x86-133 only),
 - Or open: 3X.
- W17, W18 and W19: These jumpers are used in conjunction with W16 to select CPU Type (see Jumper Settings tables in Section 3 for supported types and their settings).

For DX microprocessors, external bus speed is set to the maximum CPU internal clock speed or less.

For DX2 microprocessors, external bus speed is set to half the maximum CPU internal clock speed or less.

For DX4 microprocessors, external bus speed is set to one third the maximum CPU internal clock speed or less.

For 5x86 microprocessors, external bus speed is set to one fourth the maximum CPU internal clock speed or less.

Jumper locations and settings appear in section 3 of this manual.

4.02 CONFIGURING CACHE

The microprocessors have Internal Cache Memory available for faster execution of applications.

Cache copies the most recently accessed data and places it in its fast Internal Cache Memory. The CPU can then access this data at a very high speed. Since most program executions are sequential and repetitive, the likelihood is great that the CPU will find data already stored in Cache.

When the CPU retrieves data from Cache, a **Cache hit** occurs. On the other hand, when the CPU must access data from System Memory, a **Cache miss** occurs .

Internal Cache Memory is enabled or disabled in the Advanced Setup screen of the AMIBIOS Setup program. To run the AMIBIOS Setup program, boot-up your computer and hit the DELETE key before or when the message - "Hit if you want to run SETUP" - appears near the top of the screen. Set the Internal Cache option in the Advanced Setup screen to Enabled or Disabled.

4.03 SYSTEM CONTROLLER OVERVIEW

The PicoPower (Cirrus Logic subsidiary) PT86C768/PT86C718 System Controller used on the VIPer809 board is a two-chip solution packaged in 176-pin VQFP's. This chipset contains power management features making it ideal for designing energy efficient computer systems and high performance applications.

The System Controller was designed to support 32-bit 486 CPUs, capitalizing on the unique features found in the SL-Enhanced series. It incorporates PicoPower's Power On Demand™ technology, providing unsurpassed power management features (explained in section 8).

The System Controller also includes features like a high performance DRAM Controller, Clock and Reset Interface, a Local Bus IDE Drive Interface for high performance disk subsystem, and integrated 82C206 functions.

The System Controller is 100% IBM PC/AT compatible. It includes three 8254 Counter/Timers, two 8237 DMA Controllers and two 8259 Interrupt Controllers.

4.03.1 DMA CONTROLLERS

The VIPer809 supports seven Direct Memory Access (DMA) channels. The parallel port's ECP mode can be configured to use Channel 1 or 3. Channel 2 is reserved for the Floppy controller. Channel 4 is used to cascade Channels 0 through 7 to the microprocessor. Channel 5 is available for the SCSI interface. Note that with Plug and Play, DMA channels for I/O devices and the SCSI interface can be modified via software per system requirements.

TABLE 4-1: 8237 DMA Controllers

DMA 0	Available
DMA 1	Available (ECP)
DMA 2	Floppy controller
DMA 3	Available (ECP)
DMA 4	Cascade controller # 1
DMA 5	Available (SCSI)
DMA 6	Available
DMA 7	Available

4.03.2 INTERRUPT CONTROLLERS

Two 8259 interrupt controllers handle the interrupts on the VIPer809. Six interrupt lines are directly linked to the keyboard controller, timer, the real-time clock, both serial ports and the parallel port. Note that with Plug and Play, interrupt lines for I/O devices and the SCSI interface can be modified via software per system requirements.

TABLE 4-2: 8259 Interrupt Controllers

CONTROLLER # 1		CONTROLLER # 2	
IRQ 0	Timer 0	IRQ 8	Real-time clock
IRQ 1	Keyboard	IRQ 9	Available (SCSI)
IRQ 2	Cascade controller # 2	IRQ 10	Available
IRQ 3	COM 2*	IRQ 11	Available
IRQ 4	COM 1*	IRQ 12	PS/2 Mouse
IRQ 5	Available (LPT2)*	IRQ 13	Coprocessor
IRQ 6	Floppy controller*	IRQ 14	IDE*
IRQ 7	LPT 1*	IRQ 15	Available

* All functions marked with an asterisk (*) can be disabled or reconfigured.

4.03.3 COUNTER/TIMERS

There are three independent 16-bit 8254 Counter/Timers: Counter/Timer 0 is tied to Interrupt 0, Counter/Timer 1 is used to generate the refresh with DMA Channel 0, and Counter/Timer 2 is used for the Speaker Port.

4.04 SUPERVISOR UTILITIES

The VIPer series incorporates features that are usually not found on commercial PCs. TEKNOR computers utilize address space 190H, 290H or 390H to enable these special features. The I/O address is jumper selectable (W22 jumper - Section 3).

TABLE 4-3: Register 190H, 290H or 390H

Bit #	Bit Value (Default)	Function:	
		WRITE	READ
0	0	Enable Watchdog 1=enable, R/W bit	Same
1	1	Watchdog activate 1-0-1 to toggle, R/W bit	Same
2	0	Flash VPP enable	Same
3	0	RS-485 direction control. Refer to Section 5.02 about RS-485 Serial Port.	Power Detection Output or Battery Low output
4	0	Reserved, ENWF	W23 (7-8) Status
5	0	Reserved, ENWB	W23 (5-6) Status
6	1	Reserved, B64/16	W23 (3-4) Status
7	0	Reserved, ENWS	W23 (1-2) Status

- ☞ **Not all bits are R/W. Therefore, be certain to keep a mirror image of the register when programming it.**
- ☞ **All bits are 0 after a hardware RESET or power up condition.**
- ☞ **Write the values shown in the "Bit Value (Default)" column if you are unsure.**

4.05 MULTI-FUNCTION CONNECTOR (KEYBOARD, SPEAKER, RESET & LED)

Connector J3 on the VIPer provides all the necessary signals for connecting the keyboard, speaker, reset, and keylock interface devices. The following diagram shows the signal connections at J3 (referred to as the Keyboard / Speaker Connector):

TABLE 4-4: Keyboard / Speaker Connector (J3)

Pin Number			Pin Number		
Signal Flow			Signal Flow		
Signal			Signal		
KBCLK	I/O	1	2	-	GND
KBDATA	I/O	3	4	-	GND
VCC (+5V)	-	5	6	-	VCC (+5V)
SPKR	O	7	8	-	VCC (+5V)
Not Used	-	9	10	-	GND
DOWNLD*	I	11	12	-	GND
PBRES*	I	13	14	-	GND
HDD ACTIVE*	O	15	16	-	VCC (+5V)

* Active low signal

The following functions are available on the connector:

- **Speaker:** An 8 ohm speaker can be directly connected to pins 7 and 8 of J3. All necessary drivers are on the VIPer.
- **Hard Disk LED:** The onboard IDE interface activates an external LED. The LED must be connected anode on pin 16 (J3) and cathode on pin 15 (J3). No external current limiting resistor is required since one is already present on the VIPer.
- **Reset:** The VIPer can be reset by shorting pins 13 and 14 of J3.

Note: The Keyboard Disable function is not supported on the VIPer809.

4.06 PC/104 EXPANSION CARDS

The VIPer accepts PC/104 Expansion cards. PC/104 offers full architecture, hardware and software compatibility with the PC Bus, in ultra-compact stackable modules (3.6" x 3.8"). PC/104 is being advanced as a proposed appendix to the IEEE-P996 draft specification. Products compatible with the PC/104 are already offered by over 70 companies.

If you require additional information on the PC/104 standard, please contact our Technical Support department.

4.07 PS/2 MOUSE

The board supports a mouse, through the PS/2 connector at J9. With the PS/2 Mouse Cable (available from TEKNOR), this feature is compatible with the standard IBM PS/2 mouse. The cable may be ordered by contacting our Sales department.

During installation of the mouse, you must install the driver provided by the mouse manufacturer.

To enable the mouse, set the Mouse Support Option (PS/2) to Enabled in the Advanced Setup screen of the AMIBIOS Setup program (see section 10.02 for more information).

SECTION 5 INSTALLING PERIPHERALS (PARALLEL/SERIAL)

5.01 PARALLEL PORT

5.01.1 MODES

The parallel port supports multiple modes:

- Standard Parallel Port (SPP): This mode is IBM XT/AT compatible and PS/2 compatible (bi-directional);
- Enhanced Parallel Port (EPP);
- Extended Capabilities Port (ECP).

5.01.2 CONNECTOR

The parallel port connector (J18) is a DB-25 connector located at the edge of the board.

The following table shows the pinout for this connector, when it is in Standard mode:

TABLE 5-1: Printer Parallel Port (J18) - Standard Mode

Pin Number			Pin Number		
Signal Flow			Signal Flow		
Signal			Signal		
STROBE*	O	1	14	O	AUTOFD*
D0	I/O	2	15	I	ERROR*
D1	I/O	3	16	O	INIT*
D2	I/O	4	17	O	SELECTIN*
D3	I/O	5	18	-	GND
D4	I/O	6	19	-	GND
D5	I/O	7	20	-	GND
D6	I/O	8	21	-	GND
D7	I/O	9	22	-	GND
ACK*	I	10	23	-	GND
BUSY	I	11	24	-	GND
PE	I	12	25	-	GND
SELECT	I	13			

* Active low signal

The following table shows the pinout for this connector, when it is in EPP mode:

TABLE 5-2: : Printer Parallel Port (J18) - EPP Mode

Pin Number			Pin Number		
Signal Flow			Signal Flow		
Signal			Signal		
WRITE*	O	1	14	O	DATASTB*
D0	I/O	2	15	-	Not Used
D1	I/O	3	16	-	Not Used
D2	I/O	4	17	O	ADDRSTRB*
D3	I/O	5	18	-	GND
D4	I/O	6	19	-	GND
D5	I/O	7	20	-	GND
D6	I/O	8	21	-	GND
D7	I/O	9	22	-	GND
INTR	I	10	23	-	GND
WAIT*	I	11	24	-	GND
Not Used	-	12	25	-	GND
Not Used	-	13			

* Active low signal

The following table shows the pinout for this connector, when it is in ECP mode:

TABLE 5-3: : Printer Parallel Port (J18) - ECP Mode

Pin Number			Pin Number		
Signal Flow			Signal Flow		
Signal			Signal		
STROBE*	O	1	14	O	AUTOFD*, HOSTACK ³
D0	I/O	2	15	I	FAULT* ¹ , PERIPHRQST* ³
D1	I/O	3	16	O	INIT* ¹ , REVERSERQST* ³
D2	I/O	4	17	O	SELECTIN* ^{1,3}
D3	I/O	5	18	-	GND
D4	I/O	6	19	-	GND
D5	I/O	7	20	-	GND
D6	I/O	8	21	-	GND
D7	I/O	9	22	-	GND
ACK*	I	10	23	-	GND
BUSY, PERIPHACK ³	I	11	24	-	GND
PERROR, ACKREVERSE ³	I	12	25	-	GND
SELECT	I	13			

* Active low signal

¹ Compatible Mode

² High Speed Mode

Note: For more information on the ECP protocol, please refer to the Extended Capabilities Port Protocol and ISA Interface Standard (available from Microsoft Corporation) or contact our Technical Support department.

5.01.3 AMIBIOS SETUP

Follow these steps, from the AMIBIOS Setup program's main menu:

- From the Setup window, select the Peripheral icon.
- In the Peripheral Setup screen, these options may be set: ONBOARD PARALLEL PORT, PARALLEL PORT IRQ, PARALLEL PORT MODE and PARALLEL PORT DMA CHANNEL.

For more detail, refer to section 10.02 - AMIBIOS SETUP PROGRAM.

5.02 SERIAL PORTS

There are two 16550 compatible serial ports. These have internal 16-byte FIFO buffers for more efficient data transfers.

5.02.1 CONNECTORS

Serial Port 1 (J5) RS-232

The Serial Port 1 is configured as RS-232, and is 100% compatible to the IBM-AT serial port, with the use of the IBM 9-pin DSUB Standard. The following tables show their pinouts:

TABLE 5-4a: Serial Port 1 (J5) RS-232

Pin Number			Pin Number		
Signal Flow			Signal Flow		
Signal			Signal		
DCD	I	1	2	I	DSR
RX	I	3	4	O	RTS
TX	O	5	6	I	CTS
DTR	O	7	8	I	RI
GND	-	9	10	-	Not Used

TABLE 5-4b: IBM 9-Pin DSUB Standard

Pin Number			Pin Number		
Signal Flow			Signal Flow		
Signal			Signal		
DCD	I	1	2	I	RX
TX	I	3	4	O	DTR
GND	-	5	6	I	DSR
RTS	O	7	8	I	CTS
RI	I	9			

TEKNOR offers a 10-pin header to 9-pin DSUB cable for IBM-AT compatibility. This can be purchased from TEKNOR or a cable can be made with a flat cable, a 10-pin flat cable crimp header and a 9-pin DSUB flat cable crimp connector. The use of Taiwanese adapter cables is not recommended, since the pinout is often incorrect. The direct crimp design offered by TEKNOR allows the simplest cable assembly. All these cables are available from TEKNOR by contacting the Sales department.

Serial Port 2 (J4) RS-232

The Serial Port 2 can be configured as RS-232 or RS-485. As a RS-232 port, it is 100% compatible to the IBM-AT serial port, with the use of the IBM 9-pin DSUB Standard. The following tables show their pinouts:

TABLE 5-5a: Serial Port 2 (J4) RS-232

Pin Number			Pin Number		
Signal Flow			Signal Flow		
Signal			Signal		
DCD	I	1	2	I	DSR
RX	I	3	4	O	RTS
TX	O	5	6	I	CTS
DTR	O	7	8	I	RI
GND	-	9	10	-	Not Used

TABLE 5-5b: IBM 9-Pin DSUB Standard

Pin Number			Pin Number		
Signal Flow			Signal Flow		
Signal			Signal		
DCD	I	1	2	I	RX
TX	I	3	4	O	DTR
GND	-	5	6	I	DSR
RTS	O	7	8	I	CTS
RI	I	9			

TEKNOR offers a 10-pin header to 9-pin DSUB cable for IBM-AT compatibility. This can be purchased from TEKNOR or a cable can be made with a flat cable, a 10-pin flat cable crimp header and a 9-pin DSUB flat cable crimp connector. The use of Taiwanese adapter cables is not recommended, since the pinout is often incorrect. The direct crimp design offered by TEKNOR allows the simplest cable assembly. All these cables are available from TEKNOR by contacting the Sales department.

Serial Port 2 (J4) RS-422/RS-485

If Serial Port 2 is configured for RS-422/RS-485 operation, it can support either full-duplex or party line communication.

Full Duplex Operation (RS-422): Upon power-up or reset, the COM2 interface circuits are automatically configured for full duplex operation. Pins 3 and 4 of J4 act as the receiver lines and pins 5 and 6 act as the transmitter lines.

Party Line Operation (RS-485): In order to enable party line operation, the user must first write "1" to bit 3 at I/O Port 190H (or at 290H or 390H depending on W22 jumper). This allows the transceiver (pins 3 and 4 of J4) to be controlled by the RTS signal. Upon power-up or reset, the transceiver is by default in "receiver mode" in order to prevent unwanted perturbation on the line.

In party line operation, termination resistors R145 and R153 must be installed only on the boards at both ends of the network.

The following table shows this connector's pinout:

TABLE 5-6: Serial Port 2 (J4) RS-422/RS-485

Pin Number			Pin Number		
Signal Flow			Signal Flow		
Signal			Signal		
DCD	I	1	2	I	DSR
RXD(-)	I/O	3	4	I/O	RXD(+)
TXD(-)	I/O	5	6	I/O	TXD(+)
DTR	O	7	8	I	RI
GND	-	9	10	-	Not Used

5.02.2 JUMPERS

Serial ports jumpers and their settings appear below:

- W6, W12, W13, W14 & W15 Serial Port 2 Configuration:
 - W6 open and pins 1-2 of W12-W15 shorted: RS-232: This is the initial setting.
 - Or W6 shorted and pins 2-3 of W12-W15 shorted: RS-422/RS-485.

- W7 RTS2-CTS2 & W8 DSR2-DTR2:
 - W7 and W8 shorted: Loopback, or
 - W7 and W8 open: Normal: This is the initial setting.

For location and settings of jumpers, refer to Section 3 of this manual.

5.02.3 AMIBIOS SETUP

Follow these steps, from the AMIBIOS Setup program's main menu:

- From the Setup window, select the Peripheral icon.
- In the Peripheral Setup screen, these options may be set: ONBOARD SERIAL PORT 1 and ONBOARD SERIAL PORT 2.

For more detail, refer to section 10.02 - AMIBIOS SETUP PROGRAM.

SECTION 6 INSTALLING IDE, FLOPPY & SCSI DEVICES

6.01 INSTALLING IDE DEVICES

6.01.1 TYPE OF HARD DISK SUPPORTED

The VIPer809 supports AT Integrated Disk Drives. The AT embedded drive architecture incorporates drive electronics and controller circuitry on a single printed circuit board which is mounted directly to the disk drive chassis.

Integrating the hard drive and controller functions eliminates redundant circuitry, thus providing greater reliability and performance at reduced cost.

6.01.2 IDE CONNECTOR PINOUT

TABLE 6-1: IDE Hard Disk Connector (J1) - Pinout

Pin Number	Signal Flow	Signal	Pin Number	Signal Flow	Signal
1	I	RESET*	2	-	GND
3	I/O	HD7	4	I/O	HD8
5	I/O	HD6	6	I/O	HD9
7	I/O	HD5	8	I/O	HD10
9	I/O	HD4	10	I/O	HD11
11	I/O	HD3	12	I/O	HD12
13	I/O	HD2	14	I/O	HD13
15	I/O	HD1	16	I/O	HD14
17	I/O	HD0	18	I/O	HD15
19	-	GND	20	-	Not Used
21	-	Not Used	22	-	GND
23	I	IOW*	24	-	GND
25	I	IOR*	26	-	GND
27	O	IOCHRDY	28	I	BALE
29	-	Not Used	30	-	GND
31	O	IRQ14	32	O	IOCS16*
33	I	SA1	34	-	Not Used
35	I	SA0	36	I	SA2
37	I	CS0*	38	I	CS1*
39	O	ACTIVE*	40	-	GND

* Active low signal

6.01.3 IDE HOOK-UP

For the hook-up, a 40-pin dual row header signal connector is required. This connector handles all command, data and status I/O lines. Its recommended maximum cable length is 18-24 inches. It connects directly with the onboard 40-pin male header connector at J1.

The drive itself can be mounted in any horizontal or vertical plane.

For a list of recommended devices and connectors, see Appendix E - RECOMMENDED DEVICES & MATING CONNECTORS.

6.01.4 IDE JUMPER

IDE Controller jumper and its setting appear below:

- W9 IOCHRDY signal to IDE interface:
 - Shorted: Enabled.
 - Or open: Disabled: This is the initial setting.

For location and setting of jumper, refer to Section 3 of this manual.

6.01.5 IDE SOFTWARE SETUPS

VIP-UP Setup

In the VIP-UP software utility, the drive letter position C, D and E can be changed, when the first parameter "Disks C: to E: Configuration (BIOS Int 13h)" is set to Enabled.

For more detail on the VIP-UP Setup, refer to section 10.01 of this manual.

AMIBIOS Setup

Follow these steps, from the AMIBIOS Setup program's main menu:

- From the Setup window, select the Standard icon.
- From the Standard Setup screen, select the appropriate hard disk drive icon.
- For each hard disk, these options can be defined: TYPE, LBA/LARGE MODE, BLOCK MODE, 32BIT MODE and PIO MODE. TYPE and PIO MODE can be Auto detected if the hard disk drive is an IDE drive: the Auto option automatically finds all of the IDE drive parameters for that hard disk. You should check your hard disk data sheets to know if any of the other options - LBA/LARGE MODE, BLOCK MODE and 32BIT MODE - should be set to ON; if your hard disk supports these modes, enabling them will optimize your system.
- Return to the main menu, and select the Chipset icon from the Setup window.
- From the Chipset Setup screen, you can set these options: TURBO IDE FUNCTION, ONBOARD IDE COMMAND WIDTH and ONBOARD IDE BACK TO BACK DELAY.
- Return to the main menu, and select the Peripheral icon from the Setup window.
- In the Peripheral Setup screen, the ONBOARD IDE option may be set to Primary, Secondary or Disabled.

For more detail, refer to section 10.02 - AMIBIOS SETUP PROGRAM.

6.02 INSTALLING FLOPPY DEVICES

6.02.1 TYPES OF FLOPPY DEVICES SUPPORTED

The floppy disk controller is IBM PC XT/AT compatible (single and double density) and supports Enhanced Floppy Mode (2.88MB). It handles 3.5 inch and 5.25 inch, low and high density drives. Up to two drives can be supported in any combination.

6.02.2 FLOPPY CONNECTOR

TABLE 6-2: Floppy Connector (J2) - Pinout

Pin Number	Signal Flow	Signal	Pin Number	Signal Flow	Signal
1	-	GND	2	O	DRV DENS.SEL.0*
3	-	GND	4	-	Not Used
5	-	GND	6	-	Not Used
7	-	GND	8	I	INDEX*
9	-	GND	10	O	MOTOR ON 0,1*
11	-	GND	12	O	DRIVE SELECT B
13	-	GND	14	O	DRIVE SELECT A
15	-	GND	16	O	MOTOR ON 2*
17	-	N. C. ¹	18	O	DIR CONTROL*
19	-	GND	20	O	STEP*
21	-	GND	22	O	WRITE DATA*
23	-	GND	24	O	WRITE ENABLE*
25	-	GND	26	I	TRACK0*
27	-	N. C. ¹	28	I	WRITE PROTECT*
29	-	N. C. ¹	30	I	READ DATA*
31	-	GND	32	O	HEAD SELECT*
33	-	N. C. ¹	34	I	DSKCHG

* Active low signal

¹ By default, these pins are not connected. However, by installing the W20 and W21 jumpers, these configurations are possible (see also page 6-8 in the manual):

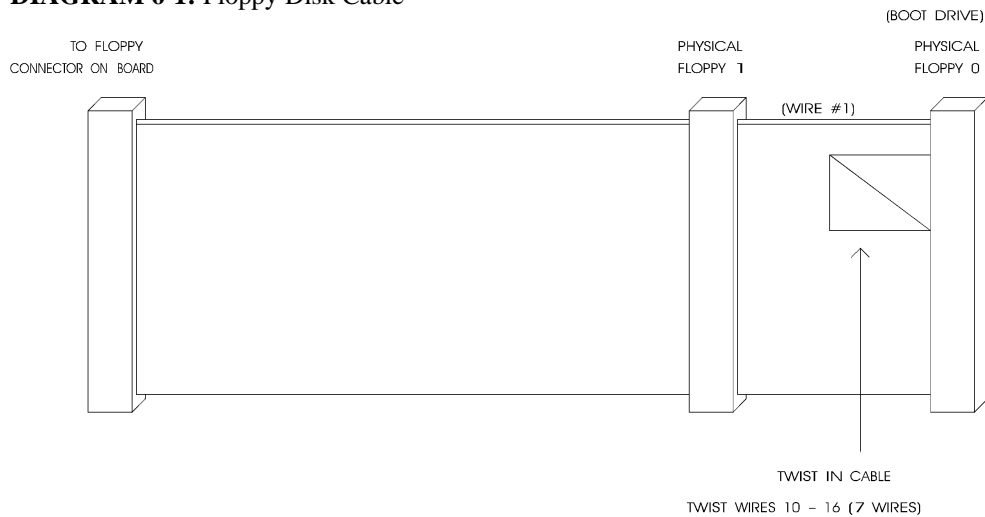
- | | | |
|-------------------|-----|----------------------|
| 1) 17 GND | Or: | 2) 17 EDOUT (2.88MB) |
| 27 GND | | 27 HDOUT (2.88MB) |
| 29 EDOUT (2.88MB) | | 29 GND |
| 33 HDOUT (2.88MB) | | 33 GND |

6.02.3 FLOPPY HOOK-UP

Mechanical Floppy Disk Installation:

The installation of the floppy drives is done via a standard IBM 34-pin flat ribbon cable that connects to J2.

DIAGRAM 6-1: Floppy Disk Cable



Enhanced Floppy Mode:

In order to connect your 2.88MB floppy drive, simply indicate the proper floppy disk drive in the AMIBIOS Setup program (Section 10); it is not necessary to set the HDOUT and EDOUT media detection signals jumpers.

6.02.4 FLOPPY JUMPERS

There are three possible jumper configurations for the 2.88MB High Density Floppy EDOUT and HDOUT signals:

- (1) W20: No jumper: HDOUT left to software, and
W21: No jumper: EDOUT left to software. This is the initial setting.

- (2) W20: Short Pins 1 and 3: HDOUT to Pin 33 (J2), and
Short Pins 2 and 4: Ground to Pin 27 (J2), and

W21: Short Pins 1 and 3: EDOUT to Pin 29 (J2), and
Short Pins 2 and 4: Ground to Pin 17 (J2).

- (3) W20: Short Pins 1 and 2: HDOUT to Pin 27 (J2), and
Short Pins 3 and 4: Ground to Pin 33 (J2), and

W21: Short Pins 1 and 2: HDOUT to Pin 17 (J2), and
Short Pins 3 and 4: Ground to Pin 29 (J2).

These jumpers are optional. Your 2.88MB Floppy Drive will operate correctly if 2.88MB is indicated in the AMIBIOS Standard Setup screen. Not installing these jumpers will work for all floppy disk drives, as long as the proper floppy type is indicated in AMIBIOS Setup. We recommend you not install these jumpers, for proper operation.

For location and settings of jumpers, refer to Section 3 of this manual.

6.02.5 FLOPPY AMIBIOS SETUP

Follow these steps, from the AMIBIOS Setup program's main menu:

- From the Setup window, select the Standard icon.
- From the Standard Setup screen, select the Floppy A icon (or the Floppy B icon).
- The settings are 360KB 5¼ inch, 1.2MB 5¼ inch, 720KB 3½ inch, 1.44MB 3½ inch, or 2.88MB 3½ inch.
- Return to the main menu, and select the Peripheral icon from the Setup window.
- In the Peripheral Setup screen, the ONBOARD FDC option may be set to Auto, Enabled (enable Floppy Drive Controller) or Disabled.

For more detail, refer to section 10.02 - AMIBIOS SETUP PROGRAM.

6.03 INSTALLING SCSI DEVICES

The VIPer809 uses the Adaptec AIC-6370 Single Chip Plug and Play ISA-to SCSI Host Adapter. Its features include a maximum SCSI transfer rate of up to 10 MB per second (Fast SCSI), asynchronous or synchronous SCSI transfer, up to 10 MB per second burst data rate on the ISA bus, and bootable SCSI hard disk drive support.

6.03.1 INSTALLING A SCSI HARD DISK

This section will explain how to install a fixed SCSI Hard Disk on your system. No additional hardware or drivers are necessary if no more than two IDE/SCSI hard disks are present in your system.

To install your fixed SCSI hard disk, follow these steps:

1 - VIP-UP Setup

It is important that you configure your VIPer809 properly with the VIP-UP software utility prior to physically installing your SCSI hard disk. The On Board SCSI DEVICE and the On Board SCSI BIOS options of the VIP-UP screen must be set at Enabled. When done, update your VIP-UP Setup by pressing the F10 key.

You should not "install" your SCSI hard disk type in AMIBIOS Setup (only your IDE hard disk).

2 - Jumpers (Power Off)

Now, power off your computer. In most cases, the VIPer809 board's initial jumper settings should be kept, unless there is a conflict with other devices you have installed.

The W2 jumper determines whether the VIPer809 board is terminated by hardware or by software. The settings are:

- Pins 1-2 shorted: Termination enabled by hardware: This is the initial setting, or
- Pins 2-3 shorted: Termination enabled/disabled by software, or
- No jumper: Termination disabled by hardware.

Jumper locations and settings appear in Section 3 of this manual.

Make sure that both ends of the SCSI cable are terminated and that all devices in between the ends are non-terminated. If the VIPer809 board is located at the end of the SCSI cable, it should be terminated. By default, the SCSI connector on the VIPer809 board is terminated, as shown above with the W2 jumper settings.

3 - Connect SCSI Cables (Power Off)

The VIPer809 has a high density 50-pin connector. To connect to the SCSI cable, you need a SCSI Adaptor Cable Assembly. The SCSI Adaptor 50 HDD to 50 HD Assembly comes with your board.

Attach one end of the SCSI cable to the 50 HD connector, then the 50 HDD connector to the board's J7 connector. Make sure line 1 of the cable is matched with pin 1 of connector J7. Attach the other end to your SCSI device, making sure line 1 is matched with pin 1 on your device.

TABLE 6-3: SCSI Connector (J7) - Pinout

Pin Number	Signal	Pin Number	Signal
1	GND	2	SCSI D0
3	GND	4	SCSI D1
5	GND	6	SCSI D2
7	GND	8	SCSI D3
9	GND	10	SCSI D4
11	GND	12	SCSI D5
13	GND	14	SCSI D6
15	GND	16	SCSI D7
17	GND	18	SCSI DP*
19	GND	20	GND
21	GND	22	GND
23	GND	24	GND
25	Open	26	Term Power
27	GND	28	GND
29	GND	30	GND
31	GND	32	ATN*
33	GND	34	GND
35	GND	36	BSY*
37	GND	38	ACK*
39	GND	40	RESET*
41	GND	42	MSG*
43	GND	44	SEL*
45	GND	46	C/D*
47	GND	48	REQ*
49	GND	50	I/O*

* Active low signal

You may want to install a LED to monitor the SCSI bus activity. This is possible by installing a cable to the J10 SCSI LED Connector. See Appendix E for recommended mating parts.

TABLE 6-4: SCSI LED Connector (J10) - Pinout

Pin Number	Signal
1	VCC (+5V)
2	LED-CTL*

* Active low signal

Finally, you must also install a cable from your power supply to your SCSI device.

6.03.2 INSTALLING OTHER SCSI DEVICES

To install any of the following: CD-ROM, Magneto-Optical/Removable Disk Drive, Tape Drive, Write Once Read Many (WORM) and scanners, contact TEKNOR's Technical Support department for more information.

SECTION 7

INSTALLING SOLID STATE DISKS (SRAM/FLASH)

Solid State Disks (SSDs) have no moving parts and are far less susceptible to dirt, moisture, vibration and temperature variations than mechanical floppy disks. Two types of SSDs are available: Static-RAM (SRAM) and Flash EPROM. The VIPer supports up to 512 KB of SRAM and 4 MB of Flash EPROM.

7.01 SRAM DISK

The VIPer comes optionally with 128 KB or 512 KB of SRAM, which can be used as a semiconductor disk. The advantage of a semiconductor disk over a mechanical drive is that it is much faster. It also has a major advantage over a regular RAM drive (made of DRAM): SRAM is battery-backed, which means that all your data will be retained even if you power down your system.

The SRAM disk also "looks" just like a hard disk since you can partition and format it, and read and write directly to it, all using regular DOS commands.

Creating a SRAM disk is just a matter of using the FDISK and FORMAT commands as detailed in the following steps:

- First, you must assign a drive letter to your SRAM drive. This can be done in the second screen of the VIPer Setup utility (explained in Section 10.01 of this manual). If you want the SRAM disk to be bootable, then assign the C drive letter to it.
- Then, from the DOS prompt invoke FDISK.
 - If more than one disk is present in your system, you will first have to select option 5 (Change current fixed disk drive) by typing the letter and pressing ENTER. The capacity of the SRAM disk will be displayed as 0 MB for a 128 KB disk or 1 MB for a 512 KB disk (this is normal, since DOS FDISK was designed to work with larger disks; it will work anyway).
 - From the main menu, select option 1 (Create DOS partition or logical DOS drive).

- From the menu (Create DOS partition or logical DOS drive), select option 1 (Create primary DOS partition). The capacity of the disk is displayed as 0 MB for a 128 KB disk or 1 MB for a 512 KB disk. Enter the percentage of the available SRAM memory you wish to use for the disk; this should be 100% most of the time. If you use less than 100%, the remaining memory will be free and may be used as "scratch pad memory" by your application.
 - FDISK will not automatically set the newly created partition active. If you want to make SRAM bootable, select option 2 (Set active partition) from the main menu.
 - Finally, from the DOS prompt use the FORMAT command with the appropriate drive letter; do not forget to use the /s switch if you wish to make it bootable.
- ☞ **Files transferred to the battery-backed SRAM disks will be preserved as long as the battery is good. The battery can typically last two years. However, actual life depends on the consumption of the SRAM devices installed, as well as the amount of time the board is powered off.**

7.01 FLASH EPROM DISK

The non-volatile characteristics of Flash memory eliminate the risk of losing valuable data updates (a concern with battery-backed SRAM). As a result, Flash memory offers major advantages in applications like automated factories, remote systems, portable equipment and similar environments. Also, Flash memory is obtainable at a much lower cost than EPROM or battery-backed SRAM.

The VIPer809 comes optionally with 2MB or 4MB of Flash EPROM for use as Flash disks. Two special software utilities are available for creating Flash disks: TEKNOR's VFLASH software and Microsoft's FLASH FILE SYSTEM II (FFSII files can be purchased from TEKNOR).

A Flash EPROM disk created with VFLASH is very much like a hard disk. A partition is created and data is stored in files, just like on a hard disk. The main difference between the two is that a Flash disk is a read-only drive. Therefore, in order to write software to Flash devices, you must use VFLASH. VFLASH must also be used if you want to make the Flash EPROM disk bootable, after which you must configure the Flash Disk as C: in the VIP-UP Setup.

For information on using VFLASH, see Section 11.

With the FLASH FILE SYSTEM II software, Flash EPROM disks are read/write and may be accessed via DOS commands. For information on using this utility, see Section 12.

SECTION 8 INSTALLING VIDEO

The VIPer809 video system includes a local bus Flat Panel/CRT video controller, 1 MB of video memory (DRAM) and a video feature /V-PORT connector.

8.01 FLAT PANEL / CRT SVGA CONTROLLER

The VIPer809's Flat Panel / CRT Super VGA controller is a single-chip video controller from Cirrus Logic[®] (CL-GD7548). It is fully compatible with the IBM[™] VGA standard at the hardware and BIOS level. Other features of the video chip include BitBLT (bit block transfer) GUI acceleration, true-color capability, power management support, enhanced MVA (Motion Video Acceleration) support with TFT and STN panels, and full-motion video playback.

8.01.1 FLAT PANEL SUPPORT

The video controller supports panels with a resolution of up to 1024 x 768. It supports monochrome and color Single-Panel/Single-Drive, Dual-Panel/Dual-Drive, STN and TFT LCD panels. The CL-GD7548 also supports two types of XGA TFT flat panels: 1 bit/pixel and 2 bits/pixel with an interface board.

8.01.2 CRT SUPPORT

The video controller supports CRT terminals with a resolution of up to 1024 x 768 (256 colors). It is compatible with CGA, EGA, Hercules, MDA, VGA and SVGA monitors.

8.01.3 DISABLING VIDEO

The video controller can be disabled by shorting pins 7 and 8 on the W23 jumper. See Section 3 for jumper location and settings.

This feature is useful when an external video card is required for testing or other purposes.

8.02 CONNECTING CRT VIDEO DISPLAY

Connecting CRT video to the VIPer809 is simple. Merely connect the standard VGA DB15 male connector to the board's J15 high density, right angle, female connector. See Diagram 8-1 on the following page for the location of J15.

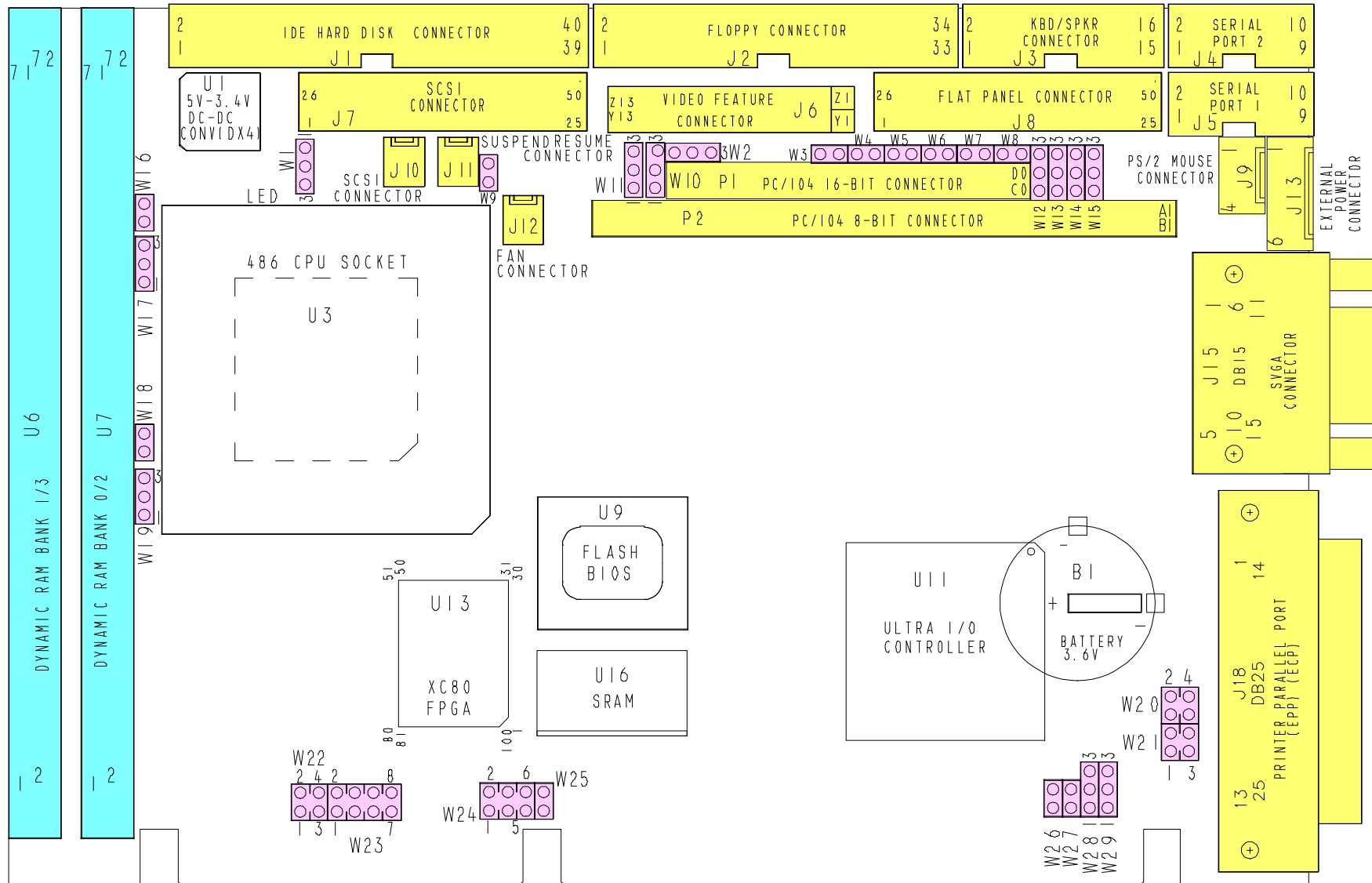
8.02.1 SVGA CONNECTOR (J15)

The VGA connector's pinout appears in Table 8-1.

TABLE 8-1: SVGA Connector (J15) - Pinout

Pin Number	Signal	Pin Number	Signal	Pin Number	Signal
1	RED	6	GND	11	Not Used
2	GREEN	7	GND	12	Not Used
3	BLUE	8	GND	13	HSYNC
4	Not Used	9	Not Used	14	VSYNC
5	GND	10	GND	15	Not Used

DIAGRAM 8-1: VPer809 Connector Locations



8.03 CONNECTING FLAT PANEL VIDEO DISPLAY

8.03.1 FLAT PANEL CONNECTOR (J8)

The Flat Panel connector's pinout appears in Table 8-2. See Diagram 8-1 on the previous page for the location of J8.

TABLE 8-2: Flat Panel Connector (J8) - Pinout

Pin Number	Signal	Pin Number	Signal
1	FP4	26	FPDE
2	FP5	27	GND
3	FP6	28	GND
4	FP7	29	FP8
5	FP12	30	GP0
6	FP13	31	GP1
7	FP14	32	GND
8	FP15	33	FPBL
9	FP19	34	GND
10	FP18	35	LLCLK
11	FP11	36	GND
12	FP10	37	FPVEE
13	FP23	38	FPVCC
14	FP22	39	FP2
15	FP21	40	GP2
16	FP20	41	STANDBY*
17	GND	42	FP16
18	FPVDCLK	43	FP1
19	GND	44	FP17
20	FP9	45	Not Used
21	GND	46	Not Used
22	LFS	47	VCC (+5V)
23	FP3 (MOD)	48	VCC (+5V)
24	FP0	49	+12V
25	GND	50	+12V

* Active low signal

8.03.2 FLAT PANEL INSTALLATION

The VIPer809 board supports many different types of Flat Panel displays. TEKNOR has fully tested a number of these panels and provides all the BIOS software support and the technical information needed to properly interface your VIPer809 board with your selected Flat Panel display.

Downloading Files From the TEKNOR Web Site

If you have access to the Internet, many video BIOS files in a binary format and related interconnection charts in a PDF format are available on our web site. You can download these files, if you are a customer of TEKNOR and have a password from TEKNOR. If you do not have your password, contact TEKNOR's Technical Support to obtain it.

To download a video BIOS file or its interconnection chart file, follow this procedure:

1. Access the TEKNOR web site. Our address is <http://www.teknor.com> .
2. Go to the Support & Services section.
3. Scroll down the list of products until you find the name of your board and click on it. This selection is a link to the board's support area.
4. Click on the Video BIOS link.
5. The list of tested Flat Panel displays appears. If you find your particular display, you can then ask to download the associated BIOS or interconnection chart files by clicking the appropriate link.
6. A pop-up window appears. You must enter your password (case sensitive) and click the SUBMIT button. Entering your e-mail address is optional. Follow the instructions in subsequent pop-ups to download the file.

More Available From Teknor

If you do not have access to our web site, or if you do not see the name of your Flat Panel display on our site for your specific TEKNOR board, then you need to contact TEKNOR's Technical Support department. Since we are always testing new flat panels, it is possible that we have tested your particular type of panel display. Even if we have not tested it, TEKNOR's Technical Support can do it for you and supply the video BIOS and the technical information you need.

BIOS File

The BIOS files are self-extracting files (VXX_XXX.EXE), each including two files: the flat panel BIOS file (VXX_XXX.BFP) and a DOS text file (VXX_XXX.DOC) for the BIOS update utility program.

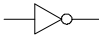
The letters which form the BIOS name are made up of the following parts:

V	XX	_	XX	X
Video BIOS	Video Controller		Version	Revision

Once you have the correct video BIOS file, you need to copy the video BIOS file to your board's Flash BIOS device. This is done with the BIOS update utility program; see Section 13 to learn how to perform a video BIOS file update with this TEKNOR utility.

Technical Information File

The related technical information file, which includes the interconnection chart, is a PDF (Portable Document Format) file. The name of this file identifies the Flat Panel and the TEKNOR board with its video controller.

Note: The column labeled **EXTERNAL** in the Display Interconnection table of the PDF file refers to the external circuitry or supplies which are needed in certain cases. This is usually an external power supply or an inverter frequently used in the clock circuit "SHFCLK" (in the case of V_{LCD} and V_{ADJ} , consult the manufacturer's flat panel data sheet for the actual voltage). An inverter is shown as . When no special circuits are shown in this column, connections are direct.

8.03.3 VOLTAGE LEVEL SELECTION FOR FLAT PANEL CONTROL SIGNALS

The W10 jumper is used to select the voltage level (5 V or 3.3 V) for the Flat Panel control signals:

- Short pins 1 and 2 for 5 V: This is the default setting.
- Short pins 2 and 3 for 3.3 V.

WARNING:

The VIPer809 only supplies the Flat Panel with 5 V power. In order to supply 3.3 V power to your Flat Panel, an external 5 V to 3.3 V DC-DC voltage converter is required. Incorrect power voltage can damage your Flat Panel!

8.04 VIDEO FEATURE / V-PORT CONNECTOR (J6)

The J6 connector is a VESA/VGA pass-through connector. It supports the 8-bit mode directly and the 16-bit mode when using an external data multiplexer.

Through the J6 connector, the VIPer809 makes dynamic overlay possible. In dynamic overlay configurations, the video signal can be overlaid on a pixel by pixel basis. This makes it possible to overlay a portion of the frame and mix the signal with externally generated video signal. Both the video source and the choice of pixels to overlay can be changed dynamically.

The J6 connector also supports the 8-bit V-PORT, with options such as live video capture (TV in a window) or hardware MPEG decode interface. V-PORT eliminates the need for an external video frame buffer and additional hardware. It also enables video multimedia add-in card solutions. If you want to use the V-PORT capabilities, contact Technical Support for other important information (including changes in the connector's signals).

Jumpers W4 and W5 are used for configuring the J6 connector:

- Enable Feature Connector: Open W4 and short W5;
- Disable Feature Connector: Short W4 and open W5 (This is the initial setting);
- Enable V-PORT: Open W4 and W5.

Note: When the video feature connector or the V-PORT is enabled, the Flat Panel connector will support 18-bit Flat Panels or less (maximum 256K colors). When the video feature connector is disabled, Flat Panel types above 18-bit are supported (for example, 24-bit).

WARNING:

When the voltage level for the Flat Panel Control signals is set at 3.3V via the W10 jumper, only 3.3V logic levels can be used for the Feature Connector.

TABLE 8-3: Video Feature / V-PORT Connector (J6) - Pinout

I/O Pin	Signal Name
Y1	FCP0
Y2	FCP1
Y3	FCP2
Y4	FCP3
Y5	FCP4
Y6	FCP5
Y7	FCP6
Y8	FC P7
Y9	FCCLK
Y10	FCBLANK*
Y11	FCHSYNC
Y12	FCVSYNC
Y13	GND

I/O Pin	Signal Name
Z1	GND
Z2	GND
Z3	GND
Z4	FCEVIDEO*
Z5	FCESYNC*
Z6	Not Used
Z7	Not Used
Z8	GND
Z9	GND
Z10	GND
Z11	GND
Z12	FCVCLK
Z13	OVRW*

* Active low signal

SECTION 9 POWER MANAGEMENT

9.01 POWER SUPPLY SOURCE

The VIPer809 board is powered from one of two sources:

- Power connector (J13): Stand-alone systems are powered from an outside power supply through the J13 connector.
- ISA (AT) bus: When the board is in a passive backplane system, it is powered through the ISA bus.

The pinout for the J13 power connector is shown in the table below:

TABLE 9-1: External Power Connector (J13) - Pinout

Pin Number	Signal
1	VCC (+5V)
2	GND
3	GND
4	+12V
5	-12V
6	PD (Power Fail Detection Input)

9.02 POWER MANAGEMENT MODES

The VIPer809 supports a very flexible and powerful power management scheme. The System Controller provides progressively higher levels of power conservation whenever the system is idle through the following special power saving modes: Doze Mode, Sleep Mode and Suspend Mode (power management test results are given in Table A-2 on page A-2). These modes are fully programmable through the AMIBIOS Setup Program.

The CPU power consumption is reduced through the STOPCLOCK protocol, which is used to shut down the CPU's internal clock during the various power management modes. In general, each progressive level of power management is entered when inactivity is detected by the System Controller which monitors activity from the Keyboard, Video, Serial and Parallel I/O, and the Hard and Floppy Drives.

The timeouts which are used to enter into Doze Mode, then Sleep Mode, and finally Suspend Mode, are programmable via the AMIBIOS Power Management Setup screen. Each mode is described below.

9.02.1 DOZE MODE

The Doze Mode is the System Controller's first level of power conservation. During Doze Mode, the display and hard drive will remain active. In fact, this mode is transparent to the user. Exit from Doze Mode is by a keypress or a serial port interrupt (e.g., mouse movement). Exit from Doze Mode is immediate.

9.02.2 SLEEP MODE

The Sleep Mode is the System Controller's second level of power conservation. During Sleep Mode, the display becomes inactive and the hard drive motor is stopped. Exit from Sleep Mode is by a keypress or a serial port interrupt (e.g., mouse movement). Exit from Sleep Mode takes approximately 5 seconds.

9.02.3 SUSPEND MODE

The Suspend Mode is the System Controller's third and deepest level of power conservation. During Suspend Mode, the display and the hard drive motor remain inactive. Exit from Suspend Mode is via a contact closure on the J11 Suspend / Resume Momentary Switch Connector (see Diagram 8-1) or via the RING signal from an external modem. Thus, if Suspend Mode is to be used, a Normally Open momentary switch should be connected to this connector. Exit from Suspend Mode takes approximately 7 seconds.

9.03 RESET CIRCUIT

9.03.1 EXTERNAL RESET CIRCUIT SWITCH

The VIPer can be reset by activating an external reset switch.

This switch should be connected between pin 13 (PBRES*) and pin 14 (GND) on the Keyboard / Speaker Connector (J3).

This provides an easy and effective way of resetting the system.

See Section 4.05 for more information.

9.03.2 ONBOARD POWER DETECTION

An onboard device, which is part of the reset circuit, constantly monitors the voltage which powers the board. Normally, the board is powered with 5V; if the supply voltage drops below 4.65V (a typical threshold), the onboard circuitry will reset the VIPer board and the system. This reset has the same effect on the system as the reset button.

9.04 POWER FAIL DETECTION CIRCUIT

The Power Failure Detector always monitors:

- The backup battery to warn of a low battery condition, and
- The +5V power supply to detect when it falls below 4.75V.

If either of the two above conditions occur, the PFO (Power Fail Output signal) goes low. In the case of the +5V power supply, a reset will result as explained in the previous section (9.03.2). In the case of the low battery, what happens will depend on the setting of the W27 jumper and user-defined algorithm.

The W27 jumper, when shorted, will generate a NMI (Non Maskable Interrupt), through the IOCHK* line, when the PFO goes low. In turn, this NMI may be serviced by an interrupt handler to locate the source and notify the user or the system.

If the W27 jumper is left open, no NMI is generated, however an algorithm could be used to detect a low battery condition and respond accordingly.

A low battery condition is detected, in any case, by polling bit 3 at TEKNOR's I/O base address register (190H, 290H or 390H, depending on W22 jumper setting): If this bit reads "1", then the battery voltage is good; if it reads "0", then it is in a low condition (below 2.9V, typical).

There are three ways to set the power fail circuit:

- **Using Internal Battery & Monitoring External Source:**

Internal Battery (set by W28 jumper with pins 1-2 shorted) and External Power Fail Input to Pin 6 of J13 connector (set by W29 jumper with pins 1-2 shorted).

The power detection input can only accept DC voltage. The line is monitored via a resistor network made up of a user-defined resistor (R170) and a fixed 1K Ω resistor connected to GND. The junction of these two resistors is connected to the input of the power fail circuit which has its threshold set to 1.25V. R170 can be calculated as follows:

$$R170 = 1K\Omega \frac{(VI - 1.25)}{1.25} \text{ where VI is input voltage on pin 6 of the power connector.}$$

- **Using Internal Battery & Monitoring Internal Battery:**

Internal Battery (set by W28 jumper with pins 1-2 shorted) and Power fail detect when battery is less than 3V (set by W29 jumper with pins 2- 3 shorted).

When the internal battery is selected as being the source of the power fail circuit, it is set to trip when the battery goes lower that 3V.

- **Using External Battery & Monitoring External Battery:**

External Battery (set by W28 jumper with pins 2-3 shorted) and Power fail detect when battery is less than 3V (set by W29 jumper with pins 2-3 shorted).

When the external battery is selected as being the source of the power fail circuit, it is set to trip when the battery drops below 3V.

This means that when an external battery is used, the voltage needs to be monitored on the battery.

9.05 WATCHDOG TIMER

The Watchdog Timer is extremely useful in embedded systems, where human supervision is not required.

Jumper W26 must be installed to permit activation of the Watchdog. If jumper W26 is removed, the Watchdog is disabled.

The Watchdog must also be enabled and refreshed by software. To enable the Watchdog by software, first write "1" in bit "0" at address 190H the first time (or at 290H or 390H depending on the W22 jumper setting).

When enabled, the microprocessor must refresh the Watchdog. This is done by writing alternatively "0" and "1" to bit 1 at address 190H (or at 290H or 390H), once every 1.6 seconds (or less) to verify proper software execution.

Following a reset, the Watchdog is always disabled.

If a hardware or software failure occurs such that the Watchdog is not refreshed, a reset pulse is generated by the Watchdog to restart the processor.

☞ **The user program must provide the first access to address 190H (or 290H or 390H), and must also include the refresh routine. In addition, be certain to keep a mirror image of register 190H (or 290H or 390H) when programming it. This is necessary since the register is a write-only user register and, as a result, is not used by the system BIOS.**

TABLE 9-2: Watchdog Timer Register

ADDRESS	REGISTER
190H, 290H or 390H: Bit 0 Read/Write	Watchdog enable
190H, 290H or 390H: Bit 1 Read/Write	Watchdog refresh

The default timeout period is 1.6 seconds; however, the timeout period can be changed. Shorting C137 and leaving R232 opened changes the timeout to 100 ms. Shorting R232 and installing a capacitor at C137 will change the timeout period according to the following formulae:

$$\text{Timeout (milliseconds)} = \frac{400}{47\text{pF}} \times C \quad \text{or} \quad C137 = \frac{\text{Timeout (milliseconds)} \times 47\text{pF}}{400\text{ms}}$$

For instance, an external capacity of 100pF will lengthen the timeout to 851ms and a 1000pF will bring it to 8.5 seconds.

SECTION 10

VIPer SOFTWARE SETUP

The VIPer809 is fully software configurable. The setup program allows for minimal hardware configuration.

The VIP-UP program - TEKNOR's own Setup program for enabling / disabling / relocating various hardware features - is explained in section 10.01.

The AMIBIOS Setup program which is used to change operating parameters is explained in section 10.02.

The procedure for updating or restoring the VIPer809 BIOS in the Boot-Block Flash is given in section 10.03.

10.01 VIP-UP PROGRAM

The VIP-UP program can be executed during boot-up: Hit the CTRL and V keys simultaneously, before or when you see the message "Press CTRL-V to enter TEKNOR VIP-UP" at the top of the screen (CTRL-V will work, even if the message display is disabled in VIP-UP).

You may also execute the VIP-UP program at the DOS prompt; in such a case, type "VIP-UP" and press ENTER. This program is available on the utility disk (VIP-UP.COM).

There are one or two screens in the VIP-UP program. The values appearing on the right side of each screen can be modified: Follow the instructions found at the bottom of the screen to select other values.

Use the ↑ and ↓ keyboard keys to move up and down the screen, and on to subsequent or preceding screens. As you do, the value of the selected field is highlighted. If you press the ↓ key when the last field of the screen is highlighted, the next screen is displayed. Pressing the ↑ key when the first field is highlighted will display the first field of the preceding screen; this way, you can move quickly from screen to screen.

Once a field value is highlighted, you can change it by pressing PgDn or typing "+" on the keyboard (in VT100 mode, only "+" will work); this will usually display a higher value. You can also press the PgUp key or type "-" ("-" in VT100 mode), which will usually display a lower value.

Press F10 to save the current configuration and exit (type "U" in VT100 mode). The configuration is not saved until F10 is pressed or "U" is typed. Press ESC to exit without saving the setup.

10.01.1 VIP-UP SCREEN

TEKNOR MICROSYSTEMS INC --- VIPer SETUP	
TEKNOR BIOS Extension Address	CC000H-CFFFFH
Disks C: to E: Configuration (BIOS Int 13h)	Disabled
Disk C: Configuration	Not Installed
Disk D: Configuration	Not Installed
Disk E: Configuration	Not Installed
Enter VIP-UP Message	Displayed 3 seconds
VT100 & Serial Download Speed	19200 BPS
VT100 & Serial Download Serial Port	COM1: 3F8H
On Board SCSI Device	Enabled
On Board SCSI BIOS	Enabled
Use Flash To Store CMOS RAM SETUP	No
Flat Panel VGA Controller Display Mode	CRT Only
↑↓ to select options	ESC - Quit without saving
PgDn(+), PgUp(-) to change an option	F10 - (U)pdate Flash BIOS

The screen's options are described below:

1. Selection of TEKNOR BIOS Extention address: The address of the Teknor BIOS Extension is set here. The Teknor BIOS Extension options are CC000h-CFFFFh and DC000h-DFFFFh.
2. Disks C: to E: Configuration (BIOS Int 13h): The Disk Configuration locations (C, D, E) can be user-defined by setting the first parameter "Disks C: to E: Configuration (BIOS Int 13h)" to "Enabled". You can then associate the disks present (e.g., Hard Disk 0, Hard Disk 1, Flash disk) to the drive letter desired. The disk you want to boot from must be configured as "Disk C:". Never assign a letter to a disk that is not present. Never skip a drive letter (e.g., the following is not valid: C: assigned to a disk, D: "Not Installed", E: to another disk).

Although the BIOS does not prevent it, you should not configure the same disk (Hard Disk 0, Hard Disk 1 or Flash Disk) at two or more locations (C, D or E), for example, Hard Disk 0 at D and E.

3. Enter VIP-UP message: This option allows the user to enable or disable the message "Press CTRL-V to enter TEKNOR VIP-UP" at the top of the screen upon boot-up.
4. VT100 & Serial Download: The VT100 & Serial Download Speed option is for selecting the desired speed for the VT100 and Download modes. The VT100 & Serial Download Serial Port option allows the use of either COM2 or COM1 for the VT100/Serial Download Mode hookup.

5. On Board SCSI: The On Board SCSI DEVICE option allows the user to enable or disable the SCSI Controller. The On Board SCSI BIOS option allows the user to enable or disable the SCSI BIOS which comes with the SCSI Controller.
6. Use Flash To Store CMOS RAM SETUP: When this option is set to "Yes", the CMOS RAM Setup will be restored from Flash during each power up. Only the time and date could be lost (if the battery fails). Please note that modifying and saving the CMOS RAM Setup in AMIBIOS Setup does not change the Flash copy; to update Flash, you must return to the VIP-UP Setup and press F10 while "Use Flash To Store CMOS RAM SETUP" is set to "Yes".
7. Flat Panel VGA Controller Display Mode: Three options exist for the Flat Panel VGA Controller: CRT Only (default), Flat Panel Only or Simultaneous (CRT and Flat Panel are allowed).

10.02 AMIBIOS SETUP PROGRAM

10.02.1 ACCESSING AMIBIOS SETUP PROGRAM

The VIPer809 uses the AMIBIOS Setup program, a setup utility in ROM that is accessed by pressing the DELETE key at the appropriate time during system boot. This utility is used to set configuration data in CMOS RAM.

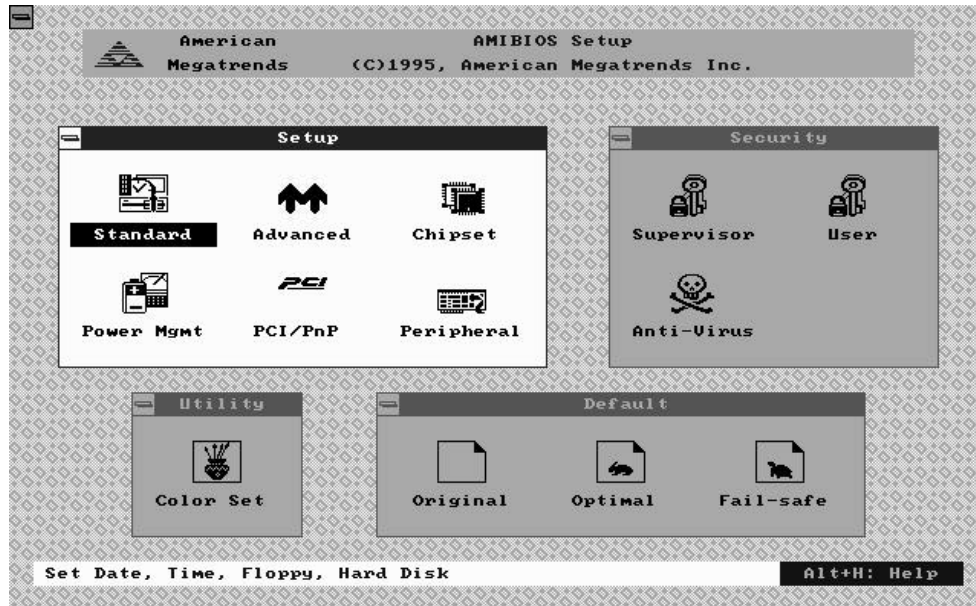
The system BIOS (Basic Input Output System) provides an interface between the operating system and the hardware of the VIPer809 single-board computer. The interface provided by AMIBIOS is 100% IBM AT compatible: All functions accept similar inputs as IBM and provide the same results, although the program code itself is different.

To run the AMIBIOS Setup program incorporated into the ROM BIOS:

- Turn on or reboot the system.
- Hit the DELETE key before or when the message - "Hit if you want to run SETUP" appears near the top of the screen (DELETE will work, even if the message display is disabled in AMIBIOS SETUP).
- The main menu appears on the screen.

10.02.2 AMIBIOS SETUP MAIN MENU

The main menu screen looks as follows:



Four windows appear on the above screen:

- Setup window (explained in section 10.02.4)
- Security window (section 10.02.5)
- Utility window (section 10.02.6)
- Default window (section 10.02.7).

The Setup window is highlighted on the screen displayed above, meaning that you can select items in that window. To highlight the other windows, press the TAB key on the keyboard, or if a supported mouse¹ was detected, move the arrow cursor over the desired window, and click the left mouse button.

- ☞ **Press TAB to select a window (Setup, Security, Utility, or Default) or click the mouse inside that window.**

¹ All PS/2-type mice are supported, as well as bus mice that use IRQ 3, 4 or 5 (not 2), Microsoft-compatible mice (M, V, W Series), Logitech C-series-compatible mice and many serial mice.

10.02.3 MAKING SELECTIONS, SAVING CONFIGURATIONS & EXITING AMIBIOS SETUP

MAKING SELECTIONS

Each of the windows displayed in the main menu screen contains icons (small drawings under which an identifying label appears). For example, the Setup window has the following icons and labels: Standard, Advanced, Chipset, Power Mgmt, PnP and Peripheral. Each of these icons corresponds to various setups available within AMIBIOS Setup, i.e. the Standard Setup, the Advanced Setup, the Chipset Setup, the Power Management Setup, the PnP Setup and the Peripheral Setup. Selecting one of these icons gives access to the corresponding Setup and its options.

To select an icon within a window, you must press one of the arrow keys on the keyboard until the desired icon is highlighted, and then press the ENTER key, or move the mouse to highlight the icon and click the left button to select. This method of selection basically applies for all selectable items (icons, options, and settings).

☞ **Icons, options and settings are selected by using one of the arrow keys to highlight the desired item, then by pressing the ENTER key, or by clicking the mouse over the desired selection.**

The windows in the program have layers, like boxes inside boxes. Selecting an icon, may display another window with icons; in turn, selecting one of these icons can display a window which contains a list of options. Selecting an option will in turn open a window containing a list of possible settings. To return to a previous window, you press the ESC key on the keyboard, or click the small box on the top left corner of the window.

☞ **To close the current window and move to the previous window, press the ESC key or click the small box on the top left corner of the window.**

Mostly all selections and settings will be done using the special keys (TAB, ESC, →, ←, ↑, ↓ and ENTER) or using the mouse's left button. There are a few exceptions, for example while entering the date and time (Standard Setup option), you need to use the + or - keys or click the + or - boxes to change the values. Another example is when characters need to be entered at the keyboard, such as a password (a window appears which resembles a keyboard; as you enter the characters, "*" is displayed for each character entered; then to accept the password, press ENTER).

SAVING CONFIGURATIONS & EXITING AMIBIOS SETUP

If you press the ESC key from the main menu screen or click the small box on the upper left corner of one of the main menu windows, an EXIT SETUP window appears.

The EXIT SETUP window displays the following options:

- Save changes and Exit
- Do not save changes and Exit
- Continue

Each is explained below:

Save changes and Exit

After having modified the AMIBIOS Setup, you can save the configuration in CMOS RAM, by selecting this option. After the information is saved, the computer is automatically rebooted. This option will not change the default values saved in Boot-Block Flash.

Do not save changes and Exit

This option is used to exit AMIBIOS Setup without saving the configuration to CMOS RAM.

Continue

To return to the main menu without saving or exiting, select this option.

☞ **To save changes and write the new configuration to CMOS RAM, select the "Save changes and Exit" option from the EXIT SETUP window.**

The four windows of the main menu, will now be described in the remainder of this section.

10.02.4 SETUP WINDOW

This section describes the six options of the Setup Window. These are:

- **Standard Setup:** offers the options to set the time, date, hard disk parameters, and floppy drives.
- **Advanced Setup:** handles options and features such as key repetition settings, boot sequence, NUM LOCK and password checking, shadowing, ...
- **Chipset Setup:** sets chipset-specific options and features.
- **Power Management Setup:** sets power conservation options.
- **PnP Setup:** sets the Plug and Play related options.
- **Peripheral Setup:** sets I/O controller-related options.

STANDARD SETUP

This part of the setup allows you to set the time, date, hard disk type, types of floppy drives, monitor type, and whether the keyboard is installed.

The Standard Setup screen displays seven icons as follows:

Pri Master Sec Master
Pri Slave Sec Slave

These four hard disk drive icons are for configuring hard disks connected to the VIPer809 or to a peripheral board. Select the appropriate hard disk drive icon (Pri Master = C: drive).

For each hard disk, these options can be defined: TYPE, LBA/LARGE MODE, BLOCK MODE, 32BIT MODE and PIO MODE. TYPE and PIO MODE can be Auto detected if the hard disk drive is an IDE drive: the Auto option automatically finds all of the IDE drive parameters for that hard disk. You should check your hard disk data sheets to know if any of the other options - LBA/LARGE MODE, BLOCK MODE and 32BIT MODE - should be set to ON; if your hard disk supports these modes, enabling them will optimize your system.

☞ **It is possible that the parameters provided by Auto detection do not match the ones found in your drive's literature. This should not be considered an error. As a matter of fact, different combinations of heads, cylinders and sectors that match the disk's size will work when formatting an IDE hard drive. But if the disk is already formatted, it is not possible to use different parameters than the ones that were used when the drive was originally formatted.**

Date/Time

The current values for each category are displayed. To change the date or time, highlight the values you want to change, and press the + or - key or click the + or - box, until the desired value is displayed.

Floppy A

Floppy B

The settings are: 360KB 5¼ inch, 1.2MB 5¼ inch, 720KB 3½ inch, 1.44MB 3½ inch, 2.88MB 3½ inch, or not installed.

ADVANCED SETUP, CHIPSET SETUP, POWER MANAGEMENT SETUP, PNP SETUP & PERIPHERAL SETUP

The Advanced Setup, Chipset Setup, Power Management Setup and Peripheral Setup are described in the following pages with both Fail-Safe Defaults and Optimal Defaults values.

Whenever you are not sure about a certain setting, you may refer to the list of default values. The list of defaults is provided in the event that a value has been changed and one wishes to set this option to its original value. Loading the Optimal or Fail-Safe defaults will affect all the options and will reset options previously altered.

The Fail-Safe default settings consist of the safest set of parameters. Use them if the system is behaving erratically. They should always work but do not provide optimal system performance.

The Optimal default values provide optimum performance settings for all devices and system features.

These default values have been provided to give control over the system. However, the values for these options should be changed only if the user has a full understanding of the timing relationships involved.

TABLE 10-1: Advanced Setup

Option	Fail-safe Defaults	Optimal Defaults	Possible Settings	Description
Quick Boot	Disabled	Enabled	Enabled, Disabled	This option allows AMIBIOS to boot faster than usual (from power on to adaptor ROM initialization in less than five seconds). It also supports the Instant On features as specified in the Intel power management specifications. When Quick Boot is enabled, AMIBIOS does not test memory above 1MB and does not wait up to 40 seconds for a READY signal from the IDE hard drive (as a result, AMIBIOS does not configure that drive if a READY signal is not received immediately).
Boot Up Sequence	C:, A:, CDROM	C:, A:, CDROM	C:, A:, CDROM A:, C:, CDROM CDROM, C:, A:	This option specifies the boot sequence for drive A:, C:, CDROM after AMIBIOS POST completes and attempts to boot DOS. When booting from the CDROM drive, the CDROM behaves like drive A: if it has a floppy boot image. The CDROM drive now becomes drive A: and the first floppy drive becomes drive B:. On the other hand, the CDROM behaves like a hard drive if the CDROM has a hard disk boot image. The CDROM drive now becomes drive C: and all other hard drives are shifted one letter (the hard disk drive becomes drive D:).
Boot CPU Speed	Low	High	Low, High	This option sets the speed at which the system boots.
Boot Up Num-Lock	On	On	On, Off	If this option is set to Off, the NUM LOCK key on the keyboard is turned off when the system is powered on; you can use the →, ←, ↑, ↓ keys on both the numeric keypad and the keyboard.
Floppy Drive Swap	Disabled	Disabled	Enabled, Disabled	By enabling this option, floppy drive A: becomes drive B:, and drive B: (if present) becomes drive A:. Thus you are allowed to boot from drive B:.
Floppy Drive Seek	Enabled	Disabled	Enabled, Disabled	This option, when enabled, specifies that a SEEK instruction will be performed on the floppy drive A: at system boot time.
Mouse Support	Disabled	Enabled	Enabled, Disabled	When enabled, this option specifies that a PS/2 mouse is supported.
Typematic Rate	Fast	Fast	Slow, Fast	This option sets the rate at which characters displayed on the screen repeat, when a key is pressed and held down.
System Keyboard	Present	Present	Present, Absent	Specifies whether a keyboard is attached to the system.
Primary Display	VGA/EGA	VGA/EGA	VGA/EGA, CGA 40x25, CGA 80x25, MONO	This option specifies the type of display adapter card installed in the system.
Password Check	Setup	Setup	Always, Setup	This option enables a password check every time the system boots or if AMIBIOS Setup is executed. If always is chosen, a user password prompt appears every time the computer is turned on. If Setup is chosen, the password prompt appears if AMIBIOS is executed. The password feature is disabled by default but can be enabled by using the SUPERVISOR and USER options (SECURITY window) for the first time.
Parity Check	Disabled	Disabled	Enabled, Disabled	This option enables or disables parity error checking for system memory (DRAM).
OS/2 Compatible Mode	Disabled	Disabled	Enabled, Disabled	When there is more than 16MB system memory and you wish to boot with OS2 operating system, you must set this option to Enabled.
Wait for "F1" If Error	Disabled	Disabled	Enabled, Disabled	When this option is Enabled, a failure during boot-up automatically displays an error with the message "RUN SETUP UTILITY Press F1 to RESUME"; pressing the F1 key runs the AMIBIOS Setup Program, so that the Setup can be updated.
Hit "DEL" Message Display	Enabled	Enabled	Enabled, Disabled	Disabling this option prevents the "Hit if you want to run Setup" message from appearing when the system boots.
Internal Cache	Disabled	WriteThru or Write Back (CPU dependant)	WriteThru, WriteBack (only available if supported by the CPU), Disabled	This option enables or disables the CPU Internal Cache Memory. WriteBack Cache provides better performance than WriteThru Cache. Some CPUs support only WriteThru Cache, while others support WriteBack and WriteThru Cache.
Video Shadow C000, 32K	Enabled	Enabled	Enabled, Disabled	When this option is set to Enabled, the video BIOS ROM area at the specified address is copied (shadowed) from ROM to RAM for faster execution.
Shadow C800, 16K	Disabled	Enabled	Enabled, Disabled	<p>These options enable shadowing of the contents of the ROM area beginning at the address named in the option title. For example, the C800, 16K SHADOW option enables shadowing of the contents of ROM from C8000h-CBFFFh to RAM.</p> <p>Not all BIOS can be shadowed. In some cases, it can result in erratic operation. For example, if the expansion board has built-in "scratchpad memory", which is used internally, shadowing may cause unpredictable results.</p>
Shadow CC00, 16K	Disabled	Disabled	Enabled, Disabled	
Shadow D000, 16K	Disabled	Enabled	Enabled, Disabled	
Shadow D400, 16K	Disabled	Enabled	Enabled, Disabled	
Shadow D800, 16K	Disabled	Enabled	Enabled, Disabled	
Shadow DC00, 16K	Disabled	Disabled	Enabled, Disabled	
Shadow E000, 16K	Disabled	Enabled	Enabled, Disabled	

TABLE 10-2: Chipset Setup

Option	Fail-safe Defaults	Optimal Defaults	Possible Settings	Description
DRAM Wait State	2 wait	1 wait	1 wait, 2 wait	This option allows the selection of a wait state for DRAM reads and writes.
SYSCLK Divisor Select	Auto	Auto	Auto, CLOCK2IN/2, CLOCK2IN/3, CLOCK2IN/4, CLOCK2IN/5, CLOCK2IN/6, CLOCK2IN/8	Sets the speed of the ISA bus clock (SYSCLK) signal, which must be set to approximately 8MHz. The appropriate divisor depends on the CPU external bus speed.
AT Ready Delay Selects	2HS1XCLK	No Delay	No Delay, 1HS1XCLK, 2HS1XCLK	Sets the number of SYSCLK wait states to add, after a ready is received on the AT bus.
Back to Back I/O Delay	3 SYSCLK	0 SYSCLK	0 SYSCLK, 1 SYSCLK, 2 SYSCLK, 3 SYSCLK	Sets the delay, in terms of ISA bus clock, between consecutive ISA bus I/O cycles. This option is used for older ISA devices which require longer delays between consecutive I/O cycles. Due to the higher speed of new processors, it may be necessary to add the Back to Back I/O Delay for these older adaptor card.
ISA Refresh	Disabled	Disabled	Enabled, Disabled	This option enables the refresh cycle on the ISA bus. Some ISA peripheral boards use the ISA Refresh signal (for example, bus mouse).
Turbo IDE Function	Disabled	Enabled	Enabled, Disabled	This option enables the Local Bus IDE.
Turbo IDE Command Width	9HS1XCLK	9HS1XCLK	2HS1XCLK, 3HS1XCLK, 4HS1XCLK, 5HS1XCLK, 6HS1XCLK, 7HS1XCLK 8HS1XCLK, 9HS1XCLK	Sets the pulse width of read and write accesses from and to the hard disk. HS1XCLK is the same speed as the CPU bus clock. The minimum required pulse width varies from drive to drive. Consult your hard disk specifications for minimum pulse width.
Turbo IDE Back to Back Delay	16HS1XCL	16HS1XCL	2HS1XCLK, 4HS1XCLK, 6HS1XCLK, 8HS1XCLK, 10HS1XCLK, 12HS1XCLK 14HS1XCLK, 16HS1XCLK	Sets the delay between hard disk accesses. HS1XCLK is the same speed as the bus clock. The minimum required delay varies from drive to drive. Consult your hard disk specifications for minimum delay.

TABLE 10-3: Power Management

Option	Fail-safe Defaults	Optimal Defaults	Possible Settings	Description
Power Management /APM	Disabled	Disabled	Enabled, Disabled	When Enabled, activates power saving modes: DOZE, SLEEP and SUSPEND.
DOZE Mode Time Out	Disabled	4 sec.	Disabled, 1, 4, 8. and 16 sec.	This option sets the time-out period to enter into Doze Mode when inactivity is detected.
SLEEP Mode Time Out	Disabled	1 min.	Disabled, 1, 2, 4, 6, 8, 12, and 16 min.	This option sets the time-out period to enter into Sleep Mode from Doze Mode.
Hard Disk Time Out	Disabled	Disabled	Disabled, 1, 2, 3, 4, 5, 6, 7 min.	This option enables a non-activity timeout, after which the hard disk is put into Standby mode. Note that once the hard disk has entered Standby mode, the next hard disk access will take a few extra seconds to occur.
Video Standby Time Out	Disabled	Disabled	Disabled, 5, 10, 15 30, 45, 60, 90 sec.	This option enables a non-activity timeout, after which a video display is put into Standby mode. Any subsequent detected activity will reenables the display.
SUSPEND Time Out	Disabled	5 min.	Disabled, 5, 10, 15 20, 30, 40 and 60 min.	This option sets the time-out period to enter into Suspend Mode from Sleep Mode.
Resume with Modem Ring	Disabled	Disabled	Disabled, 1, 2 and 4 Rings	Enables and specifies the number of modem rings required to re-activate the CPU when in Suspend Mode
Suspend Warning Beeps	Enabled	Enabled	Enabled, Disabled	When Enabled, warning beeps will be sounded before entering Suspend Mode.

TABLE 10-4: PnP Setup

Option	Fail-safe Defaults	Optimal Defaults	Possible Settings	Description
Plug and Play Aware O/S	Yes	Yes	Yes, No	This option allows AMIBIOS to know if the operating system installed in the computer is Plug and Play-aware.
IRQ3	PnP	PnP	PnP, ISA/EISA	This option indicates which the bus is used by the IRQ and allows you to specify IRQs for use by legacy ISA adapter cards. To remove IRQs from the pool of available IRQs passed to BIOS configurable devices, set this option to ISA/EISA.
IRQ4	PnP	PnP	PnP, ISA/EISA	
IRQ5	PnP	PnP	PnP, ISA/EISA	
IRQ7	PnP	PnP	PnP, ISA/EISA	
IRQ9	PnP	PnP	PnP, ISA/EISA	
IRQ10	PnP	PnP	PnP, ISA/EISA	
IRQ11	PnP	PnP	PnP, ISA/EISA	
IRQ14	PnP	PnP	PnP, ISA/EISA	
IRQ15	PnP	PnP	PnP, ISA/EISA	
Reserved Memory Size	Disabled	Disabled	Disabled, 16K, 32K, 64K	This option sets the size of the memory area reserved for legacy ISA adapter cards (this area cannot be used by PnP ISA adapter cards).
Reserved Memory Address	C8000	C8000	C0000, C4000, C8000, CC000, D0000, D4000, D8000, DC000	This option indicates the beginning address (in hex) of the reserved memory area. This memory area (part of ROM memory) is reserved for use by legacy ISA adapter cards.

TABLE 10-5: Peripheral Setup

Option	Fail-safe Defaults	Optimal Defaults	Possible Settings	Description
OnBoard IDE	Primary	Primary	Primary, Secondary, Disabled	This option enables the use of the onboard IDE Controller.
OnBoard FDC	Enabled	Auto	Enabled, Disabled, Auto	This option enables the use of the onboard Floppy Drive Controller.
OnBoard Serial Port 1	3F8h	Auto	Auto, Disabled, 3F8h, 2F8h, 3E8h, 2E8h (if one of these addresses is used by Serial Port 2, it is not available)	This option enables Serial Port 1.
OnBoard Serial Port 2	2F8h	Auto	Auto, Disabled, 3F8h, 2F8h, 3E8h, 2E8h (if one of these addresses is used by Serial Port 1, it is not available)	This option enables Serial Port 2.
OnBoard Parallel Port	378h	Auto	Auto, Disabled, 378h, 278h, 3BCh	This option enables the Parallel Port.
Parallel Port IRQ	7	Auto	Auto, IRQ5, IRQ7	This option defines which IRQ line is to be used for the Parallel Port.
Parallel Port Mode	Normal	ECP	Norma, Bi-Dir (bi-directional), EPP (Enhanced Parallel Port), ECP (Extended Capabilities Port)	This option specifies the Parallel Port Mode.
Parallel Port DMA Channel	None	Auto	Auto, None, 0, 1, 2, 3	This option defines which DMA channel will be used for the Parallel Port's ECP mode.

10.02.5 SECURITY WINDOW

When the Supervisor or User icon is selected from the Security window in the main menu, the user can enable the password feature or change the password itself. By default, the user can boot the system and enter the AMIBIOS Setup without any restrictions. Choosing a password for the first time will automatically enable the password feature. At the next bootup, the user will be prompted to enter his password on bootup or when he attempts to enter AMIBIOS Setup, depending on the setting of the PASSWORD CHECK option in the ADVANCED SETUP (see the PASSWORD CHECK option description for the available settings).

☞ **To disable the password, use this option: 1) At the prompt "Enter CURRENT Password", enter your password, 2) Then at the prompt "Enter NEW Password", press ENTER, 3) Then at the prompt "Confirm NEW Password", press ENTER, 4) The screen then displays "Password uninstalled". Make sure you select Save Changes and Exit from the EXIT SETUP window. If you forget your current password, the password feature can be disabled by removing jumper W22 for several minutes; however this will also clear the CMOS Setup, which will then be configured at the BIOS default values.**

SUPERVISOR

This option allows you to enable the main password of the supervisor user. You must set a supervisor password before attempting to set user passwords. If you disable this password, all user passwords will automatically be disabled as well.

USER

This option allows you to enable and disable a password for each user. A supervisor password must be set before attempting to set user passwords.

ANTI-VIRUS

This option allows you to enable and disable anti-virus protection for the hard disk boot sector.

10.02.6 UTILITY WINDOW

COLOR SET

If you select Color Set, it allows you to set up the background/foreground colors of the screen. The settings are: LCD, Army, Pastel, and Sky.

10.02.7 DEFAULT WINDOW

The Default window of the main menu has three options available for automatically reconfiguring the AMIBIOS Setup (the settings are loaded in the program and displayed in their respective fields, but they are not saved in CMOS):

- **Original:** This option allows you to reset all options to the values which were last saved in the CMOS Setup; it will be used to restore the values saved in CMOS, after a number of settings have been changed in the AMIBIOS Setup program.
- **Optimal:** This option allows you to load the Optimal Default values. These are common recommended values and should optimize system performance. This feature might be useful in instances where a quick reconfiguration is needed.
- **Fail-Safe:** This option allows you to load the Fail-Safe Default settings. These are worst-case values that are the most stable values that can be chosen. Use this option as a diagnostic aid if the system is behaving erratically.

10.03 UPDATING OR RESTORING BIOS IN BOOT-BLOCK FLASH

The Boot-Block Flash device contains a non-erasable boot-strap loader which can reprogram the device with a BIOS file from a floppy drive diskette.

Two methods exist for updating or restoring BIOS in Boot-Block Flash:

1. **UBIOS Utility:**

Any BIOS file can be copied to the Boot-Block Flash device using the UBIOS utility. Refer to Section 13 for instructions on using UBIOS.

2. **Emergency Mode:**

This method updates or restores all VIPer809 BIOS files using the W25 Emergency Boot Jumper, the SEQ256.BIN file and the CTRL-HOME keys. The procedure is explained below.

10.03.1 EMERGENCY MODE PROCEDURE

All VIPer809 BIOSes are stored in the file SEQ256.BIN for the Boot-Block Flash device. For the Main BIOS (AMIBIOS), only the default values are stored (fail-safe and optimal) in Boot-Block Flash; therefore if changes are made to the settings, these will not be saved in the Boot-Block Flash BIOS file.

If you need to update or restore the VIPer809 BIOS file SEQ256.BIN in the Boot-Block Flash, follow this procedure:

1. Turn off your computer system.
2. Short the W25 Emergency Boot jumper, to enable emergency boot.
3. Place diskette with SEQ256.BIN file in drive A. Make sure the SEQ256.BIN file is on the diskette.
4. Hold the CTRL and HOME keys simultaneously and power on your computer system. Release the CTRL-HOME keys after a few seconds.
5. After the three audible beeps, remove diskette from drive A. Boot-up will proceed. The Boot-Block Flash BIOS is now updated or restored.
6. On the next power down, remove the jumper on W25, to enable normal boot.

SECTION 11

VFLASH SOFTWARE

11.01 INTRODUCTION

VFLASH is TEKNOR's Flash EPROM transfer utility program for single board computers. Its main function is to download DOS files to the 2MB or 4MB Flash EPROM disk (U15 on solder side), also referred to as data Flash.

A Flash EPROM disk created with VFLASH is very much like a hard disk. A partition is created and data is stored in files, just like on a hard disk. The main difference between the two is that this Flash disk is a read-only drive. Therefore, in order to write software to this Flash disk, you must use the VFLASH Transfer Utility.

However, with the FLASH FILE SYSTEM II software from Microsoft, Flash EPROM disks are read/write and may be accessed via DOS commands (this utility is covered in Section 12).

This Section will describe how to use the VFLASH software utility.

11.01.1 VFLASH SOFTWARE OVERVIEW

Depending on your particular configuration, VFLASH can transfer information to the Flash disk in one of two methods:

1. If your VIPer809 is equipped with hard or floppy drives, then VFLASH downloads data directly on the board's Flash EPROM disk.
2. If your VIPer809 does not have floppy or hard disks, then VFLASH must be run from a remote computer which downloads data to the VIPer809 board via a serial link on COM1 or COM2. This mode is recognized in the BIOS extension as Download Mode and is enabled by installing jumper W23 (1-2) on the VIPer809; in this mode, the VIPer809 board waits for signals from the remote computer's VFLASH software.

The first screen of the VFLASH software allows you to choose between direct and serial downloading (the screen is explained in section 11.02 - OUTPUT SELECTION/FIRST SCREEN).

The next screen is where the address and size of the Flash partition to create are determined (explained in section 11.03 - OUTPUT SELECTION/SECOND SCREEN).

The next step is to select the files to be transferred to the Flash EPROM disk, in the FILE SELECTION screen (explained in section 11.04 - FILE SELECTION SCREEN).

The next screen is the LIST OF SELECTED FILES; here, the file listing can be verified and modified, duplicate files can be renamed or erased, and the Flash disk can be written (explained in section 11.05 - LIST OF SELECTED FILES).

Finally, the last screen is the TRANSFER STATUS OF ONBOARD FLASH PROGRAMMING or the TRANSFER STATUS OF EXTERNAL FLASH PROGRAMMING; this screen displays each of the transfer operations in progress (explained in section 11.06 - TRANSFER STATUS SCREENS).

The above sections explain how to run the program in interactive mode via menus, but it is also possible to run the program without menus by a command which specifies the selected options and files with parameters; this mode is called batch mode (explained in section 11.07 - BATCH MODE).

11.01.2 TYPES OF FLASH EPROM DISKS

With VFLASH, you can create two types of Flash EPROM disks:

1 - Bootable Flash Disk:

This type of Flash EPROM disk must start from the first block and is recognized by the BIOS. Like a hard disk, an active Flash EPROM disk can boot your system. A typical system setup would contain a CONFIG.SYS file to start device drivers, an AUTOEXEC.BAT file to start your software, plus all driver files required (e.g., EMM386.EXE, a MOUSE driver, etc).

To boot from Flash EPROM three conditions must be met:

- You must have the optional 2MB or 4MB Flash EPROM installed at U15.
- The bootable Flash EPROM partition must start from the first block.
- The Flash disk must be configured in the VIP-UP Setup as the C: drive (section 10.01).

2 - Non-bootable Flash Disk:

Unlike bootable Flash disks which must begin at the first Flash block, non-bootable disks can begin anywhere.

11.01.3 VFLASH REQUIREMENTS

VFLASH is designed to operate in an IBM compatible environment.

The MS-DOS operating system has been successfully tested with VFLASH; MS-DOS compatible operating systems such as DR-DOS and PC-DOS should therefore support VFLASH. Operating systems such as QNX and OS-9000 are not supported by VFLASH (other utility programs are available for such operating systems; please contact our Technical Support department for more information).

If you intend to directly program Flash device on the VIPer809, VFLASH must be running on board.

If you need a remote computer to program Flash device on the VIPer809 (host), then the board must be in Download Mode and VFLASH must be running on the remote computer. A serial cable must be connected between the COM1 or COM2 ports, in the same way as in VT100 mode (the remote computer is cabled like a VT100 terminal, see Section 14 - VT100 MODE).

☞ **To properly run VFLASH, you need at least 1 floppy drive, 1MB of DRAM, MS-DOS® or PC-DOS (version 2 or greater) or DR-DOS (version 3. 41 or greater).**

11.02 OUTPUT SELECTION/FIRST SCREEN

To run VFLASH, simply type "VFLASH" at the DOS prompt and press ENTER.

The first OUTPUT SELECTION FOR THE TRANSFER screen appears with the following options:

On board Flash devices.

External Flash devices via serial link.

Quit VFLASH and return to DOS.

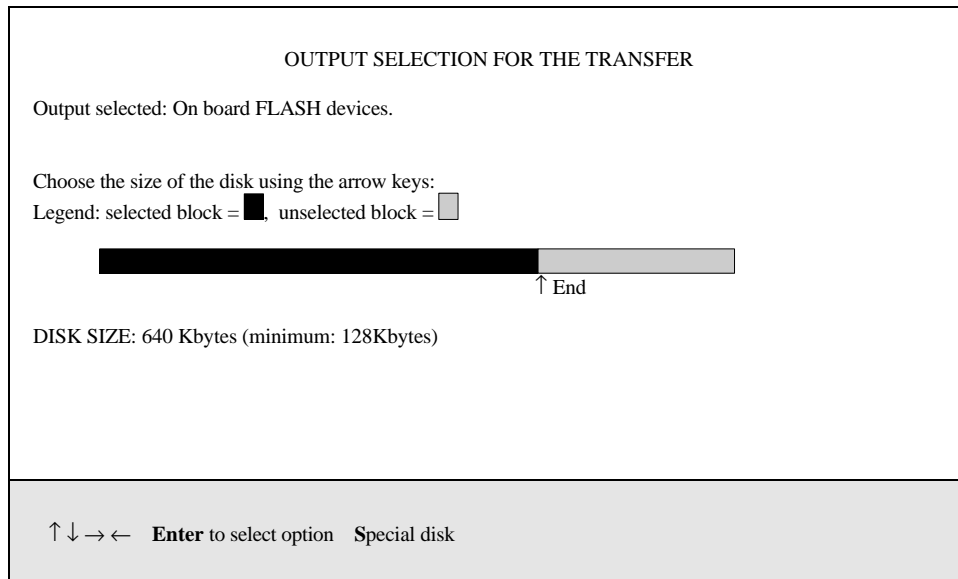
Use the ↑ and ↓ keys to highlight the option and then press ENTER to select.

On board Flash Devices: Use this option when VFLASH is run on a board, with Flash EPROM to be programmed directly on the board.

External Flash Devices via a Serial Link: Use this option when VFLASH is run from a remote computer, or when your VIPer809 has no floppy or hard disks, or simply because the data to transfer is on a different computer than the VIPer809 and Flash EPROM disk. The transfer takes place via a serial link on COM1 (3F8H) or COM2 (2F8H), from the remote computer to the VIPer809.

11.03 OUTPUT SELECTION/SECOND SCREEN

Once onboard or external Flash is selected, a second screen appears as follows.



On the first line, the output selected will be displayed ("On board FLASH devices" or "External FLASH devices via serial link").

The rest of the screen allows you to divide or partition the Flash disk according to your needs. The default disk always starts at the beginning of the Flash space and the size is all Flash selected. Therefore, a full bar will be displayed below the legend.

Directly below the bar is an END pointer. It shows where the Flash partition ends. The next line shows physical parameters such as the DISK SIZE of selected blocks. It also shows the minimal partition size you have available. The minimal disk size can be altered by the /G:x option (for details on this option, please refer to Section 11.07 - BATCH MODE).

To set the size of the disk, move the END pointer with the horizontal keys.

11.04 FILE SELECTION SCREEN

Once you have selected the output, the following information is displayed on screen:

Selected files (max 240):0;		Free Space to copy: 522240 bytes	
DRIVE A: COMPLETE COPY DRIVE B: COMPLETE COPY DRIVE C: DRIVE E: DOS <DIR> QAPLUS <DIR> TEMP <DIR> TP <DIR> VENTURA <DIR> ATTR2 PAS 569 1-04-91 9:32 AUTOEXEC BAT 74 2-14-91 16:12 BOOTDIR PAS 6508 3-03-91 13:31 COMMAND COM 25308 2-02-91 12:25 CONFIG SYS 128 1-01-91 14:42		DRIVE A: TO CHOOSE FILES DRIVE B: TO CHOOSE FILES DRIVE D: BIOS 700 <DIR> PCAD <DIR> SKEY <DIR> TEST <DIR> TYPESET <DIR> WIN <DIR> AUTOEXEC BAK 59 2-14-91 16:11 BOOT_DIR PAS 158 1-25-91 16:58 CHOIXMED PAS 19797 3-06-91 1:11 COMMANDE PAS 6110 2-21-91 15:57 CONFIG SYS 128 1-23-91 17:45	
21 Files, D:*.*			
(Tag Untag New dir) or Enter Block Make bootable Done Esc to quit ↑ ↓ → ← Home PgUp PgDn Volume label			

This menu allows the user to choose the files that will eventually make up the Flash disk. Files can be chosen from the various drives on the system.

The top line in this menu gives size information about the Flash partition. **SELECTED FILES** indicates how many files have been chosen up to this point. **FREE SPACE TO COPY** indicates the available Flash space found, minus the space used up by the selected files.

The largest block of information (center screen) is the **FILE AREA**. It lists the files in the current directory.

Highlighted files are those selected (with the **TAG** command) for copying to Flash devices.

Entries marked with a "<DIR>" extension indicate a subdirectory. When you select a subdirectory, the first two entries are displayed as ". <DIR>" and ". . <DIR>". As with DOS, "." refers to the actual directory and ". ." to the parent directory. Thus, if you do a "Newdir" command on the ". . <DIR>", you will return to the previous directory.

Entries marked as "Drive A:" or "Drive B:" allow you to change drives/directories or to select files. "DRIVE A/B: TO CHOOSE FILES" is used to select files. "DRIVE A/B: COMPLETE COPY" is used to make an exact copy of a floppy disk to Flash. This last function resembles a DOS DISKCOPY command. When this mode of transfer is chosen, no other files can be sent along with the diskette files. Note that you cannot use a write-protected floppy disk to create a bootable Flash disk.

The bottom of the screen is dedicated to the MESSAGE AREA and MENU COMMANDS.

The MESSAGE AREA gives indications and warnings with respect to file selection operations.

The MENU COMMANDS begin with a highlighted letter or identifier which indicates the key to press in order to execute the desired function. The following commands are available:

TAG: Use this function to select a file from the above file list. Simply move the cursor over the desired field and press T on your keyboard. The file will then be highlighted - indicating it was selected. If you press T again, you deselect the file.

UNTAG: This function is used to deselect a chosen file from the above list of files. To use this function, simply move the cursor over the desired file and press U.

BLOCK: This function is used to mark a group of files for selection or deselection. Move the cursor to the beginning of the first file you wish to select and press on the B key (a ">" symbol will be displayed after "Block" in the command area to remind you that a block has been entered). Then, move the cursor to the last file of the group and press B again (a "<" will appear next to the ">" indicating that a block definition is now complete). The block of outlined files are now ready to be "Tagged" or "Untagged".

MAKE BOOTABLE: Choose this function to move files you wish to make bootable into the FILE SELECTION area (to appear in the LIST OF SELECTED FILES screen). The system will then prompt you for the drive which contains the system files (Note that the source should not be a Flash disk, since these are read-only and write protected). Once the selected files are found, the "Make Bootable" command will be changed to "BOOTABLE DISK". This confirms that the Flash disk will be bootable.

NEWDIR: This function lets you enter or exit a drive or directory. To change directories, place the cursor at the desired entry and press N. The listing will automatically change to the new directory's content.

ENTER: Press ENTER to either tag, untag, or change directory. When the cursor is on a directory, ENTER is equivalent to "Newdir". When the cursor is on a file, pressing ENTER will tag/untag it.

DONE: Use this function when the file selection is terminated. Press D and the next screen will appear (LIST OF SELECTED FILES).

ESC: Press the ESC key to abort VFLASH without modifying any information in the Flash devices. The system will prompt you before exiting to DOS.

VOLUME LABEL: Use this function to include a disk volume label for the Flash EPROM disk. Simply press V on your keyboard to bring the message into the following format:

```
Volume is xxxxxxxxxxxx
Volume label (11 characters, ENTER for none)?
```

The same operating system limitations on volume label names apply.

The cursor can be moved within the FILE SELECTION screen by using the ↑, ↓, →, ←, PAGE UP, PAGE DOWN and HOME keys.

11.05 LIST OF SELECTED FILES SCREEN

The LIST OF SELECTED FILES screen shows you the list of files that the Flash disk will contain.

LIST OF SELECTED FILES			
Disk volume label: xxxxxxxxxxxx			
AFIRST.ASM	AFIRST.BAK	AFIRST.OBJ	ASECOND.ASM
ASECOND.BAK	ASECOND.OBJ	ATTR2.PAS	BOOTDIR.BAK
BOOTDIR.BAK	BOOTDIR.PAS	COMM.ASM	COMM.BAK
COMM.OBJ	COMMANDE.PAS	COPYXB.BAK	COMMBAK.BAK
COPYXAC.BAK	COPYXAC.BAK	COMMBAK.ASM	ECRANSFX.DOC
Program Change Selection ↑ ↓ PgUp PgDn Home		Esc to quit	

The list of previously selected files appears in the center of the screen.

You can browse through the list by using the ↑, ↓, PAGE UP, PAGE DOWN and HOME keys.

The following commands are also available:

CHANGE SELECTION: This option allows you to return to the FILE SELECTION screen by pressing C.

PROGRAM: Press P to enter the Programming (TRANSFER STATUS ...) screen. This will begin programming the Flash devices - according to the transfer mode selected (on board or external Flash).

ESC: This allows you to abort VFLASH and exit to DOS without modifying the contents of the Flash devices.

If duplicate files are found, the DUPLICATE FILES MENU section appears below the list of selected files. This section will appear only if two or more files with the same name are found. When this occurs, a menu will automatically appear in the bottom section to solve the conflict:

LIST OF SELECTED FILES			
Disk volume label: xxxxxxxxxxxx			
AFIRST.ASM	AFIRST.BAK	AFIRST.OBJ	ASECOND.ASM
ASECOND.BAK	ASECOND.OBJ	ATTR2.PAS	BOOTDIR.BAK
BOOTDIR.BAK	BOOTDIR.PAS	COMM.ASM	COMM.BAK
COMM.OBJ	COMMANDE.PAS	COPYXB.BAK	COMMBAK.BAK
COPYXAC.BAK	COPYXAC.BAK	COMMBAK.ASM	ECRANSFX.DOC
----- DUPLICATE FILES MENU -----			
E:\BOOTDIR.BAK			
E:\TP\BOOTDIR.BAK			
1:Rename duplicate(s) (file.ext,file1.ext,etc)			
2:Rename or erase duplicate(s)			
3:Eraseremaining duplicates			
Esc to quit		Select list	

Make a selection by choosing the corresponding number:

1. Will force a rename by appending a numeral at the end of the filename.
2. Will erase or rename files manually.
3. Will erase all duplicates.

When the final selection has been made and the final listing is displayed, the Flash disk can then be written.

11.06 TRANSFER STATUS SCREENS

11.06.1 TRANSFER STATUS OF ONBOARD FLASH PROGRAMMING SCREEN

TRANSFER STATUS OF ONBOARD FLASH PROGRAMMING
Erasing of all Flash devices installed, please wait. . . Erasing nth device. . . Erase completed
Creating a bootable Flash disk
Transferring the BOOT sector, FAT and root DIR . . . Completed
Copying selected files. . . Transfer completed: XX. X%
Transferring: FILENAME
Transfer complete

This screen displays each of the transfer operations in progress:

1. First, the Flash devices are erased. This operation can take some time to complete. However, only the Flash devices of the actual disk to be programmed will be erased.
2. The base system information is then transferred. This is followed by the file data itself.
3. The transfer in progress is displayed by XX%, and the actual file being copied is also shown (unless a complete diskette copy is performed).

Restart the system if the disk is to be recognized by the TEKNOR BIOS extension. Although rebooting is not necessary if Flash disks were not created, it is a recommended procedure in all circumstances.

11.06.2 TRANSFER STATUS OF EXTERNAL FLASH PROGRAMMING SCREEN

When a serial link is used, the following screen will be displayed:

TRANSFER STATUS OF EXTERNAL FLASH PROGRAMMING
Erasing of all Flash devices installed, please wait. . . Erase completed
Creating a bootable Flash disk
Transferring the BOOT sector, FAT and root DIR. . . Completed
Copying selected files. . .
Transfer completed: XX. X%
Transferring: FILENAME
Elapsed time: Xmin XXsec
Transfer complete

The above screen is used to display the transfer operation status. It shows each step in progress:

1. The devices are erased (this may take some time).
2. The base system information is transferred, followed by the file data itself.
3. The data progress is displayed by XX% up to 100%. The actual file being sent is also shown (unless a complete diskette copy is performed). In addition, the elapsed time of the transfer is displayed.

If an error occurs during transfer, the system beeps twice to warn you.

To signal the end of a successful transfer, a single beep is heard.

☞ **The transfer operation can be time consuming in Serial Mode due to the serial transfer speed and protocol.**

4. When the transfer is 100% complete, the following message is displayed:

Do you want to Reset the receiving system?

This software command is made available to restart the receiving system by remote. In order for a new Flash disk to be recognized by the BIOS and DOS, the system must be rebooted.

The receiving system can be put in Download Mode by any of the following options:

1. Short Pins 1 and 2 on jumper W23. This forces Download Mode at boot up.
2. Download Mode is automatically enabled when VT100 Mode is activated by shorting Pins 3 and 4 on jumper W23. In this case, the communications port will recognize the Download Mode commands and activate it.

☞ **Reset is the only way to exit from Download Mode which is forced on at setup by the W23(1-2) jumper. If Download Mode was entered by recognition of the code sequence, you can simply exit Download Mode and continue processing.**

11.07 BATCH MODE

While files can be manually selected using the Interactive Mode, automatic transfers of a predefined area (a sub-directory or preferably a diskette) can be achieved through Batch Mode.

In Batch Mode, a user or field technician with no previous knowledge of the system can easily effect a transfer to the Flash disk. This can be done either by calling a batch file (*.bat) or by simply issuing the proper command line parameters directly from DOS.

When the transfer is complete, reset the system. This allows the BIOS and DOS to recognize the new Flash disk.

Keep in mind that Batch Mode can be called directly from a floppy or hard disk, from a remote computer, or from a portable computer. In each case, the selected files can be downloaded to the Flash devices.

Batch Mode returns error codes (error level) that can be read by a DOS batch file or by a high level language program.

11.07.1 BATCH MODE COMMAND LINE PARAMETERS

The command line format is as follows:

VFLASH [drive:] [\directory] [destination] [options]

where:

[drive:] is the source drive from which a complete copy will be made if no directory is specified (see section 11.04, for more information).

[\directory] is the path used to show from which directory the source files will be taken and transferred to the Flash or EPROM files. If you do not specify a directory (for example, VFLASH B:\), only the files in the root directory will be transferred to the Flash disk. Also, if the Flash disk is to be bootable, the /B option must be used.

Each option or switch starts with a '/' character followed by one or more letters. These letters are in uppercase and are used by VFLASH to identify a specific option.

A colon ':' and pound '#' character are also necessary parts of the switch. Lowercase letters represent a variable field that must be entered. Each switch may be separated by a space if you so choose.

The switches may be written in random order except for switches that are linked together. For example, a /S must be followed by either /#order or /sizeK, or both. Thus, a command line such as VFLASH B: /M /S/#2/128K is valid, however, VFLASH B: /S/M/#2/128K is not. The following list of options provides complete descriptions.

The first three options listed are not required to execute a disk. They can be used either in Interactive Mode or Batch Mode.

[options]

/G:group Specifies how many Flash blocks will be grouped together as a cluster. The Group Factor will set the smallest disk size available. Valid group values are defined as 1, 2, 4, 8, 16... and so on.

/M Instructs VFLASH to use a monochrome display pattern. This option is useful with LCDs, since it may be difficult to distinguish colors with such displays.

/VT100 This option allows a visual monitoring of the transfer operation in progress while in VT100 mode. Use this switch when you make an onboard Flash disk.

The following options identify disk or file parameters to be executed in BATCH mode.

/B/bootdrive:

Makes the disk bootable by transferring the bootable files from the 'bootdrive' specified. Note that the source should not be a Flash disk, since these are read-only and write protected.

/E Performs an external transfer by serial link to the remote system. This switch must be present in order to use any of the next three options (/RATE, /COM2 and /R).

/rate The value entered corresponds to the desired baud rate for transfer. Any one of the following can be used: 300, 1200, 2400, 9600, 19200, 38400. It is set at 19200 by default.

/COM2 This option instructs COM2 to be used instead of the default value COM1.

- /R** Instructs VFLASH to reset the VIPer809 upon completion of download operation. This is valid only in VT100 Mode. In Download Mode, the remote system is always reset.
- /S** Used to create a special disk or partition. This option precedes the starting device number option (**/#order**) or the disk size option (**/sizeK**), or both.
- /#order** Specifies the Flash block to be used as the starting point for a disk partition (default setting is #1).
- /sizeK** Specifies a special disk size, in KB, for the Flash disk. The default setting is the largest disk size following the designated starting disk, as selected in the **/#order** option).
- /V:volume label**
This switch specifies a volume label for the disk to be created. This option will report an invalid command line error if it is used while transferring a complete copy of a floppy disk. Since it is acceptable to have spaces in a volume label, do not place this switch before [drive:], [\directory] or [destination], since VFLASH would not be able to determine when the label ends and when these options begins.

To get a summary of the Batch Mode options from VFLASH, simply run VFLASH with the command line **/?** or **/HELP** (type **'VFLASH/?'** or **'VFLASH/HELP'**). Either command will display a Batch options summary and some examples of valid VFLASH command lines. The same help information will also be displayed each time VFLASH detects an error in the command line.

11.07.2 BATCH MODE ERROR CODES

The following error messages are returned by the VFLASH Batch Mode function. They can be detected with a DOS error level condition.

ERROR (HEX)	NUMBER (DECIMAL)	DESCRIPTION
0	0	No error.
1	1	Bad command line.
2	2	Invalid drive choice for recovering boot information.
3	3	Unable to establish communication (serial download mode only).
4	4	No Flash memory found (verify jumper).
5	5	Mixed memory types detected in Flash bank.
6	6	Unable to find system files on specified disk.
7	7	Specified output file already exists.
8	8	Error reading transfer source drive.
9	9	Insufficient data space or directory space to copy all desired files.
A	10	Bad checksum (problem with serial link).
B	11	Non Hex code received (problem with serial link).
C	12	Error transferring data. Unusable Flash drive.
D	13	No files to transfer in selected directory.
E	14	Unable to open a file to be copied.
F	15	Media not yet supported.
10	16	Communication or device error while transferring files. Unusable Flash drive.
11	17	Unable to read transfer source drive.
12	18	Insufficient Flash space to store files.
13	19	Unrecognized Flash device type.
14	20	Programming failure on devices.
15	21	Cannot select any file from actual Flash disk.
16	22	Unable to find sourcefiles.
17	23	Cannot specify starting device on remote system.
18	24	Cannot find starting Flash bank address.
19	25	Communication error while reading Flash bank content.
1A	26	External device cannot be erased properly.
1B	27	Unsupported serial download function.

ERROR (HEX)	NUMBER (DECIMAL)	DESCRIPTION
1C	28	Flash content does not verify with source.
1D	29	No device found in specified starting socket.
1E	30	Cannot create a Flash disk of specified size.
1F	31	Communication error when reading Flash identification code.
20	32	Cannot use 8086 or 8088 CPU with Flash memory.
21	33	No serial port or card attached for transfer.
22	34	/S switch not supported with this BIOS.
23	35	/G:group value on command line is invalid.
24	36	Insufficient Flash or EPROM space to include the volume label entry.
25	37	Cannot make EPROM with same [source] and [destination] path.
26	38	EPROM filename already exists.
27	39	EPROM filename path not found.
28	40	Selected drive for EPROM files not ready.
29	41	Invalid EPROM filename or disk error.
2A	42	Not enough disk space to copy EPROM files.
2B	43	Not enough memory for data buffer.
2C	44	Command line option "/TEKXXX" is invalid.
2D	45	486SLC internal registers are different from BIOS setup.
2E	46	The 486SLC cache is not disabled over the Flash device(s).
2F	47	Unable to erase the nth device.
30	48	No VIPer BIOS found.
31	49	The source diskette must be DOS Version 4 and up.
32	50	Flash ID command to BIOS or data Flash must be issued first.

SECTION 12

FLASH FILE SYSTEM II

With FLASH FILE SYSTEM II, a read/write MS-Flash partition can be created in the 2MB or 4MB Flash EPROM device (located at U35 on solder side). Such a partition can be accessed via the DOS commands.

Section 11 - VFLASH Software - explained how a read-only Flash partition is created with VFLASH and how data can be stored in files with the VFLASH Transfer Utility.

The 2MB or 4MB user or data Flash device can be configured in one of four ways:

- As one read-only partition, created by VFLASH created as a bootable or non-bootable disk. See Section 11 for more information.
- As one read/write MS-Flash partition created by FLASH FILE SYSTEM II.
- As a combination of the above two: one read-only VFLASH partition, followed by one MS-Flash read/write partition. The system will set up both as a different drive, with the MS-Flash disk always the last. For example, VIP-UP can set up the VFLASH disk as C:, other hard disks as D: and E:, while the MS-Flash disk, in this case, would automatically be set up as the next drive letter, that is F:. Another example could be only one hard disk, with the following setup: hard disk (C:), VFLASH disk (D:) and MS-Flash disk (E:).
- The fourth possible configuration is similar to the previous one except that space (one or more memory block) is left between the VFLASH disk and the MS-Flash disk. This non-partitioned space can be used by special applications to store data; this can only be done safely if you know the exact address of these memory blocks.

FLASH FILE SYSTEM II can be purchased from TEKNOR and is not part of the standard VIPer809 package and utilities.

The following sections explain how to create and format an MS-Flash partition with MEMCARD.EXE, and how to set up your partition in CONFIG.SYS.

12.01 SETTING UP CONFIG.SYS FOR FLASH FILE SYSTEM II

Two lines must be included in your CONFIG.SYS file in order to set up the MS-Flash partition and to install the Microsoft FLASH FILE SYSTEM on your computer.

The first line differs depending on whether the Flash device has a VFLASH partition or not:

- If there is only the one MS-Flash partition on the device, these two lines must be included in CONFIG.SYS:

```
device=FFS_VIP.EXE  
device=MS-FLASH.SYS
```

- If there is a VFLASH partition as well as an MS-Flash partition on the device, these two lines must be included in CONFIG.SYS:

```
device=FFS_VIP.EXE /start=X  
device=MS-FLASH.SYS
```

where X can be replaced by the appropriate number of blocks which must be skipped from the beginning of the device. For example, a user created a bootable disk using VFLASH in the first four blocks of the Flash device; the size of each block is 64 KB. This leaves the remaining 64 KB blocks for an MS-Flash partition which will begin at the fifth block. Therefore, the two lines to add in CONFIG.SYS are:

```
device=FFS_VIP.EXE /start=4  
device=MS-FLASH.SYS
```

By default, the system uses start=0, meaning no blocks are skipped and the MS-Flash partition begins at the first block. That is why the /start switch is not needed if there is one MS-Flash partition on the Flash device.

12.02 CREATING & FORMATTING AN MS-FLASH PARTITION

FLASH FILE SYSTEM II on the VIPer809 allows only one MS-Flash read/write partition on the data Flash device.

The MEMCARD software is used to create and format an MS-Flash partition. The program can be used in one of two ways, by:

- Running the program interactively and making selections in the menus, or
- Executing the command from the DOS prompt with switches to specify the drive letter and volume label of the drive you want to format, or to check the Flash device for errors.

Note: Prior to creating a new or expanded MS-Flash partition, you must erase any non MS-Flash section it will occupy. To do this, select option 5 - Erase entire memory card - in the MEMCARD program. This erases the whole partition that will be used by FLASH FILE SYSTEM, not the whole Flash disk. For example, if one had specified FFS_VIP /START=10 in CONFIG.SYS, only the 384 KB used by this partition would be erased.

12.02.1 USING MEMCARD MENU OPTIONS

To use the MEMCARD program with the menu options, follow these steps:

1. Type MEMCARD at the command prompt. The main menu appears as follows:

```
PC Memory Card Setup Program Version 2.00  
(C) 1991-1992 Microsoft Corporation
```

```
Memcard Options
```

```
Current memory card slot: 1 of 2 slots
```

```
Choose one of the following:
```

1. Create and format a new partition
2. Format an existing partition
3. Delete a partition
4. Display partition information
5. Erase entire memory card
6. Check memory card and fix errors
7. Select next memory card slot

```
Enter your choice. [4]
```

```
To quit Memcard, press ESC.
```

If your computer includes only one memory card slot, option 7 will not appear on the main menu.

To choose a menu option, type its number, and then press ENTER. When you choose menu options 1 through 6, another menu appears. To return to the main menu, press ESC. To quit MEMCARD, return to the main menu and press ESC.

2. To create and format an MS-Flash read/write partition, select 1 from the menu. A Create and Format a New Partition screen, such as the following, appears:

Current memory card slot: 1

Letter	Type	Status	Size
D	MS-Flash	Formatted	2048K

If the card already has one MS-Flash partition, the following message appears at the bottom of the screen:

This card has already been formatted.
Creating a partition will destroy all the data on the card.

Do you want to continue? (Y/N) [N]

Create a new partition only if you have backed up all the data that you want to save. To continue, type "Y", and press ENTER.

3. If the card is unformatted or has one large partition, the following message appears:

Do you want to use the entire card for MS-Flash? (Y/N) [Y]

To create and format one large partition, type "Y", and press ENTER; to create and format a partition that occupies only part of a memory card, type "N", and press ENTER.

4. This step is only if you are creating a partition that will occupy only part of the Flash device: Specify the size of the partition you want to create, and press ENTER. The minimum size depends on the amount of free space available on the memory card. The number that appears on your screen is the largest amount of available space.
5. Specify the number of spare blocks that MS-Flash should reserve for memory card cleanup, and press ENTER. The default is 1. Although reserving extra blocks may speed up the memory card slightly, you will not be able to use the reserved blocks for files. The default is recommended.
6. Specify a volume label for the partition, and press ENTER. If you do not want to specify a volume label, leave the field blank, and press ENTER.

12.02.2 USING MEMCARD DIRECTLY FROM THE COMMAND PROMPT

If you use switches with the MEMCARD command directly from the command prompt, you can format memory cards and check Flash memory cards for errors.

Syntax MEMCARD /FMT=*drive*: [/V=*label*]
MEMCARD /CHK=*drive*: [/F]

Parameters *drive*: Specifies the drive you want to format.

label Specifies the volume label.

Switches /FMT= Formats the memory card partition associated with the specified drive.

/V= Specifies a volume name for the newly formatted memory card.

/CHK= Checks the specified Flash memory card partition for errors and displays a status report. If no drive is specified, MEMCARD will check the current drive.

/F Fixes errors found on a Flash memory card. If this switch is not specified, the errors are displayed, but not fixed.

For example, you can assign an entire memory card to drive D and specify the volume label CARD1, if you type the following at the command prompt:

```
MEMCARD /FMT=D:/V=CARD1
```

Here's another example: You can check partition E for errors, fix any errors that are found, and display the status of the partition, if you type the following at the command prompt:

```
MEMCARD /CHK=E: /F
```

SECTION 13

UPDATING BIOS WITH UBIOS

UBIOS is a utility that allows you to take BIOS files from a disk and update the Flash BIOS EPROM with them. It also allows the reverse operation - to copy the contents of the Flash BIOS to files on disk.

Note: With the VIPer809, you must use version 2.22 or higher of UBIOS, since only these support the Boot Block Flash.

The program can be executed in one of two modes:

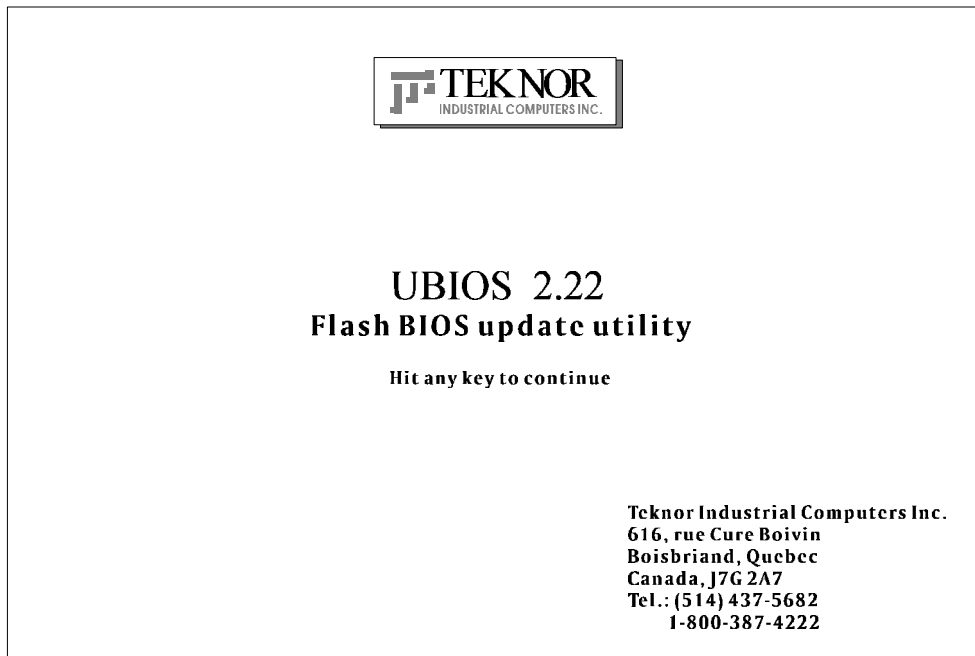
- **Interactive Mode:** In this mode, the program is menu-driven. This mode is explained in section 13.01.
- **Batch Mode:** It is also possible to run the program without menus by a command which specifies the selected options and files with parameters. This mode is explained in section 13.02.

Both the Interactive Mode and the Batch Mode are available in VT100 mode (Section 14). The small differences will be explained in the sections noted above.

Note: Using UBIOS to update the main BIOS (AMIBIOS) will clear the CMOS Setup in ROM. Therefore, it is recommended that you take note of your Setup parameters (especially Hard Disk parameters), so you can reset them afterwards.

13.01 UBIOS - INTERACTIVE MODE

To run the program in interactive mode, type "UBIOS" from the DOS prompt and the following screen will be displayed:



This is simply a presentation screen. Hit any key to continue and go to the main menu.

In VT100 mode, type "UBIOS /VT", leaving a space between "UBIOS" and "/VT".

If you have a monochrome monitor or a CGA monitor, type "UBIOS/low", for low resolution.

The presentation screen in low resolution or VT100 mode is different from the one appearing above, but it works the same way: hit a key to go to the main menu.

13.01.1 MAIN MENU

The main menu appears as follows:

```
UBIOS 2.2
Write Flash BIOS device          Retrieve a BIOS to a file
1-Update all BIOS                6-Copy all BIOS
2-Update VGA BIOS                7-Copy VGA BIOS
3-Update Teknor's BIOS extension 8-Copy Teknor's BIOS extension
4-Update SCSI BIOS              9-Copy SCSI BIOS
5-Update main BIOS              0-Copy main BIOS
```

Use the Up and Down arrow keys to select one option or type its option number then press Enter.

The main menu displays two types of functions:

- Update Functions: To copy a BIOS file stored on disk to the Flash BIOS EPROM.
- Copy Functions: To copy the contents of the Flash BIOS EPROM to files on disk.

All BIOS can be accessed individually using the appropriate files. Note that the different BIOS files have different extensions:

- All BIOS files can be merged in a single file which has a .BIN extension file.
- SVGA Flat Panel files have the .BFP extension.
- CRT files have the .VGA extension.
- TEKNOR's BIOS extension files have the .EXT extension.
- MAIN BIOS files have the .ROM extension.

13.01.2 UPDATE MENU

Update menu appears as follows:

UPDATE	
You are currently using :VGA version AAB :main BIOS version 0.60 :Teknor's extension version 0.60 Directory:F:\LOGICIEL\UBIOS\UBIOS210.NOT	
FILES	DOCUMENTATION
.. <DIR> B800_060.BIN B800_987.BIN B801_612.BIN	No documentation available

- UPDATE window displays the current BIOS files being used; it shows all types of BIOS, not just the one selected from the main menu. On the bottom of this window, the current directory is also displayed.
- FILES window displays the first fourteen files of the type selected in the main menu (All, VGA, TEKNOR or Main) in the current directory.
- DOCUMENTATION: If there is no BIOS file for the type you wish to update, this message appears in the DOCUMENTATION window: "No corresponding file in that directory". However, when a filename is displayed in the top window, the DOCUMENTATION window will show the content of a .DOC file, if it is available. This file is a standard text file that can be created with a standard text editor; it must have the same filename as the BIOS file and the extension .DOC. If no .DOC file is available, then this message appears in the DOCUMENTATION window: "No documentation available".

The path and name of the current directory will be displayed next to "Directory:" in the top window.

The FILES window displays the files of the selected type (.BIN, .BFP, .VGA, .EXT or .ROM). Follow these instructions for selecting a file in the FILE window of the UPDATE screen:

- Letter for a drive: By typing the desired drive letter, you can change the current drive.
- ↑↓ to change files\directory: Use the ↑ or ↓ key to travel through the files of the current directory. When a directory is selected (see <ENTER> to select below), then the ↑ or ↓ key is used to scroll up or down the file list. To move quickly to a directory, press the F2 key and type the first letter of the desired directory next to "Scan:" (displayed in the FILES window).
- <ENTER> to select: Press ENTER to select the highlighted directory or file. When "<Dir>" is displayed, pressing ENTER will bring you one level up to the parent directory. When a BIOS file is displayed, pressing ENTER will bring a pop-up message on the screen : "Do you really want to update: Flash BIOS, filename (Y/N)". If you type "Y", then the file will be used to update the Flash BIOS.

Aside from the ↑ or ↓ key, other keys can be used to travel through the FILES window of the current directory:

- HOME: This moves to the top of the current directory and displays the first fourteen files.
- END: This moves to the bottom of the current directory and displays the last fourteen files.
- PAGE UP: This moves up by fourteen in the current directory.
- PAGE DOWN: This moves down by fourteen in the current directory.

The above keys are displayed in a Help screen by pressing the F1 key.

After an update was made with a file of version 0.61 and up, the following message appears on the screen: "Do you want to reboot now (Y/N)". If you type "Y", the system reboots and the new configuration comes into effect; if you type "N", a message appears to inform you to reboot if you want the new configuration to become operational, then the program exits to the operating system prompt.

13.02 UBIOS - BATCH MODE

While files can be manually selected using the Interactive Mode, Flash BIOS Update or Copy can be achieved through Batch Mode.

13.02.1 BATCH MODE COMMAND LINE PARAMETERS

The command line format is as follows:

UBIOS -B [operation] [filetype] [filename] [options]

where:

[operation] is the Flash BIOS operation you wish to perform, and can be replaced with one of two letters: U for Update, or C for Copy.

[filetype] is the filetype of the BIOS file to program (with an update operation) or to create (with a copy operation), and can be replaced with one of the following:

ALL	for All BIOS files in a single file with the .BIN extension,
VGA	for VGA BIOS file with the .BFP or .VGA extension,
TEKNOR	for TEKNOR's BIOS extension with the .EXT extension,
MAIN	for Main BIOS with the .ROM extension.

[filename] is the name of the BIOS file to program (with an update operation) or to create (with a copy operation), and can be replaced with the filename which corresponds to the filetype. For example, if "VGA" was listed as filetype, then the filename could be "FLAT.BFP".

[options] these are optional parameters that may be added:

/C This option will no clear the CMOS Setup when updating main BIOS (AMIBIOS), however this is not recommended since the CMOS Setup should be updated when the main BIOS is changed.

/R Instructs UBIOS to reset the board upon completion of an operation.

/VT This option allows a visual monitoring of the Flash BIOS update/copy operation in VT100 mode.

To get a summary of the Batch Mode options from UBIOS, simply call UBIOS with the command line '?'. The command will display a Batch options summary of valid UBIOS command lines. The same help information will also be displayed each time UBIOS detects an error in the command line.

SECTION 14

VT100 MODE

The VIPer utilizes a feature known as VT100 Mode. This mode enables your single board computer to run without a local keyboard or screen. That is, operation can be controlled via a remote terminal supporting VT100 Mode or a computer with a terminal emulation program (for example, Telix, Procomm).

14.01 REQUIREMENTS

The terminal you are using should emulate a VT100 or ANSI terminal. Although this is not an absolute requirement, strange characters may appear on screen if it does not. This occurs because the VT100 recognizes these control characters, and causes them to perform a specific function, for example, screen erase, cursor position, and so on.

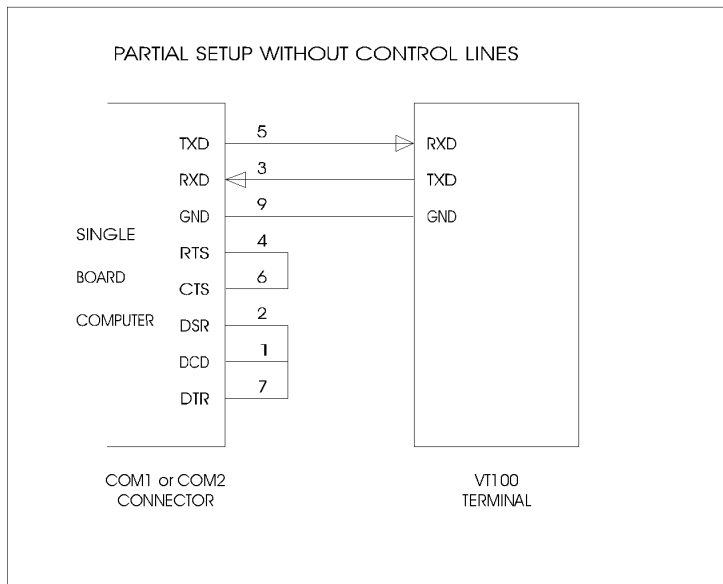
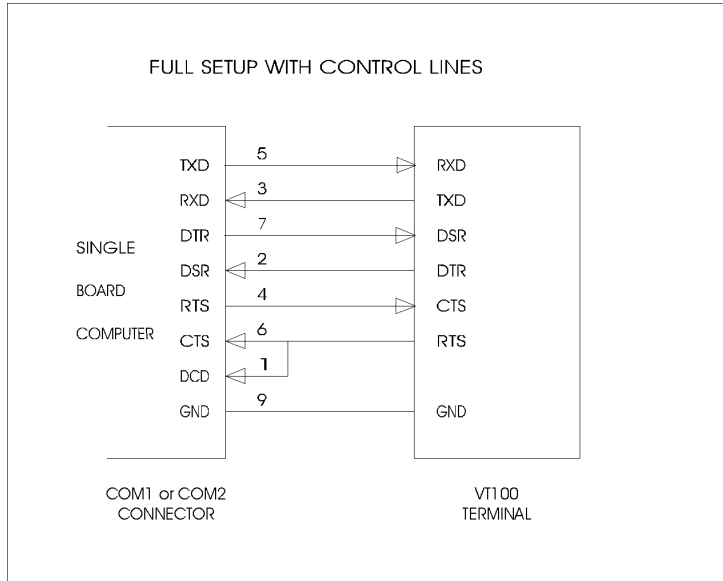
14.02 SETUP & CONFIGURATION

Follow these steps for setting up VT100 Mode:

- Power off your VIPer and install jumper W23(3-4) to enable VT100 Mode. Note: VT100 Mode runs on UART1 and UART2.
- Connect the communications cable as shown in Diagram 14-1. Note: If you do not require a full cable for your terminal, you can set up a partial cable by using only the TXD and RXD lines. The control lines can be ignored by looping them back as shown in Diagram 14-2.
- Power on your VIPer and run VIPer Setup by hitting the CTRL and V keys simultaneously, before or when you see the message "Press CTRL-V to enter TEKNOR VIP-UP" at the top of the screen. On the second screen, set the "VT100 & Serial Download Speed" at 19200 BPS or 9600 BPS.
- You must respect this protocol:
 - 8 Bits
 - No Parity
 - Echo Off.

If you are running a terminal emulation program, these parameters must be set in it.

DIAGRAM 14-1: VT100 Full Setup
DIAGRAM 14-2: VT100 Partial Setup



14.03 RUNNING WITHOUT A TERMINAL

The VIPer can boot up without a screen or terminal attached. However, if VT100 Mode is desired, but the terminal is to be disconnected, you must ensure the control lines are in an active state. Failing this, the system may "hang" while waiting for the control lines to become active. Wiring the system according to Diagram 14-2 allows the lines to remain active. This does not apply if the VT100 jumper is not set.

Furthermore, you can run without any console at all simply by not enabling VT100 Mode and by not installing a video card.

SECTION 15

DOWNLOAD MODE

Information can be downloaded to the Flash EPROM disk on the VIPer by running VFLASH on a remote computer and using a serial link. This is referred to as Download Mode and is enabled by installing jumper W23(1-2).

Refer to Section 11 for more information on running VFLASH in Download Mode.

APPENDICES

APPENDIX A: VPer809 SPECIFICATIONS

APPENDIX B: MEMORY & I/O MAPS

APPENDIX C: MECHANICAL LAYOUT & BLOCK DIAGRAM

APPENDIX D: CONNECTOR PINOUTS

APPENDIX E: RECOMMENDED DEVICES & MATING CONNECTORS

APPENDIX F: ERROR CODES

**APPENDIX A
VIPer809 SPECIFICATIONS**

A.01 SPECIFICATIONS

Operating Temperature: The maximum operating ambient temperature of the board is limited by the temperature of the CPU itself, as shown on Table A-1.

TABLE A-1: Maximum Operating Temperature (°C)

Processor	Heatsink	Frequency (MHz)	Airflow - feet / minute			
			0	200	400	600
Intel 486DX	Yes	33	50	65	71	74
Intel 486DX	No	33	38	46	52	59
Intel 486DX2	Yes	66	19	48	59	65
Intel 486DX2	No	66	-4	11	22	36
Intel 486DX4	Yes	100	35.5	57	65.5	70
Intel 486DX4	No	100	18.5	29	37.5	44
AMD 486DX2	Yes	66	61	73	77.8	80.2
AMD 486DX2	No	66	49	55	59.8	63.4
AMD 486DX4	Yes	100	49	67	74.2	77.8
AMD 5x86	Yes	133	54.3	69.6	75.8	78.9
AMD 5x86	No	133	37.4	46.6	52.7	57.3
SGS 486DX4	Yes	100	57	65	70	72
SGS 486DX4	No	100	47	57	62	65

Noncondensing Relative Humidity: 5% to 95%

Electrical: Conforms to the IEEE P996 PC/AT bus electrical specifications

Supply Voltage: + 5V \pm 5%
 \pm 12V \pm 5%

Supply Current:**TABLE A-2: Supply Current**

SUPPLY CURRENT*	Intel DX-33	Intel DX2-66	Intel DX4-100	AMD DX2-66	AMD DX4-100	AMD 5x86-133
ICC Typical (+5V)	1.6A	2.0A	2.2A	1.4A	1.8A	1.9A
DOZE Mode	n/a	1.0A	1.1A	0.9A	1.0A	1.0A
SLEEP Mode	n/a	0.9A	1.0A	0.8A	0.9A	0.9A
SUSPEND Mode	n/a	0.7A	0.7A	0.7A	0.7A	0.7A
IPP (+12V)	10mA	10mA	10mA	10mA	10mA	10mA
IPP (-12V)	5mA	5mA	5mA	5mA	5mA	5mA

* Measured with 4 MB System Memory, 2 MB Flash Memory, 1 MB Video Memory, SCSI II Interface and no CPU Fan.

Mechanical:

- Conforms to the IEEE P996 PC/AT bus mechanical specifications.
- 7.125 in. x 4.8 in. / 181mm x 122mm.

A.02 BATTERY

The VIPer809 comes with a 360mAh TL5186 TADIRAN battery. It powers the System Controller's Real Time Clock and CMOS Setup, whenever the board is powered down.

The TADIRAN TL5186 has a shelf life of approximately 10 years (under "no-load" conditions). The actual life of the battery depends on environmental (temperature) conditions. The TADIRAN TL5186 has an operating range of -55° to 75°C and discharge characteristics vary with temperature.

The voltage supplied by the battery is 3.6 volts. This can be verified with a standard voltmeter at the battery socket's two extreme pins (if you use the pin on the soldered side, you do not have to remove the battery).

The TADIRAN TL5186 is UL recognized. Its UL component recognition is MH12193.

Jumper W28 enables the Internal Battery's power. Removing the W28 jumper has the same effect as putting the battery in storage; TEKNOR always ships its board with battery jumper removed in order to increase the life of the battery.

An External Battery may be used. In such a case, pins 2 and 3 of jumper W28 should be shorted.

Please refer to Section 3 for jumper location and settings.

The VIPer809 board has a special feature that allows the CMOS RAM Setup to be saved in Flash EPROM memory. This feature eliminates battery dependence by saving and recovering the CMOS RAM Setup from Flash (only the time and date could be lost).

☞ **In order to save your current CMOS RAM Setup in Flash, you must update the VIP-UP Setup (with F10), while the "Use Flash To Store CMOS RAM SETUP" (first screen) is set to "Yes". See section 10.01 for more information.**

A.03 MTBF (MEAN TIME BETWEEN FAILURES)

The reliability analysis performed on the VIPer809 reflects all available options and has resulted in the predicted reliability shown in Table A-3a, Table A-3b and Table A-3c.

The MTBF is estimated using the prediction data from MIL-HDBK-217F, Reliability Prediction of Electronic Equipment (Dec. 1991).

The VIPer809 board is considered functioning in a Ground Fixed environment as defined in MIL-HDBK-217F. The calculations are performed at 20°C with a temperature rise of 10°C which is due to heat dissipated by active components.

It is assumed that only one failure at a time can occur and that the failure of any component will result in the system becoming inoperative or, as a minimum, resulting in a degraded mode of operation requiring repair. All components are considered as having an exponential distribution of time to failure, with a constant failure rate. A failure rate is attributed to each component called in the parts list, according to the stress levels it is submitted to during normal operation.

The components with the highest calculated failure rate in the VIPer809 reliability prediction are: the 486 CPU, the Sequoia chipset (PT86C718), the SVGA (CL-GD7548) and the chip set (PT86C768).

The quality factors for commercial components on the VIPer809 has been adjusted in order to represent the impact of burn-in. TEKNOR submits each processor board produced to a 12 hour burn-in at 40°C. The boards are powered during this phase to precipitate latent failures. It is well known that a burn-in performed under these conditions improves board and component quality. Since there is a correlation between quality and reliability, it is generally accepted in the industry to reflect this in the reliability prediction.

TABLE A-3a: Reliability Prediction VIPer809 (Options 1, 2, 3, 4, 5, 6)

Standard Configuration	CPU	MTBF (Hours)	Failure Rate (x10 ⁻⁶)
Option 1: Basic board	Intel 486DX2-33 5V	144454	6.9226
	Intel 486DX2-66 5V	128439	7.7858
	Intel 486DX4-100 3.3V	141238	7.0802
	AMD 486DX2-66 3.45V	165425	6.0451
	AMD 486DX4-100 3.45V	155034	6.4502
	AMD 5x86-133 3.45V	138263	7.2326
Option 2: Basic board plus 2MB Flash memory	Intel 486DX2-33 5V	141002	7.0921
	Intel 486DX2-66 5V	125702	7.9553
	Intel 486DX4-100 3.3V	137936	7.2497
	AMD 486DX2-66 3.45V	160913	6.2145
	AMD 486DX4-100 3.45V	151065	6.6197
	AMD 5x86-133 3.45V	135097	7.4021
Option 3: Basic board plus 4MB Flash memory	Intel 486DX2-33 5V	139861	7.1500
	Intel 486DX2-66 5V	124795	8.0132
	Intel 486DX4-100 3.3V	136844	7.3076
	AMD 486DX2-66 3.45V	159428	6.2724
	AMD 486DX4-100 3.45V	149755	6.6776
	AMD 5x86-133 3.45V	134049	7.4600
Option 4: Option 1 with 128KB SRAM	Intel 486DX2-33 5V	141149	7.0847
	Intel 486DX2-66 5V	125819	7.9479
	Intel 486DX4-100 3.3V	138076	7.2424
	AMD 486DX2-66 3.45V	161103	6.2072
	AMD 486DX4-100 3.45V	151232	6.6123
	AMD 5x86-133 3.45V	135231	7.3947
Option 5: Option 2 with with 128KB SRAM	Intel 486DX2-33 5V	137851	7.2542
	Intel 486DX2-66 5V	123192	8.1174
	Intel 486DX4-100 3.3V	134919	7.4119
	AMD 486DX2-66 3.45V	156821	6.3767
	AMD 486DX4-100 3.45V	147453	6.7818
	AMD 5x86-133 3.45V	132201	7.5642
Option 6: Option 3 with with 128KB SRAM	Intel 486DX2-33 5V	136760	7.3121
	Intel 486DX2-66 5V	122319	8.1753
	Intel 486DX4-100 3.3V	133873	7.4697
	AMD 486DX2-66 3.45V	155411	6.4346
	AMD 486DX4-100 3.45V	146205	6.8397
	AMD 5x86-133 3.45V	131197	7.6221

TABLE A-3b: Reliability Prediction VIPer809 (Options 7, 8, 9, 10, 11, 12)

Standard Configuration		CPU	MTBF (Hours)	Failure Rate (x10 ⁻⁶)
Option 7: Option 1 with 512KB SRAM		Intel 486DX2-33 5V	139030	7.1927
		Intel 486DX2-66 5V	124132	8.0559
		Intel 486DX4-100 3.3V	136048	7.3504
		AMD 486DX2-66 3.45V	158349	6.3152
		AMD 486DX4-100 3.45V	148803	6.7203
		AMD 5x86-133 3.45V	133285	7.5027
Option 8: Option 2 with 512KB SRAM		Intel 486DX2-33 5V	135829	7.3622
		Intel 486DX2-66 5V	121575	8.2254
		Intel 486DX4-100 3.3V	132982	7.5198
		AMD 486DX2-66 3.45V	154210	6.4847
		AMD 486DX4-100 3.45V	145142	6.8898
		AMD 5x86-133 3.45V	130341	7.6722
Option 9: Option 3 with 512KB SRAM		Intel 486DX2-33 5V	134770	7.4201
		Intel 486DX2-66 5V	120725	8.2833
		Intel 486DX4-100 3.3V	131966	7.5777
		AMD 486DX2-66 3.45V	152846	6.5425
		AMD 486DX4-100 3.45V	143933	6.9477
		AMD 5x86-133 3.45V	129365	7.7301
Option 10: Basic board with SCSI		Intel 486DX2-33 5V	131310	7.6156
		Intel 486DX2-66 5V	117942	8.4788
		Intel 486DX4-100 3.3V	128647	7.7732
		AMD 486DX2-66 3.45V	148412	6.7380
		AMD 486DX4-100 3.45V	139994	7.1432
		AMD 5x86-133 3.45V	126174	7.9256
Option 11: Basic board with SCSI plus 2MB Flash memory		Intel 486DX2-33 5V	128451	7.7850
		Intel 486DX2-66 5V	115630	8.6483
		Intel 486DX4-100 3.3V	125902	7.9427
		AMD 486DX2-66 3.45V	144770	6.9075
		AMD 486DX4-100 3.45V	136749	7.3126
		AMD 5x86-133 3.45V	123532	8.0951
Option 12: Basic board with SCSI plus 4MB Flash memory		Intel 486DX2-33 5V	127504	7.8429
		Intel 486DX2-66 5V	114862	8.7061
		Intel 486DX4-100 3.3V	124991	8.0006
		AMD 486DX2-66 3.45V	143567	6.9654
		AMD 486DX4-100 3.45V	135676	7.3705
		AMD 5x86-133 3.45V	122655	8.1529

TABLE A-3c: Reliability Prediction VIPer809 (Options 13, 14, 15, 16, 17, 18)

Standard Configuration	CPU	MTBF (Hours)	Failure Rate (x10 ⁻⁶)
Option 13: Option 10 with 128KB SRAM	Intel 486DX2-33 5V	128573	7.7777
	Intel 486DX2-66 5V	115729	8.6409
	Intel 486DX4-100 3.3V	126019	7.9353
	AMD 486DX2-66 3.45V	144924	6.9002
	AMD 486DX4-100 3.45V	136887	7.3053
	AMD 5x86-133 3.45V	123645	8.0877
Option 14: Option 11 with with 128KB SRAM	Intel 486DX2-33 5V	125831	7.9472
	Intel 486DX2-66 5V	113502	8.8104
	Intel 486DX4-100 3.3V	123383	8.1048
	AMD 486DX2-66 3.45V	141450	7.0696
	AMD 486DX4-100 3.45V	133783	7.4748
	AMD 5x86-133 3.45V	121107	8.2572
Option 15: Option 12 with with 128KB SRAM	Intel 486DX2-33 5V	124921	8.0051
	Intel 486DX2-66 5V	112762	8.8683
	Intel 486DX4-100 3.3V	122508	8.1627
	AMD 486DX2-66 3.45V	140301	7.1275
	AMD 486DX4-100 3.45V	132755	7.5327
	AMD 5x86-133 3.45V	120264	8.3151
Option 16: Option 10 with 512KB SRAM	Intel 486DX2-33 5V	126812	7.8857
	Intel 486DX2-66 5V	114300	8.7489
	Intel 486DX4-100 3.3V	124327	8.0433
	AMD 486DX2-66 3.45V	142692	7.0081
	AMD 486DX4-100 3.45V	134893	7.4133
	AMD 5x86-133 3.45V	122016	8.1957
Option 17: Option 11 with 512KB SRAM	Intel 486DX2-33 5V	124144	8.0552
	Intel 486DX2-66 5V	112128	8.9184
	Intel 486DX4-100 3.3V	121761	8.2128
	AMD 486DX2-66 3.45V	139322	7.1776
	AMD 486DX4-100 3.45V	131878	7.5828
	AMD 5x86-133 3.45V	119543	8.3652
Option 18: Option 12 with 512KB SRAM	Intel 486DX2-33 5V	123259	8.1130
	Intel 486DX2-66 5V	111405	8.9762
	Intel 486DX4-100 3.3V	120909	8.2707
	AMD 486DX2-66 3.45V	138208	7.2355
	AMD 486DX4-100 3.45V	130879	7.6406
	AMD 5x86-133 3.45V	118722	8.4230

A.04 MEETING INDUSTRY STANDARDS

TEKNOR Quality Standards insist that our products meet or exceed industry standards set by such respected agencies, organizations and associations as UL and CSA.

As a result, the VIPer809 has the following built-in features to help ensure that the conditions required for approval are met:

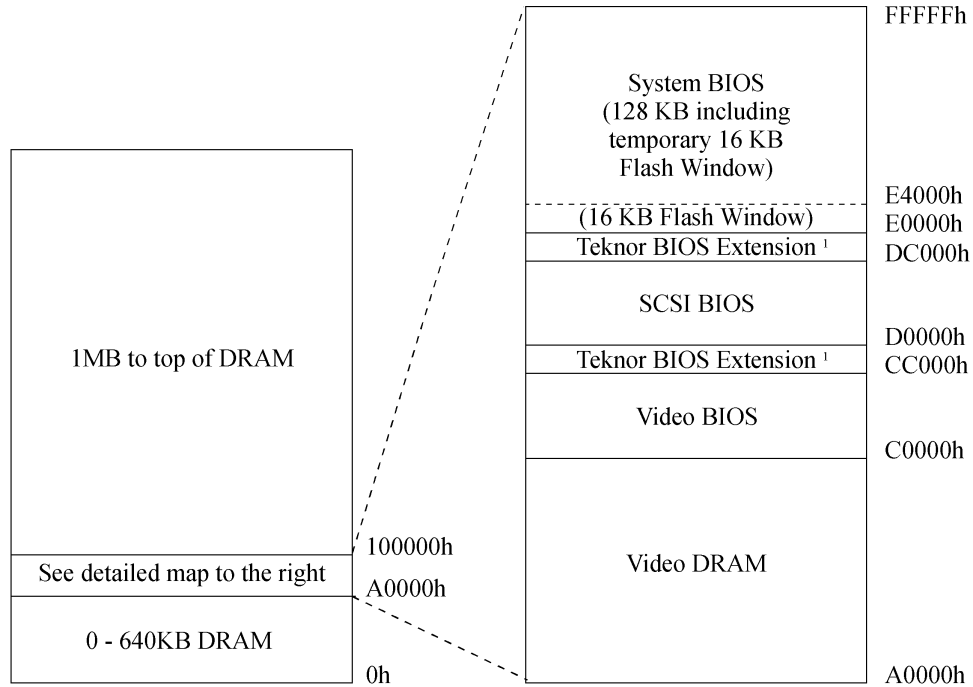
- A current block diode on the battery circuit,
- A current limiter resistor on the battery,
- A protection fuse on the keyboard controller.

TEKNOR computer cards are designed to meet industry standards for customers requiring approval for their equipment.

**APPENDIX B
MEMORY & I/O MAPS**

B.01 MEMORY MAP

DIAGRAM B-1: Memory Map Diagram



¹ For Teknor BIOS Extension, choose one of two options: CC000h-CFFFFh or DC000h-DFFFFh.

On the following page, the memory map is displayed in a table format. See Table B-1.

TABLE B-1: Memory Map

Address	Optional Address	Function
00000-0FFFF		0-640 KB DRAM
A0000-BFFFF		Video DRAM
C0000-CBFFF		Video BIOS
CC000-CFFFF	DC000-DFFFF	Teknor BIOS Extension
D0000-DBFFF		SCSI BIOS
E0000-FFFFFF		System BIOS
100000 - Top of DRAM		1MB - Top of DRAM

B.02 I/O MAP

TABLE B-2: I/O Map

Address	Optional Address	Optional Address	Optional Address	Function
000-00F				DMA Controller 1
020-03F				Interrupt Controller 1
040-043				Counter/Timers
060-064				Keyboard (8742)
070-071				Real-time clock, NMI mask
080-09F				DMA Page Register
0A0-0BF				Interrupt Controller 2
0C0-0DF				DMA Controller 2
0EA-0EB				Reserved for TEK-PAK
0EC-0EF				Configuration Registers
0F0-0FF				Math Coprocessor / Configuration Registers
190-197	290-297	390-397		Teknor Control Port
1F0-1F7, 3F6-3F7				IDE Hard Disk
3F0-3F7	370-377			Floppy Disk
340-35F	140-15F			SCSI Controller
378-37A	3BC-3BE	278-27A		Parallel Port (LPT1 by default)
3F8-3FF (COM1)	2F8-2FF (COM2)	3E8-3EF (COM3)	2E8-2EF (COM4)	UART1 (COM1 by default)
2F8-2FF (COM2)	3F8-3FF (COM1)	3E8-3EF (COM3)	2E8-2EF (COM4)	UART2 (COM2 by default)
3C0-3CF, 3D0-3DF, 3B0-3BB				Graphics Controller

APPENDIX C
MECHANICAL LAYOUT & BLOCK DIAGRAM

In this appendix, two diagrams are included in the following pages.

DIAGRAM C-1: Mechanical Specifications

DIAGRAM C-2: Block Diagram VPer809

DIAGRAM C-1: VIPer809 - Mechanical Specifications

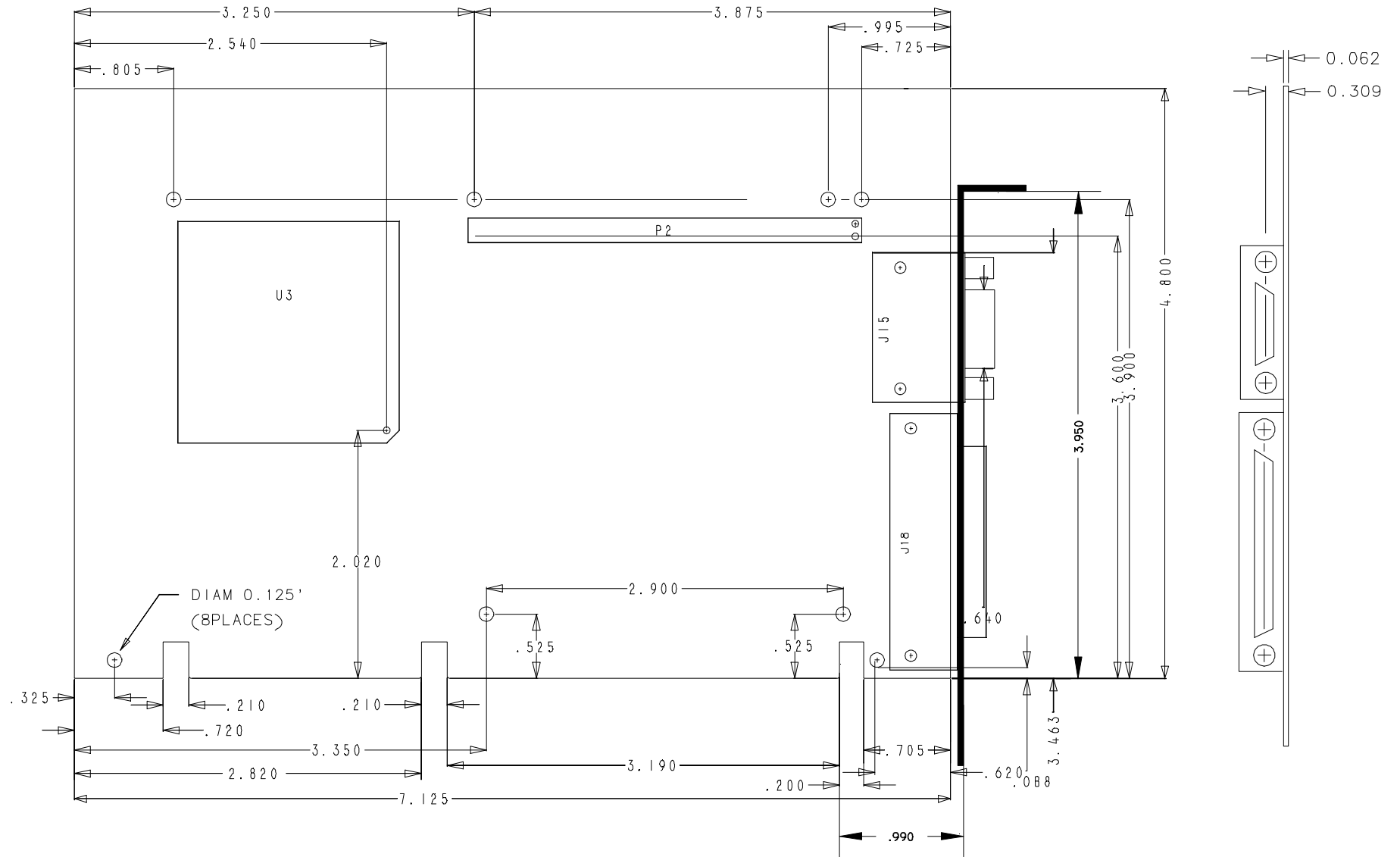
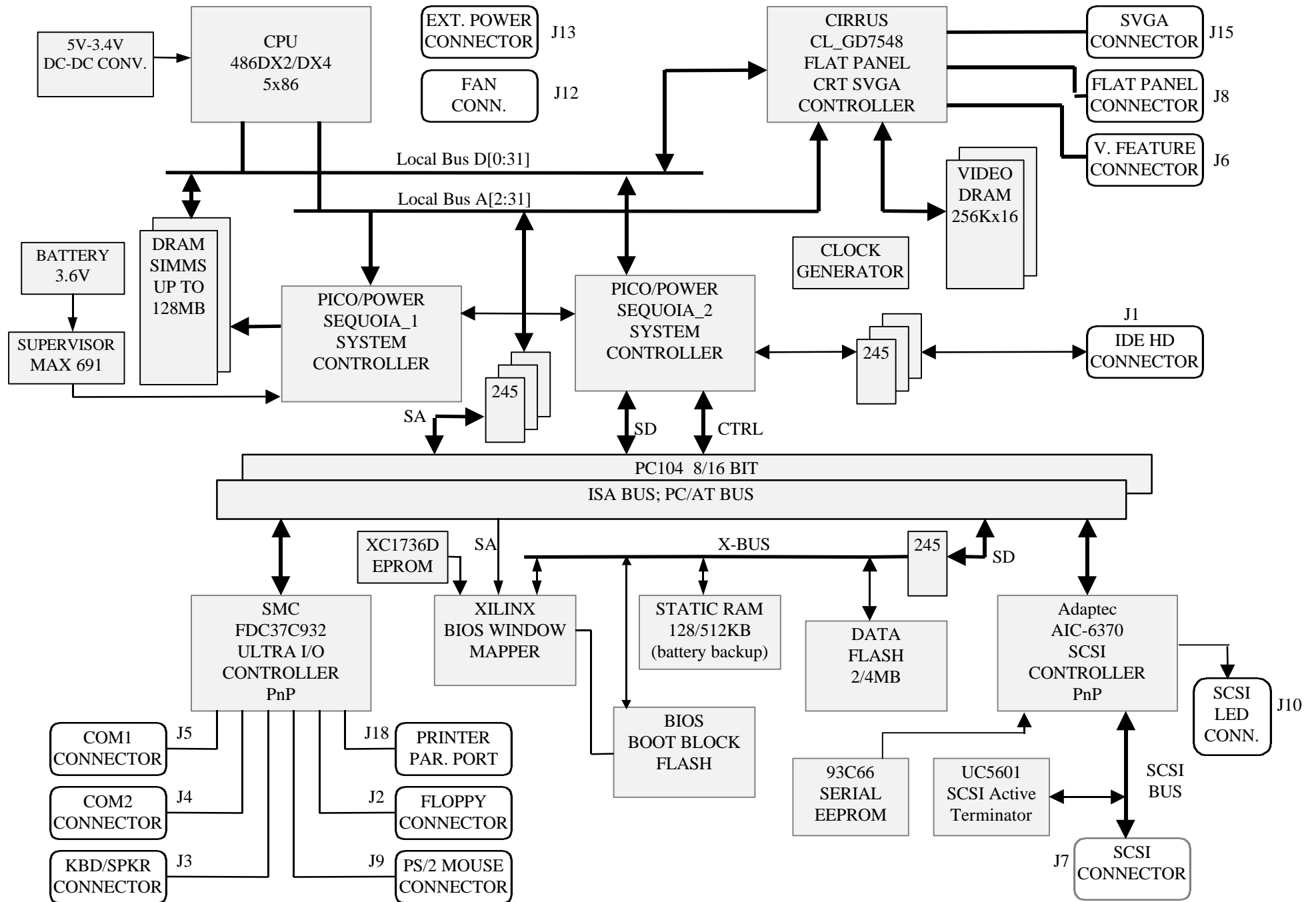


DIAGRAM C-2: Block Diagram VIPer809



**APPENDIX D
CONNECTOR PINOUTS**

IDE Hard Disk Connector (J1) - Pinout

Pin Number	Signal Flow	Signal	Pin Number	Signal Flow	Signal
1	I	RESET*	2	-	GND
3	I/O	HD7	4	I/O	HD8
5	I/O	HD6	6	I/O	HD9
7	I/O	HD5	8	I/O	HD10
9	I/O	HD4	10	I/O	HD11
11	I/O	HD3	12	I/O	HD12
13	I/O	HD2	14	I/O	HD13
15	I/O	HD1	16	I/O	HD14
17	I/O	HD0	18	I/O	HD15
19	-	GND	20	-	Not Used
21	-	Not Used	22	-	GND
23	I	IOW*	24	-	GND
25	I	IOR*	26	-	GND
27	O	IOCHRDY	28	I	BALE
29	-	Not Used	30	-	GND
31	O	IRQ14	32	O	IOCS16*
33	I	SA1	34	-	Not Used
35	I	SA0	36	I	SA2
37	I	CS0*	38	I	CS1*
39	O	ACTIVE*	40	-	GND

* Active low signal

Floppy Connector (J2) - Pinout

Pin Number	Signal Flow	Signal	Pin Number	Signal Flow	Signal
1	-	GND	2	O	DRV DENS.SEL.0*
3	-	GND	4	-	Not Used
5	-	GND	6	-	Not Used
7	-	GND	8	I	INDEX*
9	-	GND	10	O	MOTOR ON 0,1*
11	-	GND	12	O	DRIVE SELECT B
13	-	GND	14	O	DRIVE SELECT A
15	-	GND	16	O	MOTOR ON 2*
17	-	N. C. ¹	18	O	DIR CONTROL*
19	-	GND	20	O	STEP*
21	-	GND	22	O	WRITE DATA*
23	-	GND	24	O	WRITE ENABLE*
25	-	GND	26	I	TRACK0*
27	-	N. C. ¹	28	I	WRITE PROTECT*
29	-	N. C. ¹	30	I	READ DATA*
31	-	GND	32	O	HEAD SELECT*
33	-	N. C. ¹	34	I	DSKCHG

* Active low signal

¹ By default, these pins are not connected. However, by installing the W19 and W20 jumpers, these configurations are possible (see also page 6-8 in the manual):

- | | | |
|-------------------|-----|----------------------|
| 1) 17 GND | Or: | 2) 17 EDOUT (2.88MB) |
| 27 GND | | 27 HDOUT (2.88MB) |
| 29 EDOUT (2.88MB) | | 29 GND |
| 33 HDOUT (2.88MB) | | 33 GND |

Keyboard / Speaker Connector (J3) - Pinout

Pin Number			Pin Number		
Signal Flow			Signal Flow		
Signal			Signal		
KBCLK	I/O	1	2	-	GND
KBDATA	I/O	3	4	-	GND
VCC (+5V)	-	5	6	-	VCC (+5V)
SPKR	O	7	8	-	VCC (+5V)
Not Used	-	9	10	-	GND
DOWNLD*	I	11	12	-	GND
PBRES*	I	13	14	-	GND
HDD ACTIVE*	O	15	16	-	VCC (+5V)

* Active low signal

Serial Port 2 (J4) RS-232 - Pinout

Pin Number			Pin Number		
Signal Flow			Signal Flow		
Signal			Signal		
DCD	I	1	2	I	DSR
RX	I	3	4	O	RTS
TX	O	5	6	I	CTS
DTR	O	7	8	I	RI
GND	-	9	10	-	Not Used

Serial Port 2 (J4) RS-422/RS-485 - Pinout

Pin Number			Pin Number		
Signal Flow			Signal Flow		
Signal			Signal		
DCD	I	1	2	I	DSR
RXD(-)	I/O	3	4	I/O	RXD(+)
TXD(-)	I/O	5	6	I/O	TXD(+)
DTR	O	7	8	I	RI
GND	-	9	10	-	Not Used

Serial Port 1 - (J5) RS-232 - Pinout

Pin Number			Pin Number		
Signal Flow			Signal Flow		
Signal			Signal		
DCD	I	1	2	I	DSR
RX	I	3	4	O	RTS
TX	O	5	6	I	CTS
DTR	O	7	8	I	RI
GND	-	9	10	-	Not Used

Video Feature / V-PORT Connector (J6) - Pinout

I/O Pin	Signal Name
Y1	FCP0
Y2	FCP1
Y3	FCP2
Y4	FCP3
Y5	FCP4
Y6	FCP5
Y7	FCP6
Y8	FC P7
Y9	FCCLK
Y10	FCBLANK*
Y11	FCHSYNC
Y12	FCVSYNC
Y13	GND

I/O Pin	Signal Name
Z1	GND
Z2	GND
Z3	GND
Z4	FCEVIDEO*
Z5	FCESYNC*
Z6	Not Used
Z7	Not Used
Z8	GND
Z9	GND
Z10	GND
Z11	GND
Z12	FCVCLK
Z13	OVRW*

* Active low signal

Note: If you want to use the J6 connector as a V-PORT, contact Technical Support for changes in the connector's signals and other important information.

SCSI Connector (J7) - Pinout

Pin Number	Signal	Pin Number	Signal
1	GND	2	SCSI D0
3	GND	4	SCSI D1
5	GND	6	SCSI D2
7	GND	8	SCSI D3
9	GND	10	SCSI D4
11	GND	12	SCSI D5
13	GND	14	SCSI D6
15	GND	16	SCSI D7
17	GND	18	SCSI DP*
19	GND	20	GND
21	GND	22	GND
23	GND	24	GND
25	Open	26	Term Power
27	GND	28	GND
29	GND	30	GND
31	GND	32	ATN*
33	GND	34	GND
35	GND	36	BSY*
37	GND	38	ACK*
39	GND	40	RESET*
41	GND	42	MSG*
43	GND	44	SEL*
45	GND	46	C/D*
47	GND	48	REQ*
49	GND	50	I/O*

* Active low signal

Flat Panel Connector (J8) - Pinout

Pin Number	Signal	Pin Number	Signal
1	FP4	26	FPDE
2	FP5	27	GND
3	FP6	28	GND
4	FP7	29	FP8
5	FP12	30	GP0
6	FP13	31	GP1
7	FP14	32	GND
8	FP15	33	FPBL
9	FP19	34	GND
10	FP18	35	LLCLK
11	FP11	36	GND
12	FP10	37	FPVEE
13	FP23	38	FPVCC
14	FP22	39	FP2
15	FP21	40	GP2
16	FP20	41	STANDBY*
17	GND	42	FP16
18	FPVDCLK	43	FP1
19	GND	44	FP17
20	FP9	45	Not Used
21	GND	46	Not Used
22	LFS	47	VCC (+5V)
23	FP3 (MOD)	48	VCC (+5V)
24	FP0	49	+12V
25	GND	50	+12V

* Active low signal

PS/2 Mouse Connector (J9) - Pinout

Pin Number	Signal
1	MCLK
2	GND
3	MDATA
4	VCC (+5V)

SCSI LED Connector (J10) - Pinout

Pin Number	Signal
1	VCC (+5V)
2	LED-CTL*

* Active low signal

Suspend / Resume Momentary Switch (J11) - Pinout

Pin Number	Signal
1	VCC (+5V)
2	SWITCH

Fan Connector (J12) - Pinout

Pin Number	Signal
1	+12V
2	GND

External Power Connector (J13) - Pinout

Pin Number	Signal
1	VCC (+5V)
2	GND
3	GND
4	+12V
5	-12V
6	PD (Power Fail Detection Input)

SVGA Connector (J15) - Pinout

Pin Number	Signal	Pin Number	Signal	Pin Number	Signal
1	RED	6	GND	11	Not Used
2	GREEN	7	GND	12	Not Used
3	BLUE	8	GND	13	HSYNC
4	Not Used	9	Not Used	14	VSYNC
5	GND	10	GND	15	Not Used

Printer Parallel Port (J18) - Standard Mode - Pinout

Pin Number			Pin Number		
Signal Flow			Signal Flow		
Signal			Signal		
STROBE*	O	1	14	O	AUTOFD*
D0	I/O	2	15	I	ERROR*
D1	I/O	3	16	O	INIT*
D2	I/O	4	17	O	SELECTIN*
D3	I/O	5	18	-	GND
D4	I/O	6	19	-	GND
D5	I/O	7	20	-	GND
D6	I/O	8	21	-	GND
D7	I/O	9	22	-	GND
ACK*	I	10	23	-	GND
BUSY	I	11	24	-	GND
PE	I	12	25	-	GND
SELECT	I	13			

* Active low signal

Printer Parallel Port (J18) - EPP Mode - Pinout

Pin Number			Pin Number		
Signal Flow			Signal Flow		
Signal			Signal		
WRITE*	O	1	14	O	DATASTB*
D0	I/O	2	15	-	Not Used
D1	I/O	3	16	-	Not Used
D2	I/O	4	17	O	ADDRSTRB*
D3	I/O	5	18	-	GND
D4	I/O	6	19	-	GND
D5	I/O	7	20	-	GND
D6	I/O	8	21	-	GND
D7	I/O	9	22	-	GND
INTR	I	10	23	-	GND
WAIT*	I	11	24	-	GND
Not Used	-	12	25	-	GND
Not Used	-	13			

* Active low signal

Printer Parallel Port (J18) - ECP Mode - Pinout

Pin Number			Pin Number		
Signal Flow			Signal Flow		
Signal			Signal		
STROBE*	O	1	14	O	AUTOFD*, HOSTACK ³
D0	I/O	2	15	I	FAULT* ¹ , PERIPHRQST* ³
D1	I/O	3	16	O	INIT* ¹ , REVERSERQST* ³
D2	I/O	4	17	O	SELECTIN* ^{1,3}
D3	I/O	5	18	-	GND
D4	I/O	6	19	-	GND
D5	I/O	7	20	-	GND
D6	I/O	8	21	-	GND
D7	I/O	9	22	-	GND
ACK*	I	10	23	-	GND
BUSY, PERIPHACK ³	I	11	24	-	GND
PERROR, ACKREVERSE ³	I	12	25	-	GND
SELECT	I	13			

* Active low signal

¹ Compatible Mode

² High Speed Mode

PC/104 Card Connector (P2)

A Side

P2 Pin	I/O PIN	Signal Name	I/O
1	A1	IOCHK*	I
3	A2	SD7	I/O
5	A3	SD6	I/O
7	A4	SD5	I/O
9	A5	SD4	I/O
11	A6	SD3	I/O
13	A7	SD2	I/O
15	A8	SD1	I/O
17	A9	SD0	I/O
19	A10	IOCHRDY	I
21	A11	AEN	O
23	A12	SA19	I/O
25	A13	SA18	I/O
27	A14	SA17	I/O
29	A15	SA16	I/O
31	A16	SA15	I/O
33	A17	SA14	I/O
35	A18	SA13	I/O
37	A19	SA12	I/O
39	A20	SA11	I/O
41	A21	SA10	I/O
43	A22	SA9	I/O
45	A23	SA8	I/O
47	A24	SA7	I/O
49	A25	SA6	I/O
51	A26	SA5	I/O
53	A27	SA4	I/O
55	A28	SA3	I/O
57	A29	SA2	I/O
59	A30	SA1	I/O
61	A31	SA0	I/O
63	A32	GND	-

B Side

P2 Pin	I/O PIN	Signal Name	I/O
2	B1	GND	-
4	B2	RESET DRV	O
6	B3	VCC (+5V)	-
8	B4	IRQ9	I
10	B5	-5V	-
12	B6	DRQ2	I
14	B7	-12V	-
16	B8	OWS*	I
18	B9	+12V	-
20	B10	Not Used	-
22	B11	SMEMW*	O
24	B12	SMEMR*	O
26	B13	IOW*	I/O
28	B14	IOR*	I/O
30	B15	DACK3*	O
32	B16	DRQ3	I
34	B17	DACK1*	O
36	B18	DRQ1	I
38	B19	REFRESH*	I/O
40	B20	SYSCLK	O
42	B21	IRQ7	I
44	B22	IRQ6	I
46	B23	IRQ5	I
48	B24	IRQ4	I
50	B25	IRQ3	I
52	B26	DACK2*	O
54	B27	T/C	O
56	B28	BALE	O
58	B29	VCC (+5V)	-
60	B30	OSC	O
62	B31	GND	-
64	B32	GND	-

* Active low signal

PC/104 Card Connector (P1)

C Side

P1 Pin	I/O PIN	Signal Name	I/O
2	C0	GND	-
4	C1	SBHE*	I/O
6	C2	SA23	I/O
8	C3	SA22	I/O
10	C4	SA21	I/O
12	C5	SA20	I/O
14	C6	SA19	I/O
16	C7	SA18	I/O
18	C8	SA17	I/O
20	C9	MEMR*	I/O
22	C10	MEMW*	I/O
24	C11	SD8	I/O
26	C12	SD9	I/O
28	C13	SD10	I/O
30	C14	SD11	I/O
32	C15	SD12	I/O
34	C16	SD13	I/O
36	C17	SD14	I/O
38	C18	SD15	I/O
40	C19	Not Used	-

D Side

P1 Pin	I/O PIN	Signal Name	I/O
1	D0	GND	-
3	D1	MEMCS16*	I
5	D2	IOCS16*	I
7	D3	IRQ10	I
9	D4	IRQ11	I
11	D5	IRQ12	I
13	D6	IRQ15	I
15	D7	IRQ14	I
17	D8	DACK0*	O
19	D9	DRQ0	I
21	D10	DACK5*	O
23	D11	DRQ5	I
25	D12	DACK6*	O
27	D13	DRQ6	I
29	D14	DACK7*	O
31	D15	DRQ7	I
33	D16	VCC (+5V)	-
35	D17	MASTER*	I
37	D18	GND	-
39	D19	GND	-

* Active low signal

PC Bus Connector

A Side

I/O PIN	Signal Name	I/O
A1	IOCHK*	I
A2	SD7	I/O
A3	SD6	I/O
A4	SD5	I/O
A5	SD4	I/O
A6	SD3	I/O
A7	SD2	I/O
A8	SD1	I/O
A9	SD0	I/O
A10	IOCHRDY	I
A11	AEN	O
A12	SA19	I/O
A13	SA18	I/O
A14	SA17	I/O
A15	SA16	I/O
A16	SA15	I/O
A17	SA14	I/O
A18	SA13	I/O
A19	SA12	I/O
A20	SA11	I/O
A21	SA10	I/O
A22	SA9	I/O
A23	SA8	I/O
A24	SA7	I/O
A25	SA6	I/O
A26	SA5	I/O
A27	SA4	I/O
A28	SA3	I/O
A29	SA2	I/O
A30	SA1	I/O
A31	SA0	I/O

B Side

I/O PIN	Signal Name	I/O
B1	GND	-
B2	RESET DRV	O
B3	VCC (+5V)	-
B4	IRQ9	I
B5	-5V	-
B6	DRQ2	I
B7	-12V	-
B8	OWS*	I
B9	+12V	-
B10	GND	-
B11	SMEMW*	O
B12	SMEMR*	O
B13	IOW*	I/O
B14	IOR*	I/O
B15	DACK3*	O
B16	DRQ3	I
B17	DACK1*	O
B18	DRQ1	I
B19	REFRESH*	I/O
B20	SYSCLK	O
B21	IRQ7	I
B22	IRQ6	I
B23	IRQ5	I
B24	IRQ4	I
B25	IRQ3	I
B26	DACK2*	O
B27	T/C	O
B28	BALE	O
B29	VCC (+5V)	-
B30	OSC	O
B31	GND	-

* Active low signal

PC Bus Connector

C Side

I/O PIN	Signal Name	I/O
C1	SBHE*	I/O
C2	SA23	I/O
C3	SA22	I/O
C4	SA21	I/O
C5	SA20	I/O
C6	SA19	I/O
C7	SA18	I/O
C8	SA17	I/O
C9	MEMR*	I/O
C10	MEMW*	I/O
C11	SD8	I/O
C12	SD9	I/O
C13	SD10	I/O
C14	SD11	I/O
C15	SD12	I/O
C16	SD13	I/O
C17	SD14	I/O
C18	SD15	I/O

D Side

I/O PIN	Signal Name	I/O
D1	MEMCS16*	I
D2	IOCS16*	I
D3	IRQ10	I
D4	IRQ11	I
D5	IRQ12	I
D6	IRQ15	I
D7	IRQ14	I
D8	DACK0*	O
D9	DRQ0	I
D10	DACK5*	O
D11	DRQ5	I
D12	DACK6*	O
D13	DRQ6	I
D14	DACK7*	O
D15	DRQ7	I
D16	VCC (+5V)	-
D17	MASTER*	I
D18	GND	-

* Active low signal

APPENDIX E
RECOMMENDED DEVICES & MATING CONNECTORS

The following is a list of recommended devices and connectors for use on the VIPer809. Many other models are available and function equally well. Users are encouraged to check with their local distributors for comparable substitutes.

DRAM (U6 and U7)

DRAM devices with parity bit and with page mode at 70ns maximum access time are recommended. For example:

MICRON	MT10D25636M-7	(256K*36)
NEC	MC-42255A36B-70	(256K*36)
SAMSUNG	KMM536256C-7	(256K*36)
TOSHIBA	THM362500AS-70	(256K*36)
MICRON	MT18D51236M-7	(512K*36)
MICRON	MT9D136M-7	(1M*36)
NEC	MC-421000A36B-70	(1M*36)
SAMSUNG	KMM5361000B-7	(1M*36)
TI	TM124MBK36R-70	(1M*36)
TOSHIBA	THM361020AS-70	(1M*36)
HITACHI	HB56D236B2-7C	(2M*36)
HITACHI	HB56D236BS-7BC	(2M*36)
HITACHI	HB56D236BW-7B	(2M*36)
HITACHI	HB56D236BW-7C	(2M*36)
HYUNDAI	HYM536220W-70	(2M*36)
MICRON	MT18D236M-7	(2M*36)
NEC	MC422000A36B-70	(2M*36)
SAMSUNG	KMM5362000B-7	(2M*36)
TOSHIBA	THM362040AS-60	(2M*36)
TOSHIBA	THM362040AS-70	(2M*36)
HYUNDAI	HYM536410AM-70	(4M*36)
MITSUBISHI	MH4M36ANXJ-7	(4M*36)
NEC	MC-424000A36BH-70	(4M*36)
NEC	MC-424000A36BJ-70	(4M*36)
SAMSUNG	KMM5364100-7	(4M*36)

TOSHIBA	THM364020S-70	(4M*36)
HITACHI	HB56D836BR-70A	(8M*36)
TOSHIBA	THM368020S-70	(8M*36)
TOSHIBA	THM368020SG-70	(8M*36)

INTERFACE CONNECTORS

The following connectors are recommended for interfacing with the I/O devices. The parts shown here do not have a strain relief but one may be added.

<u>Connector</u>	<u>Recommended Mating Part</u>
Hard Disk (J1)	Robinson Nugent IDS-C40PK-TG Amp 746285-9 [499252-1*] Thomas & Betts 622-4030 [622-4041*] (40-pin flat cable connector)
Floppy Disk (J2)	Robinson Nugent IDS-C34PK-TG Amp 746285-8 [499252-6*] Thomas & Betts 622-3430 [622-3441*] (34-pin flat cable connector)
Keyboard /Speaker (J3)	Robinson Nugent IDS-C16PK-TG Amp 746285-3 [499252-8*] Thomas & Betts 622-1630 [622-1641*] (16-pin flat cable connector)
Serial Ports (J4 & J5)	Robinson Nugent IDS-C10PK-TG Amp 746285-1 [499252-5*] Thomas & Betts 622-1030 [622-1041*] (10-pin flat cable connector)
Feature Connector (J6)	Robinson Nugent IDS-C26PK-TG Amp 746285-6 [499252-3*] Thomas & Betts 622-2630 [622-2641*] (Polarized IDC female socket connector)
SCSI Connector (J7)	Teknor 150-176 (SCSI Adaptor 50 HDD to 50 HD Assembly) Hirose HIF6-50D-1.27R (Connector only) Adam Tech HFCS-50SG (Connector only)
Flat Panel (J8)	Teknor 150-105 (High Density Flat Panel Connector Assembly) Hirose HIF6-50D-1.27R (Connector only) Adam Tech HFCS-50SG (Connector only)

* optional strain relief part number shown in square brackets

<u>Connector</u>	<u>Recommended Mating Part</u>
PS/2 Connector (J9)	Molex 22-01-3047 (connector) Molex 08-50-0114 (crimp)
SCSI LED (J10), Suspend/Resume (J11), & Fan Connector (J12)	Leoco 2530 S020013 (housing) Leoco 2533 TCB00A0 (crimp) Molex 22-01-3027 (housing) Molex 08-50-0114 (crimp)
Power Connector (J13)	Leoco 2530 S060013 (housing) Leoco 2533 TCB00A0 (crimp) Molex 22-01-3067 (housing) Molex 08-50-0114 (crimp)

APPENDIX F POST CODES & ERROR CODES

When you power on your system, the Power On Self Test (POST) diagnostic routines check to make sure your system is running properly. A number of check points are covered during these tests. These POST codes are described in F.01.

Fatal errors, which halt the boot process, are communicated through a series of audible beeps. If POST can initialize the system video display, it will display the error message. Beep error codes are described in F.03.

F.01 POST CODES

POST codes can be displayed by installing a PC diagnostic POST card. This card includes a small display, which indicates the POST code number of specific check-points in the POST routines as they are passed.

POST CODE	DESCRIPTION
-----------	-------------

Uncompressed INITIALIZATION code check-points

D0	NMI is Disabled. CPU ID saved. Init code Checksum verification starting.
D1	To do DMA init, Keyboard controller BAT test, start memory refresh and going to 4GB flat mode.
D3	To start Memory sizing.
D4	To comeback to real mode. Execute OEM patch. Set stack.
D5	E000 ROM enabled. Init code is copied to segment 0 and control to be transfered to segment 0.
D6	Control is in segment 0. To check <CTRL><HOME> key and verify main BIOS checksum. If either <CTRL><HOME> is pressed or main BIOS checksum is bad, go to check point E0 else goto check point D7.
D7	Main BIOS runtime code is to be decompressed and control to be passed to main BIOS in shadow RAM.

LEGEND

Symbol	Description
*	1 Beep code
...	Repeat the last part until error corrected or Power down
-	Silence

Runtime code is uncompressed in F000 shadow RAM

03	NMI is Disabled. To check soft reset/power-on.
05	BIOS stack set. Going to disable Cache if any.
06	POST code to be uncompressed.
07	CPU init and CPU data area init to be done.
08	CMOS checksum calculation to be done next.
0B	Any initialization before Keyboard BAT to be done next.
0C	KB controller I/B free. To issue the BAT command to Keyboard controller.
0E	Any initialization after KB controller BAT to be done next.
0F	Keyboard command byte to be written.
10	Going to issue Pin-23,24 blocking/unblocking command.
11	Going to check pressing of <INS> , <END> key during power-on.
12	To init CMOS if “Init CMOS in every boot” is set or <END> key is pressed. Going to disable DMA and Interrupt controllers.
13	Video display is disabled and port-B is initialized. Chipset init about to begin.
14	8254 timer test about to start.
19	About to start memory refresh test.
1A	Memory Refresh line is toggling. Going to check 15us ON/OFF time.
23	To read 8042 input port and disable Megakey GreenPC feature. Make BIOS code segment writeable.
24	To do any setup before Int vector init.
25	Interrupt vector initialization about to begin. To clear password if necessary.
27	Any initialization before setting video mode to be done.
28	Going for monochrome mode and color mode setting.
2A	Different BUSES init (system, static, output devices) to start if present. (Please see Section F.02 for details of different BUSES).
2B	To give control for any setup required before optional video ROM check.
2C	To look for optional video ROM and give control.
2D	To give control to do any processing after video ROM returns control.
2E	If EGA/VGA not found then do display memory R/W test.

POST CODE	DESCRIPTION
2F	EGA/VGA not found. Display memory R/W test about to begin.
30	Display memory R/W test passed. About to look for the retrace checking.
31	Display memory R/W test or retrace checking failed. To do alternate Display memory R/W test.
32	Alternate Display memory R/W test passed. To look for the alternate display retrace checking.
34	Video display checking over. Display mode to be set next.
37	Display mode set. Going to display the power on message.
38	Different BUSES init (input, IPL, general devices) to start if present. <i>(Please see Section F.02 for details of different BUSES).</i>
39	Display different BUSES initialization error messages. <i>(Please see Section F.02 for details of different BUSES).</i>
3A	New cursor position read and saved. To display the Hit message.
40	To prepare the descriptor tables.
42	To enter in virtual mode for memory test.
43	To enable interrupts for diagnostics mode.
44	To initialize data to check memory wrap around at 0:0.
45	Data initialized. Going to check for memory wrap around at 0:0 and finding the total system memory size.
46	Memory wrap around test done. Memory size calculation over. About to go for writing patterns to test memory.
47	Pattern to be tested written in extended memory. Going to write patterns in base 640k memory.
48	Patterns written in base memory. Going to findout amount of memory below 1M memory.
49	Amount of memory below 1M found and verified. Going to findout amount of memory above 1M memory.
4B	Amount of memory above 1M found and verified. Check for soft reset and going to clear memory below 1M for soft reset. (If power on, go to check point# 4Eh).
4C	Memory below 1M cleared. (SOFT RESET) Going to clear memory above 1M.
4D	Memory above 1M cleared. (SOFT RESET) Going to save the memory size. (Goto check point# 52h).
4E	Memory test started. (NOT SOFT RESET) About to display the first 64k memory size.
4F	Memory size display started. This will be updated during memory test. Going for sequential and random memory test.

POST CODE	DESCRIPTION
50	Memory testing/initialization below 1M complete. Going to adjust displayed memory size for relocation/ shadow.
51	Memory size display adjusted due to relocation/ shadow. Memory test above 1M to follow.
52	Memory testing/initialization above 1M complete. Going to save memory size information.
53	Memory size information is saved. CPU registers are saved. Going to enter in real mode.
54	Shutdown successful, CPU in real mode. Going to disable gate A20 line and disable parity/NMI.
57	A20 address line, parity/NMI disable successful. Going to adjust memory size depending on relocation/shadow.
58	Memory size adjusted for relocation/shadow. Going to clear Hit message.
59	Hit message cleared. <WAIT...> message displayed. About to start DMA and interrupt controller test.
60	DMA page register test passed. To do DMA#1 base register test.
62	DMA#1 base register test passed. To do DMA#2 base register test.
65	DMA#2 base register test passed. To program DMA unit 1 and 2.
66	DMA unit 1 and 2 programming over. To initialize 8259 interrupt controller.
7F	Extended NMI sources enabling is in progress.
80	Keyboard test started. clearing output buffer, checking for stuck key, to issue Keyboard reset command.
81	Keyboard reset error/stuck key found. To issue Keyboard controller interface test command.
82	Keyboard controller interface test over. To write command byte and init circular buffer.
83	Command byte written, Global data init done. To check for lock-key.
84	Lock-key checking over. To check for memory size mismatch with CMOS.
85	Memory size check done. To display soft error and check for password or bypass setup.
86	Password checked. About to do programming before setup.
87	Programming before setup complete. To uncompress SETUP code and execute CMOS setup.

POST CODE	DESCRIPTION
88	Returned from CMOS setup program and screen is cleared. About to do programming after setup.
89	Programming after setup complete. Going to display power on screen message.
8B	First screen message displayed. <WAIT...> message displayed. PS/2 Mouse check and extended BIOS data area allocation to be done.
8C	Setup options programming after CMOS setup about to start.
8D	Going for hard disk controller reset.
8F	Hard disk controller reset done. Floppy setup to be done next.
91	Floppy setup complete. Hard disk setup to be done next.
95	Init of different BUSES optional ROMs from C800 to start. <i>(Please see Section F.02 for details of different BUSES).</i>
96	Going to do any init before C800 optional ROM control.
97	Any init before C800 optional ROM control is over. Optional ROM check and control will be done next.
98	Optional ROM control is done. About to give control to do any required processing after optional ROM returns control and enable external Cache.
99	Any initialization required after optional ROM test over. Going to setup timer data area and printer base address.
9A	Return after setting timer and printer base address. Going to set the RS-232 base address.
9B	Returned after RS-232 base address. Going to do any initialization before Coprocessor test.
9C	Required initialization before Coprocessor is over. Going to initialize the Coprocessor next.
9D	Coprocessor initialized. Going to do any initialization after Coprocessor test.
9E	Initialization after Coprocessor test is complete. Going to check extended Keyboard, Keyboard ID and num-lock. Keyboard ID command to be issued next.
A2	Going to display any soft errors.
A3	Soft error display complete. Going to set Keyboard typematic rate.
A4	Keyboard typematic rate set. To program memory wait states.
A5	Going to enable parity/NMI.
A7	NMI and parity enabled. Going to do any initialization required before giving control to optional ROM at E000.

POST CODE	DESCRIPTION
----------------------	--------------------

A8	Initialization before E000 ROM control over. E000 ROM to get control next.
A9	Returned from E000 ROM control. Going to do any initialization required after E000 optional ROM control.
AA	Initialization after E000 optional ROM control is over. Going to display the system configuration.
AB	To uncompress DMI data and execute DMI POST init.
B0	System configuration is displayed.
B1	Going to copy any code to specific area.
00	Copying of code to specific area done. Going to give control to INT-19 boot loader.

F.02 WORD CHECK-POINTS

Additional WORD check-points are output to port 80h while control is inside the different BUS routines. The LOW BYTE of check-point is the POST code (section F.01) representing the system BIOS check-point from where the control is passed to different BUS routines.

The HIGH BYTE of check-point is the indication of which routine is being executed in different BUSES. The details of HIGH BYTE ('XY') are explained below.

The upper nibble 'X' indicates the function number being executed:

- 0 Disable all devices on the BUS concerned.
- 1 Static devices initialization on the BUS concerned.
- 2 Output device initialization on the BUS concerned.
- 3 Input device initialization on the BUS concerned.
- 4 IPL device initialization on the BUS concerned.
- 5 General device initialization on the BUS concerned.
- 6 Error reporting for the BUS concerned.
- 7 Add-on ROM initialization for all BUSES.

The lower nibble 'Y' indicates the BUS on which the different routines are being executed:

- 0 Generic DIM (Device Initialization Manager).
- 1 On-board System devices.
- 2 ISA devices.
- 3 EISA devices.
- 4 ISA PnP devices.
- 5 PCI devices.

F.03 BEEP ERROR CODES

All beep codes, except number 8, are fatal errors.

If your system starts beeping during POST, count the number of beeps and check the table below to identify the error. Note that it is not guaranteed that these errors will always generate beeps.

TABLE F-1: Beep Error Codes

BEEPS	ERROR MESSAGE	DESCRIPTION
1	Refresh Failure	The memory refresh circuitry is faulty.
2	Parity Error	Parity error in the base memory (the first 64KB block of memory)
3	Base 64KB Memory Failure	Memory failure in the first 64KB.
4	Time Not Operational	A memory failure in the first 64KB of memory, or Timer 1 is not functioning.
5	Processor error	The CPU generated an error.
6	8042 - Gate A20 Failure	Cannot switch to protected mode.
7	Processor Exception Interrupt Error	The CPU on the CPU Card generated an exception interrupt.
8	Display Memory Read/Write Error	The system video adapter is either missing or its memory is faulty. This is not a fatal error.
9	ROM Cheksum Error	The ROM checksum value does not match the value encoded in AMIBIOS.
10	CMOS Shutdown Register Read/Write Error	The shutdown register for CMOS RAM has failed.
11	Cache memory bad - do not enable Cache	The Cache memory test failed. Cache memory is disabled. Do not press the CTRL, ALT, SHIFT and + keys (simultaneously) to enable Cache memory.

GETTING HELP

At TEKNOR we take great pride in our customer's successes. We strongly believe in providing full support at all stages of your product development.

If at any time you encounter difficulties with your application or with any of our products, or if you simply need guidance on system setups and capabilities, you may contact our Technical Support department at:

CANADIAN HEADQUARTERS

Tel.: (450) 437-5682
Fax: (450) 437-8053

EUROPEAN REGIONAL OFFICE

Tel.: +49 811 / 600 15-0
Fax: +49 811 / 600 15-33

If you have any questions about TEKNOR, our products or services, you may reach us at the above numbers or by writing to:

**TEKNOR INDUSTRIAL
COMPUTERS INC.
616 Cure Boivin
Boisbriand, Quebec
J7G 2A7 CANADA**

**TEKNOR INDUSTRIAL
COMPUTERS INC.
Zeppelin Str. 4
D-85399 Hallbergmoos
GERMANY**

LIMITED WARRANTY

TEKNOR INDUSTRIAL COMPUTERS INC. ("the seller") warrants its products to be free from defects in material and workmanship for a period of two (2) years commencing on the date of shipment. The liability of the seller shall be limited to replacing or repairing, at the seller's option, any defective units. Equipment or parts which have been subject to abuse, misuse, accident, alteration, neglect, or unauthorized repair are not covered by this warranty. This warranty is in lieu of all other warranties expressed or implied.

Returning Defective Merchandise

If your TEKNOR product malfunctions, please do the following before returning any merchandise:

- 1) Call our Technical Support department in Canada at (450) 437-5682 or in Germany at +49 811 / 600 15-0. Make certain you have the following at hand: the TEKNOR Invoice #, your Purchase Order #, and the Serial Number of the defective unit.
- 2) Give the serial number found on the back of the card and explain the nature of your problem to a service technician.
- 3) If the problem cannot be solved over the telephone, the technician will further instruct you on the return procedure.
- 4) Prior to returning any merchandise, make certain you receive an RMA # from TEKNOR's Technical Support and clearly mark this number on the outside of the package you are returning. To request a number, follow these steps: make a copy of the request form on the following page, fill it out and fax it to us.
- 5) When returning goods, please include the name and telephone number of a person whom we can contact for further explanations if necessary. **Where applicable, always include all duty papers and invoice(s) associated with the item(s) in question.**
- 6) When returning a TEKNOR card:
 - i) Make certain that the card is properly packed: Place it in an antistatic plastic bag and pack it in a rigid cardboard box.
 - ii) Ship prepaid to (but not insured, since incoming units are insured by TEKNOR):

**TEKNOR INDUSTRIAL
COMPUTERS INC.
616 Cure Boivin
Boisbriand, Quebec
J7G 2A7 CANADA**

**TEKNOR INDUSTRIAL
COMPUTERS INC.
Zeppelin Str. 4
D-85399 Hallbergmoos
GERMANY**



RETURN TO MANUFACTURER AUTORIZATION REQUEST

Contact Name: _____	
Company Name: _____	
Street Address: _____	
City: _____	Province / State: _____
Country: _____	Postal / Zip Code: _____
Phone Number: _____	Fax Number: _____
Extension: _____	

Serial Number	Failure or Problem Description	P.O. # (if not under warranty)

ref.: RMA-02

Fax this form to TEKNOR's Technical Support department
in Canada at (450) 437-8053 or in Germany at +49 811 / 600 15-33