
P3810-T / P3810E-T QUICK MANUAL

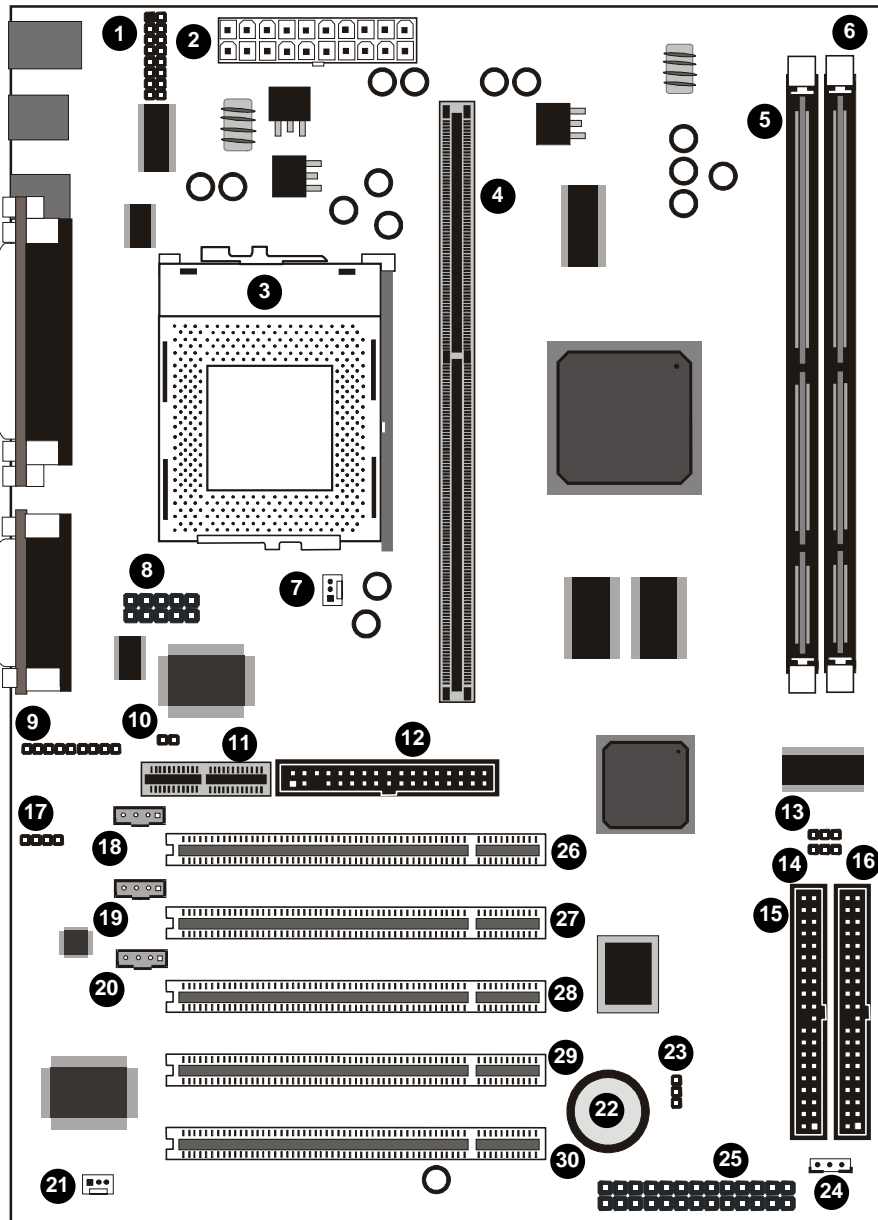
Introduction

The P3810-T/P3810E-T motherboard features dual processor sockets (Slot-1 and Socket-370), and the new Intel 810-DC100/810E chipset that includes an integrated 3D graphics system. The board includes built-in audio and five 32-bit PCI slots. The P3810-T/P3810E-T makes a great platform for a powerful, but inexpensive value PC.

The key features of the P3810-T/P3810E-T are:

- ❑ P3810-T supports Intel Slot1 processors – SEPP Celeron and Pentium-III
- ❑ P3810E-T supports Intel Slot1 processors – SEPP Celeron, Pentium-II and Pentium-III
- ❑ P3810-T & P3810E-T supports Intel PPGA (Plastic Pin Grid Array) Celeron processor
- ❑ P3810E-T Supports forthcoming Intel socket-370 processor
- ❑ P3810-T supports 66/100 Front Side Bus frequencies
- ❑ P3810E-T supports 66/100/133 MHz Front Side Bus frequencies
- ❑ Two DIMM slots can be installed with up to 512 MB memory
- ❑ Built-in 3D graphics system
- ❑ Five 32-bit PCI expansion slots
- ❑ AMR (Audio Modem Riser) expansion slot
- ❑ Built-in Creative PCI audio system
- ❑ Support for hardware monitoring
- ❑ Supports two USB ports

P3810-T/P3810E-T Motherboard Guide



Note: Because of optional items and design changes, your motherboard may not be identical to the one shown in the illustration.

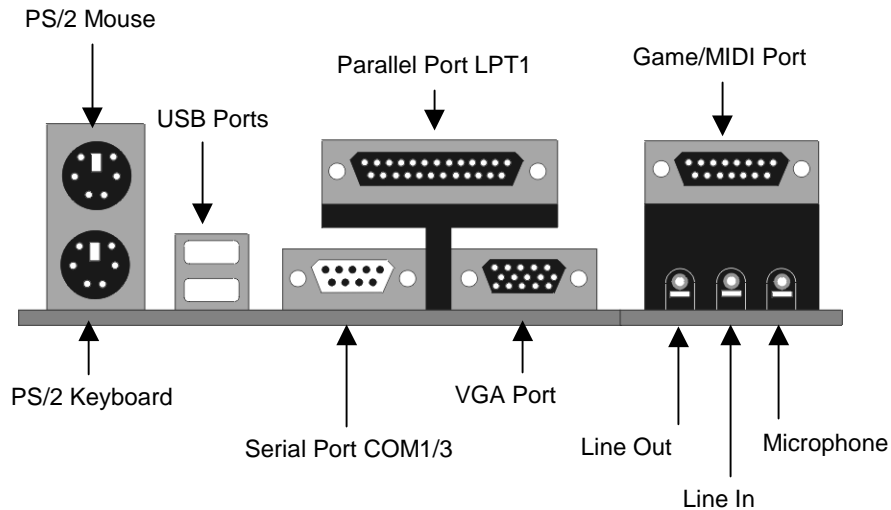
Key to Motherboard Components

No.	Name	Function
1	JP11	Connector for additional USB & PS/2 ports
2	J10	Connector for ATX power supply
3	Socket-370	Socket for PPGA socket-370 processor
4	Slot1	Slot for Slot1 processor cartridge
5	DIMM1	Two slots for memory modules
6	DIMM2	
7	J12	12V power connector for CPU cooling fan
8	CN9	Connector for second serial port COM2/4
9	JP7	External audio jacks connector
10	JP6	Chassis open detect connector
11	AMR	AMR slot for Audio Modem Riser card
12	FDD1	Connector for floppy diskette drives
13	J21	Select system bus frequency jumpers
14	J22	
15	J3	Primary UDMA 33/66 IDE channel connector
16	J2	Secondary UDMA 33/66 IDE channel connector
17	J8	Audio-in connector for voice modem card
18	J7	Audio-in connector for CD-ROM/DVD drive
19	J15	Audio-in connector for TV/DFP
20	J14	Audio-in connector for AUX IN
21	J11	12V power connector for chassis cooling fan
22	BAT1	Backup battery for CMOS memory and realtime clock
23	JP4	Clear CMOS memory jumper
24	J1	Wake On LAN connector
25	J13	Connectors for case front panel switches and indicators
26	PCI1	Five 32-bit PCI expansion slots
27	PCI2	
28	PCI3	
29	PCI4	
30	PCI5	

Note: *If you have used JP11 to connect additional PS/2 ports and USB ports: You can use the rear-mounted PS/2 ports or the additional PS/2 ports but not both. If you want to use both the rear-mounted USB ports and additional USB ports, you must have a USB hub for four ports.*

I/O Ports Guide

The rear edge of the motherboard is installed with a full range of I/O ports.



P3810-T/P3810E-T Motherboard Specifications

Processor Information

Choice of Slot1 or Socket-370 processors
P3810-T support for 66/100 MHz front side bus frequency
P3810E-T support for 66/100/133 MHz front side bus frequency
1 On-board CPU Fan Header

Chipset Information

P3810E-T: Intel 82810E chip
P3810-T: Intel 820810-DC100 chip
Intel 82801AA chip
NS PC87366 LPC Super I/O Chipset
Creative ES1373 PCI Audio Chip

Main Memory

Two 168-pins DIMM Sockets available.
Up to 512MB Memory without ECC.
4MB Display Cache (100/133 MHz for P3810E-T only)
4MB Display Cache (100 MHz for P3810-T only)

Integrated 3D Graphics

Integrated AGP graphics controller
Supports accelerated 2D and 3D graphics engines

Integrated PCI Audio System

Integrated PCI bus audio controller
Compatible with Sound Blaster and MS DirectSound, DirectSound 3D and DirectMusic Specification
Supports 3 audio jacks

BIOS Information

AMI Plug 'n' Play flash BIOS
ACPI / Deep Green / Energy Star / PC97, PC98, PC99 compliant
Blinking LED for Sleep mode & more
Year 2000 compliant

Disk Drive & System I/O

Dual Channel Two Ultra DMA 33/66 PCI Bus-Master IDE Ports
One Floppy Drive Connector Port (Up to 2.88MB)
Two 16550 compatible High Speed Serial Ports
One ECP/EPP High Speed Parallel Port
Two USB Rev 1.1 Ports
One SIR (infrared) Port/CIR Port (Shared with COM2 Port)
One PS/2 Mouse port and one PS/2 Keyboard port
One Game Port
One line in jack, one line out jack, one microphone jack

Expansion Slots

Five PCI Slots and one AMR Slot

Note: *To ensure system stability, please ensure that any PCI cards that you install support ACPI power management. If the cards do not support ACPI, you should not use the S3 and S4 suspend modes.*

Voltage and Power

ATX Power Supply Connectors
+3.3V for 3.3V PCI, 3.3V components.
+5V for processor VRM, PCI and other 5V components on the motherboard.
+5V dual for 5V based motherboard devices intended to be wakeup devices.

- +5VSB always present standby
- +12V Power Source for DC-FAN
- +1.8V for GMCH, ICH Chipset
- +2.5V for CPU CMOS and CKG
- +1.5V for CPU AGTL+BUS

System Management Monitor

NS PC87366 integrated control chip with on-board alarm of heat, fan and voltage. Reports to the operating system for system monitoring. Optional Intel LANDesk® Client Manager software

Physical Dimensions

Full-size ATX (7.5" x 12")
Double Row ATX Connectors

P3810-T/P3810E-T Motherboard Jumper Settings

JP4: Clear CMOS memory jumper

Use this 3-pin jumper to clear all the current data stored in the CMOS memory.

Function	Jumper Cap		
Clear CMOS	Short pins 1-2	●	3
Normal operation	Short pins 2-3	●	1

JP4

JP21 and JP22: Set System Bus Frequency

Use these two 3-pin jumpers to set the system bus frequency. In the normal setting, the system automatically selects the correct frequency according to the kind of processor installed. If you set the jumpers to one of the Force frequencies, the system will set the system bus to the selected frequency no matter what the correct frequency for the installed processor may be.

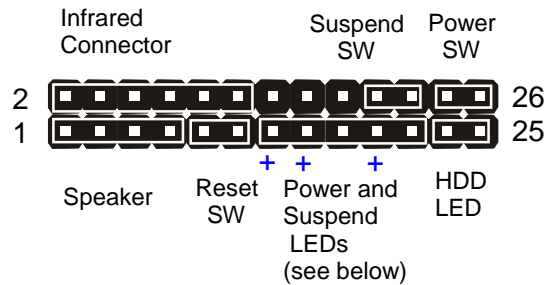
Function	Jumper JP21	Jumper J22
Normal operation	Short pins 1-2-3	Short pins 1-2
Force 66 MHz	● ● ●	Short pins 2-3
Force 100 MHz	● ● ●	Short pins 2-3
Force 133 MHz	Open all	Open all pins
Reserved	N/A	N/A

Note: Only the P3810E-T supports a system bus frequency of 133 MHz. You cannot force 133 MHz on the P3810-T motherboard.

Note: Default settings are shaded gray

J13: Panel Connector

Connect the switches and indicators from the case to the panel connector J13.



Note: If you short the pins 1-3 on J13, you can use the onboard buzzer and the speaker function is disabled.

Connecting Power and Suspend LEDs

One 3-pin cable with dual colors for Power & Suspend LEDs	Connect to pins 15-17-19
One 3-pin cable with single color for Power LED only	Connect to pins 15-17-19
One 2-pin cable for Power LED & one 2-pin cable for Suspend LED	Connect Power to pins 15-17 Connect Suspend to pins 19-21
One 3-pin cable for Power LED & one 2-pin cable for Suspend LED	Connect Power to pins 13-15-17 Connect Suspend to pins 19-21

Note: "Power LED State" to "Always On"
"Suspend LED State" to "Pulse Trigger"