

# OVERVIEW

Compaq ProLiant 3000R

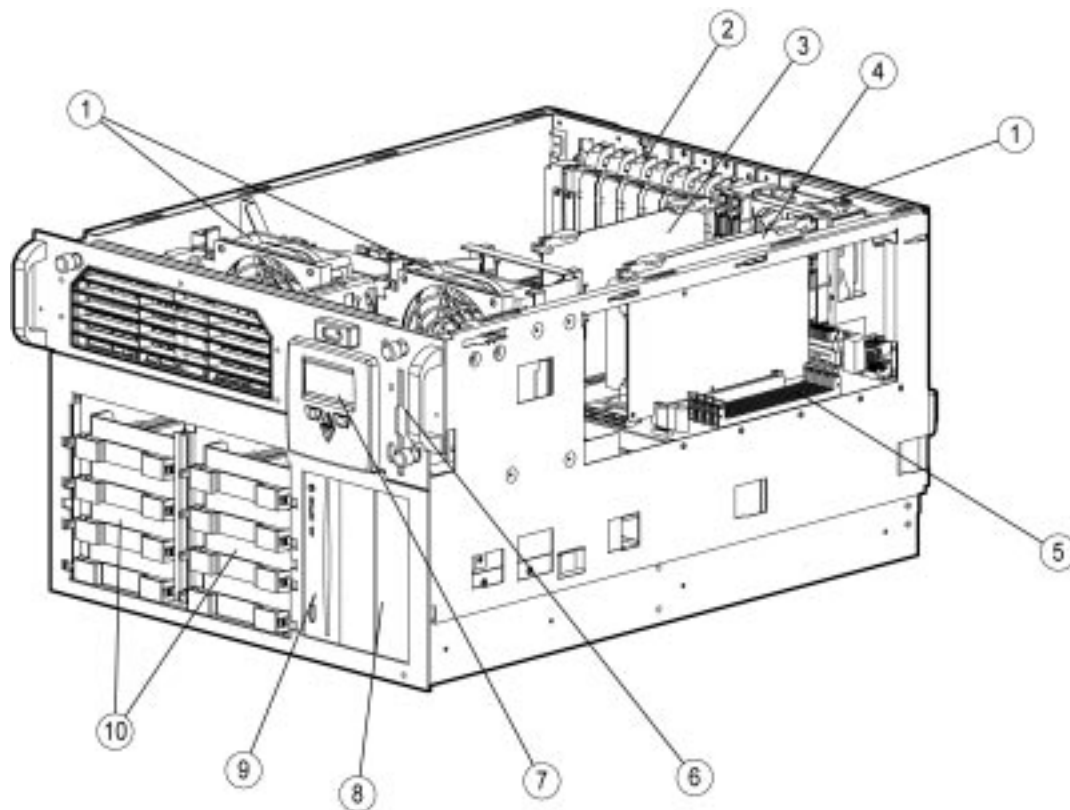
## BENEFITS AT A GLANCE

- Space-saving, rack-mountable form factor
- Intel Pentium® II processor 300 and 333 MHz (dual processor capability)
- 512-KB level 2 writeback cache per processor
- I<sub>2</sub>O Connector
- Highly Parallel System Architecture for improved system bandwidth
- ECC-protected memory bus and cache
- 64-MB of ECC EDO memory expandable to 512 MB and 3 GB<sup>1</sup>
- Five PCI and three shared PCI/EISA slots (eight total slots)
- Internal mass storage capacity up to 109.2 GB
- Compaq 10/100 TX PCI UTP Controller
- Integrated Dual Channel Wide-Ultra SCSI-3 Controller
- Integrated Remote Console (IRC)
- Automatic Recovery Server-2 (ASR-2)
- Integrated Management Display (IMD)
- 500/750 Watt Hot Pluggable Power Supply with optional Hot
- Hot Pluggable Redundant Power Supply (RPS)
- Pre-installed 16X Max<sup>2</sup> CD-ROM Drive IDE
- Compaq Insight Manager and SmartStart
- Protected by a three-year on-site limited warranty<sup>3</sup> and extended Pre-Failure Warranty<sup>3</sup> which covers Intel Pentium II processors, memory and disk drives, as well as a wide range of Compaq Services

<sup>1</sup> ProLiant 3000/R 6/333 only.

<sup>2</sup> Data transfer rates will vary from 150 KB/s to 2400 KB/s.

<sup>3</sup> Certain restrictions and exclusions apply. Consult the Compaq Customer Support Center for details.



1. Fans
2. I/O Slot Covers
3. Memory Board
4. Intel Pentium II Processor Board
5. System Board DIMM Memory Sockets
6. 3.5-inch Diskette Drive
7. Integrated Management Display (IMD)
8. 5.25-inch Removeable Media Bays
9. 16X Max<sup>2</sup> CD-ROM IDE
10. Hot Plug SCSI Drive Cage

# QUICK SPECS

Compaq ProLiant 3000R

## MODELS

**ProLiant 3000R 6/300  
512K (64 MB)**  
Model 1 Rack  
285150-001

**ProLiant 3000R 6/333  
512K (64 MB)**  
Model 1 Rack  
179750-001

## STANDARD FEATURES

### Processors

Intel Pentium® II processor 300 MHz  
Intel Pentium II processor 333 MHz

### Cache Memory

512-KB level 2 writeback cache per processor

### Upgradeability

Module upgradeable to dual processing  
Upgradeable to 100-MHz GTL bus and SDRAM technology

### Memory

64-MB of ECC EDO memory; ProLiant 3000R 6/300 is expandable to a maximum of 512 MB and ProLiant 3000R 6/333 is expandable to a maximum of 3 GB using industry-standard buffered DIMMs

### Expansion Slots

Five PCI slots and three shared PCI/EISA slots (eight total slots, seven available)

### Network Controller

Compaq 10/100 TX PCI UTP controller (uses one PCI slot)

### Storage Controllers

Integrated Dual Channel Wide-Ultra SCSI-3 Controller

### Storage and Expansion

Four removeable media bays: One 1.44-MB diskette drive (third height bay), one 16X Max<sup>1</sup> CD-ROM Drive IDE (occupies half height bay) and two available half height bays; capacity for 6 x 1.6-inch, 7 x 1-inch (simplex mode) or 8 x 1-inch (duplex mode) hot plug hard drives

### Maximum Storage

Internal: 109.2 GB (6 x 1.6-inch hot plug internal hard drives) using 18.2-GB hard drives  
External: 1.5 TB (12 ProLiant Storage Systems Model U1, each with 7 x 18.2-GB hard drives)  
Total: 1.7 TB

### Interfaces

Two serial ports, one parallel, hot plug keyboard, pointing devices (mouse), external Wide-Ultra SCSI-3, network (RJ-45), graphics

### Graphics

Integrated 1024 x 768, 256 color non-interlaced 1-MB video memory

### Form Factor

Rack (7U)

## Manageability

Compaq Insight Manager  
Compaq Remote Insight Board (optional)  
Automatic Server Recovery-2 (ASR-2)  
Integrated Remote Console (IRC)  
    Hardware Remote Console  
    Full Remote Server Reboot Capability  
    Reset and Failure Sequence Replay  
    Host Hardware Independent  
    Operating System Independent  
Integrated Management Display (IMD)  
Server Health Logging  
Revision History Table  
Automatic Revision Tracking  
Drive Parameter Tracking (with SMART-2 controller)  
Dynamic Sector Repairing (with SMART-2 controller)  
Recovery Server Option (optional)  
Off-Line Backup Processor  
Pre-Failure Warranty<sup>2</sup> (now covers Intel Pentium Pro and Pentium II processors as well as hard drives and memory)  
Redundant Fan Support (optional)

## Security

Power-on password; keyboard password; diskette drive control; diskette boot control; QuickLock, QuickBlank, Network Server Mode; parallel and serial interface control; administrator's password; disk configuration lock

## Server Setup and Management Software

SmartStart, the server configuration and software integration tool from Compaq, and Compaq Insight Manager, the comprehensive system management tool that monitors the operation of Compaq servers, workstations and clients, is shipped standard with Compaq ProLiant 3000R servers. Both SmartStart and Compaq Insight Manager are included in the Server Setup and Management pack.

## OS Support

Compaq ProLiant 3000R servers support Microsoft Windows NT, Novell NetWare, SCO UnixWare and OpenServer, IBM OS/2, Sun Solaris, and Banyan VINES operating systems.

## Power Supply

500/750 Watt Hot Plug Power Supply (single 500/750 Watt supports a fully configured system), optional Hot Plug Redundant Power Supply (RPS)

**STANDARD FEATURES** (continued)

**Service and Support**

Compaq Services provides a wide range of service offerings, including a three-year limited warranty<sup>2</sup> fully supported by a worldwide network of resellers and service providers, lifetime toll-free 7 x 24 hardware technical phone support, Pre-Failure Warranty<sup>2</sup> coverage of hard drives, memory and processor. Disaster recovery services are available through partnership with Comdisco.

**OPTIONS**

**Processor**

ProLiant 3000R 6/300 512K Processor Module	306589-B21
ProLiant 3000 6/333 512K Upgrade Kit	333555-B21
ProLiant 3000 Pentium II System Board Upgrade Kit (supported in 333 MHz only)	179766-B21

**Memory (DIMMs)**

32-MB Memory Kit (2 x 16-MB buffered EDO DIMMs)	149023-B21
64-MB Memory Kit (2 x 32-MB buffered EDO DIMMs)	149024-B21
128-MB Memory Kit (2 x 64-MB buffered EDO DIMMs)	149025-B21
256-MB Memory Kit (2 x 128-MB buffered EDO DIMMs)	149026-B21
512-MB Memory Kit <sup>3</sup> (2 x 256-MB buffered EDO DIMMs)	306541-B21

**Monitors**

V55 Color	308006-001
V75 Color	307710-001
P75 Color	307806-001
TFT450R Flat Panel Color	332662-001

**Diskette Drives**

1.44-Megabyte Diskette Drive (Third Height)	294164-B21
---	------------

**Optical Drives**

24X Max <sup>4</sup> CD-ROM	295545-B21
-----------------------------	------------

**Hard Drives**

**Wide Ultra SCSI-3 Drives – Hot Plug**

18.2-GB Wide-Ultra SCSI-3 10,000 rpm <sup>5</sup> Drive (1.6")	336358-B21
18.2-GB Wide-Ultra SCSI-3 Drive (1.6")	313756-B21
9.1-GB Wide-Ultra SCSI-3 10,000 rpm <sup>5</sup> Drive (1")	336357-B21
9.1-GB Wide-Ultra SCSI-3 Drive (1")	313706-B21
4.3-GB Wide-Ultra SCSI-3 10,000 rpm <sup>5</sup> Drive (1")	336356-B21
4.3-GB Wide-Ultra SCSI-3 Drive (1")	272577-001

**Hard Drives** (continued)

**Wide Ultra SCSI-3 Drives - Non-Hot Plug**

9.1-GB Wide-Ultra SCSI-3 Drive (1")	339509-B21
4.3-GB Wide-Ultra SCSI-3 10,000 rpm <sup>5</sup> Drive (1")	336368-B21
4.3-GB Wide-Ultra SCSI-3 Drive (1")	339506-B21

**Storage Controllers**

Compaq Dual Channel Wide-Ultra SCSI-3 Controller <sup>6</sup>	295554-B21
Wide-Ultra SCSI-3 Controller	272514-001
SMART-2DH Array Controller <sup>6</sup>	295242-B21
SMART-2SL Array Controller <sup>6</sup>	242776-B21

**Required Cabling**

For required cabling information, refer to Compaq website <http://www.compaq.com/products/servers/proliant3000r>.

**Cables/Cable Option Kit**

External Standard-to-Wide SCSI-2 Cable (6') <sup>7</sup>	189632-002
External Standard-to-Wide SCSI-2 Cable (12')	189632-003
Daisy Chain Cable <sup>8</sup>	199712-001
VHDCI 68-pin to standard 68-pin, 6' cable <sup>8</sup>	295644-B21
VHDCI 68-pin to standard 68-pin, 12' cable <sup>8</sup>	295645-B21
VHDCI 68-pin to standard 50-pin, 6' cable <sup>8</sup>	295646-B21
VHDCI 68-pin to standard 50-pin, 12' cable <sup>8</sup>	295647-B21
ProLiant 3000/5000 Cable Option Kit <sup>9</sup>	306585-B21
Wide-to-Narrow Adapter Option Kit	212055-001

**Fibre Channel Storage System**

Fibre Channel Array Kit (rack)	223100-001
Fibre Channel Storage Hub 12	295573-001
Fibre Channel Storage Hub 7	234453-001
Fibre Channel Host Controller Kit/P	223180-B21
Fibre Channel Host Controller Kit/E	262394-B21
GBIC-SW Connector Kit (two each)	234459-B21
2m Multi-Mode Fibre Channel Cable	234457-B21
5m Multi-Mode Fibre Channel Cable	234457-B22
15m Multi-Mode Fibre Channel Cable	234457-B23
Fibre Channel Array Redundant Power Supply	224206-001
Fibre Channel Array Tower to Rack Conversion Kit	297162-B21
Fibre Channel Storage Hub 7 Rack Conversion Kit	242795-B21
Upgrade Kit for ProLiant Storage System F and F1	296324-B21
Fibre Channel Troubleshooting Kit	234468-B21

**OPTIONS** *(continued)*

**External Storage**

Rack-Mountable ProLiant Storage System Model UE	348700-001
ProLiant Storage System Model F1 or U1 to Model UE Upgrade Kit	348718-B21
ProLiant Storage System Model F2 or U2 to Model UE Upgrade Kit	348706-B21
Rack-Mountable ProLiant Storage System Model U1	304100-B21
Rack-Mountable ProLiant Storage System Model U2	304100-B22
Wide-Ultra SCSI-3 Upgrade Kit Model U1	304148-B21
Wide-Ultra SCSI-3 Upgrade Kit Model U2	304149-B21
Rack-Mountable SCSI Storage Expander	165620-001
Conversion Kit, SB to DB	272830-001
Conversion Kit, DB to SB	272826-001
CD-Storage System (Rack)	306250-B21
ProLiant Storage System RPS	224206-001

**Server Recovery**

Recovery Server Option	213817-001
Recovery Server Option/U	304117-B21

**Tape Drives**

4/8-GB DAT Drive	295353-B21
12/24-GB DAT Drive	295524-B21
Internal 20/40-GB DLT Drive	340743-B21
External 20/40-GB DLT Drive	340744-B21
Internal 35/70-GB DLT Drive	242520-B21
External 35/70-GB DLT Drive	242521-B21

**DLT Libraries<sup>10</sup>**

DLT Tape Array Model 0	199860-001
DLT Tape Array II Model 35/70-4 no software (US)	295165-001
20/40 DLT Library Ready Drive	350364-B21
DLT Library 15 Cartridge <sup>11</sup> Model 20/40-1	350362-001
DLT Library 15 Cartridge <sup>11</sup> Model 20/40-2	350362-002
35/70 DLT Library Ready Drive	295557-B21
DLT Library 15 Cartridge <sup>11</sup> Model 35/70	350365-001
DLT Library 15 Cartridge <sup>11</sup> Model 35/70-2	350365-002
DLT Library Tabletop Conversion Kit <sup>11</sup>	295162-B21

**Communications**

Compaq NC3121 Fast Ethernet NIC PCI 10/100 WOL	323551-B21
Compaq NC3122 Fast Ethernet NIC PCI Dual 10/100	317450-B21
Compaq NC3131 Fast Ethernet NIC 64 PCI Dual Base 10/100	338456-B21

**Communications** *(continued)*

Compaq NC3132 Fast Ethernet Module Dual 10/100 Upgrade Module for NC3131	338456-B22
Compaq NC6132 Gigabit Module 1000 SX Upgrade Module for NC3131	338456-B23
Compaq 10/100 TX PCI UTP Controller	169845-001
Compaq 16/4 TX PCI IBM UTP/STP Controller	301206-B21
Compaq 10 T PCI UTP Controller	242500-001
Compaq 100 FDDI PCI SAS Fiber-SC Controller	242505-001
Compaq 100 FDDI PCI SAS UTP Controller	242507-001
Compaq 100 FDDI PCI DAS Fiber-SC Controller	242509-001
Compaq 100 FDDI PCI DAS UTP Controller	242511-001
Compaq Dual 10/100 TX PCI UTP Controller	242559-001
Compaq 10 T/2 PCI UTP/Coax Controller	292856-B21
Compaq 100 FDDI PCI SAS Fiber-MIC Controller	287728-001
Compaq 4/16 TR PCI UTP/STP Controller	268009-001
Compaq 10/100 TX PCI Intel UTP Controller	317600-B21
Compaq 10 T PCI Intel UTP Controller	317356-B21
Compaq 16/4 TR ISA IBM UTP/STP Controller	301207-B21
Compaq 56K ISA Fax Modem	294900-001

**Uninterruptible Power Supply**

Multi-Server UPS Card	242755-001
Scalable UPS Card	242756-001
Rack-Mountable UPS R3000 (100-127 VAC)	242705-001
Rack-Mountable UPS R1500	242704-001
Rack-Mountable UPS R3000h (200-230 VAC)	242705-002
Compaq Power Distribution Unit-Low Voltage PDU	295363-001

**Power Cords to Rack UPS**

IEC to IEC AC Power Cord - 2 Meter	142257-001
IEC to IEC AC Power Cord - 2.5 Meter	142257-002
IEC to IEC AC Power Cord - 3 Meter	142257-003
12' 208V Power Cord	188482-002

**Rack Conversion Kit**

Compaq ProLiant 3000 Tower to Rack Conversion Kit	306557-B21
---	------------

**OPTIONS** (continued)

**Racks**

Compaq Rack 7142 (42U)	165753-001
Compaq Rack 4136 (36U)	303656-001
Compaq Rack 7122 (22U)	163747-001

**Rack Options**

Rack Internal Trackball Keyboard	185152-001
Rack External Keyboard	187344-001
Monitor/Utility Shelf Kit	303606-B21
Keyboard Drawer	303607-B21
Keyboard/Monitor/Mouse Switch Box (4-Port)/1U	242694-001
Keyboard/Monitor/Mouse Switch Box (8-Port)/1U	242695-001
CPU to Switch Cable, 9'	165638-001
CPU to Switch Cable, 20'	165638-002
CPU to Switch Cable, 40'	165638-003
Keyboard/Monitor/Mouse Extension Cables	169989-001
Switch Box Connector Kit/1U	242691-001
Rack Blanking Panel Kit (15U)	169940-001
Rack Coupling Kit (for 42U Rack)	165664-001
Rack Sidewall Kit (for 42U Rack)	165652-001
Rack Stabilizing Feet (one kit needed for stand-alone 42U Rack)	189907-001
Rack Coupling Kit (for 36U Rack)	303657-B21
Rack Sidewall Kit (for 36U Rack)	303658-B21
Rack Stabilizing Feet (one kit needed for stand-alone 36U Rack)	303659-B21
Adjustable Fixed Rail Kit	332558-B21
Sliding Shelf Kit	332564-B21
<b>Redundant Options</b>	
Redundant Fan Kit	306558-B21
Compaq Hot Plug Redundant Power Supply	306592-B21

**Other**

Compaq Remote Insight Board	199748-001
Expedited Rack Delivery	184449-001
4-Cassette Magazine	199453-001
12-Cassette Magazine	137610-001
4.0-GB DDS2 DAT Cassette	137611-001
35/70-GB DLT Drive Cartridge (single)	295194-B21
35/70-GB DLT Drive Cartridge (7 pack)	295192-B21
DLT Magazine with five 35/70-GB DLT Tapes	295168-B21
Type IV DLT Drive Cartridge (single)	295194-B21
Type IV DLT Drive Cartridge (7 Pack)	295192-B21
5-Cartridge Magazine with five type IV DLT Cartridge	350383-B21
DAT 4mm Cleaning Cassette	242781-001
DLT Cleaning Cartridge	199704-001

<sup>1</sup> Data transfer rates will vary from 150 KB/s to 2400 KB/s.

<sup>2</sup> Certain restrictions and exclusions apply. Consult the Compaq Customer Support Center at 1-800-345-1518 for details.

<sup>3</sup> For use in ProLiant 3000R 6/333 only.

<sup>4</sup> Data transfer rates will vary from 150 KB/s to 3600 KB/s.

<sup>5</sup> For complete compatibility information, refer to the Compaq SCSI Hard Drive Compatibility table located at <http://www.compaq.com/products/servers/storage/drives/index/html>. Using hard drives in unsupported configurations will result in voiding of the warranty and could result in damage to the drive and/or loss of data.

<sup>6</sup> Order ProLiant 3000/5500 Cable Option Kit (306585-B21) when connecting more than one SCSI channel internally on these controllers.

<sup>7</sup> External Standard-to-Wide SCSI-2 Cable (6') needed when connecting external Autoloader to Fast-Wide SCSI-2 or Wide-Ultra SCSI-3 Controller.

<sup>8</sup> Required if connecting external device to Dual Channel Wide-Ultra Controller 295554-B21.

<sup>9</sup> This cable option kit contains the following cables:

19' point-to-point wide cables (2) used when cabling RAID or SCSI controllers to the SCSI backplane board.

32' 3 device wide cable used when cabling SCSI-3 controller to a removeable media bay.

8.75' external loop back cable used when attaching a SMART-2 controller via the external port in duplex mode.

<sup>10</sup> Anticipated performance of the DLT Library should be verified by using the Compaq Backup Configuration Tool, downloadable from the Compaq website at <http://www.compaq.com/products/servers/storage/cheyennetool.html> and with the DLT Library Performance Whitepaper ECG046/0298.

<sup>11</sup> The DLT 15 Cartridge Library Model 20/40 or Model 35/70 can be mounted in a Compaq rack. To use any model of the library on a tabletop, the customer would purchase one of the Library Models listed above and would also order the Tabletop Conversion Kit (Part #295162-B21) to provide metal top and side covers. Refer to the Compaq DLT Libraries QuickSpec for details.

DLT Library Model 20/40 or 35/70 includes one 20/40 DLT data cartridge or one 35/70 DLT data cartridge and three empty 5-cartridge magazines. US 350362-001/-002 (1 drive/2 drive) includes U.S. power cord, US 295555-001/-002 (1 drive/2 drive) includes U.S. power cord, Int'l -B31/B32 (1 drive/2 drive) CTO power cord for country ordering the unit.

# FEATURES

Compaq ProLiant 3000R

## Compaq ProLiant 3000R 6/300

## Compaq ProLiant 3000R 6/333

### System Unit

Microprocessor	Intel Pentium® II processor 300 MHz	Intel Pentium II processor 333 MHz
Upgradeability	Upgradeable to dual processing and upgradeable to 333-MHz Intel Pentium II processor <sup>1</sup>	Upgradeable to dual processing and upgradeable to 100-MHz GTL bus and SDRAM technology
Cache	512-KB level 2 writeback protected cache per processor	512-KB level 2 writeback protected cache per processor
Processor Slots	2	2
Expansion Slots		
I/O (Total)	8, 7 available	8, 7 available
PCI	5 (1 occupied by NIC; 4 available)	5 (1 occupied by NIC; 4 available)
Shared PCI/EISA	3	3
RAM		
Standard	64 MB	64 MB
Maximum	512 MB	3 GB

### Network Interface Controllers

Compaq 10/100 TX PCI UTP	Standard (occupies 1 PCI slot)	Standard (occupies 1 PCI slot)
Compaq NC3121 Fast Ethernet NIC PCI 10/100 WOL	Optional	Optional
Compaq NC3122 Fast Ethernet NIC PCI Dual 10/100	Optional	Optional
Compaq NC3131 Fast Ethernet NIC 64 PCI Dual Base 10/100	Optional	Optional
Compaq NC3132 Fast Ethernet Module Dual 10/100 Upgrade Module for NC3131	Optional	Optional
Compaq NC6132 Gigabit Module 1000 SX Upgrade Module for NC3131	Optional	Optional
Compaq 10/100 TX PCI UTP Controller	Optional	Optional
Compaq 16/4 TR PCI IBM UTP/STP Controller	Optional	Optional
Compaq 10 T PCI UTP Controller	Optional	Optional
Compaq 100 FDDI PCI SAS Fiber-SC Controller	Optional	Optional
Compaq 100 FDDI PCI SAS UTP Controller	Optional	Optional
Compaq 100 FDDI PCI DAS Fiber-SC Controller	Optional	Optional
Compaq 100 FDDI PCI DAS UTP Controller	Optional	Optional

	Compaq ProLiant 3000R 6/300	Compaq ProLiant 3000R 6/333
<b>Network Interface Controllers</b> <i>(continued)</i>		
Compaq Dual 10/100 TX PCI UTP Controller	Optional	Optional
Compaq 10 T/2 PCI UTP/Coax Controller	Optional	Optional
Compaq 100 FDDI EISA SAS Fiber-MIC Controller	Optional	Optional
Compaq 100 FDDI EISA SAS UTP Controller	Optional	Optional
Compaq 100 FDDI EISA DAS Fiber-MIC Controller	Optional	Optional
Compaq 100 FDDI EISA DAS UTP Controller	Optional	Optional
Compaq 100 FDDI PCI SAS Fiber-MIC Controller	Optional	Optional
Compaq 16/4 TR ISA IBM UTP/STP Controller	Optional	Optional
Compaq 4/16 TR PCI UTP/STP Controller	Optional	Optional
Compaq 10/100 TX PCI Intel UTP Controller	Optional	Optional
Compaq 10 T PCI Intel UTP Controller	Optional	Optional
Compaq 56K ISA Fax Modem	Optional	Optional
<b>Server Management</b>		
Compaq Insight Manager	Standard	Standard
Integrated Remote Console	Standard	Standard
Integrated Management Display	Standard	Standard
Automatic Server Recovery	Standard	Standard
Server Health Logs	Standard	Standard
Recovery Server Option	Optional	Optional
Compaq Remote Insight Board	Optional	Optional
<b>Storage</b>		
Diskette Drives	1.44 MB	1.44 MB
CD-ROM Drives		
Standard	16X Max <sup>2</sup> CD-ROM IDE	16X Max <sup>2</sup> CD-ROM IDE
Optional	IDE or SCSI	IDE or SCSI

Compaq ProLiant 3000R 6/300	Compaq ProLiant 3000R 6/333
-----------------------------	-----------------------------

**Storage** *(continued)*

Hard Drives<sup>3</sup>

Standard	None	None
Optional	Non-Hot Plug 4.3-GB Wide-Ultra SCSI-3, 4.3-GB Wide-Ultra 10,000 rpm <sup>4</sup> , 9.1-GB Wide-Ultra SCSI-3 Drives Hot Plug 4.3-GB Wide-Ultra SCSI-3, 4.3-GB Wide-Ultra SCSI-3 10,000 rpm <sup>4</sup> , 9.1-GB Wide-Ultra SCSI-3, 9.1-GB Wide-Ultra SCSI-3 10,000 rpm <sup>4</sup> , 18.2-GB Wide-Ultra SCSI-3, 18.2-GB Wide-Ultra SCSI-3 10,000 rpm <sup>4</sup> Drives	Non-Hot Plug 4.3-GB Wide-Ultra SCSI-3, 4.3-GB Wide-Ultra 10,000 rpm <sup>4</sup> , 9.1-GB Wide-Ultra SCSI-3 Drives Hot Plug 4.3-GB Wide-Ultra SCSI-3, 4.3-GB Wide-Ultra SCSI-3 10,000 rpm <sup>4</sup> , 9.1-GB Wide-Ultra SCSI-3, 9.1-GB Wide-Ultra SCSI-3 10,000 rpm <sup>4</sup> , 18.2-GB Wide-Ultra SCSI-3, 18.2-GB Wide-Ultra SCSI-3 10,000 rpm <sup>4</sup> Drives

Fibre Channel Storage System

Fibre Channel Array Kit (rack)	Optional	Optional
Fibre Channel Storage Hub 12	Optional	Optional
Fibre Channel Storage Hub 7	Optional	Optional
Fibre Channel Host Controller Kit/P	Optional	Optional
Fibre Channel Host Controller Kit/E	Optional	Optional
GBIC-SW Connector Kit (2 each)	Optional	Optional
2m Multi-Mode Fibre Channel Cable	Optional	Optional
5m Multi-Mode Fibre Channel Cable	Optional	Optional
15m Multi-Mode Fibre Channel Cable	Optional	Optional
Fibre Channel Array Redundant Power Supply	Optional	Optional
Fibre Channel Array Tower to Rack Conversion Kit	Optional	Optional
Fibre Channel Storage Hub 7 Rack Conversion Kit	Optional	Optional
Upgrade Kit for ProLiant Storage System F and F1	Optional	Optional
Fibre Channel Troubleshooting Kit	Optional	Optional

External Storage

Rack-mountable ProLiant Storage System ProLiant Storage System Models U1, U2 and UE	Optional	Optional
---	----------	----------



	Compaq ProLiant 3000R 6/300	Compaq ProLiant 3000R 6/333
<b>Storage <i>(continued)</i></b>		
Rack-mountable SCSI Storage Expander	Optional	Optional
CD-Storage System		
Rack Model	Optional	Optional
Maximum Storage Capacity		
Internal	109.2 GB (6 x 1.6-inch hot plug internal hard drives) using 18.2-GB hard drives	109.2 GB (6 x 1.6-inch hot plug internal hard drives) using 18.2-GB hard drives
External	1.5 TB (12 ProLiant Storage Systems Model/F1, each with 7 x 18.2-GB hard drives)	1.5 TB (12 ProLiant Storage Systems Model/F1, each with 7 x 18.2-GB hard drives)
Total	1.7 TB	1.7 TB
Tape Drives		
Optional	4/8-GB DAT, 12/24-GB DAT, 20/40GB DLT, 35/70-GB DLT, DLT 15 Cartridge Library Models 20/40-1, 20/40-2, 35/70-1 and 35/70-2	4/8-GB DAT, 12/24-GB DAT, 20/40GB DLT, 35/70-GB DLT, DLT 15 Cartridge Library Models 20/40-1, 20/40-2, 35/70-1 and 35/70-2
Controllers		
Standard	Integrated Dual Channel Wide-Ultra SCSI-3	Integrated Dual Channel Wide-Ultra SCSI-3
Optional	Dual Channel Wide-Ultra SCSI-3, Wide-Ultra SCSI-3, SMART-2SL Array, SMART-2DH Array	Dual Channel Wide-Ultra SCSI-3, Wide-Ultra SCSI-3, SMART-2SL Array, SMART-2DH Array
<b>Interfaces</b>		
Parallel	1	1
Serial	2	2
Pointing Device (mouse)	1	1
Graphics	1	1
Hot Plug Keyboard	1	1
External Wide-Ultra SCSI-3	1	1
Network		
RJ-45	1	1
<b>Graphics</b>		
Integrated 1024 x 768 by 256 color, 1-MB non-interlaced Video System	Standard	Standard
<b>Monitors</b>		
V55 Color	Optional	Optional
V75 Color	Optional	Optional
P50 Color	Optional	Optional
P75 Color	Optional	Optional
TFT450R Rackmount Flat Panel Color	Optional	Optional

	Compaq ProLiant 3000R 6/300	Compaq ProLiant 3000R 6/333
--	-----------------------------	-----------------------------

**LCD Displays**

Integrated Management Display	Standard	Standard
-------------------------------	----------	----------

**Keyboard**

Hot Plug Keyboard and Mouse	Optional	Optional
-----------------------------	----------	----------

**Compaq Software**

Compaq Insight Manager	Standard	Standard
Compaq SmartStart	Standard	Standard

**Supported System Software from Compaq**

Microsoft Windows NT Server 3.51	Supported	Supported
Microsoft Windows NT Server 4.0	Supported	Supported
Microsoft Windows NT Server Enterprise Edition 4.0	Supported	Supported
Microsoft Windows NT Server 4.0, Terminal Server Edition	Supported	Supported
Novell NetWare 3.20	Supported	Supported
Novell NetWare 4.2	Supported	Supported
Novell intraNetWare SMP	Supported	Supported
Novell NetWare 5	Supported	Supported
Novell intraNetWare for Small Business	Supported	Supported
Novell NetWare for Small Business 4.11	Supported	Supported
SCO OpenServer 5.0.x	Supported	Supported
SCO UnixWare 2.1.x	Supported	Supported
SCO UnixWare 7	Supported	Supported
IBM OS/2 2.x	Supported	Supported
IBM OS/2 2.11 SMP	Supported	Supported
IBM OS/2 Warp 3	Supported	Supported
IBM OS/2 Warp Connect 3	Supported	Supported
IBM LAN Server 3.01	Supported	Supported
IBM LAN Server 4.0	Supported	Supported
IBM OS/2 Warp 4	Supported	Supported
IBM OS/2 Warp Server 4	Supported	Supported
IBM OS/2 Warp Server Advanced 4	Supported	Supported
IBM OS/2 Warp Server Advanced 4 SMP	Supported	Supported
Sun Solaris 2.5x	Supported	Supported

**Compaq ProLiant 3000R 6/300**

**Compaq ProLiant 3000R 6/333**

**Supported System  
Software from Compaq**  
*(continued)*

Sun Solaris 2.6	Supported	Supported
Banyan VINES 6.0	Supported	Supported
Banyan VINES 7.0	Supported	Supported
Banyan VINES 8.0	Supported	Supported
Banyan VINES 8.5	Supported	Supported

<sup>1</sup> ProLiant 3000 6/333 Upgrade Kit part number 333555-B21.

<sup>2</sup> Data transfer rates will vary from 150 KB/s to 2400 KB/s.

<sup>3</sup> Hard drive specifications may vary slightly depending on vendor.

<sup>4</sup> For complete compatibility information, refer to the Compaq SCSI Hard Drive Compatibility table located at <http://www.compaq.com/products/servers/storage/drives/index/html>. Using hard drives in unsupported configurations will result in voiding of the warranty and could result in damage to the drive and/or loss of data.

# MEMORY

Compaq ProLiant 3000R

## Compaq ProLiant 3000R 6/300 (Model 1)

### STANDARD MEMORY

64 MB of buffered EDO DIMM memory (2 x 32-MB buffered EDO DIMMs)

Standard	Slot							
	1	2	3	4	5	6	7	8
64 MB	32 MB	32 MB						

### STANDARD MEMORY PLUS

#### OPTIONAL MEMORY

Support for up to 512 MB of buffered EDO DIMM memory is available with the optional installation of buffered EDO DIMM Memory Kits.

Up To	Slot							
	1	2	3	4	5	6	7	8
512 MB	32 MB	32 MB	32 MB	32 MB	64 MB	64 MB	128 MB	128 MB

### STANDARD MEMORY REPLACED

#### WITH OPTIONAL MEMORY

Support for up to 512 MB of buffered EDO DIMM memory is available with the removal of the standard 64 MB of buffered EDO DIMMs and the optional installation of buffered EDO DIMM Memory Kits.

Up To	Slot							
	1	2	3	4	5	6	7	8
512 MB	128 MB	128 MB	128 MB	128 MB				

**NOTE:** The Compaq ProLiant 3000R 6/300 only supports 512 MB of memory. If 512 MB is exceeded, the unit will display an error message. Memory must be installed in pairs.

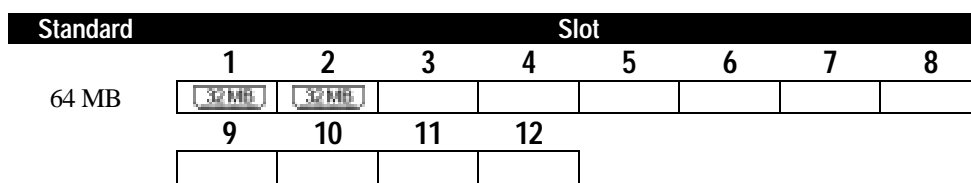
Following are memory options available from Compaq:

- 32-MB buffered EDO DIMM Memory Kit (2 x 16-MB buffered EDO DIMMs) 149023-B21
- 64-MB buffered EDO DIMM Memory Kit (2 x 32-MB buffered EDO DIMMs) 149024-B21
- 128-MB buffered EDO DIMM Memory Kit (2 x 64-MB buffered EDO DIMMs) 149025-B21
- 256-MB buffered EDO DIMM Memory Kit (2 x 128-MB buffered EDO DIMMs) 149026-B21

**Compaq ProLiant 3000R 6/333  
(Model 1)**

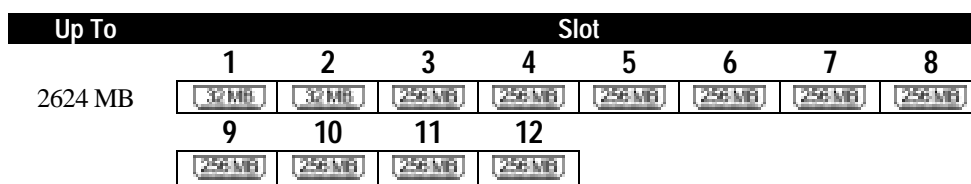
**STANDARD MEMORY**

64 MB of buffered EDO DIMM memory (2 x 32-MB buffered EDO DIMMs)



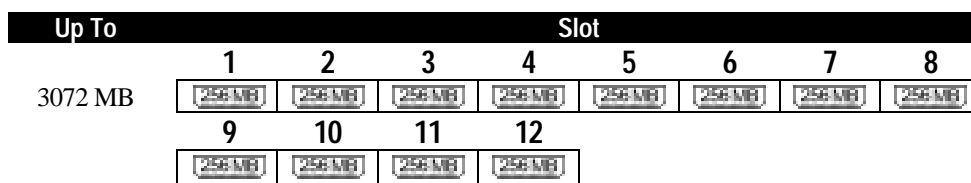
**STANDARD MEMORY PLUS  
OPTIONAL MEMORY**

Support for up to 2624 MB of buffered EDO DIMM memory is available with the optional installation of buffered EDO DIMM Memory Kits.



**STANDARD MEMORY REPLACED  
WITH OPTIONAL MEMORY**

Support for up to 3072 MB of buffered EDO DIMM memory is available with the removal of the standard 64 MB of buffered EDO DIMMs and the optional installation of buffered EDO DIMM Memory Kits.



**NOTE:** Memory must be installed in pairs.

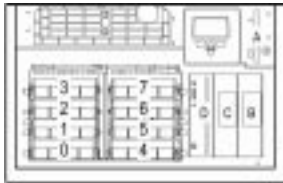
Following are memory options available from Compaq:

- 32-MB buffered EDO DIMM Memory Kit (2 x 16-MB buffered EDO DIMMs) 149023-B21
- 64-MB buffered EDO DIMM Memory Kit (2 x 32-MB buffered EDO DIMMs) 149024-B21
- 128-MB buffered EDO DIMM Memory Kit (2 x 64-MB buffered EDO DIMMs) 149025-B21
- 256-MB buffered EDO DIMM Memory Kit (2 x 128-MB buffered EDO DIMMs) 149026-B21
- 512-MB buffered EDO DIMM Memory Kit (2 x 256-MB buffered EDO DIMMs) 306541-B21

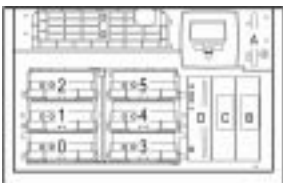
# STORAGE

Compaq ProLiant 3000R

## COMPAQ PROLIANT 3000R DRIVE SUPPORT



1-inch Drive Locations



1.6-inch Drive Locations

	Quantity Supported	Position Supported	Controller
<b>Removeable Media</b>			
1.44-MB Diskette Drive	Up to 1	A	Integrated
IDE CD-ROM Drive	Up to 2	B,C,D	Integrated IDE
<b>SCSI Hard Drives</b>			
<b>Non-Hot Plug</b>			
<b>1-inch Hard Drives</b> 4.3-GB, 4.3-GB 10,000 rpm <sup>1</sup> and 9.1-GB Wide-Ultra SCSI-3 Drives	Up to 3	B, C, D	Integrated Dual Channel Wide-Ultra SCSI-3, SMART-2SL Array, SMART-2DH Array, Wide-Ultra SCSI-3
<b>Hot Plug</b>			
<b>1-inch Hard Drives</b> 4.3-GB, 4.3-GB 10,000 rpm <sup>1</sup> , 9.1-GB and 9.1-GB 10,000 rpm <sup>1</sup> Wide-Ultra SCSI-3 Drives	Up to 7 (simplex)	0-6	Integrated Dual Channel Wide-Ultra SCSI-3, SMART-2SL Array, SMART-2DH Array, Wide-Ultra SCSI-3
<b>1.6-inch Hard Drives</b> 18.2-GB and 18.2-GB 10,000 rpm <sup>1</sup> Wide-Ultra SCSI-3 Drives	Up to 6		
<b>External Storage</b>			
ProLiant Storage System Models U1, U2 and UE	Up to 13	External	Integrated Dual Channel Wide-Ultra SCSI-3, SMART-2SL, SMART-2DH, Wide-Ultra SCSI-3
CD-Storage System	Up to 7	External	Integrated Dual Channel Wide-Ultra SCSI-3, Wide-Ultra SCSI-3
SCSI Storage Expander	Up to 3		
Fibre Channel Array Kit	Up to 12	External	Fibre Channel Host Controller
<b>Tape Drives</b>			
4/8-GB DAT, 12/24-GB DAT	Up to 2	B,C	Integrated Dual Channel Wide-Ultra SCSI-3, Wide-Ultra SCSI-3
Internal 20/40-GB DLT	1	B + C	Integrated Dual Channel Wide-Ultra SCSI-3, Wide-Ultra SCSI-3
Internal 35/70-GB DLT		(takes two bays)	
DLT Tape Array II Model 35/70	1 to 4	External	Integrated Dual Channel Wide-Ultra SCSI-3, Wide-Ultra SCSI-3
External 20/40-GB DLT	Up to 3	External	Integrated Dual Channel Wide-Ultra SCSI-3, Wide-Ultra SCSI-3
External 35/70-GB DLT	1 Library per		
DLT 15 Cartridge Library Models 20/40-1, 20/40-2, 3570-1 and 3570-2	SCSI channel		

## COMPAQ PROLIANT 3000R SUPPORTED TAPE DRIVE OPTIONS

Tape Drive	Novell NetWare 3.20 and intraNetWare	SCO UNIX	Banyan VINES	OS/2 and LAN Server	Microsoft Windows NT
4/8-GB DAT Drive	AS, JS, LG, SE	AO, UX	VN	ST	AS, NT, SE, LG
12/24-GB DAT Drive	AS, JS, LG, SE	AO, UX	VN	ST	AS, NT, SE, LG
20/40-GB DLT Drive	AS, JS, LG, SE	AO, UX	—	NV	AS, NT, SE
35/70-GB DLT Drive	AS, JS, LG, SE	AO, UX	—	NV	AS, NT, SE
DLT Tape Array II Model 35/70	LG	UX	—	—	LG
DLT 15 Cartridge Library Models 20/40-1, 20/40-2, 35/70-1 and 35/70-2	AS, JS, SE	AO, UX	—	—	AS, NT, SE

### Keys to Chart

AS	Computer Associates ARCserve	VN	Banyan VINES support for Compaq tape drives included in operating system
JS	Computer Associates JETserve		Banyan Vines support for the Integrated Dual Channel SCSI controller included with SmartStart
AO	Computer Associates ARCserve Open	UX	Device drivers for Compaq tape drives available from SCO in the SCO Compaq Supplement
LG	Legato Networker Software from Legato		
ST	Syos Plus software		
SE	Seagate Software Backup Exec	NT	Microsoft Windows NT support for Compaq tape drives included in operating system
		NV	Novastor Novaback for OS/2

<sup>1</sup> For complete compatibility information, refer to the Compaq SCSI Hard Drive Compatibility table located at <http://www.compaq.com/products/servers/storage/drives/index/html>. Using hard drives in unsupported configurations will result in voiding of the warranty and could result in damage to the drive and/or loss of data.

# TECHSPECS

Compaq ProLiant 3000R

## System Unit

<b>Dimensions</b> (HxWxD)	23.88 x 17.5 x 12.0 in/60.3 x 44.5 x 30.5 cm	
<b>Weight</b>		
No hard drives installed, two power supplies	71 lbs/31.95 kg	
<b>Input Requirements</b> (per power supply)		
Rated Input Voltage	100 to 120 VAC/200 to 240 VAC	
Rated Input Frequency	50 to 60 Hz	
Input Power	780W @ 110 VAC/1100W @ 220 VAC	
Rated Input Current	8A	
<b>Power Supply Output Power</b> (per power supply)		
Rated Steady-State Power	500 W/750 W (lowline/highline)	
Maximum Peak Power	540 W/780 W (lowline/highline)	
<b>Temperature Range</b>		
Operating	50° to 95°F/10° to 35°C	
Non-operating	-20 to 140°F/-30° to 60°C	
Shipping	-22° to 122°F/-30° to 60°C	
<b>Relative Humidity</b> (non-condensing)		
Operating	20% to 80%	
Non-operating	5% to 90%	
<b>Maximum Wet Bulb Temperature</b>	101.7°F/38.7°C	
<b>Acoustic Noise</b>	NPEL (BELS)	Average SPL (dBA)
IDLE (Fixed Disk Drives Spinning)	6.0	43
OPERATING (Random Seeks to Fixed Disks)	6.1	44

## 1.44-MB Diskette Drive

<b>Diskette Size</b>	3.5 in
<b>LED Indicators</b> (front panel)	Green
<b>Read/Write Capacity per Diskette</b> (high/low density)	1.44 MB/720 KB
<b>Drive Supported</b>	One
<b>Drive Height</b>	One-third
<b>Drive Rotation</b>	300 rpm
<b>Transfer Rate</b> (high/low)	500/250 Kb/s
<b>Bytes/Sector</b>	512
<b>Sectors/Track</b> (high/low)	18/9
<b>Tracks/Side</b> (high/low)	80/80
<b>Access Times</b>	
Track-to-Track (high/low)	3/6 ms
Average (high/low)	169/94 ms
Settling Time	15 ms
Latency Average	100 ms
<b>Cylinders</b> (high/low)	80/80
<b>Read/Write Heads</b>	Two

## Non-Hot Plug Drives

<b>Logical Capacity</b>	<b>4.3 GB</b> 4293.6 MB	<b>4.3 GB</b> 4293.6 MB	<b>9.1 GB</b> 9100.0 MB
<b>Height</b>	Third, 1 in	Third, 1 in	Third, 1 in
<b>Size</b>	3.5 in	3.5 in	3.5 in
<b>Interface</b>	Wide-Ultra SCSI-3	Wide-Ultra SCSI-3	Wide-Ultra SCSI-3
<b>Transfer Rate Synchronous (Max)</b>	40 MB/s	40 MB/s	40 MB/s
<b>Seek Time</b> (typical reads, including settling)			
Single Track	0.8 ms	0.8 ms	1.9 ms
Average	8.8 ms	5.4 ms	7.5 ms
Full Stroke	17.0 ms	12.2 ms	15.0 ms
<b>Rotational Speed</b>	7,200 rpm	10,000 rpm <sup>1</sup>	7,200 rpm
<b>Physical Configuration</b>			
Bytes/Sector	512	512	512
Logical Blocks	8,386,000	8,386,000	17,773,500
<b>Operating Temperature</b>	50° to 95°F/ 10° to 35°C	50° to 95°F/ 10° to 35°C	50° to 95°F/ 10° to 35°C

## Hot Plug

<b>Logical Capacity</b>	<b>4.3 GB</b> 4293.6 MB	<b>4.3 GB</b> 4293.6 MB	<b>9.1 GB</b> 9100.0 MB	<b>9.1 GB</b> 9100.0 MB	<b>18.2 GB</b> 18209.8 MB	<b>18.2 GB</b> 18209.8 MB
<b>Height</b>	Third, 1 in	Third, 1 in	Third, 1 in	Third, 1 in	Half, 1.6 in	Half, 1.6 in
<b>Size</b>	3.5 in	3.5 in	3.5 in	3.5 in	3.5 in	3.5 in
<b>Interface</b>	Wide-Ultra SCSI-3	Wide-Ultra SCSI-3	Wide-Ultra SCSI-3	Wide-Ultra SCSI-3	Wide-Ultra SCSI-3	Wide-Ultra SCSI-3
<b>Transfer Rate Synchronous (Max)</b>	40 MB/s	40 MB/s	40 MB/s	40 MB/s	40 MB/s	40 MB/s
<b>Seek Time</b> (typical reads, including settling)						
Single Track	0.8 ms	0.8 ms	0.8 ms	0.8 ms	0.9 ms	0.8 ms
Average	8.8 ms	5.4 ms	7.9 ms	5.4 ms	8.0 ms	5.7 ms
Full Stroke	17.0 ms	12.2 ms	17.0 ms	12.2 ms	18.0 ms	12.2 ms
<b>Rotational Speed</b>	7200 rpm	10,000 rpm <sup>1</sup>	7200 rpm	10,000 rpm <sup>1</sup>	7200 rpm	10,000 rpm <sup>1</sup>
<b>Physical Configuration</b>						
Bytes/Sector	512	512	512	512	512	512
Logical Blocks	8,386,000	8,386,000	17,773,500	17,773,500	35,566,000	35,566,000
<b>Operating Temperature</b>	50° to 95°F/ 10° to 35°C	50° to 95°F/ 10° to 35°C	50° to 95°F/ 10° to 35°C	50° to 95°F/ 10° to 35°C	50° to 95°F/ 10° to 35°C	50° to 95°F/ 10° to 35°C



**16X Max<sup>2</sup> CD-ROM  
Drive IDE**

<b>Disk</b>	
Applicable Disk	CD-ROM (Mode 1 and 2), CD-DA, CD-XA (Mode 2, Form 1 and 2), Photo CD (Single and Multi-session), Mixed Mode (Audio and Data Combined)
Capacity	550 MB (Mode 1, 12 cm), 640 MB (Mode 2, 12 cm)
Block Size	2048, 1024 bytes (Mode 1), 2340, 2336, 1024 bytes (Mode 2), 2352 bytes (CD-DA), 2328 bytes (CD-XA)
Diameter	4.7 in, 3.15 in / 12 cm, 8 cm
Rotational Speed	4200 rpm maximum
Center Hole	0.6 in/15 mm diameter
Thickness	1.2 mm
Track Pitch	1.6 $\mu$ m
<b>Interface</b>	IDE (ATAPI)
<b>Access Times</b> (typical)	
Random	100 ms
Full Stroke	200 ms
<b>Audio Output Level</b>	
Line Out	0.7 VRMS at 47 kOhms
Headphone	0.6 VRMS at 32 Ohms (maximum volume)
<b>Data Transfer Rate</b>	
Sustained	150 KB/s (single)
Burst	1200 - 2400 MB/s
<b>Cache Buffer</b>	128 KB
<b>Start-Up Time</b> (typical)	< 7 seconds
<b>Stop Time</b>	< 4 seconds
<b>Laser Parameters</b>	
Type	Semiconductor Laser GaAlAs
Wave Length	780 $\pm$ 25 nm
Divergence Angle	53.5 $^{\circ}$ $\pm$ 1.5 $^{\circ}$
Output Power	0.14 mW
<b>Operating Conditions</b>	
Temperature	41 $^{\circ}$ - 113 $^{\circ}$ F/5 $^{\circ}$ - 45 $^{\circ}$ C
Humidity	10% - 80%
<b>Dimensions</b>	
(HxWxD, maximum)	1.69 x 5.75 x 8.19 in/4.29 x 15.0 x 20.8 cm
<b>Weight</b>	2.66 lbs/1.2 kg

**Integrated Dual Channel  
Wide-Ultra SCSI-3  
Controller**

<b>Drives Supported</b>	Up to seven SCSI devices per channel
<b>Data Transfer Method</b>	32-bit PCI bus-master
<b>SCSI Channel Transfer Rate</b>	40 MB/s per channel
<b>Maximum Transfer Rate per PCI Bus</b> (peak)	133 MB/s
<b>SCSI Termination</b>	Active Termination
<b>SCSI Connectors</b>	1 external, (68-pin) 2 internal, (68-pin)

**Compaq 10/100 TX  
PCI UTP Controller**

<b>Network Interface</b>	10Base-T/100Base-TX
<b>Compatibility</b>	IEEE 802.3/802.3u compliant
<b>Data Transfer Method</b>	32-bit bus-master PCI
<b>Network Transfer Rate</b>	
10Base-T (Half-Duplex), 10Base-2	10 Mb/s
10Base-T (Full-Duplex)	20 Mb/s
100Base-TX (Half-Duplex)	100 Mb/s
100Base-TX (Full-Duplex)	200 Mb/s
<b>Connector</b>	RJ-45
<b>Cable Support</b>	
10Base-T	Categories 3, 4, or 5 UTP (2 or 4 pair); up to 100 meters (328 feet)
100Base-TX	Category 5 UTP (2 pair); up to 100 meters (328 feet)
<b>OS Driver Support</b>	Novell NetWare Server v 3.20, 4.1x, intraNetWare, SFT III, Novell NetWare DOS IBM LAN Server NDIS 3.0: Microsoft Windows NT, Windows 95, Windows for Workgroups SCO Unix

**Compaq Rack 7122 (22U)  
(optional)**

<b>Dimensions</b>	<b>Total Cabinet</b>	<b>Usable Area</b>	<b>Shipping</b>
Height	50.29 in/127.73 cm	38.5 in/97.79 cm	56.63 in/143.84 cm
Depth	33.5 in/85.09 cm	29 in/73.66 cm	48 in/121.92 cm
Width	24 in/60.96 cm	17.6 in/44.7 cm	32 in/81.28 cm
Weight	176 lbs/79.89 kg	—	225 lbs/102.13 kg

**Compaq Rack 4136 (36U)  
(optional)**

<b>Dimensions</b>	<b>Total Cabinet</b>	<b>Usable Area</b>	<b>Shipping</b>
Height	67.97 in/172.5 cm	63.05 in/160.02 cm	85.25 in/203.84 cm
Depth	34.49 in/87.55 cm	31.01 in/78.7 cm	33.5 in/85.09 cm
Width	23.56 in/59.8 cm	17.77 in/45.1 cm	24 in/60.96 cm
Weight	225 lbs/102.13 kg	—	234 lbs/106 kg

**Compaq Rack 7142 (42U)  
(optional)**

<b>Dimensions</b>	<b>Total Cabinet</b>	<b>Usable Area</b>	<b>Shipping</b>
Height	85.3 in/216.66 cm	73.5 in/186.69 cm	90.75 in/230.5 cm
Depth	33.5 in/85.09 cm	29 in/73.66 cm	48 in/121.92 cm
Width	24 in/60.96 cm	17.6 in/44.7 cm	32 in/81.28 cm
Weight	253 lbs/114.84 kg	—	325 lbs/147.52 kg

**OS Driver Support**

<b>Operating Systems</b>	<b>Current Drivers</b>	<b>Driver Location</b>
Microsoft Windows NT Server 3.51	NTSSD 1.32a	SmartStart CD and <a href="http://www.compaq.com">www.compaq.com</a> <sup>3</sup>
Microsoft Windows NT Server 4.0	NTSSD 2.10a	SmartStart CD and <a href="http://www.compaq.com">www.compaq.com</a> <sup>3</sup>
Microsoft Windows NT Server, Enterprise Edition 4.0	NTSSD 2.10a	SmartStart CD and <a href="http://www.compaq.com">www.compaq.com</a> <sup>3</sup>
Microsoft Windows NT Server 4.0, Terminal Server Edition	NTSSD 2.10a	SmartStart CD and <a href="http://www.compaq.com">www.compaq.com</a> <sup>3</sup>
Novell NetWare 3.20	NSSD 5.01	SmartStart CD and <a href="http://www.compaq.com">www.compaq.com</a> <sup>3</sup>
Novell NetWare 4.2	NSSD 5.01	SmartStart CD and <a href="http://www.compaq.com">www.compaq.com</a> <sup>3</sup>
Novell intraNetWare SMP	NSSD 5.01	SmartStart CD and <a href="http://www.compaq.com">www.compaq.com</a> <sup>3</sup>

**OS Driver Support**  
 (continued)

<b>Operating Systems</b>	<b>Current Drivers</b>	<b>Driver Location</b>
Novell NetWare 5	NSSD 5.01	www.compaq.com <sup>3</sup>
Novell intraNetWare for Small Business	NSSD 3.22	SmartStart CD and www.compaq.com <sup>3</sup>
Novell NetWare for Small Business 4.11	NSSD 5.01	SmartStart CD and www.compaq.com <sup>3</sup>
SCO OpenServer 5.0.x	EFS 5.22	SmartStart CD and www.compaq.com <sup>3</sup>
SCO UnixWare 2.1.x	EFS 2.22	SmartStart CD and www.compaq.com <sup>3</sup>
SCO UnixWare 7	EFS 7.22	SmartStart CD and www.compaq.com <sup>3</sup>
IBM OS/2 2.x	OS2SSD 3.10 NICSSD 1.00	SmartStart CD and www.compaq.com <sup>3</sup>
IBM OS/2 2.11 SMP	OS2SSD 3.10 NICSSD 1.00	SmartStart CD and www.compaq.com <sup>3</sup>
IBM OS/2 Warp 3	OS2SSD 3.10 NICSSD 1.00	SmartStart CD and www.compaq.com <sup>3</sup>
IBM OS/2 Warp Connect 3	OS2SSD 3.30A NICSSD 1.20A	SmartStart CD and www.compaq.com <sup>3</sup>
IBM LAN Server 3.01	OS2SSD 3.10 NICSSD 1.00	SmartStart CD and www.compaq.com <sup>3</sup>
IBM LAN Server 4.0	OS2SSD 3.10 NICSSD 1.00	SmartStart CD and www.compaq.com <sup>3</sup>
IBM OS/2 Warp 4	OS2SSD 3.30A NICSSD 1.20A	SmartStart CD and www.compaq.com <sup>3</sup>
IBM OS/2 Warp Server 4	OS2SSD 3.30A NICSSD 1.20A	SmartStart CD and www.compaq.com <sup>3</sup>
IBM OS/2 Warp Server Advanced 4	OS2SSD 3.30A NICSSD 1.20A	SmartStart CD and www.compaq.com <sup>3</sup>
IBM OS/2 Warp Server Advanced SMP 4	OS2SSD 3.30A NICSSD 1.20A	SmartStart CD and www.compaq.com <sup>3</sup>
Sun Solaris X86 2.5x	CDU 1.2.1/DU11	http://access1.sun.com/drivers/
Sun Solaris X86 2.6	CDU 1.2.1/DU3	http://access1.sun.com/drivers/
Banyan VINES 6.0	PAT 3.02 LAT 3.01	SmartStart CD and www.compaq.com <sup>3</sup>
Banyan VINES 7.0	PAT 3.03 LAT 3.02	SmartStart CD and www.compaq.com <sup>3</sup>
Banyan VINES 8.0	PAT 3.03 LAT 3.02	SmartStart CD and www.compaq.com <sup>3</sup>
Banyan VINES 8.5	PAT 3.03 LAT 3.02	SmartStart CD and www.compaq.com <sup>3</sup>

<sup>1</sup> For complete compatibility information, refer to the Compaq SCSI Hard Drive Compatibility table located at <http://www.compaq.com/products/servers/storage/drives/index/html>. Using hard drives in unsupported configurations will result in voiding of the warranty and could result in damage to the drive and/or loss of data.

<sup>2</sup> Data transfer rates will vary from 150 KB/s to 2400 KB/s.

<sup>3</sup> Punch-out diskettes only.