

PRM-0084I VBX

High Performance

Pentium II PCI Mainboard

User's Guide



Edition 1.10

© 1998 DTK Computer, Inc.

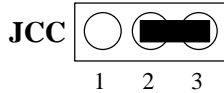
P/N: 155100-8732



EPA POLLUTION PREVENTER

WARNING

For the system to operate normally, please make sure JCC of the mainboard is set as below. Refer to Fig. 2 in this manual for the location JCC.



If JCC is shorted to 1-2, no CMOS data can be retained.

CAUTION

The motherboard is an electrostatic sensitive device. Don't open or handle except at a static-free workstation.

POWER OFF

It needs to hold the power switch 4 seconds to turn off the power.

Windows, MS-DOS, and MS Word are trademarks of Microsoft Corporation.

Novell, Netware are trademarks of Novell, Inc.

Lotus, 1-2-3, and Symphony are trademarks of Lotus Development Corporation.

PC, AT, PC-DOS, OS/2 and Presentation Manager are trademarks of IBM Corporation.

UNIX is the trademark of AT&T.

Intel i82440BX and Pentium II are registered trademark of Intel Corporation.

All other brand and product names are trademarks or registered trademarks of their respective companies.

The information presented in this publication has been carefully checked for reliability; however, no responsibility is assumed for inaccuracies, whereas, specification is subjected to change without notice.

JUMPERLESS QUICK SETUP PROCEDURES

1. Insert the Pentium® II CPU correctly.
2. Plug in other configurations and restore the system.
3. Press key and switch on power to the system to enter BIOS setup.
4. Enter “CPU Speed Setting” Menu to setup CPU speed.
Note: If you do not set CPU speed; your system will run at the lowest setting (133MHz for Pentium® II)
5. Save and exit BIOS setup, your system can now boot successfully.

JUMPERLESS CPU SETUP MENU

Select <CPU Speed Setting> item from the main menu and enter the sub-menu:

ROM PCI/ISA BIOS (2A6LGG3A)
CPU FEATURES SETUP
AWARD SOFTWARE, INC.

CPU Speed	: 350MHz (100x3.5)	
		ESC: Quit ↑ ↓ → ←: Select Item F1: Help PU/PD/+/-: Modify F5: Old Values (Shift)F2: Color F7: Load Setup Defaults

WARNING

Don't set CPU frequency higher than is working frequency. If you do, we will not be responsible for any damage caused.

CONTENTS

CHAPTER 1	INTRODUCTION	6
CHAPTER 2	JUMPER SETTINGS	9
2.1	JUMPERS PRESENTATION	9
2.2	GRAPHICAL DESCRIPTION OF JUMPER SETTINGS	10
2.3	JCC - CLEAR CMOS DATA	11
2.4	JP2 – CPU SPEED PROTECTION	11
2.5	MEMORY CONFIGUARTION	11
CHAPTER 3	CONNECTOR CONFIGURATION	13
3.1	MULTIPLE FUNCTION JUMPER	14
3.2	IRDA - IrDA CONNECTOR	17
3.3	IDE1/IDE2 – PRIMARY/SECONDARY IDE CONNECTORS	17
3.4	FLOPPY - FLOPPY DRIVE CONTROLLER	17
3.5	CPUFAN – CPU FAN CONNECTOR	17
3.6	BAKFAN – BAKE FAN CONNECTOR	17
3.7	CHSFAN – CHASIS FAN CONNECTOR	18
3.8	WOL – WAKE UP ON LAN	18
3.9	WOM – WAKE UP ON MODEM	18
3.10	SLOT 1 FOR PENTIUM II CPU	18
3.11	SJ4 – CD-ROM AUDIO CONNECTOR (MITSUMI/PANASONIC)	19
3.12	SJ6 – CD-ROM AUDIO CONNECTOR (SONY)	19
3.13	J1 - ATX POWER SUPPLY CONNECTOR	19
3.14	PS/2 KEYBOARD CONNECTOR	20
3.15	PS/2 MOUSE CONNECTOR	20
3.16	UNIVERSAL SERIAL BUS PORT 0 & 1	20
3.17	SERIAL PORT COM1 & COM2	20
3.18	PARALLEL PORT CONNECTOR	20
3.19	AUDIO PORT CONNECTOR	21
3.20	RETENTION MECHANISM KITS INSTALLATION GUIDE	21
3.21	OPTIONAL HEATSINK SUPPORT INSTALLATION GUIDE	24
CHAPTER 4	AWARD BIOS SETUP GUIDE	26
4.1	AWARD BIOS SETUP	26
4.2	STANDARD CMOS SETUP	28
4.3	BIOS FEATURES SETUP	29
4.4	CHIPSET FEATURES SETUP	31
4.5	POWER MANAGEMENT SETUP MENU	33
4.6	PNP/PCI CONFIGURATION	35
4.7	INTEGRATED PERIPHERALS SETUP MENU	37
4.8	LOAD SETUP DEFAULTS MENU	39
4.9	SUPERVISOR PASSWORD	39
4.10	USER PASSWORD	39
4.11	IDE HDD AUTO DETECTION	40

4.12	SCSI HARD DISK INSTALLATION	40
4.13	SAVE & EXIT SETUP MENU	40
4.14	EXIT WITHOUT SAVING MENU	40
CHAPTER 5	SOFTWARE INSTALLATION	41
5.1	VIA BUS MASTER PCI IDE DRIVER FOR WINDOWS 95/ WINDOWS 98	41
5.2	AGP VxD SETUP PROGRAM	41
5.3	VIA PCI MINIPORT DRIVER SETUP PROGRAM	41
5.4	VIA POWER MANAGEMENT CONTROLLER SETUP PROGRAM	42
5.5	SOUND DRIVER INSTALLATION	42
5.6	THE YSTATION APPLICATION FOR WINDOWS 95/WINDOWS 98	43
CHAPTER 6	FLASH AND DMI UTILITY	44
6.1	AWARD FLASH UTILITY	44
6.2	DESKTOP MANAGEMENT INTERFACE (DMI) OVERVIEW	46
APPENDIX A	QUICK GUIDE	50

Preface

The motherboard is a 4 layer, Micro ATX form factor high performance green Pentium II PCI/AGP mainboard with 100MHz Front Side Bus supports. It includes VIA Apollo Pro system chipset, Winbond W83977EF Super I/O controller, Yamaha YMF740 Sound Chip.

Features

Processor

- Intel Pentium II series.
- The mainboard can run with following speeds:
233, 266, 300, 333, 350, 400 and 450MHz

Chipset

- VIA VT82C691 (PCI A.G.P. Controller)
- VIA VT82C596 (PCI ISA IDE Xcelerator)
- Winbond W83977EF (Super I/O Controller)
- Winbond W83781D (optional)
- Yamaha YMF740 (Audio Drive Sound Controller)

Main Memory

- 3 DIMM socket constitute 6 memory banks.
- DIMM Type – 16/64/128/256MB 168-pin 3.3V unbuffered SDRAM with SMBus connections for memory detection.
- ECC Functions ensure data correction and integrity (SDRAM only).
- Memory Configurations up to 768MB.
- 100MHz SDRAM support.

Architecture

- ISA, IBM PC/AT and PCI 2.1 compatible.

Power Management Feature

- True green functions support SMM, SMI and CPU stop clock.
- ACPI/PC 97 compatible.
- H/W monitoring: CPU Voltage, System Temp., Fan Speed
- LAN, Modem & keyboard wake up function.

Multi I/O

- On board Multi-I/O supports two serial, one parallel ports and floppy drive controller.
- Serial ports are 16550 Fast UART compatible.
- Parallel port has EPP and ECP capabilities.
- PS/2 keyboard and PS/2 mouse connector is provided.
- IrDA supported.
- USB supported.

Accelerated Graphics Port (AGP) Interface

- A.G.P. specification compliant
- A.G.P. 66/133MHz devices supported

PCI IDE

- On board supports PCI Master IDE Controller, two connectors support up to four IDE devices such as HDD, CD ROM drive and Tape Back-up drives, etc.
- PCI Master IDE controller supports PIO Mode 3 and 4 devices, I/O data transfer rate can be up to 16.6MB/s.
- Ultra DMA Mode supported. Transfer rate can be up to 33MB/s.

Sound Controller (Optional)

- PCI 2.1 complaint.
- PC97/PC98 specification compliant.
- PCI Bus Power Management Rev. 1.0 compliant.
- PCI Bus Master for PCI Audio.
- Supports PC/PCI for legacy DMAC emulation.
- Legacy Audio compatibility.
- Support AC-2 Interface (AC-Link).

Others

- Jumperless function.
- H/W Reset protection.

System BIOS

- Award BIOS (128KB Flash ROM)

Slots

- One AGP slot
- Three PCI slots (1 shared)
- One ISA slots (1 shared)

Form Factor

- Micro ATX Form Factor Size (244mm x 188mm) 4 Layer

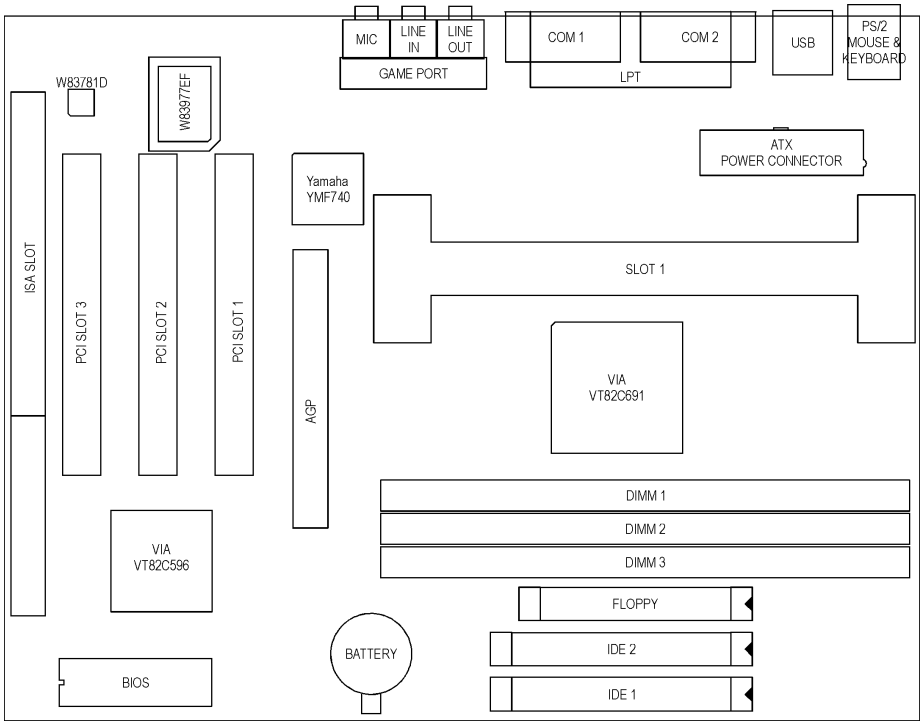


Fig. 1 Key Components of the Mainboard

2.1 JUMPERS PRESENTATION



1 2 3

Pins 1 and 2 are shorted with a jumper cap.



1 2 3

Pins 2 and 3 are shorted with a jumper cap.



The jumper is shorted when the jumper cap is placed over the two pins of the jumper.



The jumper is open when the jumper cap is removed from jumper.

2.2 GRAPHICAL DESCRIPTION OF JUMPER SETTINGS

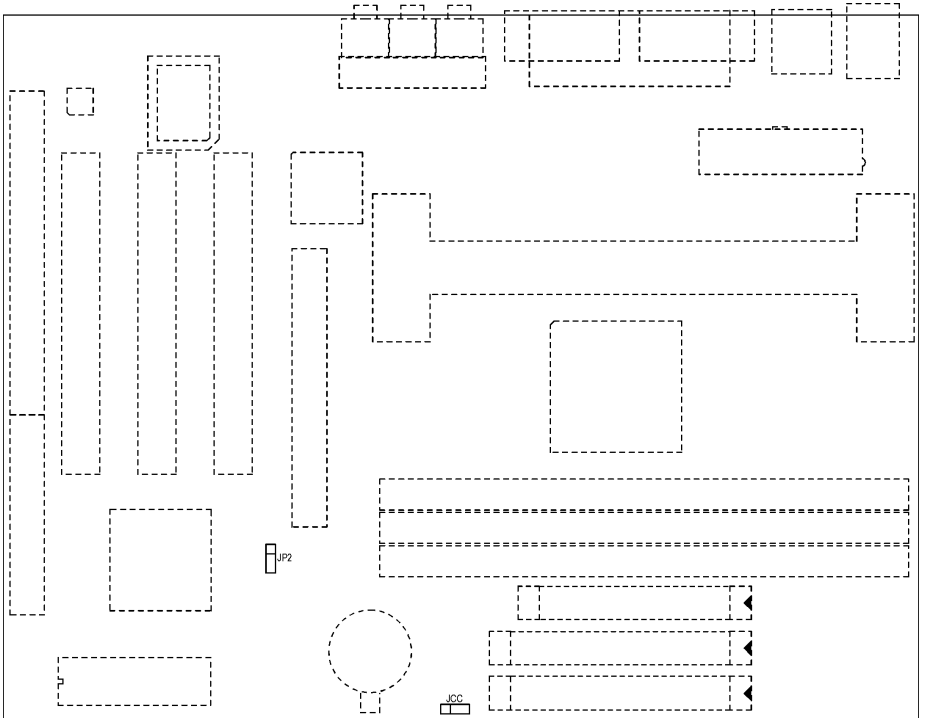


Fig. 2 Jumper Location of the mainboard

2.3 JCC - CLEAR CMOS DATA

JCC is used to clear the content of the CMOS Data in the RTC (build in PIIX4 chip).



JCC	Description
 1	Normal
 1	Clear CMOS Data

Table 1: Clear CMOS Data

Note: You must power down the AC supply (111/220V) when you want to clear CMOS.

2.4 JP2 – CPU SPEED PROTECTION

This jumper sets CPU speed can change or not.

JP2	CPU Speed
2-3	selection
1-2	show only

Table 2

2.5 MEMORY CONFIGUARTION

The mainboard lets user upgrade system memory via DIMM sockets on the mainboard. On board memory is located in six banks: Bank 0 - 5. Three DIMM sockets are provided for Synchronous DRAM. Table 3 provides the typical memory configurations supported by the mainboard.

The maximum memory size is up to 768MB (SDRAM). The size of each DIMM can be 8MB, 16MB, 32MB, 64MB, 128MB or 256MB.

Bank 0/1 (DIMM2)	Bank 2/3 (DIMM1)	Bank 4/5 (DIMM3)
Installed	None	None
None	Installed	None
None	None	Installed
Installed	Installed	None
Installed	None	Installed
None	Installed	Installed
Installed	Installed	Installed

Table 3

CHAPTER 3

CONNECTOR CONFIGURATION

Once the mainboard has been fastened into system case, the next step is to connect the internal cables. The internal cables are wire leads with plastic female connectors that attach to the connectors. The mainboard connectors have varying numbers of pins and are the points of contact between the mainboard and other parts of the computer.

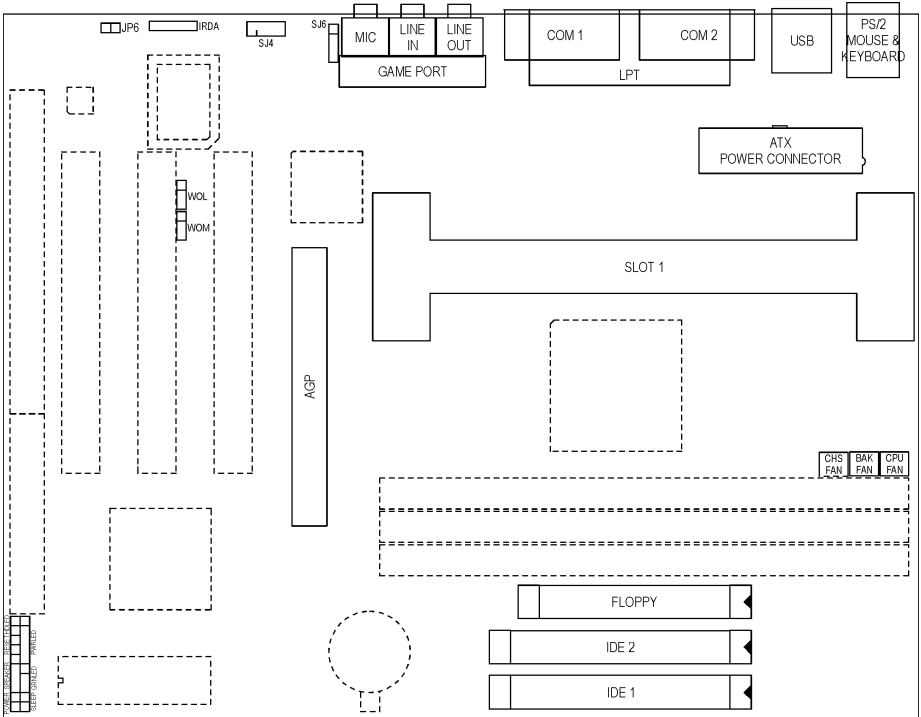


Fig 3 Connector Location

3.1 MULTIPLE FUNCTION JUMPER

Multiple function jumper includes speaker, reset, keylock, harddisk LED, ATX power switch, green LED and sleep switch.

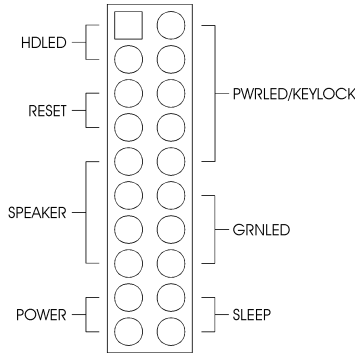


Fig. 4a Multiple Function Jumper

- **RESET – RESET SWITCH CONNECTOR**

Attach the Reset switch cable to this connector. The Reset switch restarts the system.

- **POWER – POWER ON/OFF SWITCH**

It is used to switch on or off the ATX power supply. The power is turned on by short the power switch once. It needs to hold the power switch about 4 seconds to turn it off when it has not start to display.

- **SLEEP – HARDWARE GREEN CONNECTOR**

Sleep is for SMI Break switch setting. When Sleep is trigger from Open to Close and back to Open, the system would suspend immediately.

- **HDLED – HDD LED CONNECTOR**

It is usually connected to a HDD LED on front of the system case. If the HDD is in operation, the indicator lights during operation.

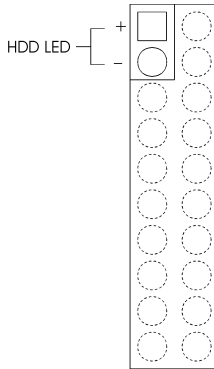


Fig. 4b HDD LED Connector

- **SPEAKER – SPEAKER CONNECTOR**

Speaker is a four-pin connector, which is used to connect the system speaker.

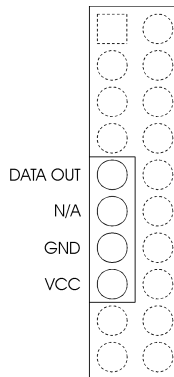


Fig. 4c Speaker Connector

- **PWRLED – POWER LED AND KEYLOCK CONNECTOR**

Attach the power led cable to this connector. If the system is power on, the indicator lights.

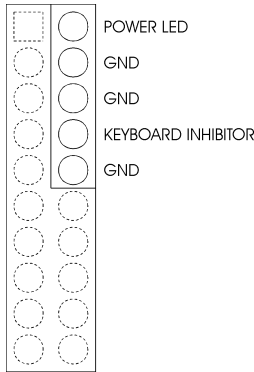


Fig. 4d Power LED & Keylock Connector

- **GRNLED – GREEN LED CONNECTOR**

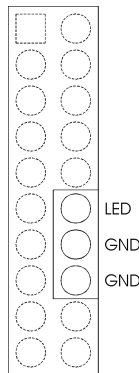


Fig. 4e Green LED Connector

3.2 IRDA - IrDA CONNECTOR

It is an IrDA connector that uses UART2 as interface of IrDA Infrared and ASKIR.

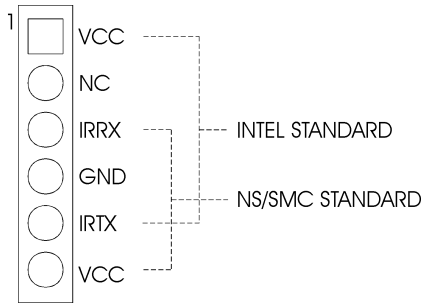


Fig. 5 IrDA Connector

3.3 IDE1/IDE2 – PRIMARY/SECONDARY IDE CONNECTORS

These connectors support the provided IDE hard disk ribbon cable. After connecting the single end to the board, connect the two plugs on the other end to your hard disk or other device.

3.4 FLOPPY - FLOPPY DRIVE CONTROLLER

This connector supports the floppy drive ribbon cable. After connecting the single end to the board, connect the two plugs on the other end to the floppy drive.

3.5 CPUFAN – CPU FAN CONNECTOR

It is a three-pin connector, which is used to connect with the CPU Fan Power cable.

3.6 BAKFAN – BAKE FAN CONNECTOR

It is a three-pin connector, which is used to connect with the Bake Fan Power cable.

3.7 CHSFAN – CHASIS FAN CONNECTOR

It is a three-pin connector, which is used to connect with the Chassis Fan Power cable.

3.8 WOL – WAKE UP ON LAN

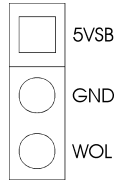


Fig. 6 Wake up On LAN

3.9 WOM – WAKE UP ON MODEM

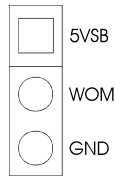


Fig. 7 Wake up On Modem

3.10 SLOT 1 FOR PENTIUM II CPU



Fig. 8 Slot 1 for Pentium II CPU

3.11 SJ4 – CD-ROM AUDIO CONNECTOR (MITSUMI/PANASONIC)

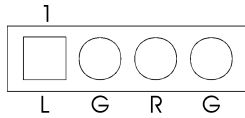


Fig. 9 CD-ROM Audio

3.12 SJ6 – CD-ROM AUDIO CONNECTOR (SONY)

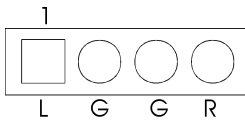


Fig. 10 CD-ROM Audio

3.13 J1 - ATX POWER SUPPLY CONNECTOR

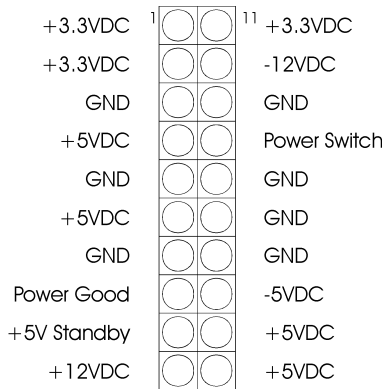


Fig. 11 ATX Power Supply Connector

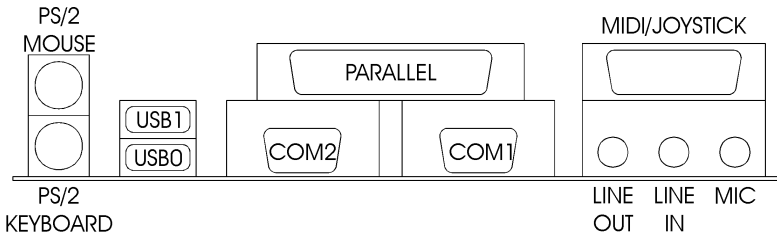


Fig. 12 I/O Connector

3.14 PS/2 KEYBOARD CONNECTOR

This connector is a six-pin female mini DIN connector using a PS/2 plug. If a standard AT size keyboard plugs, you may use the DIN to mini DIN adaptor.

3.15 PS/2 MOUSE CONNECTOR

This connector is a six-pin female mini DIN connector using a PS/2 plug. Plug the jack on the PS/2 keyboard cable into this connector.

3.16 UNIVERSAL SERIAL BUS PORT 0 & 1

These connectors are two four pin female sockets which are available for connecting USB device.

3.17 SERIAL PORT COM1 & COM2

This is a D-Type 9 pin male connector for pointing devices or other serial devices.

3.18 PARALLEL PORT CONNECTOR

This is a D-Type 25 pin female connector.

3.19 AUDIO PORT CONNECTOR

Three 1/8" female connectors used as line out, line in and microphones. **Line Out** can be connected to headphones or *powered speakers*. **Line In** allows tape players or other audio sources to be recorded by your computer or played through the Line Out. **MIC** allows microphones to be connected for inputting voice.

3.20 RETENTION MECHANISM KITS INSTALLATION GUIDE

Retention Mechanism Kits includes following components:

1. Retention mechanism Assembly

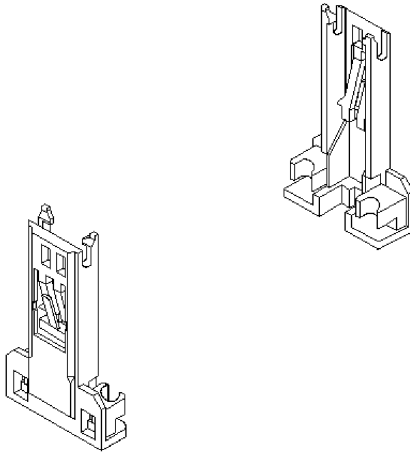


Fig. 13

2. Retention Mechanism Attach Mount

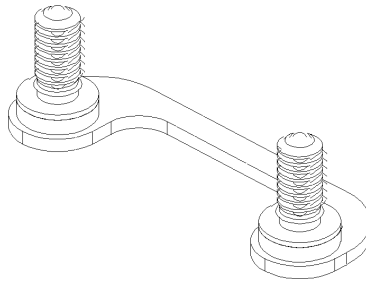


Fig. 14

3. Before the installation of RM Kits find the six holes on the motherboard for RM installation. The hole position and usage is as following:

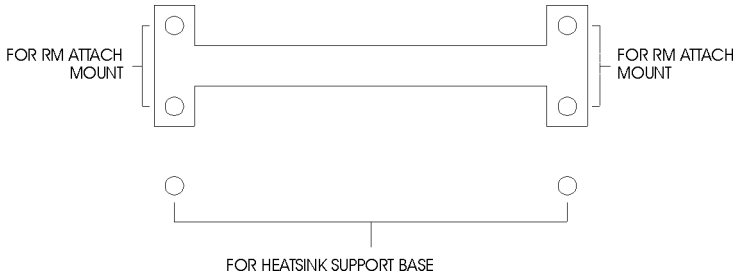


Fig. 15

Installation Guide

- a) Mount the two RM Attach Mounts onto the motherboard from bottom side. These mounts will be used to attach the RM Assembly.
- b) Put the RM Assembly on the Slot 1 and use the four screws to fix RM Assembly to the RM Attach Mount.

c) Please refer to the diagram for the installation of Pentium II CPU

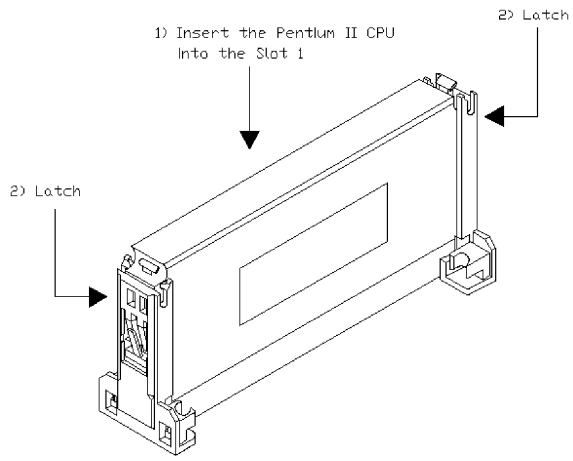


Fig. 16a

d) Please refer to the diagram for the installation of Celeron CPU or Pentium II in SECC2 package.

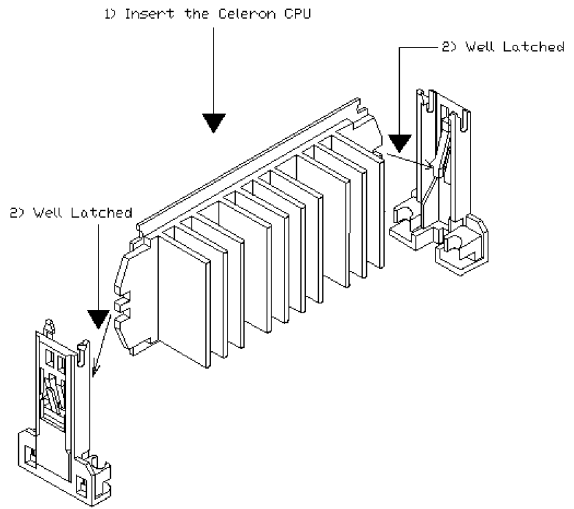


Fig. 16b

3.21 OPTIONAL HEATSINK SUPPORT INSTALLATION GUIDE

Optional Heatsink Support includes following components:

1. Heatsink Top Support

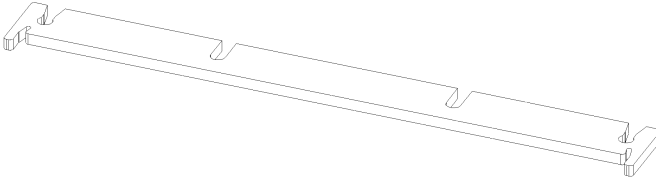


Fig. 17a

2. Heatsink Support Base

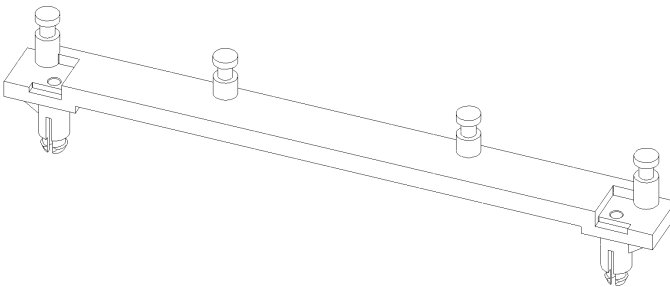
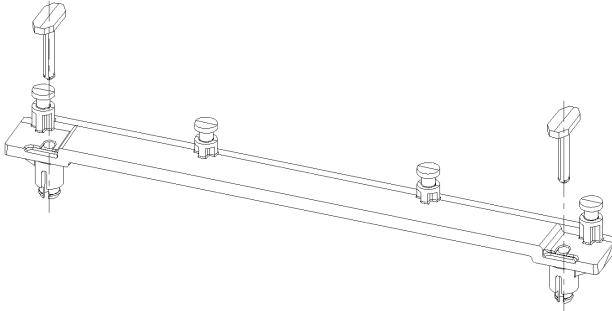


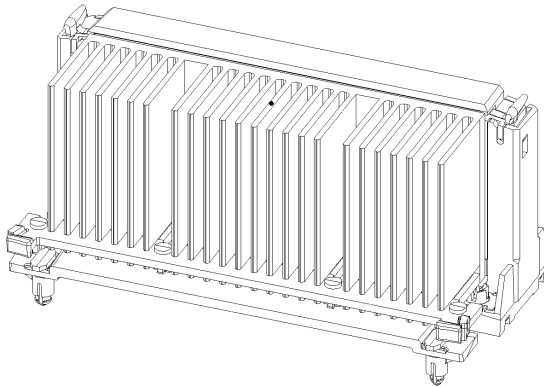
Fig. 17b

Installation Guide

- a) Refer to Fig. 15, install the Heatsink Support Base onto the motherboard, insert the two plastic nail to the hole in the Heatsink Support Base as following diagram:

**Fig. 18a**

- b) Insert the Heatsink Top Support to the Pentium II Heatsink and the Heatsink Support Base as the following diagram:

**Fig. 18b**

CHAPTER 4

AWARD BIOS SETUP GUIDE

This following manual is specially provided for the BIOS supported system. After the configuration of the mainboard, and have assembled the components, user can turn on the completed system. At this point, run the software setup to ensure that the system information is correct.

The software setup of the system board is achieved through Basic Input-Output System (BIOS) programming. Use the BIOS setup program to tell the operating system what type of devices (such as disk drives) are connected to the system board.

The system setup is also called CMOS setup. Normally, users need to run system setup if either the hardware configuration is not identical with information contained in the CMOS RAM, or the CMOS RAM has lost power.

4.1 AWARD BIOS SETUP

The setup program provided with the mainboard is the Award BIOS from Award Software, Inc. Enter the AWARD Setup program's Main Menu as follows:

1. Turn on or reboot the system. After a series of diagnostic check, the following message appear:

“Press DEL to enter SETUP”

2. Press the key to enter the AWARD BIOS setup program and the following screen appears:

ROM PCI/ISA BIOS (2A6LGG3A)
CMOS SETUP UTILITY
AWARD SOFTWARE, INC.

STANDARD CMOS SETUP	CPU SPEED SETTING
BIOS FEATURES SETUP	INTEGRATED PERIPHERALS
CHIPSET FEATURES SETUP	SUPERVISOR PASSWORD
POWER MANAGEMENT SETUP	USER PASSWORD
PNP/PCI CONFIGURATION	IDE HDD AUTO DETECTION
LOAD SETUP DEFAULTS	SAVE & EXIT SETUP
	EXIT WITHOUT SAVING
Esc : Quit	↑ ↓ → ← : Select Item
F10 : Save & Exit Setup	(Shift)F2 : Change Color
Time, Data, Hard Disk Type...	

Fig. 19

3. Choose an option and press <Enter>. Modify the system parameters to reflect the options installed in the system. (see the following sections for more information).
4. Press <ESC> at anytime to return to the Main Menu.
5. In the Main Menu, choose “SAVE AND EXIT SETUP” to save change and reboot the system. Choosing “EXIT WITHOUT SAVING” to ignore all changes and exists the program.

4.2 STANDARD CMOS SETUP

ROM PCI/ISA BIOS (2A6LGG3A)
STANDARD CMOS SETUP
AWARD SOFTWARE, INC.

Date (mm:dd:yy) : Fri, Sep 4 1998																		
Time (hh:mm:ss) : 20 : 27 : 55																		
HARD DISKS	TYPE	SIZE	CYLS	HEAD	PRECOMP	LANDZ	SECTOR	MODE										
Primary Master :	Auto	0	0	0	0	0	0	AUTO										
Primary Slave :	None	0	0	0	0	0	0	-----										
Secondary Master :	None	0	0	0	0	0	0	-----										
Secondary Slave :	None	0	0	0	0	0	0	-----										
Drive A : 1.44M , 3.5in.					<table border="1"> <tr> <td>Base Memory:</td> <td>640K</td> </tr> <tr> <td>Extended Memory:</td> <td>64512K</td> </tr> <tr> <td>Other Memory:</td> <td>384K</td> </tr> <tr> <td colspan="2"><hr/></td> </tr> <tr> <td>Total Memory:</td> <td>65536K</td> </tr> </table>				Base Memory:	640K	Extended Memory:	64512K	Other Memory:	384K	<hr/>		Total Memory:	65536K
Base Memory:	640K																	
Extended Memory:	64512K																	
Other Memory:	384K																	
<hr/>																		
Total Memory:	65536K																	
Drive B : None																		
Floppy 3 Mode Support : Disabled																		
Video : EGA/VGA																		
Halt On : All Errors																		
Esc : Quit			↑ ↓ → ← : Select Item			PU/PD/+/- : Modify												
F1 : Help			(Shift)F2 : Change Color															

Fig. 20

- Date(mm/dd/yy)** Type the current date.
- Time(hh:mm:ss)** Type the current time.
- Hard Disks** Choose from the standard hard disk types 1 to 45. Type 47 is user definable. Type Auto is for auto detect the hard disk type.
- Drive A&B** Choose 360K, 5.25in.; 1.2M, 5.25in.; 720K, 3.5in.; 1.44M, 3.5in.; 2.88MB 3.5in. or None.
- Video** Choose EGA/VGA, CGA 40, CGA 80, or MONO.
- Halt On** Choose All Errors; No Errors; All, But Keyboard; All, But Diskette or All, But Disk/Key.
- Floppy 3 Mode Support** Choose Enabled to allow floppy drive support 3 Mode.

4.3 BIOS FEATURES SETUP

ROM PCI/ISA BIOS (2A6LGG3A)
BIOS FEATURES SETUP
AWARD SOFTWARE, INC.

Virus Warning	: Disabled	Video BIOS Shadow	: Disabled
CPU L2 Cache ECC Checking	: Disabled	C8000-CBFFF Shadow	: Disabled
Quick Power On Self Test	: Disabled	CC000-CFFFF Shadow	: Disabled
Boot Sequence	: A,C,SCSI	D0000-D3FFF Shadow	: Disabled
Swap Floppy Drive	: Disabled	D4000-D7FFF Shadow	: Disabled
Boot Up Floppy Seek	: Disabled	D8000-DBFFF Shadow	: Disabled
Boot Up Numlock Status	: Off	DC000-DFFFF Shadow	: Disabled
IDE HDD Block Mode	: Enabled		
Gate A20 Option	: Fast		
Typematic Rate Setting	: Disabled		
Typematic Rate (Chars/Sec)	: 6		
Typematic Delay (Msec)	: 250		
Security Option	: Setup		
PCI/VGA Palette Snoop	: Disabled		
OS Select For DRAM > 64MB	: Non-OS2		
HDD S.M.A.R.T. Capability	: Disabled		
Report No FDD For WIN 95	: No		
		ESC: Quit	↑ ↓ → ←: Select Item
		F1: Help	PU/PD/+/-: Modify
		F5: Old Values	(Shift)F2: Color
		F7: Load Setup Defaults	

Fig. 21 BIOS Setup Defaults

A short description of the screen items follows:

Virus Warning: When enabled, you receive a warning message if a program (specifically, a virus) attempts to write to the boot sector or the partition table of the hard disk drive. You should then run an anti-virus program. The default is Disabled.

CPU L2 Cache ECC Checking: This option lets users choose between two methods of L2 cache error checking. The default is Disabled.

Quick Power On Self Test: Choose Enabled or Disabled. This option let the POST sequence runs longer for through tests.

Boot Sequence: With the default setting the BIOS first attempts to boot from drive A: and then, if unsuccessful, from hard disk C:. User can select other boot up sequence. Available sequences are "A,C,SCSI", "C,A,SCSI", "C,CDROM,A", "CDROM,C,A", "D,A,SCSI", "E,A,SCSI", "F,A,SCSI", "SCSI,A,C", "SCSI,C,A", "C only", "LS120/ZIP,C".

Swap Floppy Drive: Choose Enabled or Disabled. This option lets end users to change the Drive A: or B: to others.

Boot Up NumLock Status: Choose On or Off. On puts numeric keypad in Num Lock mode at boot-up. Off puts numeric keypad in arrow key mode at boot-up.

IDE HDD Block Mode: This allows your hard disk controller to use the fast block mode to transfer data to your hard disk drive.

Gate A20 Option: Choose Fast (chipset handled) or Normal (keyboard handled). The gate A20 is a device used to address memory above 1Mbytes. Initially, the gate A20 was handled via a pin on the keyboard. Today, while keyboards still provide this support, it is more common, and much faster, for the system chipset to provide support for gate A20.

Typematic Rate Setting: Choose Enabled or Disabled. Enabled will determines the typematic rate defined by following two options.

Typematic Rate: The number selected 6,8,10... indicates how fast the number of characters can response in one second.

Typematic Delay (Msec): The number selected indicates the time period between two identical keys appear.

Security Option: Choose Setup or System. If system is selected, the password should be set.

PCI/VGA Palette Snoop: Select Disabled or Enabled. If Enabled the MPEG Card can synchronised with PCI/VGA.

OS Select For DRAM > 64MB: If the system memory is larger than 64MB and running OS/2, please select OS2. However, if it use other operating system, please select Non-OS2. Furthermore, if the system memory is less than 64MB, the BIOS will ignore this function.

HDD S.M.A.R.T. Capability: Choose Enabled or Disabled. Enabled will support the hard driver S.M.A.R.T. feature (Self-Monitoring, Analysis and Reporting Technology).

Report No FDD For WIN 95: Choose Yes or No. Yes will show a removable disk in Windows 95 when the floppy drive is set as None.

Video BIOS Shadow: ROM Shadow copies Video BIOS code from slower ROM to faster RAM. Video BIOS can then execute from RAM.

C8000-DFFFF Shadow: If enabled and BIOS is present in this segment, then the BIOS is shadowed.

4.4 CHIPSET FEATURES SETUP

The Advanced Chipset Setup option is used to change the values of the chipset registers. These registers control most of the system options in the computer.

Note: Change these Settings only if user is familiar with the Chipset.

ROM PCI/ISA BIOS (2A6LGG3A)
CHIPSET FEATURES SETUP
AWARD SOFTWARE, INC.

Bank 0/1 DRAM Timing	: SDRAM 10ns	CPU Warning Temperature	: Disabled
Bank 2/3 DRAM Timing	: SDRAM 10ns	Current System Temp.	: 56°C/133°F
Bank 4/5 DRAM Timing	: SDRAM 10ns	Current CPU Temperature	: 35°C/95°F
SDRAM Cycle Length	: 3	Current CPU FAN Speed	: 4411RPM
Memory Hole	: Disabled	Current CHS FAN Speed	: 0RPM
Read Around Write	: Disabled	Current BAK FAN Speed	: 0RPM
Concurrent PCI/Hose	: Disabled	Vcore(V)	: 2.01V
Video RAM Cacheable	: Disabled	VTT(V)	: 1.47V
AGP Aperture Size (MB)	: 128	3.3(V)	: 3.28V
AGP-2x Mode	: Enabled	+ 5 V	: 5.02V
Onchip USB	: Disabled	+12 V	: 12.03V
		- 5 V	: -4.90V
		H/W Reset Protection	: Disabled
		ESC: Quit	↑ ↓ → ←: Select Item
		F1: Help	PU/PD/+/-: Modify
		F5: Old Values	(Shift)F2: Color
		F7: Load Setup Defaults	

Fig. 22

A short description of the screen items follows:

Bank 0/1, 2/3, 4/5 DRAM Timing: The DRAM timing of Bank 0/1, 2/3, 4/5 in this field is set by the system board manufacturer, depending on whether the board has fast paged DRAMs or EDO (Extended Data Output) DRAMs. The choice is Normal, Medium, Fast, Turbo, FP/EDO 60ns and FP/EDO 70ns.

SDRAM Cycle Length: This field sets the CAS latency timing. The choice is 2 or 3.

Memory Hole: Choose Enabled or Disabled. "Enabled" allows some linear VGA cards to run larger frame port, or it can be reserved for some operating system.

Read Around Write: DRAM optimization feature: If a memory read is addressed to a location whose latest write is being held in a buffer before being written to memory, the read is satisfied through the buffer contents, and the read is not sent to the DRAM. The choice is Enabled or Disabled.

Concurrent PCI/Host: When disable, CPU bus will be occupied during the entire PCI operation period. The choice is Enabled or Disabled.

Video RAM Cacheable: Select Enabled allows caching of the video RAM, resulting in better system performance. However, if any program writes to this memory area, a system error may result.

AGP Aperture Size (MB): Choose the size of the Accelerated Graphic Port (AGP) aperture. The aperture is a portion of the PCI memory address range dedicated for graphics memory address space. Host cycles that hit the aperture range are forwarded to the AGP without any translation. The available options are 4, 8, 16, 32, 64, 128 and 256MB.

Onchip USB: This should be enabled if your system has a USB installed on the system board and you wish to use it. Even when so equipped, if you add a higher performance controller, you will need to disable this feature. The choice is Enabled or Disabled.

CPU Warning Temperature: This defines the CPU warning temperature. If CPU temperature is over you set, it will be warning. The settings are Disabled, 50°C/122°F, 53°C/127°F, 56°C/133°F, 60°C/140°F, 63°C/145°F, 66°C/151°F or 70°C/158°F.

The below items will show only with SYSTEM MONITORING FEATURES:

Current System Temp.: This item will show the temperature of the system board.

Current CPU Temperature: This item will show the temperature of CPU.

Current CPU FAN/CHS FAN/BAK FAN Speed: This item will show the rotate speed per minute of the FAN connected to CPU FAN, CHS FAN, BAK FAN correspondingly.

Vcore/VTT(V)/3.3(V)/5.0(V)/12(V)/-12(V)/-5(V): These items show the different voltage of the system board.

H/W Reset Protection: Enabled to disable the function of H/W reset button.

4.5 POWER MANAGEMENT SETUP MENU

The Power Management Setup option is used to change the values of the chipset registers for system power management functions.

ROM PCI/ISA BIOS (2A6LGG3A)
POWER MANAGEMENT SETUP
AWARD SOFTWARE, INC.

ACPI function	: Disabled	Primary INTR	: ON
Power Management	: User Define	IRQ 3 (COM 2)	: Primary
PM Control by APM	: Yes	IRQ4 (COM 1)	: Primary
Video Off Option	: Suspend → Off	IRQ5 (LPT 2)	: Primary
Video Off Method	: V/H SYNC + Blank	IRQ 6 (Floppy Disk)	: Primary
MODEM Use IRQ	: 3	IRQ7 (LPT 1)	: Primary
Soft-Off by PWRBTN	: Delay 4 sec.	IRQ8 (RTC Alarm)	: Disabled
	** PM Timers **	IRQ9 (IRQ2 Redir)	: Secondary
HDD Power Down	: Disabled	IRQ10 (Reserved)	: Secondary
Suspend Mode	: Disabled	IRQ11 (Reserved)	: Secondary
	** PM Events **	IRQ12 (PS/2 Mouse)	: Primary
VGA	: OFF	IRQ13 (Coproccessor)	: Primary
LPT & COM	: LPT/COM	IRQ14 (Hard Disk)	: Primary
HDD & FDD	: ON	IRQ15 (Reserved)	: Disabled
DMA/master	: OFF		
Wake Up On LAN	: Enabled	ESC: Quit	↑ ↓ → ←: Select Item
Modem Ring Resume	: Disabled	F1: Help	PU/PD/+/-: Modify
RTC Alarm Resume	: Disabled	F5: Old Values	(Shift)F2: Color
		F7: Load Setup Defaults	

Fig. 23

A short description of the screen items follows:

ACPI Function: To enabled feature for supporting the operating system with Advanced Configuration and Power Interface. (such as Windows 98)

Power Management: Available selections are “User Define”, “Max Saving” and “Min Saving”:
 “User Define” makes the time period waiting for Suspend Mode to be programmed.
 “Max Saving” will set the time period waiting for Suspend Mode to be 1 minute.
 “Min Saving” will set the time period waiting for Suspend Mode to be 1 hour.

PM Control by APM: Available options are “Yes” and “No”. To choose “Yes” to let the Power Management Function to be control by the MS APM software.

Video Off Option: As the system moves from lesser to greater power-saving modes. Select the mode in which you want the monitor to blank. The available options are “Suspend” and “NA”.

Video Off Method: Choose V/H SYNC+Blank, DPMS or Blank Screen. This is monitor Power Saving Method. V/H SYNC+Blank means turn off Vertical, Horizontal scanning and blank the screen. Blank Screen will blank the display screen. DPMS (Display Power Management System) can allow the System BIOS control the Display Card to turn off the Display.

MODEM Use IRQ: Available options are 3,4,5,7,9,10,11 and NA. It is used to choose the interrupt line that the Modem is used. “NA” means not available.

Soft-Off by PWRBTTN: Available options are “Instant-Off” and “Delay 4 sec.”. For “Instant-Off” option, the power of the system will be switched off at once when the power button is pressed for turn it off. For “Delay 4 sec.” Option, the power of the system will be switched off with 4 seconds later after the power button is pressed.

HDD Power Down: To select the time period will turn the HDD off. Accessing the HDD again will take a few seconds for HDD to spin up for operation.

Suspend Mode: To set the time period waiting for Suspend Mode when the Power Management function is set to “User Define”.

VGA/LPT&COM/HDD&FDD/DMA/master: All of these functions are used to control the wake up event from the Suspend Mode. Once the function is enabled, the corresponded activity will trigger the system back to the Normal Mode from the Suspend Mode.

Modem Ring Resume: When Enabled the external modem ring in can wake up the system. (ATX power supply required)

Resume By Alarm/Date (of Month) Alarm/Timer (hh:mm:ss) Alarm: To Enabled the Resume by Alarm will wake up the system at the time set on the Date (of Month) Alarm and Timer (hh:mm:ss) Alarm.

Wake Up On LAN: When Enabled the wake up packet received by network card can wake up the system (ATX power supply required).

Note: *IRQ8 (RTC Alarm) must be Enabled when you want to use Resume By Alarm and Ring.*

Primary INTR: To turn on this feature will enable the system to monitor the IRQs for power management.

IRQ3-IRQ15: When it is enabled, the system will monitor the activity of the corresponded system IRQ to turn on or off the power management functions.

4.6 PNP/PCI CONFIGURATION

The PCI Configuration Setup option is used to configure the PCI add-on Cards on PCI Slots. Without proper setup the PCI Add-on Cards might not function properly.

ROM PCI/ISA BIOS (2A6LGG3A)
PNP/PCI CONFIGURATION
AWARD SOFTWARE, INC.

PNP OS Installed	: No	CPU to PCI Write Buffer	: Enabled
Resources Controlled By	: Manual	PCI Dynamic Bursting	: Disabled
Reset Configuration Data	: Disabled	PCI Master 0 WS Write	: Enabled
IRQ-3 assigned to	: PCI/ISA PnP	PCI Delay Transaction	: Disabled
IRQ-4 assigned to	: PCI/ISA PnP	PCI #2 Access #1 Retry	: Disabled
IRQ-5 assigned to	: PCI/ISA PnP	AGP Master 1 WS Write	: Enabled
IRQ-7 assigned to	: PCI/ISA PnP	AGP Master 1 WS Read	: Enabled
IRQ-9 assigned to	: PCI/ISA PnP	PCI IRQ Actived By	: Level
IRQ-10 assigned to	: PCI/ISA PnP	Assign IRQ For USB	: Disabled
IRQ-11 assigned to	: PCI/ISA PnP	Assign IRQ For VGA	: Enabled
IRQ-12 assigned to	: PCI/ISA PnP		
IRQ-14 assigned to	: PCI/ISA PnP		
IRQ-15 assigned to	: PCI/ISA PnP		
DMA-0 assigned to	: PCI/ISA PnP		
DMA-1 assigned to	: PCI/ISA PnP	ESC: Quit	↑ ↓ → ←: Select Item
DMA-3 assigned to	: PCI/ISA PnP	F1: Help	PU/PD/+/-: Modify
DMA-5 assigned to	: PCI/ISA PnP	F5: Old Values	(Shift)F2: Color
DMA-6 assigned to	: PCI/ISA PnP	F7: Load Setup Defaults	
DMA-7 assigned to	: PCI/ISA PnP		

Fig. 24

Note: Change these Settings only if user is familiar with the Chipset and all the PCI Add-on Cards functions.

A short description of the screen items follows:

PNP OS Installed: Set this option to Yes if the operating system installed in the computer is Plug and Play-aware (e.g. Windows 95).

Resources Controlled By: The Award Plug and Play BIOS can automatically configure all the boot and Plug and Play compatible device. If you select Auto, all the interrupt (IRQ) and DMA assignment fields disappear, as the BIOS automatically assigns them.

Reset Configuration Data: If enable this option, the BIOS will clear and reset the ESCD after hardware reset.

IRQ#/DMA# assigned to: These items will be shown only when “Resources Controlled By” option is set the “Manual”. The available options are “Legacy ISA” and “PCI/ISA PnP”. If the option is set to “Legacy ISA”, the BIOS will never assign the specified IRQ/DMA resource to PCI or ISA PnP Devices. If “PCI/ISA PnP” is chosen, the BIOS will make the specified IRQ/DMA have a chance to be assigned to the PCI or ISA PnP devices.

CPU to PCI Write Buffer: When enabled, up to four Dwords of data can be written to the PCI bus without interrupting the CPU. When disabled, a write buffer is not used and the CPU read cycle will not be completed until the PCI bus signals that it is ready to receive the data. Choices are Enabled and Disabled.

PCI Dynamic Bursting: When enabled, every write transaction goes to the write buffer. Burstable transactions then burst on the PCI bus and nonburstable transactions don't. Choices are Enabled and Disabled.

PCI Master 0 WS Write: Choose Enabled to let the PCI Master using 0 wait state in write cycle.

PCI Delay Transaction: Select Enabled to use the write buffer for the delay transaction cycles. It is selected to support the compliance of PCI Specification Version 2.1.

PCI #2 Access #1 Retry: This item allows you enable or disable the PCI #2 Access #1 Retry. The choice is Enabled or Disabled.

AGP Master 1 WS Write/AGP Master 1 WS Read: These items are used to enable or disable the AGP master device 1 wait state Write and Read cycle corresponding.

PCI IRQ Activated By: Choose Level or Edge. The default setting is Level.

Assign IRQ For USB: It is used to choose the IRQ that the USB is used.

Assign IRQ For VGA: It is used to choose the IRQ that the VGA is used.

4.7 INTEGRATED PERIPHERALS SETUP MENU

The Integrated Peripherals setup option is need to change the values of the I/O chipset registers for I/O functions.

ROM PCI/ISA BIOS (2A6LGG3A)
INTEGRATED PERIPHERALS
AWARD SOFTWARE, INC.

On-Chip IDE Channel 0	: Enabled	Onboard Serial Port 2	: 2F8/IRQ3
On-Chip IDE Channel 1	: Enabled	UART Mode Select	: IrDA
IDE Prefetch Mode	: Enabled	RxD, TxD Active	: Hi, Lo
IDE Primary Master PIO	: Auto	IR Transmission delay	: Enabled
IDE Primary Slave PIO	: Auto	Onboard Parallel Port	: 378/IRQ7
IDE Secondary Master PIO	: Auto	Parallel Port Mode	: ECP+EPP
IDE Secondary Slave PIO	: Auto	ECP Mode Use DMA	: 3
IDE Primary Master UDMA	: Auto	ECP Mode Select	: EPP1.7
IDE Primary Slave UDMA	: Auto		
IDE Secondary Master UDMA	: Auto		
IDE Secondary Slave UDMA	: Auto		
Init Display First	: Disabled		
Power On Function	: Button Only		
Onboard FDC Controller	: Enabled	ESC: Quit	↑ ↓ → ←: Select Item
Onboard Serial Port 1	: 3F8/IRQ4	F1: Help	PU/PD/+/-: Modify
		F5: Old Values	(Shift)F2: Color
		F7: Load Setup Defaults	

Fig. 25

A short description of the screen items follows:

On-Chip IDE Channel 0/On-Chip IDE Channel 1: These items are used to enable or disable the onboard IDE Channel.

IDE Prefetch Mode: Choose Enabled to set the onboard IDE controller to access the IDE device with faster Prefetch Mode.

IDE Primary Master PIO/IDE Primary Slave PIO/IDE Secondary Master PIO/IDE Secondary Slave PIO: Available selection are “Auto”, “Mode 0”, “Mode 1”, “Mode 2”, “Mode 3” and “Mode 4”. To choose “Auto”, the system BIOS will scan the IDE device and decide which mode of the device is . Otherwise the user should key in the mode of the device to the corresponding field.

Some harddisks cannot work properly with its corresponding timing, please set a slower timing.

IDE Primary Master UDMA/IDE Primary Slave UDMA/IDE Secondary Master UDMA/IDE Secondary Slave UDMA: Available selection are “Auto” or “Disabled”. To choose “Auto”, the system BIOS will scan the IDE device and decide Ultra DMA supported or not.

Init Display First: Enabled to let the system initialize the AGP display first prior to the other display adaptor.

Power On Function: This item is used to set the system power on method. The settings are Button Only, Password, Hot Key, Mouse Left or Mouse Right.

Onboard FDC Controller: Choose Enabled or Disabled. “Enabled” allows onboard Floppy Drive Controller to be functioned, otherwise the users should use other sources..

Onboard Serial Port 1: Choose Auto, Disabled, 3F8/IRQ4, 2F8/IRQ3, 3E8/IRQ4 and 2E8/IRQ3. While choosing proper I/O Address/IRQ, be sure not to cause Address conflict with other I/O devices. The default setting is 3F8/IRQ4.

Onboard Serial Port 2: Choose Auto, Disabled, 3F8/IRQ4, 2F8/IRQ3, 3E8/IRQ4 and 2E8/IRQ3. While choose proper I/O Address/IRQ, be sure not to cause Address conflict with other I/O devices. The default setting is 2F8/IRQ3.

UART Mode Select: Choose Standard, ASKIR (Amplitude Shift Keyed Infrared Port), IrDA 1.0 for serial Interface.

RxD, TxD Active: The available options are “Hi, Hi”, “Hi, Lo”, “Lo, Hi” and “Lo, Lo”. It is used to configure the logic level of Receive and Transmit signal in IrDA interface.

Onboard Parallel Port: Choose None or with four different I/O Address and corresponding IRQx. While choosing proper I/O Address, be sure not to cause Address conflict with other I/O devices.

Parallel Port Mode: Choose Normal, SPP, ECP, ECP+EPP(1.9) and ECP+EPP(1.7) Mode. Make proper selection with the attached printer port device.

ECP Mode Use DMA: Choose “1” or “3” to select the DMA channel used for the ECP device. This item is shown if the **Onboard Parallel Mode** is chosen as “ECP” or “ECP/EPP” option.

4.8 LOAD SETUP DEFAULTS MENU

This Main Menu item uses the default setup values. Use this option as a diagnostic aid if the system behaves erratically. Choose this item and the following message appears:

“Load SETUP Defaults (Y/N)? N”

To use the Power-On defaults, change the prompt to “Y” and press <Enter>.

4.9 SUPERVISOR PASSWORD

Two level of password is supported. Depending on the setting of the “Security Option” in the “BIOS FEATURES SETUP”, the system BIOS will ask for password every time booting up the System or entering BIOS Setup. With the supervisor password, both the system booting and BIOS setup changing is allowed.

This main menu item lets the user to set up the Supervisor Password.

Change the password as follows:

1. Choose “PASSWORD SETTING” in the Main Menu and press <Enter>. The following message appears:

“ENTER PASSWORD:”

2. Enter the Password and press <Enter>. The following message appears:

"CONFIRM PASSWORD:"

Important: Keep a safe record of the new password. If forget or lose the password, the only way to access the system is to disconnect the CMOS batteries and then re-enter the password.

4.10 USER PASSWORD

With the user password, only booting up the system is accepted, but changing the BIOS setup is not allowed.

4.11 IDE HDD AUTO DETECTION

When users can not find the Hard Disk information, it is very helpful to use this option.

1. Choose this item and press <Enter>.
2. After couple seconds, the screen will appear the Hard Disk information and following message:

“SELECT PRIMARY MASTER OPTION(N=SKIP): N”

3. Enter Y or N to confirm the acceptance then enter.
4. The process will repeat for Primary Slave, Secondary Master and Secondary Slave Hard Disks.

4.12 SCSI HARD DISK INSTALLATION

In Standard CMOS Setup Utility, select hard disk type to be “Not Installed”. In Advanced CMOS Setup Utility, Disable “Adapter ROM Shadow DC00”. On the SCSI Controller card, set the jumpers which configure the SCSI card BIOS segment address located at DC00 or DE00. Format the SCSI disk by the Formatter provided in the SCSI BIOS.

4.13 SAVE & EXIT SETUP MENU

When you select this function, the following message will appear at the centre of the screen to assist you to Save data to CMOS and Exit the Setup.

Save to CMOS and Exit (Y/N)?

4.14 EXIT WITHOUT SAVING MENU

When you select this function, the following message will appear at the centre of the screen to assist you to Abandon all Data and Exit Setup.

Quit Without Saving (Y/N)?

CHAPTER 5

SOFTWARE INSTALLATION

In order to let the system board to work efficiently, a series of drivers have to install according to the operating system used. The drivers may be delivered via CD-ROM or floppy diskettes. The device driver installation procedures from CD-ROM and floppy diskettes are similar. The only difference is the path of the driver location. Please refer to the following section for the installation procedures for floppy diskettes. For CD-ROM installation, please refer to the README.TXT file on the Root Directory of the CD-ROM.

5.1 VIA BUS MASTER PCI IDE DRIVER FOR WINDOWS 95/WINDOWS 98

- a) Under Windows 95, insert the CD title into the CD-ROM drive (say D:)
- b) Click *Start* on the taskbar in Windows 95
- c) Click *Run* on the menu bar in Windows 95
- d) Type `D:\84ivbx\drivers\Ide master\setup.exe` (D: being the letter of CD-ROM drive)
- e) Follow the on screen instructions to complete the installation. Restart Windows 95 to let the drivers take function.

5.2 AGP VxD SETUP PROGRAM

- a) Under Windows 95, insert the CD title into the CD-ROM drive (say D:)
- b) Click *Start* on the taskbar in Windows 95
- c) Click *Run* on the menu bar in Windows 95
- d) Type `D:\84ivbx\drivers\agpvxd\setup.exe` (D: being the letter of CD-ROM drive)
- e) Follow the on screen instructions to complete the installation. Restart Windows 95 to let the drivers take function.

5.3 VIA PCI MINIPOINT DRIVER SETUP PROGRAM

- a) Under Windows 95, insert the CD title into the CD-ROM drive (say D:)
- b) Click *Start* on the taskbar in Windows 95
- c) Click *Run* on the menu bar in Windows 95
- d) Type `D:\84ivbx\drivers\xirq\setup.exe` (D: being the letter of CD-ROM drive)
- e) Follow the on screen instructions to complete the installation. Restart Windows 95 to let the drivers take function.

5.4 VIA POWER MANAGEMENT CONTROLLER SETUP PROGRAM

- a) Under Windows 95, insert the CD title into the CD-ROM drive (say D:)
- b) Click *Start* on the taskbar in Windows 95
- c) Click *Run* on the menu bar in Windows 95
- d) Type *D:\84ivbx\drivers\Acpi\setup.exe* (D: being the letter of CD-ROM drive)
- e) Follow the on screen instructions to complete the installation. Restart Windows 95 to let the drivers take function.

5.5 SOUND DRIVER INSTALLATION

This section is valid for the system with sound chip built in.

(I) Windows 95/Windows 98

For a newly installed Win95 system:

- a) Upon boot up, the system will detect the “YAMAHA DS-XG Device Manager”
- b) Windows 95 will prompt for the driver diskette, then insert the CD title into the CD-ROM driver (say D:)
- c) When Windows 95 ask for driver, browse for driver *D:\84ivbx\drivers\sound\win95 (or win98)* directory (D: being the letter of CD-ROM drive)
- d) For the GamePort joy-stick setting, use the default driver provided from Windows 95 CD
- e) Insert the required Windows 95 distribution disk and click *OK*
- f) After the installation is completed, Windows 95 should be restarted to let the drivers take function

(II) Windows NT

- a) Under Windows NT, insert the CD title into the CD-ROM driver (say D:)
- b) Click *Start* on the taskbar in Windows NT
- c) Click *Control Panel of Setting*
- d) Double click *Multimedia* icon
- e) Click *Device of Multimedia properties*
- f) Select **Audio Devices** and click *Add*
- g) Select **Unlisted or updated Driver** and click *OK*
- h) Type *D:\84ivbx\drivers\sound\winnt40* (D: being the letter of CD-ROM drive) and then click *OK*
- i) Select the right DS-XG sound system and follow the on screen instructions to complete the installation
- j) Restart the system

5.6 THE YSTATION APPLICATION FOR WINDOWS 95/WINDOWS 98

- a) Under Windows 95/Windows 98, insert the CD title into the CD-ROM drive (say D:)
- b) Click *Start* on the taskbar in Windows 95
- c) Click *Run* on the menu bar in Windows 95
- d) Type `D:\84ivbx\utility\ystation\setup.exe` (D: being the letter of CD-ROM drive)
- e) Follow the on screen instructions to complete the installation

CHAPTER 6

FLASH AND DMI UTILITY

6.1 AWARD FLASH UTILITY

This section will provide instructions to guide you through updating your old BIOS. The file name we use to program here is *test.bin*, and the file name to save old BIOS is *2A59F000.OLD*. Please note that those file names are not absolute. They are only examples to let you have a more clear understanding of the updating process.

How to Begin

1. Please type “*awdf*lash” and press the **ENTER** key to begin the updating process.
2. Once you enter, you will see a main menu displaying:

FLASH MEMORY WRITER V5.XX Copyright (C) 1996, Award Software, Inc.,	
For I430HX-2A59F000 Flash Type	DATE: 06/18/96
File Name to Program:	
Error Message:	

Fig. 26

3. Type the program name “*test.bin*”, and then press the **ENTER** key.
4. At the bottom of the menu, you will be requested to answer:

“Do You Want to Save BIOS (Y/N)?”

If you do not wish to save the old BIOS:

5. Please type “N”, and then press the ENTER key.
6. Then you will be request to answer:

“Are You Sure to Program?”

7. Answer “N” if you do not want to program, and then it will exit.

To save the old BIOS:

8. Please respond “Y”, and then press the ENTER key.
9. Move the cursor to “File Name to Save:”
10. Type file name “**2A59F000.OLD**”, and then press the **ENTER**.
(Your old BIOS will be saved in the file name you create. In this case, the old BIOS is saved in the file name, 2A59F000.OLD).
11. Then you will be requested to answer:

“Are You Sure to Program (Y/N)?”

12. Type “Y” to begin programming, and press the **ENTER** key.
13. When the programming is finished, the showing message will appear:

“Programming Flash Memory - 1FF00 0K



Message: Please Power off or Reset System”

14. Once you see the showing message “**Power Off or Reset System**”, please re-start your system.
15. When you power on the computer again, you will find your old BIOS has already been successfully updated.

Warning

Please note that Award Flash Utility cannot run under EMM386 or QEMM. Thus, when executing the command “**awdf**lash”, and error message will appear:

“Error Message: Fail - Due to EMM386 or QEMM!”

6.2 DESKTOP MANAGEMENT INTERFACE (DMI) OVERVIEW

This motherboard can support DMI within the BIOS level. DMI is able to auto-detect and record information pertinent to a computer's system such as the CPU type, CPU speed, and internal/external frequencies, and memory size. The onboard BIOS will detect as many system information as possible and store those collected information in a 4KB block in the motherboard's flash EPROM and allow the DMI to retrieve data from this database.

The DMI Configuration Utility (DMICFG.EXE) must be used in real mode in order for the program to run the base memory must be at least 180K. Memory managers like HIMEM.SYS (required by windows) must not be installed. You can boot up from a system diskette without AUTOEXEC.BAT and CONFIG.SYS files, "REM" HIMEM.SYS in the CONFIG.SYS, or press <F5> during bootup to bypass your AUTOEXEC.BAT and CONFIG.SYS files.

Using the DMI Configuration Utility

Edit DMI

```

Award DMI Configuration Utility V1.04a, Copyright Award Software Inc. 1996
[Edit DMI] [Add DMI] [Load DMI FILE] [Save DMI FILE]

BIOS
System
Base Board
Enclosure/Chassis
Processor
Memory Controller
Memory Module
Memory Module
Memory Module
Memory Module
Cache
Cache
Port Connector
Port Connector
Port Connector
Port Connector
Port Connector
Port Connector
Port Connector
System Slots

Type : BIOS Information
Handle : 0000
Vendor Name : Award Software International, Inc.
BIOS Version : 4.51 PG
BIOS starting Address Segment : E000
BIOS Build Date : 05/12/97
BIOS Characteristics : Press [ENTER] for detail
Size of BIOS ROM : 0128K

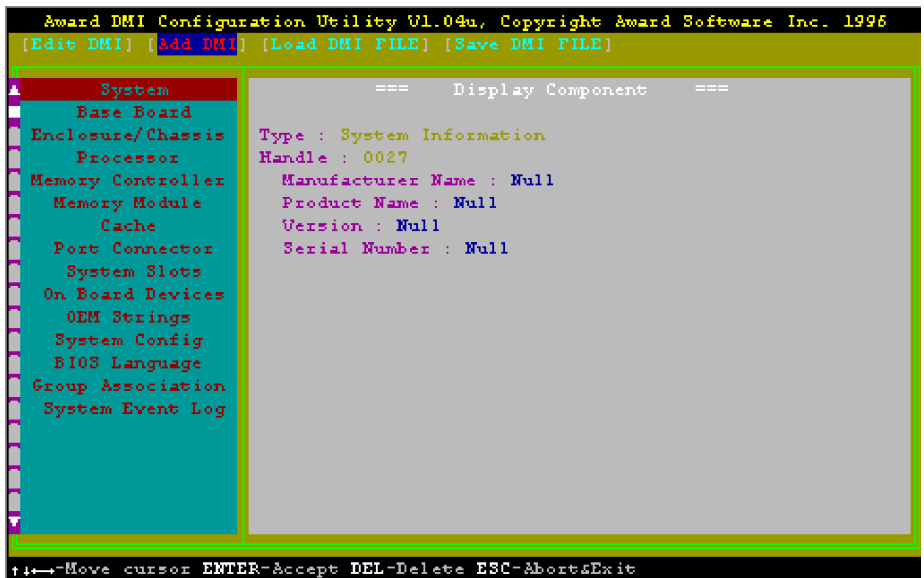
Move cursor ENTER=Accept DEL=Delete ESC=Abort&Exit

```

Use the ←→ (left-right) cursors to move the top menu items and the ↑↓ (up-down) cursor to move between the left hand menu items. The bottom of the screen will show the available keys for each screen. Press enter at the menu item to enter the right hand screen for editing. “Edit component” appears on top. The reversed color field is the current cursor position and the blue text are available for editing. The orange text shows auto-detected information and are not available for editing. The blue text “Press [ENTER] for detail” contains a second pop-up menu is available, use the + - (plus-minus) keys to change the settings. Enter to exit and save, ESC to exit and not save.

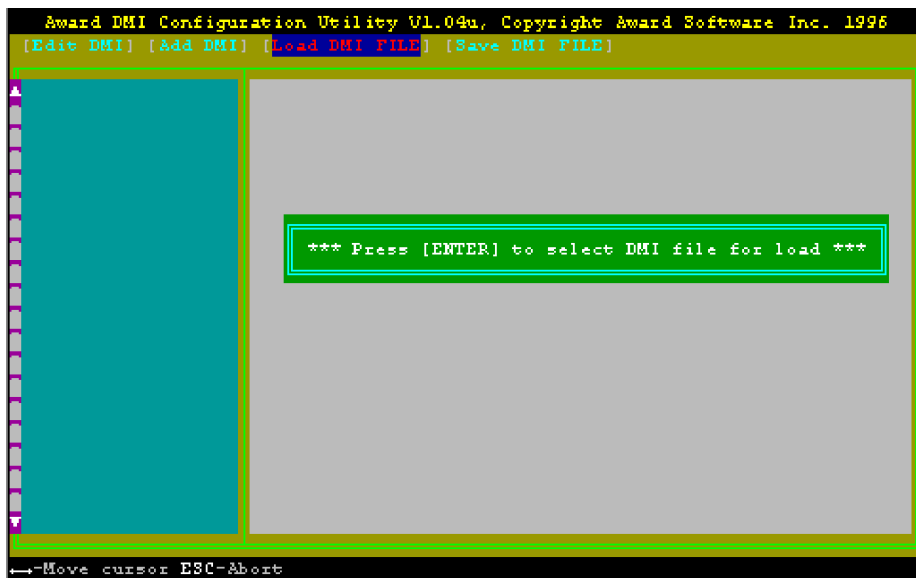
If the user has made changes, ESC will prompt you to answer Y or N. Enter Y to go back to the left-hand screen and save, enter N to go back to left-hand screen and not save. If editing has not been made, ESC will send you back to the left hand menu without any messages.

Add DMI



This DMI Configuration Utility also allows the system integrator or end user to add additional information into the DMI database such as serial numbers, housing configurations, and vendor information. Those information not detected by the motherboard BIOS and has to be manually entered through the DMI Configuration Utility and updated into the DMI database.

Load DMI File



You can load the disk file to memory by entering a drive and path and file name here.

Save DMI File

You can save the DMI (normally only saved to flash ROM) to a file by entering the drive and path here. If you want to cancel save, you may press ESC and a message “Bad File Name” appears here to show it was not saved.

APPENDIX A

QUICK GUIDE

The table below summaries the functions and settings of each jumper of the motherboard.

Function		Jumper Settings	
CPU Speed Protection	CPU Speed show only	JP2	1-2 short
	CPU Speed selection	JP2:	2-3 short
Clear CMOS Data	Normal	JCC:	2-3 short
	Clear	JCC:	1-2 short