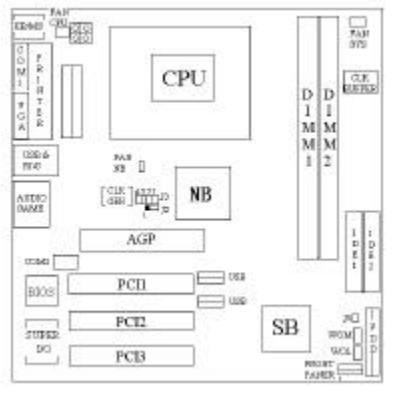


PFM-12V

VIA P4M266 Socket 478 Micro-ATX Motherboard

PFM-12V is a high-performance green Intel Pentium 4 motherboard. The system core logic is based on VIA P4M266 Chipsets. It is integrated with VIA VT6103 Software LAN and VT1611A AC'97 codec for Software Audio.



SPECIFICATION

CPU:

- Support Intel Socket 478 Pentium 4 processor
- 400MHz Quad-pumped Front Side Bus

Chipset:

- VIA P4M266 chipsets
- VIA VT1611A AC'97 codec
- VIA VT1211 LPC controller
- Realtek RTL8139C Ethernet controller

Main Memory:

- Two 184-pin DIMM sockets
- Support DDR200/266 SDRAM up to 2GB

VGA:

- Integrated S3 ProSavage8 Graphics controller in North Bridge
- Support 3D/2D enhancements
- Support AGP8X bandwidth including AGP4X slot. Max. Bandwidth 1GB/sec

Audio:

- AC-Link with AC'97 2.2 compliant
- Software audio with VT1611A AC'97 codec

Ethernet:

- Onboard VIA VT6103 Software LAN
- Full-Duplex supported
- WFM 2.0 compliant

System BIOS:

- Award BIOS with 2MB EEPROM
- ACPI/PnP supported

I/O Interface:

- VIA VT1211 LPC controller
- Two enhanced PCI IDE channels which support up to 4 IDE devices with ATA-100 transfers up to 100MB/sec
- Build in FDC supports 1.2M/1.44M/2.88M FDD

I/O Output:

- 2 Type A USB connectors & 1 RJ-45 LAN port
- Line-in, MIC-in, Speaker-out and Game port
- PS/2 mouse and keyboard connectors
- 1 fast serial ports (16550) & 1 parallel port
- 1 D-type 15-pin VGA connector
- Two 2X5 pin header for 4 USB ports

H/W Monitoring

- CPU/System fan revolution detect
- CPU/System temperature detect
- CPU overheat shutdown detect
- System voltage detect (Vcore, Vcc3, Vcc, +12V)

Other Features

- Support Wake-On-LAN (WOL)
- Supports Internal / External Modem Ring On
- 2 cooling fan connectors

Expansion Slots:

- 3 PCI slots
- 1 AGP4X slot

Form Factor:

- Micro-ATX @ 244 mm (L) × 244 mm (W), 4 Layers