

AP480-S

Motherboard layout reference

Contents

- Specifications summary
- Motherboard layout
- Rear panel connectors
- Function selectors
- Internal connectors

Specifications summary

CPU	Socket AM2 - AMD Athlon64/ Sempron/ Athlon 64 X2/ AM2+CPU/ Phenom HT3 (Socket AM2+ with RS780, up to 5.2 GT/s) HT1 (Socket AM2 with RS780, 2.0 & 1.6 GT/s)
	HT Frequency: 2000MHz
Chipset	AMD RS780 AMD SB700
Front Side Bus	N/A
Memory	DDR2 667/800/1066 dual channel
	4 slots, max. up to 8GB
Expansion slots	PCI Express Graphic slot x16 (for discrete graphic cards) PCI x2 PCI Express x1
Audio	CODEC ALC 888s 8CH or 6CH, support Vista Premium
Storage/RAID	SB700 built-in SATAII x 6 connectors
LAN	MAC Gigabit: PCIE RTL8111C-VC(1000)
USB 2.0	12 ports (optional at mid-board, 4 at rear panel)
Alarm device (optional)	Buzzer
1394 (optional)	Agere FW322-07-T100-DB (Front Panel only)
Security device (optional)	TPM 1.2
Rear Panel I/O ports	1x PS/2 Keyboard/Mouse 1x LPT Printer port 1x DVI port 1x VGA port 2x USB ports 1x LAN port (RJ45) + 2x USB ports 1x Audio I/O(6 ports, 8CH)

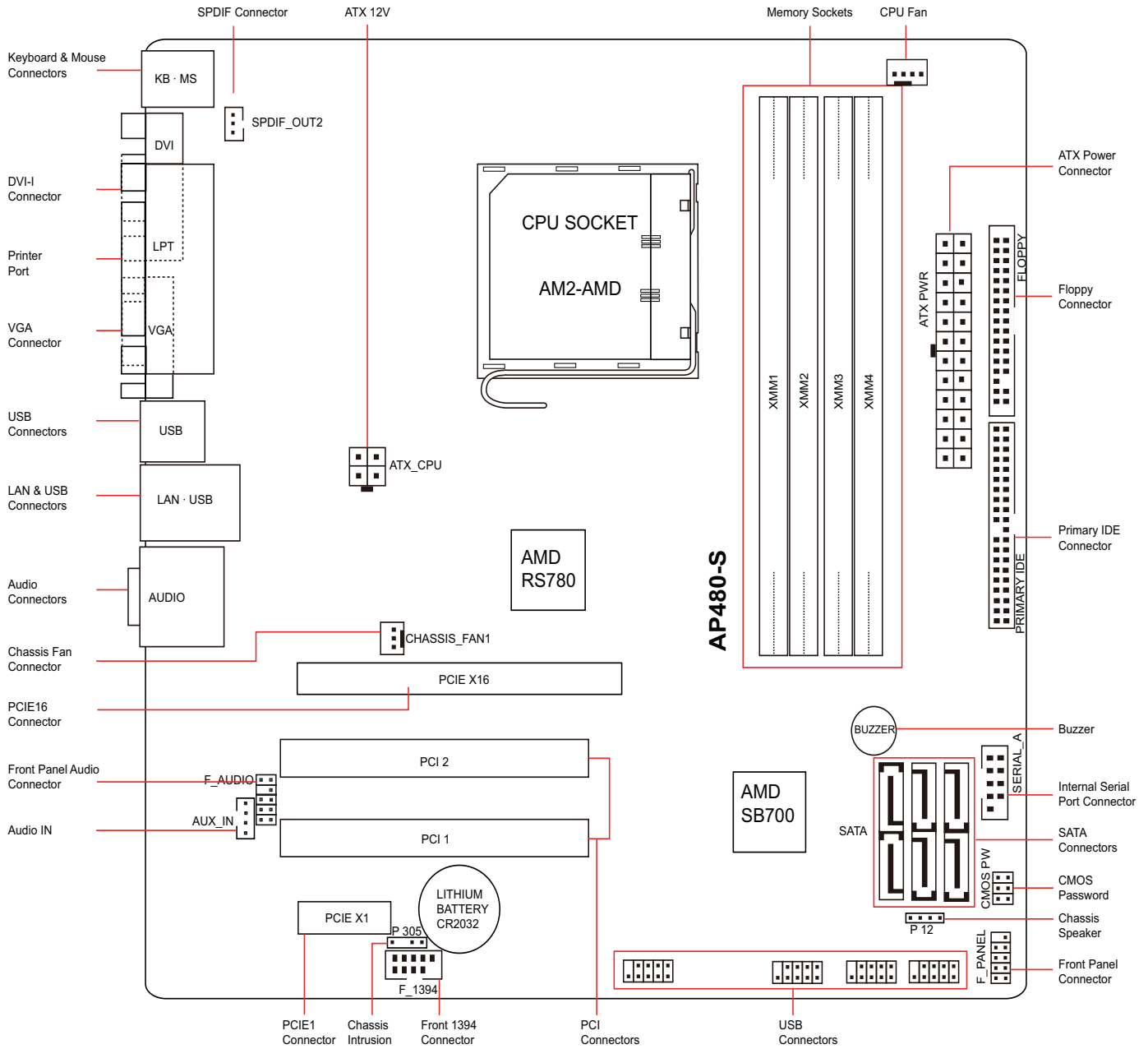
(Specifications are subject to change without notice.)

Specifications summary

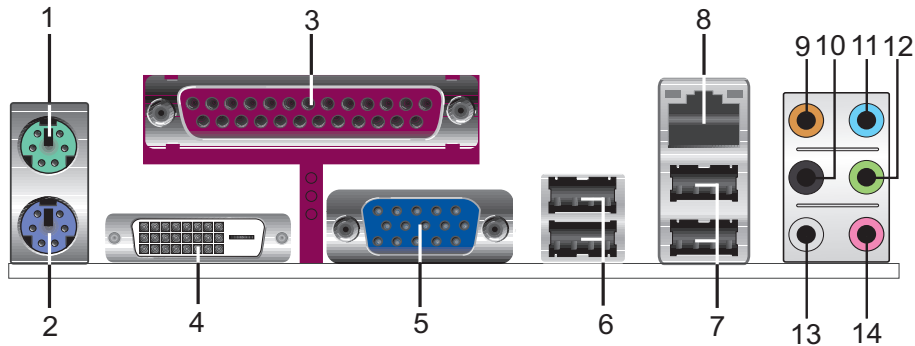
Internal connectors	1x CPU Fan connector 1x Chassis Fan connector 1x Chassis Intrusion connector 1x Intel Front panel connector 1x Azalia Analog front panel connector 4x USB connectors (8 ports) 1x EATX power connector 1x ATX 12V connector 1x 1394 connector (<i>optional</i>) 1x Floppy connector (<i>optional</i>) 1x S/PDIF connector 1x Clear CMOS jumper 1x CD audio-in connector (<i>optional</i>) 1x IDE connector (<i>optional</i>) 1x COM port connector
BIOS features	SPI 8Mb (AMI)
Form factor	uATX form factor 9.6" x 9.6"

(Specifications are subject to change without notice.)

Motherboard layout

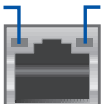


Rear panel connectors



1. **PS/2 mouse port (green).** This port is for a PS/2 mouse.
2. **PS/2 keyboard port (purple).** This port is for a PS/2 keyboard.
3. **Parallel port.** This 25-pin port connects a parallel printer, a scanner, or other devices.
4. **Digital Visual Interface Discrete / Integrated (DVI-D / DVI-I) (optional).** This video interface standard is designed to maximize the visual quality of digital display devices such as flat panel LCD computer displays and digital projectors.
5. **Video Graphics Adapter (VGA) port.** This 15-pin port is for a VGA monitor or other VGA-compatible devices.
6. **USB 2.0 ports 1 and 2.** These two 4-pin Universal Serial Bus (USB) ports are available for connecting USB 2.0 devices.
7. **USB 2.0 ports 3 and 4.** These two 4-pin Universal Serial Bus (USB) ports are available for connecting USB 2.0 devices.
8. **LAN (RJ-45) port.** This port allows connection to a Local Area Network (LAN) through a network hub. Refer to the table below for the LAN port LED indications.
9. **Center / Subwoofer port (orange).** This port connects the center / subwoofer speakers. *(optional)*
10. **Rear Speaker Out port (black).** This port connects the rear speakers in a 4-channel, 6-channel, or 8-channel audio configuration. *(optional)*
11. **Line In port (light blue).** This port connects the tape, CD, DVD player, or other audio sources.
12. **Line Out port (lime).** This port connects a headphone or a speaker. In 4-channel, 6-channel, and 8-channel configuration, the function of this port becomes Front Speaker Out.
13. **Side Speaker Out port (gray).** This port connects the side speakers in an 8-channel audio configuration. *(optional)*
14. **Microphone port (pink).** This port connects a microphone.

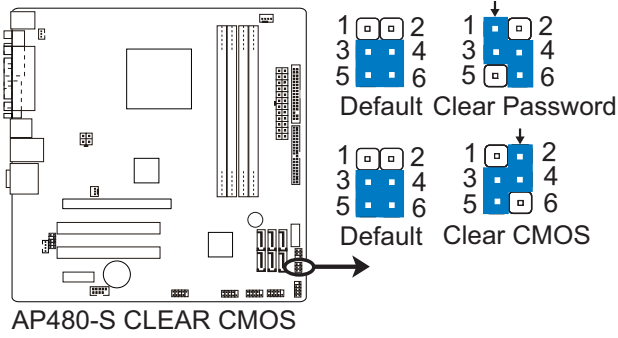
LAN port LED indications

Activity LED			Link LED	
Status	Description		Status	Description
OFF	No link	OFF	No link	
BLINKING	Data activity	GREEN	Linked	

Audio 2, 4, 6, or 8-channel configuration

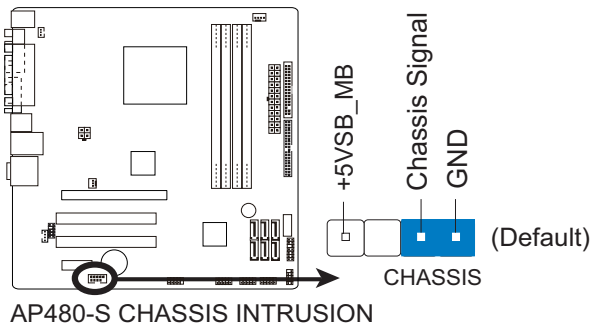
Port	Headset 2-channel	4-channel	6-channel	8-channel
Light Blue	Line In	Line In	Line In	Line In
Lime	Line Out	Front Speaker Out	Front Speaker Out	Front Speaker Out
Pink	Mic In	Mic In	Mic In	Mic In

Function Selectors

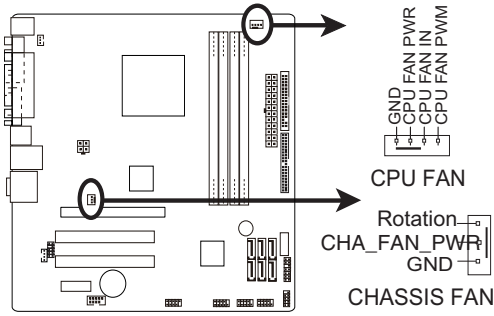


To clear the CMOS password:

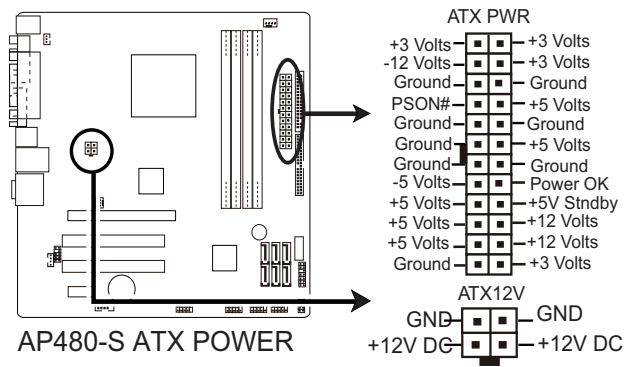
1. Turn OFF the computer and unplug the power cord.
2. Remove the onboard CR2032 battery.
3. Move the jumper cap from pins [1-2] (default) to pins [2-3]. Keep the cap on pins [2-3] for about 5~10 seconds, then move the cap back to pins [1-2].
4. Reinstall the onboard CR2032 battery.
5. Plug the power cord and turn ON the computer.
6. Hold down the key during the boot process and enter BIOS setup to re-configure settings.



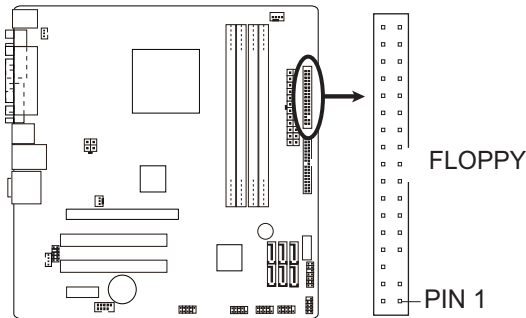
Internal connectors



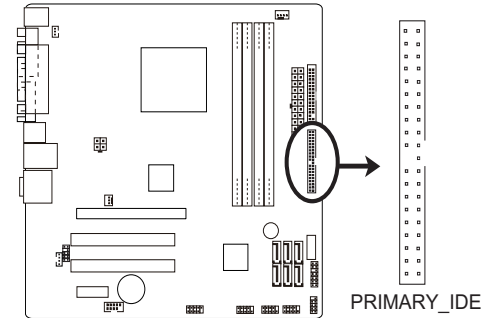
AP480-S FAN CONNECTORS



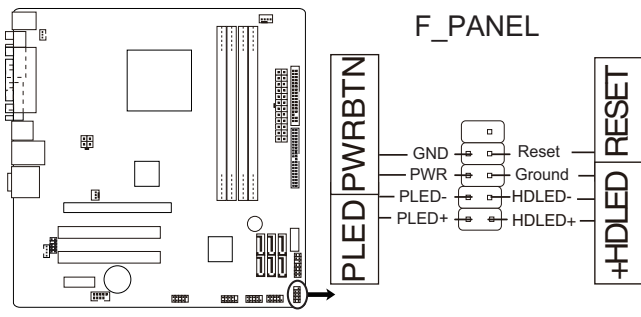
AP480-S ATX POWER



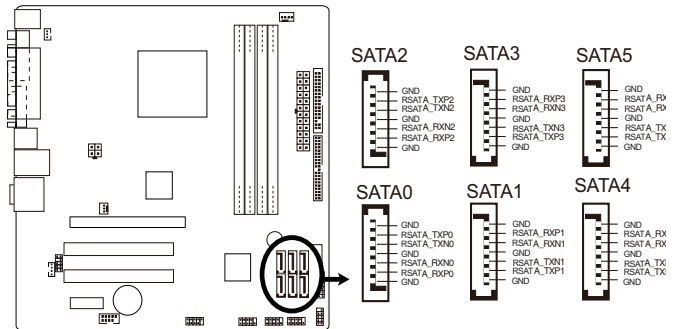
AP480-S FLOPPY DISK DRIVE CONNECTOR



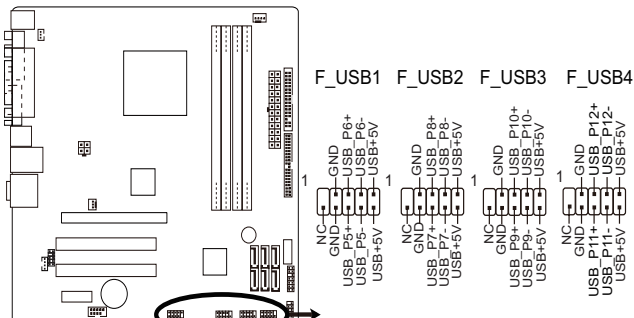
AP480-S IDE CONNECTOR



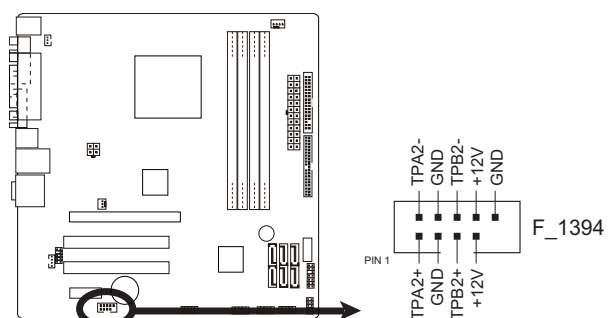
AP480-S FRONT PANEL



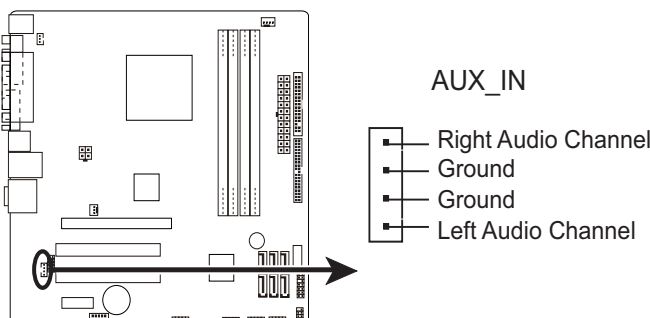
AP480-S SATA CONNECTORS



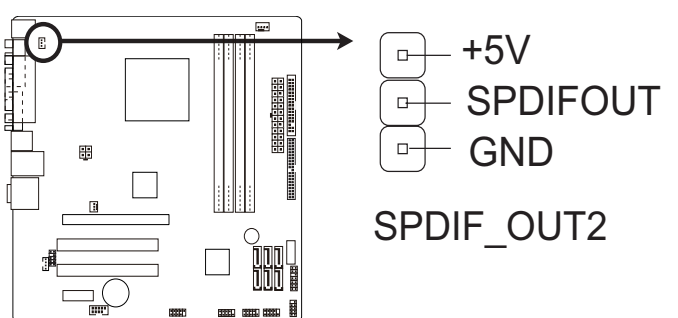
AP480-S USB CONNECTORS



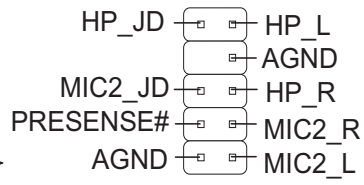
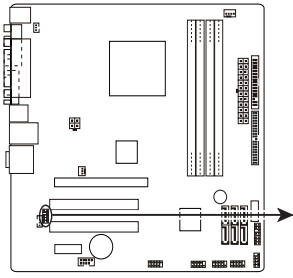
AP480-S INTERNAL IEEE 1394 CONNECTOR



AP480-S AUDIO CD CONNECTOR

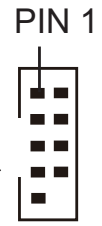
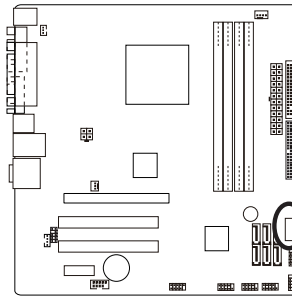


AP480-S DIGITAL AUDIO CONNECTOR



AAFP

AP480-S FRONT PANEL AUDIO CONNECTOR



AP480-S INTERNAL SERIAL PORT CONNECTOR