

PEAK 6320A
Single Board Computer

User's Guide

All brand names are registered trademarks of their owners.

@Copyright 2000

All Rights Reserved

Manual edition 1, January 2000

The information in this document is subject to change without prior notice in order to improve reliability, design and function and does not represent commitment on the part of the manufacturer.

In no event will the manufacturer be liable for direct, indirect, special, incidental, or consequential damages arising out of the use or the possibility of such damages.

This document contains proprietary information protected by copyright. All rights are reserved. No part of this manual may be reproduced by any mechanical, electronic, or other means in any form without prior written permission of the manufacturer.

Trademarks

PEAK 6320A is registered trademarks of NEXCOM Co., Ltd., IBM PC is a registered trademark of International Business Machines Corporation. Intel and Pentium are registered trademarks of Intel Corporation. Award is registered trademarks of Award Software, Inc. Other product names mentioned herein are used for identification purposes only and may be trademarks and/or registered trademarks of their respective companies.

Table of Contents

How to Use This Guide

Chapter 1. Introduction

1.1 Specifications.....	1-3
1.2 What you have from the package.....	1-6

Chapter 2. Switches and Connectors

2.1 Switches.....	2-1
2.2 Connectors.....	2-5

Chapter 3. Capability Expanding

3.1 System Memory.....	3-1
3.2 Cache Memory	3-3
3.3 Change CPU	3-4

Chapter 4. Award BIOS Setup

4.1 Entering Setup.....	4-1		
4.2 The Main Menu	4-4		
4.3 Standard CMOS Setup	4-7		
4.4 BIOS Features Setup.	4-11		
4.5 Chipset Features Setup.....	4-16		
4.6 Power Management Setup.....	4-21		
4.7 PCI & On board I/O setup.....	4-26		
4.8 Integrated Peripherals.....	4-28		
4.9 Supervisor/User Password Setting.....	4-31		
4.10 IDE HDD Auto Detection			
4	-	3	3
4.11 Power On Boot.....	4-36		
4.12 BIOS Reference-POST Message.....	4-37		
4.13 BIOS Reference-POST Code	4-42		
4.14 BIOS Default Drive Table.....	4-48		

Appendix 1 Watch Dog Timer

Appendix 2 Memory Mapping

How to use this guide

This manual is written to help you use Peak 6320A. It describes how to arrange various settings on the Pentium CPU board to meet your requirements. It is briefed as follows:

Chapter 1, “Introduction” gives an overview of the product’s specifications. It also tells you what are included in the product package.

Chapter 2, “Switches and Connectors” describes the definitions and positions of Jumpers and Connectors that you may easily configure and set up per your requirement.

Chapter 3, “Capability Expanding” describes how to change or expand the CPU Board by changing the system memory, cache memory, and CPU to get more power out from the CPU board.

Chapter 4, “Award BIOS Setup” describes how to use the advanced PCI/Green BIOS to control almost every feature of the Peak 6320A, including the watchdog timer.

The Appendix 1 describes how to set up the Watch Dog Timer (WDT) and gives an example to program the WDT.

The Appendix 2 describes the memory mapping of the PEAK 6320A for user’s reference in add-on card or programming.

Chapter 1

1-1 Introduction

The PEAK 6320A is a full size Single Board Computer. It applies Dual Socket 370 FC-PGA based processor, supporting both 66 MHz (Celeron) and 100 MHz (Pentium III) Front Side Bus. The memory it can accommodate is 1 GB SDRAM up to 100 MHz.

Meanwhile, this card is on-board with the following three significant I/Os which help to spare out more PCI slots for other add-on I/Os, i.e. the C&T 69000/69030 VGA/Panel controller through AGP interface; the Intel 82559 Ethernet and the optional SCSI solution – either Adaptec 7880 Ultra Wide SCSI or 7890 Ultra 2 SCSI which will be add-on as a daughter board. Components with all of the above branded and powerful. PEAK 6320A is obviously a formidable platform ideal for heavy duty and computer telephony application.

The other on-board I/Os includes 2S1P, the high precision RTC with battery, the Watch Dog Timer, DOC, IDE × 2, FDC × 1, USB × 2, and PS/2 Keyboard/Mouse.

1-2 Features

- Intel Dual Celeron/Pentium III CPU with 66/100MHz FSB up to 850 MHz
- 1 GB SDRAM (Max.) memory support, DIMM × 4
- Intel 440BX AGP set
- C&T 69000 AGP mode VGA controller with CRT/LCD support
- Intel 82559 10/100 Base Ethernet controller
- Adaptec 7880 UW / 7890 U2 SCSI controller (option)
- On board socket for DiskOnChip up to 288MB
- RS232 × 2 with 16C550 UARTs, optional RS422/485 × 1
- Enhanced parallel port, support SPP/EPP/ECP
- IDE × 2, FDC × 1, PS/2 keyboard/mouse
- USB port × 2
- Watchdog Timer
- ISAMAX support up to 20 slots ISA card

1-3 Specifications

- **System Architecture**
 - Full size SBC with PCI/ISA Golden finger
 - Intel dual Socket 370 Celeron/Pentium III with 66/100MHz FSB
 - PCI V2.1 complied
 - PICMG 1.0 (Rev.2.0) complied
 - Intel MPS1.1 specification complied
- **CPU Support**
 - Intel Celeron/Pentium III CPU with 128/256K cache on die
 - Brand New Socket 370 FC-PGA CPU running at 66/100MHz FSB up to 850 MHz
 - Dual CPU support
 - Support streaming SIMD instruction
 - On board intelligent switching type power regulator ×2
- **Main Memory**
 - Support SDRAM up to 1GB (Max.)
 - 168 pin DIMM socket ×4
 - ECC support (single bit error correction/Multiple bit errors reporting)
- **BIOS**
 - Award System BIOS
 - Plug & Play support
 - Advanced Power Management support
 - Advanced configuration & Power Interface support
 - 2M bits flash ROM
- **Chip Set**
 - Intel 82440BX AGP set
 - 66/100MHz FSB support
 - PCI V2.1 complied
 - Optimized SDRAM support
- **On Board VGA**
 - C&T 69000 AGP mode VGA controller
 - TFT LCD/DSTN LCD/CRT control
 - 2MB SDRAM on die

- Maximum Res. Color & Refresh Rate

Resolution	Colors	Refresh Rate (Hz)
1280×1024	256	60
1024×768	16bits (High color)	85, 75, 60
800×600	24bits (True color)	85, 75, 60

- Driver support : Windows 95/98, Windows NT4.0
- 15 pin CRT connector ×1, 50 pin LCD panel connector ×1
- **On Board LAN**
 - Intel 82559 Single Ethernet controller
 - 10 Base T/100 Base TX support, full duplex
 - Complied with PCI V2.1, IEEE802.3, IEEE 802.3U
 - Backward compatible with former 82558 Ethernet controller base net modules
 - Drivers support : DOS/Windows, Windows 95/98, Windows NT, Netware, SCO Open Server 5.0
 - RJ45 connector ×1
- **On Board SCSI Socket – through Nexcom proprietary PCI interface**
 - Adaptec 7880 Ultra wide / 7890 Ultra 2 SCSI controller (EBK SCSI /EBKSCSI2 Module)
 - Drivers support : Windows 95/98, Windows NT4.0, SCO Open Server 5.0
- **On Board I/O**
 - Winbond W83977 Super I/O on board
 - SIO ×2, with 2×16C550 UARTs, 9 pin D-type ×1, 10 pin HEADER ×1, optional RS422/485 ×1
 - PIO ×1, Bi-directional, EPP/ECP support, 26 pin connector ×1
 - Floppy Disk controller: 5.25" 360K/1.2MB, 3.5" 720K/1.2MB/1.44MB/2.88MB support, 34 pin connector ×1
 - On chip enhanced IDE ×2, PIO up to mode 4, DMA master up to mode 2, Ultra DMA/33 support, 40 pin connector ×2, total 4 E.IDE Devices support
 - On chip keyboard/Mouse controller, 5 pin connector × 1(for other keyboard); 6 pin min DIN connector × 1, PS/2 keyboard/Mouse share by Y cable (for Peak 6320VL/Peak 6320A), 6 pin mini DIN connector × 2 (for Peak 6320/Peak 6320V)
 - On board USB port ×2 (6 pin header ×1)

- On board buzzer ×1
- On board 2 pin header for reset SW, 4 pin for speaker, 5 pin for keylock
- On board 2 pin header for I²C
- **On Board RTC**
 - High precision real time clock/calendar with battery back up
- **On Board Solid State Disk Socket**
 - On board reserved socket for DOC of M-systems : 2MB~144MB, etc
- **System Monitor**
 - Winbond W83782D system monitor controller
 - Seven voltage (For +3.3V, +5V, +12V, -12V, Vtt and Vcore ×2)
 - Two Fan speed (For CPU)
 - Three temperature
 - Drivers support: Windows 95/98, Windows NT4.0
- **ISAMAX Support**
 - Maximize ISA signals to support ISA cards up to 20
- **Watchdog Timer**
 - 1,2,4...64 seconds time-out intervals
- **Dimensions**
 - 340mm(L) × 122mm(W)
- **Power Requirements**
 - +5V : 20A (Max.)
 - +12V: 400mA (Max.)
 - -12V: 50mA (Max.)
- **Environments**
 - Operating temperatures : 0°C to 60°C
 - Storage temperatures : -20°C to 80°C
 - Relative humidity : 10% to 90% (Non-condensing)
- **Certification**
 - CE approval
 - FCC Class A

- **Model Available**

- PEAK 6320A--Full-size Dual Socket 370 Celeron/Pentium III AIO CPU Card
- PEAK 6320VL-- Full-size Dual Socket 370 Celeron/Pentium III CPU Card w/ VGA/LAN
- PEAK 6320V-- Full-size Dual Socket 370 Celeron/Pentium III CPU Card w/ VGA
- PEAK 6320-- Full-size Dual Socket 370 Celeron/Pentium III CPU Card

1-4 What you'll have from the package

In addition to this manual, the PEAK 6320A series package includes the following items.

Model \ ITEM	Peak 6320A	Peak 6320VL	Peak 6320V	Peak 6320
Peak 6320A series CPU card	1	1	1	1
IDE cable	1	1	1	1
FDC cable	1	1	1	1
Serial & Printer port cable	1	1	1	1
5 pin to 5 pin keyboard cable	1	1	1	1
Y cable for keyboard & mouse	1	1	×	×
EBK-SCSI or EBK-SCSI2 module	1	×	×	×
UW or U2 SCSI cable	1	×	×	×
C&T 69000 VGA driver disks	1	1	1	×
Intel 82559 Ethernet driver disks	2	2	×	×
Adaptec 7880/7890 driver disks	3	×	×	×
Winbond W83782D driver disks	3	3	3	3

If any of these items is missed or damaged, please contact your vendor for what you want.

Chapter 2

Switches and Connectors

This chapter gives the definitions and shows where to locate the positions of switches and connectors.

2-1 Switches

Switches on the CPU board are used to select options for different functions used. The switch-on or off is to accommodate the variations of the following table.

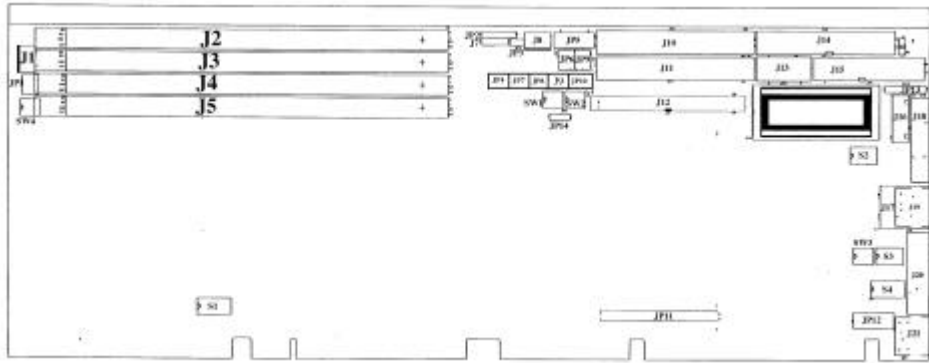


Figure 2-1 Switches Positions

Switch Setting Table (*: default setup)**CPU Frequency**

	S1.1	S1.2	S1.3	S1.4	S1.5	S1.6	S1.7
*100	OFF	OFF	ON	OFF	OFF	OFF	OFF
66	ON	ON	ON	OFF	OFF	ON	OFF

CPU Pipelined

	S1.8
*Enabled	OFF
Disabled	ON

M-System Disk On Chip

	S2.1	S2.2	S2.3
Disabled	OFF	X	X
C0000	ON	ON	ON
C8000	ON	ON	OFF
D0000	ON	OFF	ON
*D8000	ON	OFF	OFF

BIOS Fresh

	S2.4
*Enabled	ON
Disabled	OFF

RTC Clear

	S2.5
Enabled	ON
*Disabled	OFF

COM1 RS232 /RS485/RS422

	S4.1	S4.2	S4.3	S4.4	S4.5	S4.6
*RS232	OFF	ON	OFF	ON	OFF	ON
RS485	ON	OFF	ON	OFF	ON	OFF
RS422	ON	OFF	ON	OFF	ON	OFF

COM1 RS232 /RS485/RS422

	S4.7	S4.8	S3.1	S3.2	S3.3
*RS232	OFF	ON	ON	OFF	OFF
RS485	ON	OFF	OFF	OFF	ON
RS422	ON	OFF	OFF	ON	OFF

Panel Type

SW1.4	SW1.3	SW1.2	SW1.1	
On	On	On	On	1024x768 Dual Scan STN Color Panel
On	On	On	Off	1280x1024 TFT Color Panel
On	On	Off	On	1024x768 Dual Scan STN Color Panel:
On	On	Off	Off	1024x768 Dual Scan STN Color Panel
On	Off	On	On	640x480 Sharp TFT Color Panel
On	Off	On	Off	640x480 18Bit TFT Color Panel
On	Off	Off	On	1024x768 TFT Color Panel
On	Off	Off	Off	800x600 TFT Color Panel
Off	On	On	On	800x600 TFT Color Panel
*Off	On	On	Off	800x600 TFT Color Panel
Off	On	Off	On	800x600 Dual Scan STN Color Panel
Off	On	Off	Off	800x600 Dual Scan STN Color Panel
Off	Off	On	On	1024x768 TFT Color Panel
Off	Off	On	Off	1280x1024 Dual Scan STN Color Panel
Off	Off	Off	On	1024x600 Dual Scan STN Color Panel
Off	Off	Off	Off	1024x600 TFT Color Panel

Panel Director

	SW2.1	SW2.2	SW2.3	SW2.4
MPCLK From PCLK	ON	OFF	X	X
*MPCLK From M	OFF	ON	X	X
DE From M	X	X	ON	OFF
*DE From LP	X	X	OFF	ON

SMI Director

	SW3.1	SW3.2
*PIIX4_SMI	OFF	ON
APIC_SMI	ON	OFF

Flash ROM Size

	SW3.3	SW3.4
1M	ON	OFF
*2M	OFF	ON

CPU Select

	SW4.1	SW4.2	SW4.3	SW4.4
PII Celeron	OFF	ON	OFF	ON
*PIII Process	ON	OFF	ON	OFF

2-2 Connectors

Jumper/Connector define

Connector	Function	Remark
J1,J8	CPU Fan Header	
J2,J3,J4,J5	DIMM Socket	
J7	Speaker Connector	
J9	Reset Connector	
J10	HDD Connector (Primary)	
J11	HDD Connector (Secondary)	
J12	Panel Connector	
J13	COM2	
J14	FDD Connector	
J15	Parallel Connector	
J16	USB Connector	
J17	LAN Connector	
J18	CRT Connector	
J19	MOUSE Connector	
J20	COM1	
J21	KB/MS Connector	
JP1,JP6,JP9	Temperature Connector	
JP2	Key Lock	
JP3	SMBUS Connector	
JP4	LAN Link LED	
JP5	IR Connector	
JP7	LAN Speed LED	
JP8	LAN Active LED	
JP10	HDD LED	
JP11	NEXCOM PCI Connector	
JP12	Keyboard Connector	
JP14	Panel Voltage Connector	
U16	M-SYSTEM DOC	

- Note: 1. Connector JP1 located on a daughterboard, which is an active LED on the SCSI adapter.
2. If LAN is on the board, the connector J17 should be used; if LAN is not on the board, J19 should be used.
3. JP13 is a debug port, and it is not defined.

Pin definitions of connectors

- J1, J8: CPU Fan Header Connector

PIN No.	Description
1	GND
2	+12V
3	Sense

- J7: Speaker Connector

PIN No.	Description
1	Speaker Signal
2	Ground
3	Ground
4	+5V

- J9: Reset Connector

PIN No.	Description
1	Reset
2	Ground

• J10, J11: HDD Connector

PIN No.	Description	PIN No.	Description
1	Reset#	2	Ground
3	Data 7	4	Data 8
5	Data 6	6	Data 9
7	Data 5	8	Data 10
9	Data 4	10	Data 11
11	Data 3	12	Data 12
13	Data 2	14	Data 13
15	Data 1	16	Data 14
17	Data 0	18	Data 15
19	Ground	20	N/C
21	DMA REQ	22	Ground
23	IOW#	24	Ground
25	IOR#	26	Ground
27	IOCHRDY	28	N/C
29	DMA ACK	30	Ground
31	Interrupt	32	N/C
33	SDA 1	34	N/C
35	SDA 0	36	SDA 2
37	HDC CS1#	38	HDC CS3#
39	HDD Active#	40	Ground

• J12: Flat Panel Connector

PIN No.	Description	PIN No.	Description
1	ENABLK	2	+12VSAFE
3	LP	4	DE
5	SHFCLK	6	FLM
7	P0	8	VDD
9	P2	10	P1
11	P4	12	P3
13	P6	14	P5
15	P8	16	P7
17	P10	18	P9
19	P12	20	VDD
21	P14	22	P11
23	Ground	24	P13
25	P16	26	P15
27	P18	28	P17
29	P20	30	ENAVEE
31	P22	32	P19
33	Ground	34	P21
35	P24	36	P23
37	P26	38	P25
39	M/PCLK	40	Ground
41	P28	42	P27
43	P30	44	P29
45	P32	46	P31
47	P34	48	P33
49	Ground	50	P35

• J13, J20: Serial Port Connector

PIN No.	Description
1	Data Carrier Detect (DCD)
2	Receive Data (RXD)
3	Transmit Data (TXD)
4	Data Terminal Ready (DTR)
5	Ground
6	Data Set Ready (DSR)
7	Request to Send (RTS)
8	Clear to Send (CTS)
9	Ring Indicator (RI)

• J14: FDD Connector

PIN No.	Description	PIN No.	Description
1	Ground	2	Density Select bit 0
3	Ground	4	N/C
5	N/C	6	Density Select bit 1
7	Ground	8	Index#
9	Ground	10	Motor Enabled A#
11	Ground	12	Drive Select B#
13	Ground	14	Drive Select A#
15	Ground	16	Motor Enable B#
17	Ground	18	Direction#
19	Ground	20	Step#
21	Ground	22	Write Data#
23	Ground	24	Write Gate#
25	Ground	26	Track 0#
27	Ground	28	Write Protect #
29	N/C	30	Read Data#
31	Ground	32	Head Side Select#
33	N/C	34	Disk Change#

• J15: Parallel Connector

PIN No.	Description	PIN No.	Description
1	Strobe#	2	Data 0
3	Data 1	4	Data 2
5	Data 3	6	Data 4
7	Data 5	8	Data 6
9	Data 7	10	Acknowledge
11	Busy	12	Paper Empty
13	Printer Select	14	Auto Form Feed#
15	Error#	16	Initialize
17	Printer Select IN#	18	Ground
19	Ground	20	Ground
21	Ground	22	Ground
23	Ground	24	Ground
25	Ground	26	Ground

• J16: USB connector

PIN No.	Description
1	+5V
2	USBD0-
3	USBD0+
4	USBD1-
5	USBD1+
6	Ground

• J17: LAN Connector

PIN No.	Description
1	TXO+
2	TXO-
3	RXI+
4	TERMPANE
5	TERMPANE
6	RXI -
7	TERMPANE
8	TERMPANE

• J18: CRT Connector

PIN No.	Description
1	RED
2	GREEN
3	BLUE
4	N/C
5	Ground
6	Ground
7	Ground
8	Ground
9	+5V
10	Ground
11	N/C
12	Display Data Channel data
13	Horizontal Sync
14	Vertical Sync
15	Display Data Channel clock

• J19: Mouse Connector

PIN No.	Description
1	Mouse Data
2	N/C
3	Ground
4	+5V
5	Mouse Clock
6	N/C

• J21: Key Board/Mouse Connector

PIN No.	Description
1	KB/DATA
2	MS/DATA
3	Ground
4	5V
5	KB/CLK
6	MS/CLK

• JP1/JP6/JP9: Temperature Connector

PIN No.	Description
1	Temperature sensor
2	Ground

• JP2: keylock Connector

PIN No.	Description
1	VCC
2	N/C
3	Ground
4	Keylock
5	Ground

• JP3: SMBUS Connector

PIN No.	Description
1	SMBCLK
2	SMBDATA

• JP4: LAN Link LED

PIN No.	Description
1	+5V
2	LINK#

- JP5: IR Connector

PIN No.	Description
1	5V
2	IRRXH
3	IRRX
4	Ground
5	IRTX

- JP7: LAN Speed LED

PIN No.	Description
1	+5V
2	100#

- JP8: LAN Active LED

PIN No.	Description
1	+5V
2	ACTIVE#

- JP10: IDE Active LED

PIN No.	Description
1	+5V
2	ACTIVE#

• JP11: NEXCOM PCI Connector

PIN No.	Description	PIN No.	Description
1	+5V	2	AD0
3	AD1	4	AD2
5	AD3	6	AD4
7	AD5	8	AD6
9	AD7	10	Ground
11	+5V	12	AD8
13	AD9	14	AD10
15	AD11	16	AD12
17	AD13	18	AD14
19	AD15	20	Ground
21	+5V	22	AD16
23	AD17	24	AD18
25	AD19	26	AD20
27	AD21	28	AD22
29	AD23	30	Ground
31	+5V	32	AD24
33	AD25	34	AD26
35	AD27	36	AD28
37	AD29	38	AD30
39	AD31	40	Ground
41	+5V	42	BE#0
43	BE#1	44	BE#2
45	BE#3	46	PAR
47	Frame#	48	TRDY#
49	IRDY#	50	Ground
51	+5V	52	STOP#
53	DEVSEL#	54	N/C
55	SERR#	56	REQ#2
57	GNT#2	58	N/C
59	N/C	60	Ground
61	PCI Clock	62	PCI Clock
63	PCIRST#	64	Lock#
65	IRQ#A	66	IRQ#B
67	IRQ#C	68	IRQ#D

- JP12: Keyboard Connector

PIN No.	Description
1	Keyboard Clock
2	Keyboard Data
3	N/C
4	Ground
5	+5V

- JP14: Panel Voltage

PIN No.	Description
1-2	For VDD 5V Panel
2-3	For VDD 3.3V Panel

Chapter 3

Capability Expanding

This chapter explains how you can expand capability of your CPU board in such aspects as system memory, cache memory, and CPU.

3-1 System Memory

Your system memory is provided by DIMM's (Dual In-line Memory Modules) on the CPU board. The CPU board contains four memory banks: Bank 0, 1, 2, 3, corresponds to connector DIMM1, DIMM2, DIMM3 and DIMM4.

The table below shows possible DIMM configurations for the memory banks.

You can also use the DIMM with parity check. The ECC (Error Checking and Correction) could be turned on if parity DIMMS are used. The ECC will correct one bit error and report two bit errors. Please be noted that the PEAK 6320A only supports the SDRAM.

DIMM 1	DIMM 2	DIMM 3	DIMM 4	Total Memory
16M	16M	16M	16M	64MB
32M	32M	Empty	Empty	64MB
32M	16M	16M	Empty	64MB
64M	Empty	Empty	Empty	64MB
32M	32M	32M	Empty	96MB
64M	32M	Empty	Empty	96MB
64M	64M	Empty	Empty	128MB
32M	32M	32M	32M	128MB
64M	64M	64M	Empty	192MB
64M	64M	16M	16M	192MB
64M	64M	64M	64M	256MB
128M	Empty	Empty	Empty	128MB
128M	128M	Empty	Empty	256MB
128M	128M	128M	Empty	384MB
128M	128M	128M	128M	512MB
256M	Empty	Empty	Empty	256MB
256M	256M	Empty	Empty	512MB
256M	256M	256M	Empty	768MB
256M	256M	256M	256M	1GB

Installing DIMM

To install the DIMM's, first make sure the two handles of the DIMM socket are in the "open" position, i.e. the handles stay outward. Slowly slide the DIMM modules along the plastic guides in the both ends of the socket. Then press the DIMM module down right into the socket, until a click is heard. That means the two handles automatically locked the memory modules into the right position of the DIMM socket as Figure 3-1 shows. To take away the memory module, just push the both handles outward, the memory module will be ejected by the mechanism in the socket.

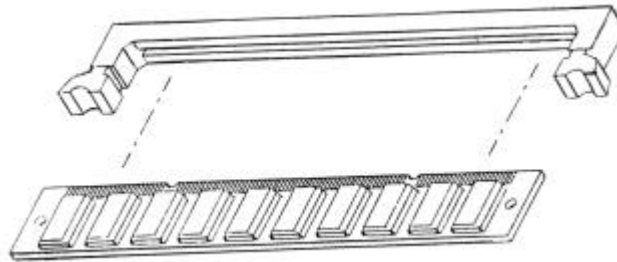


Figure 3-1 Install DIMM

3-2 Cache Memory

Since the second level cache has been embedded into the Pentium II CPU. You do not have to take care of either SRAM chips or SRAM modules. The built-in second level cache in the Pentium II yields much higher performance than the external ones. The cache size in the Pentium II CPU is either 256KB or 512KB. Normally, for workstation and server applications, the 256KB version is good enough. However, if your system is for heavy duty applications, the 512KB version will help a lot. Specifically for our Pentium II based SBC, the Pentium II has another version provide much better data security if combined with the DRAM ECC, please check with your vendor for various Pentium II models.

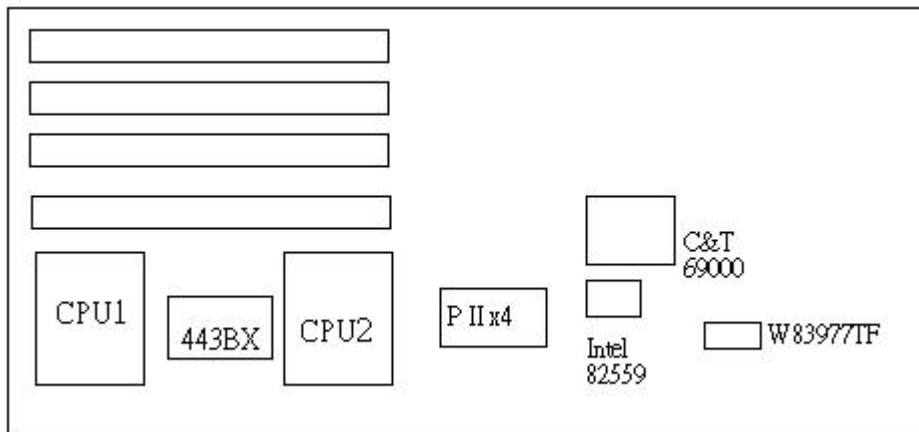


Figure 3-2 Memory Banks

The level 2 cache of the Peak 6320A is built in the Celeron/Coppermine current Celerons have 128 KB on die L2 Cache which is very fast because it's running at the CPU speed. Future Celerons/Coppermine might be upgraded to 256 KB L2 Cache.

3-3 Change CPU

To change the CPU, pull the handling bar of the socket upward to the other end to loosen the socket's openings. Carefully lift the existing CPU up to remove it from the socket.



Figure 3-3 Removing CPU

Place the new CPU on the middle of the socket, orienting its beveled corner to line up with the socket's beveled corner. Make sure the pins of the CPU fit evenly to the socket openings. Replace the handling bar to fasten the CPU to the socket. Be sure to re-arrange the jumper setting for the correct external clock (66MHz or 100MHz) by (SW1.3) (SW1.4).

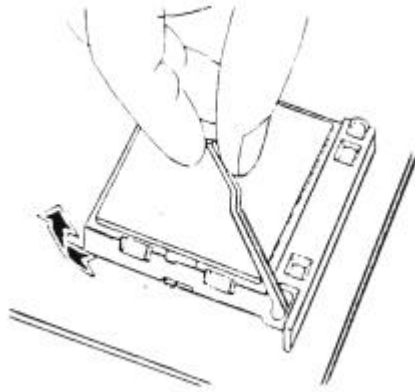


Figure 3-4 Installing CPU

Chapter 4

AWARD BIOS Setup

Award's BIOS ROM has a built-in Setup program that allows users to modify the basic system configuration. This type of information is stored in battery-backed RAM (CMOS RAM) so that it retains the Setup information when the power is turned off.

Entering Setup

Power on the computer and press immediately will allow you to enter Setup. The other way to enter Setup is to power on the computer, when the below message appears briefly at the bottom of the screen during the POST (Power On Self Test), press key or simultaneously press <Ctrl>, <Alt>, and <Esc> keys.

TO ENTER SETUP BEFORE BOOT PRESS <CTRL-ALT-ESC> OR KEY

If the message disappears before you respond and you still wish to enter Setup, restart the system to try again by turning it OFF then ON or pressing the "RESET" button on the system case. You may also restart by simultaneously pressing <Ctrl>, <Alt>, and <Delete> keys. If you do not press the keys at the correct time and the system does not boot, an error message will be displayed and you will again be asked to,

PRESS <F1> TO CONTINUE, <CTRL-ALT-ESC> OR TO ENTER SETUP

<i>Control Keys</i>

Up arrow	Move to previous item
Down arrow	Move to next item
Left arrow	Move to the item in the left hand
Right arrow	Move to the item in the right hand
Esc key	Main Menu -- Quit and not save changes into CMOS Status Page Setup Menu and Option Page Setup Menu -- Exit current page and return to Main Menu
PgUp / "+" key	Increase the numeric value or make changes
PgDn / "-" key	Decrease the numeric value or make changes
F1 key	General help, only for Status Page Setup Menu and Option Page Setup Menu
(Shift)F2 key	Change color from total 16 colors. F2 to select color forward, (Shift) F2 to select color backward
F3 key	Reserved
F4 key	Reserved
F5 key	Restore the previous CMOS value from CMOS, only for Option Page Setup Menu
F6 key	Load the default CMOS value from BIOS default table, only for Option Page Setup Menu
F7 key	Load the Setup default , only for Option Page Setup Menu
F8 key	Reserved
F9 key	Reserved
F10 key	Save all the CMOS changes, only for Main Menu

Getting Help

Main Menu

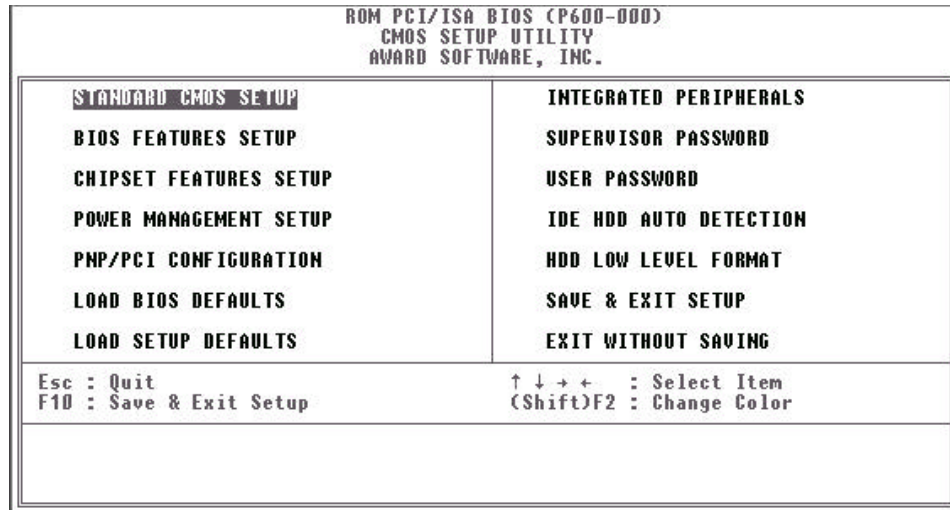
The on-line description of the highlighted setup function is displayed at the bottom of the screen.

Status Page Setup Menu/Option Page Setup Menu

Press F1 to pop up a small help window that describes the appropriate keys to use and the possible selections for the highlighted item. To exit the Help Window press <F1> or <Esc>.

The Main Menu

Once you enter Award BIOS CMOS Setup Utility, the Main Menu (Figure 1) will appear on the screen. The Main Menu allows you to select from ten setup functions and two exit choices. Use arrow keys to select among the items and press <Enter> to accept or enter the sub-menu.



Standard CMOS setup

This setup page includes all the items in a standard compatible BIOS. See Page 4-7 to Page 4-10 for details.

BIOS features setup

This setup page includes all the items of Award special enhanced features. See Page 4-11 to Page 4-15 for details.

Chipset features setup

This setup page includes all the items of chipset special features. See Page 4-16 to Page 4-20 for details.

Power Management setup

This category determines how much power consumption for system after selecting below items. Default value is Disable. See Page 4-21 to Page 4-25 for details.

PNP/PCI CONFIGURATION

This category specifies the assignment of all the IRQ' s and DMA' s. See Page 4-26 to Page 4-27 for details.

Load BIOS defaults

BIOS defaults indicates the most appropriate value of the system parameter which the system would be in minimum performance. The OEM manufacturer may change the defaults through MODBIN before the binary image burn into the ROM.

Load setup defaults

Chipset defaults indicates the values required by the system for the maximum performance. The OEM manufacturer may change to defaults through MODBIN before the binary image burn into the ROM.

Integrated Peripherals System Environment

This category allows you to set up all the on board I/O controllers like IDE, SCSI, FDC, etc.,. See Page 4-28 to Page 4-30

Password Setting

Change, set, or disable password of supervisor or user. It allows you to limit access to the system and Setup, or just to Setup. See Page 4-31 for details.

IDE HDD auto detection

Automatically configure hard disk parameters. See Page 4-32 to Page 4-35.

Save & Exit Setup

Save CMOS value changes to CMOS and exit setup.

Exit without saving

Abandon all CMOS value changes and exit setup.

Standard CMOS Setup Menu

The items in Standard CMOS Setup Menu are divided into 10 categories. Each category includes no, one or more than one setup items. Use the arrow keys to highlight the item and then use the <PgUp> or <PgDn> keys to select the value you want in each item.

Figure 2 Standard CMOS Setup Menu (Support Enhanced IDE)

ROM PCI / ISA BIOS (PEAK-6320A)									
STANDARD CMOS SETUP									
AWARD SOFTWARE, INC.									
Date (mm:dd:yy): Fri. Jan. 28 2000									
Time (hh:mm:ss): 00:00:00									
HARD DISK	: TYPE SIZE CYLS HEAD PRECOMP LANDE SECTOR MODE								
Primary Master	: Auto 0 0 0 0 0 0 Auto								
Primary Slave	: Auto 0 0 0 0 0 0 Auto								
Secondary Master	: Auto 0 0 0 0 0 0 Auto								
Secondary Slave	: Auto 0 0 0 0 0 0 Auto								
Drive A : 1.44M, 3.5 in.									
Drive B : None									
Floppy 3 Mode Support:	Disable								
LCD & CRT:	Both								
Halt On:	All Errors								
<table style="width: 100%; border-collapse: collapse;"> <tr> <td style="width: 60%;">Base Memory:</td> <td style="text-align: right;">640K</td> </tr> <tr> <td>Extended Memory:</td> <td style="text-align: right;">15360K</td> </tr> <tr> <td>Other Memory:</td> <td style="text-align: right;">384K</td> </tr> <tr> <td>Total Memory:</td> <td style="text-align: right;">16384K</td> </tr> </table>		Base Memory:	640K	Extended Memory:	15360K	Other Memory:	384K	Total Memory:	16384K
Base Memory:	640K								
Extended Memory:	15360K								
Other Memory:	384K								
Total Memory:	16384K								
<table style="width: 100%; border-collapse: collapse;"> <tr> <td style="width: 33%;">ESC: Quit</td> <td style="width: 33%; text-align: center;">↑ ↓ → ← : Select Item</td> <td style="width: 33%; text-align: right;">PU/PD/+/-: Modify</td> </tr> <tr> <td>F1: Help</td> <td colspan="2" style="text-align: center;">(Shift) F2 : Change Color</td> </tr> </table>		ESC: Quit	↑ ↓ → ← : Select Item	PU/PD/+/-: Modify	F1: Help	(Shift) F2 : Change Color			
ESC: Quit	↑ ↓ → ← : Select Item	PU/PD/+/-: Modify							
F1: Help	(Shift) F2 : Change Color								

Date

The date format is <day>, <date> <month> <year>. Press <F3> to show the calendar.

Day	The day of week, from Sun to Sat, determined by the BIOS, is read only
date	The date, from 1 to 31 (or the maximum allowed in the month), can key in the numerical / function key
month	The month, Jan through Dec
year	The year, depend on the year of BIOS

Time

The time format is <hour> <minute> <second>, which accepts both function key or numerical key. The time is calculated based on the 24-hour military-time clock. For example, 1 p.m. is 13:00:00.

Primary Master/Primary Slave

The categories identify the types of drives that have been installed in the computer. There are 45 predefined types and 2 user definable types are for Enhanced IDE BIOS. Type 1 to Type 45 are predefined. Type User is user-definable.

Press PgUp/<+> or PgDn/<-> to select a numbered hard disk type or type the number and press <Enter>. Note that the specifications of your drive must match with the drive table. The hard disk will not work properly if you enter improper information for this category. If your hard disk drive type is not matched or listed, you can use Type User to define your own drive type manually.

If you select Type User, related information is asked to be entered to the following items. Enter the information directly from the keyboard and press <Enter>. This information should be provided in the documentation from your hard disk vendor or the system manufacturer.

If the controller of HDD interface is ESDI, the selection shall be "Type 1".

If the controller of HDD interface is SCSI, the selection shall be "None".

If the controller of HDD interface is CD-ROM, the selection shall be "None".

CYLS.	number of cylinders
HEADS	number of heads
PRECOMP	write precom
LANDZON E	landing zone
SECTORS	number of sectors
MODE	HDD access mode

If a hard disk has not been installed select NONE and press <Enter>.

Drive A type/Drive B type

The category identifies the types of floppy disk drive A or drive B that have been installed in the computer.

None	No floppy drive installed
360K, 5.25 in	5-1/4 inch PC-type standard drive; 360 kilobyte capacity
1.2M, 5.25 in	5-1/4 inch AT-type high-density drive; 1.2 megabyte capacity
720K, 3.5 in	3-1/2 inch double-sided drive; 720 kilobyte capacity
1.44M, 3.5 in	3-1/2 inch double-sided drive; 1.44 megabyte capacity
2.88M, 3.5 in	3-1/2 inch double-sided drive; 2.88 megabyte capacity

Video

The category selects the type of adapter used for the primary system monitor that must match your video display card and monitor. Although secondary monitors are supported, you do not have to select the type in Setup.

You have two ways to boot up the system:

1. When VGA as primary and monochrome as secondary, the selection of the video type is "VGA Mode".
2. When monochrome as primary and VGA as secondary, the selection of the video type is "Monochrome Mode".

EGAVGA	Enhanced Graphics Adapter/Video Graphics Array. For EGA, VGA, SEGA, or PGA monitor adapters.
CGA 40	Color Graphics Adapter, power up in 40 column mode
CGA 80	Color Graphics Adapter, power up in 80 column mode
MONO	Monochrome adapter, includes high resolution monochrome adapters

Error Halt

The category determines whether the computer will stop if an error is detected during power up.

No errors	Whenever the BIOS detects a non-fatal error the system will be stopped and you will be prompted.
All errors	The system boot will not be stopped for any error that may be detected.
All, But Keyboard	The system boot will not stop for a keyboard error; it will stop for all other errors.
All, But Diskette	The system boot will not stop for a disk error; it will stop for all other errors.
All, But Disk/Key	The system boot will not stop for a keyboard or disk error; it will stop for all other errors.

Memory

The category is display-only which is determined by POST (Power On Self Test) of the BIOS.

Base Memory

The POST of the BIOS will determine the amount of base (or conventional) memory installed in the system. The value of the base memory is typically 512K for systems with 512K memory installed on the motherboard, or 640K for systems with 640K or more memory installed on the motherboard.

Extended Memory

The BIOS determines how much extended memory is present during the POST. This is the amount of memory located above 1MB in the CPU's memory address map.

Other Memory

This refers to the memory located in the 640K to 1024K address space. This is memory that can be used for different applications. DOS uses this area to load device drivers to keep as much base memory free for application programs. Most use for this area is Shadow RAM.

Total Memory

System total memory is the sum of basic memory, extended memory, and other memory.

BIOS Features Setup Menu

ROM PCI/ISA BIOS (PEAK-6320A)
 BIOS FEATURES SETUP
 AWARD SOFTWARE, INC.

Virus Warning : Disabled CPU Internal Cache : Enabled External Cache : Enabled CPU L2 Cache ECC Checking : Enabled Quick Power on self test : Disabled Boot Sequence : A,C,SCSI Swap Floppy Drive : Disabled Boot up Floppy Seek : Enabled Boot up Numlock Status : On Boot up System Speed : High Gate A20 Option : Fast Typematic Rate Setting : Disabled Typematic Rate (Chars/Sec) : 6 Typematic Delay (Msec) : 250 Security Option : Setup PCI/VGA Palette Snoop : Disabled OS Select For DRAM >64MB : Non-OS2 MPS Version Control for OS : 1.1	Video BIOS Shadow : Enabled C8000-CBFFF Shadow : Disabled CC000-CFFFF Shadow : Disabled D0000-D3FFF Shadow : Disabled D4000-D7FFF Shadow : Disabled D8000-DBFFF Shadow : Disabled DC000-DFFFF Shadow : Disabled ESC : Quit ↑↓←→: Select Item F1 : Help PU/PD/+/-: Modify F5 : Old Values (Shift) F2: Color F6 : Load BIOS Defaults F7 : Load Setup Defaults
---------------------------------------------------------------------------------------------------------------------------------------------------------------------------------------------------------------------------------------------------------------------------------------------------------------------------------------------------------------------------------------------------------------------------------------------------------------------------------------------------------------------------------------------------------------------------------------------------------	------------------------------------------------------------------------------------------------------------------------------------------------------------------------------------------------------------------------------------------------------------------------------------------------------------------------------------------------------------------------------------------------------------------------------

Virus Warning

This category flashes on the screen. During and after the system boots up, any attempt to write to the boot sector or partition table of the hard disk drive will halt the system and the following error message will appear, in the mean time, you can run an anti-virus program to locate the problem.

! WARNING !
 Disk boot sector is to be modified
 Type "Y" to accept write or "N" to abort write
 Award Software, Inc.

Enabled	Activates automatically when the system boots up causing a warning message to appear when anything attempts to access the boot sector or hard disk partition table.
---------	---------------------------------------------------------------------------------------------------------------------------------------------------------------------

Disabled	No warning message to appear when anything attempts to access the boot sector or hard disk partition table.
----------	-------------------------------------------------------------------------------------------------------------

Note: This function is available only for DOS and other OSES that do not trap INT13.

CPU Internal Cache/External Cache

These two categories speed up memory access. However, it depends on CPU/chipset design. The default value is Enable. If your CPU without Internal Cache then this item "CPU Internal Cache" will not be show.

Enabled	Enable cache
Disabled	Disable cache

Quick Power On Self Test

This category speeds up Power On Self Test (POST) after you power on the computer. If it is set to Enable, BIOS will shorten or skip some check items during POST.

Enabled	Enable quick POST
Disabled	Normal POST

Boot Sequence

This category determines which drive computer searches first for the disk operating system (i.e., DOS). Default value is A,C.

C,A	System will first search for hard disk drive then floppy disk drive.
A,C	System will first search for floppy disk drive then hard disk drive.

Note: This function is only available for IDE type
For SCSI type is always boot from A.

Boot Up Floppy Seek

During POST, BIOS will determine if the floppy disk drive installed is 40 or 80 tracks. 360K type is 40 tracks while 760K, 1.2M and 1.44M are all 80 tracks.

Enabled	BIOS searches for floppy disk drive to determine if it is 40 or 80 tracks. Note that BIOS can not tell from 720K, 1.2M or 1.44M drive type as they are all 80 tracks.
---------	-----------------------------------------------------------------------------------------------------------------------------------------------------------------------

Disabled	BIOS will not search for the type of floppy disk drive by track number. Note that there will not be any warning message if the drive installed is 360K.
----------	---------------------------------------------------------------------------------------------------------------------------------------------------------

Boot Up NumLock Status

The default value is On.

On	Keypad is number keys
Off	Keypad is arrow keys

Typematic Rate Setting

This determines the typematic rate.

Enabled	Enable typematic rate and typematic delay programming
Disabled	Disable typematic rate and typematic delay programming. The system BIOS will use default value of this 2 items and the default is controlled by keyboard.

Typematic Rate (Chars/Sec)

6	6 characters per second
8	8 characters per second
10	10 characters per second
12	12 characters per second
15	15 characters per second
20	20 characters per second
24	24 characters per second
30	30 characters per second

Typematic Delay (Msec)

When holding a key, the time between the first and second character displayed.

250	250 msec
500	500 msec
750	750 msec

1000	1000 msec
------	-----------

Security Option

This category allows you to limit access to the system and Setup, or just to Setup.

System	The system will not boot and access to Setup will be denied if the correct password is not entered at the prompt.
Setup	The system will boot, but access to Setup will be denied if the correct password is not entered at the prompt.

Note: To disable security, select PASSWORD SETTING at Main Menu and then you will be asked to enter password. Do not type anything and just press <Enter>, it will disable security. Once the security is disabled, the system will boot and you can enter Setup freely.

PCI/VGA Palette Snoop

It determines whether the MPEG ISA/VESA VGA Cards can work with PCI/VGA or not.

Enabled	When PCI/VGA working with MPEG ISA/VESA VGA Card.
Disabled	When PCI/VGA not working with MPEG ISA/VESA VGA Card.

OS Select for DRAM > 64MB

This segment is specifically created for OS/2 when DRAM is larger than 64MB. If your operating system is OS/2 and DRAM used is larger the 64MB, you have to select "OS 2", otherwise, non-OS2, default is NON-OS2.

Video BIOS Shadow

It determines whether video BIOS will be copied to RAM, however, it is optional from chipset design. Video Shadow will increase the video speed.

Enabled	Video shadow is enabled
---------	-------------------------

Disabled	Video shadow is disabled
----------	--------------------------

C8000 - CFFFF Shadow/D8000 - DFFFF Shadow

These categories determine whether optional ROM will be copied to RAM by 16K byte or 32K byte per/unit and the size depends on chipset.

Enabled	Optional shadow is enabled
Disabled	Optional shadow is disabled

Note: 1. for C8000-DFFFF option-ROM on PCI BIOS , BIOS will automatically enable the shadow RAM. User does not have to select the item.

2. IDE second channel control:

Enable : enable secondary IDE port and BIOS will assign IRQ15 for this port.

Disable: disable secondary IDE port and IRQ15 is available for other device.

The item is optional only for PCI BIOS.

3. Some of the sound cards have an onboard CD-ROM controller which uses IDE Secondary Port. In order to avoid PCI IDE conflict, the IDE secondary channel control has to select "disable" then CD-ROM can work.

Chipset Features Setup Menu

Since the features in this section are related to the chipset in the CPU board and all are optimized, you are not recommended to change the default settings in the setup table, unless you know very detailed of the chipset features.

ROM PCI/ISA BIOS (PEAK-6320A)
 CHIPSET FEATURES SETUP
 AWARD SOFTWARE, INC.

Auto Configuration	: Enabled	Current System Temp	: 0°C/32°F
SDRAM RAS-to-CAS Delay	: 3	Current CPU1 Temperature	: 0°C/32°F
SDRAM RAS Precharge Time	: 3	Current CPU2 Temperature	: 0°C/32°F
SDRAM CAS latency Time	: 3	Current CPU FAN1 Speed	: 0 RPM
SDRAM Precharge Control	: Disabled	Current CPU FAN2 Speed	: 0 RPM
DRAM Data Integrity Mode	: Non-ECC	Vcore 1	: 1.6V
System BIOS Cacheable	: Disabled	VTT	: 1.5 V
Video BIOS Cacheable	: Disabled	+3.3V	: 3.3V
Video RAM Cacheable	: Disabled	+5V	: 5V
8 Bit I/O Recovery Time	: 1	+12V	: 12V
16 Bit I/O Recovery Time	: 1	-12V	: -12V
Memory Hole At 15M-16M	: Disabled	Vcore 2	: 1.6V
Passive Release	: Enabled	Shutdown Temperature	: 75°C/167°C
Delay Transaction	: Enabled		
AGP Aperture Size(MB)	: 64		
		ESC : Quit ↑ ↓ → ← : Select Item F1 : Help PU/PD/+/- : Modify F5 : Old Values (Shift) F2 : Color F6 : Load BIOS Defaults F7 : Load Setup Defaults	

This section describes features of the Intel 440BX PCIset. If your system contains a different chipset, this section will bear little resemblance to what you see on your screen.

ADVANCED OPTIONS. The parameters in this screen are for system designers, service personnel, and technically competent users only. Do not reset these values unless you understand the consequences of your changes.

NOTE: This chapter describes all fields offered by Award Software in this screen. Your system board designer may omit or modify some fields.

Auto Configuration

Auto Configuration selects predetermined optimal values of chipset parameters. When Disabled, chipset parameters revert to setup information stored in CMOS. Many fields in this screen are not available when Auto Configuration is Enabled.

The Choice: Enabled, Disabled.

EDO DRAM Speed Selection

The DRAM timing is controlled by the DRAM Timing Registers. The timings programmed into this register are dependent on the system design. Slower rates may be required in certain system designs to support loose layouts or slower memory.

50ns	DRAM Timing Type.
60ns	DRAM Timing Type.

EDO CASx# MA Wait State

You could select the timing control type of EDO DRAM CAS MA (memory address bus). The choice: 1, 2.

EDO RASx# MA Wait State

You could select the timing control type of EDO DRAM RAS MA (memory address bus). The choice: 1, 2.

SDRAM RAS-to-CAS Delay

You can select RAS to CAS Delay time in HCLKs of 2/2 or 3/3. The system board designer should set the values in this field, depending on the DRAM installed. Do not change the values in this field unless you change specifications of the installed DRAM or the installed CPU. The Choice: 2, 3.

SDRAM RAS Precharge Time

Defines the length of time for Row Address Strobe is allowed to precharge. The Choice: 2, 3

SDRAM CAS latency Time

You can select CAS latency time in HCLKs of 2/2 or 3/3. The system board designer should set the values in this field, depending on the DRAM installed. Do not change the values in this field unless you change specifications of the installed DRAM or the installed CPU. The choice: 2, 3.

DRAM Data Integrity Mode

Select Parity or ECC (error-correcting code), according to the type of installed DRAM. The Choice: Non-ECC, ECC.

System BIOS Cacheable

Select Enabled allows caching of the system BIOS ROM at F000h-FFFFh, resulting in better system performance. However, if any program writes to this memory area, a system error may result.

Enabled	BIOS access cached
Disabled	BIOS access not cached

Video BIOS Cacheable

Select Enabled allows caching of the video BIOS ROM at C0000h-F7FFFh, resulting in better video performance. However, if any program writes to this memory area, a system error may result.

Enabled	Video BIOS access cached
Disabled	Video BIOS access not cached

Video RAM Cacheable

Select Enabled allows caching of the video RAM, resulting in better system performance. However, if any program writes to this memory area, a system error may result.

8 Bit I/O Recovery Time

The recovery time is the length of time, measured in CPU clocks, which the system will delay after the completion of an input/output request. This delay takes place because the CPU is operating so much faster than the input/output bus that the CPU must be

delayed to allow for the completion of the I/O. This item allows you to determine the recovery time allowed for 8 bit I/O. Choices are from NA, 1 to 8 CPU clocks.

16 Bit I/O Recovery Time

This item allows you to determine the recovery time allowed for 16 bit I/O. Choices are from NA, 1 to 4 CPU clocks.

Memory Hole At 15M-16M

In order to improve performance, certain space in memory can be reserved for ISA cards. This memory must be mapped into the memory space below 16 MB.

Enabled	Memory hole supported.
Disabled	Memory hole not supported.

Passive Release

When Enabled, CPU to PCI bus accesses are allowed during passive release. Otherwise, the arbiter only accepts another PCI master access to local DRAM. The choice: Enabled, Disabled.

Delayed Transaction

The chipset has an embedded 32-bit posted write buffer to support delay transactions cycles. Select Enabled to support compliance with PCI specification version 2.1. The choice: Enabled, Disabled.

AGP Aperture Size (MB)

Select the size of the Accelerated Graphics Port (AGP) aperture. The aperture is a portion of the PCI memory address range dedicated for graphics memory address space. Host cycles that hit the aperture range are forwarded to the AGP without any translation. See www.agpforum.org for AGP information.

The choice: 4, 8, 16, 32, 64, 128, 256

Auto Detect DIMM/PCI Clk

This item auto detect the clock generator. The unused pins of DIMM/PCI Clk are disabled. The amplitudes of the radiated electromagnetic emissions are reduced. Choices: Enabled, Disabled.

Spread Spectrum Modulated

The Clock Generator generates a clock that is frequency modulated in order to increase the bandwidth that it occupies. By increasing the bandwidth of the fundamental and its harmonics, the amplitudes of the radiated electromagnetic emissions are reduced.
Choices: Enabled, Disabled.

Power Management Setup

The Power management setup will appear on your screen like this:

ROM PCI/ISA BIOS (PEAK-6320A)
POWER MANAGEMENT SETUP
AWARD SOFTWARE, INC.

<p>ACPI function : Disabled</p> <p>Power Management : User Define</p> <p>PM Control by APM : Yes</p> <p>Video Off Method : V/H SYNC+ Blank</p> <p>Video Off After : Standby</p> <p>Doze Mode : Disabled</p> <p>Standby Mode : Disabled</p> <p>Suspend Mode : Disable</p> <p>HDD Power Down : Disabled</p> <p>Throttle Duty Cycle : 62.5%</p> <p>PCI/VGA Act-Monitor : Disabled</p> <p>IRQ 8 Break Suspend : Disabled</p>	<p>** Reload Global Timer Events **</p> <p>IRQ[3-7, 9-15], NMI : Disabled</p> <p>Primary IDE 0 : Disabled</p> <p>Primary IDE 1 : Disabled</p> <p>Secondary IDE 0 : Disabled</p> <p>Secondary IDE 1 : Disabled</p> <p>Floppy Disk : Disabled</p> <p>Serial Port : Disabled</p> <p>Parallel Port : Disabled</p>
<p>ESC : Quit ↑ ↓ → ← : Select Item</p> <p>F1 : Help PU/PD/+/- : Modify</p> <p>F5 : Old Values (Shift) F2 : Color</p> <p>F6 : Load BIOS Defaults</p> <p>F7 : Load Setup Defaults</p>	

Power Management

This category determines how much power consumption for system after selecting below items. Default value is Disable. The following pages tell you the options of each item & describe the meanings of each options.

Item	Options	Descriptions
A.Power Management	1. Disable	Global Power Management will be disabled
	2. User Define	Users can configure their own power management
	3. Min Saving	Pre-defined timer values are used such that all timers are in their MAX value
	4. Max Saving	Pre-defined timer values are used such that all timers MIN value
B. Video Off Option	1. Always On	System BIOS will never turn off the screen
	2. Suspend->Off	Screen off when system is in SUSPEND mode
	3. Susp, stby->Off	Screen off when system is in STANDBY or SUSPEND mode
	4. All Modes->Off	Screen off when system is in DOZE, STANDBY or SUSPEND mode
C. Video Off Method	1. Blank Screen	The system BIOS will only blanks off the screen when disabling video
	2. V/H SYN C+Blank	In addition to (1), BIOS will also turn off the V-SYNC & H-SYNC signals from VGA cards to monitor
	3. DPMS Supported	This function is enabled for only the VGA card supporting DPMS
		Note: Green monitors detect the V/H SYNC signals to turn off its electron gun

D. Switch Function	1. Break	The External Suspend Switch is "Break"
	2. Wake	The External Suspend Switch is "Wake"
	2. 1 Min 2 Min 4 Min 6 Min 8 Min 10 Min 20 Min 30 Min 40 Min 1 Hr	Defines the continuous idle time before the system entering DOZE mode. if any item defined in (J) is enabled & active, DOZE timer will be reloaded
		Note: Normally,STANDBY mode puts the system into low speed or 8 MHz, screen may be off depend on (E)
E. Doze Speed(div by) Stdby speed (div by)	1/8 2/8 3/8 4/8 5/8 6/8 7/8 8/8	System full speed could be divided by the optional integers, the bigger the number the slower the speed under Doze or standby mode
F. Modem Use IRQ	3,4,5,7,9 4,10,11,NA	For external modem, 3 or 4 will be used for card type modem. It is up to card definition. Default is 3.
G. Standby Mode (*) Remark 1	1. Disable	System will never enter STANDBY mode
	2. 10 sec 1 Min 10 Min 30 Min 1 Hour 2 Hour 20 Min	Defines the continuous idle time before the system entering STANDBY mode. if any item defined in (J) is enabled & active, STANDBY timer will be reloaded
		Note: Normally,STANDBY mode puts the system into low speed or 8 MHz, screen may be off depend on (E)

H. Doze (*) Remark 1	1. Disable	System will never enter STANDBY mode
	2. 1 Min 2 Min 4 Min 6 Min 8 Min 10 Min 20 Min 30 Min 40 Min 1 Hr	Defines the continuous idle time before the system entering STANDBY mode. if any item defined in (J) is enabled & active, STANDBY timer will be reloaded
		Note: Normally,STANDBY mode puts the system into low speed or 8 MHz, screen may be off depend on (E)
I. Suspend Mode (*) Remark 1	1. Disable	System will never enter SUSPEND mode
	2. 1 Min 2 Min 4 Min 6 Min 8 Min 10 Min 20 Min 30 Min 40 Min 1 Hr	Defines the continuous idle time before the system entering SUSPEND mode. if any item defined in (J) is enabled & active, SUSPEND timer will be reloaded
		Note: Normally,SUSPEND mode puts the system into low speed or 8 MHz, clock is stopped, screen may be off depend on (E)
J. HDD Off After:	1. Disable	HDD' s motor will not off
	2.10 Sec 1 Min 10 Min 30 Min 1 Hour	Defines the continuous HDD idle time before the HDD entering power saving mode (motor off)

	2 Hour 4 Hour	
--	------------------	--

K. VGA Activity IRQ3 (COM 2) IRQ4 (COM 1) IRQ5 (LPT 2) IRQ6 (Floppy Disk) IRQ7 (LPT 1) IRQ8 (RTC Alarm) IRQ9 (IRQ2 Redir) IRQ10 (Reserved) IRQ11 (Reserved) IRQ12 (PS/2 Mouse) IRQ13 (Coprocessor) IRQ14 (Hard Disk) IRQ15 (Reserved)	1. Disabled	
	2. Enabled	
L. Power Bottom Over Ride	1. Delay 4 Sec 2. Instant off	

* Remark 1: All items mark with (*) in this menu, will be loaded with predefined values as long as the item 'Power Management' is not configured to 'User Defined'

These items are:

Item 'System Doze' , 'System Standby' & 'System Suspend'

Remark 2: Although the item 'HDD Power Down' is not controlled by item 'Power Management' in terms of timer value, the HDD (s) will not power down if the global power management is disabled!

PnP/PCI Configuration

This section describes configuring the PCI bus system. PCI, or **P**eripheral **C**omponent **I**nterconnect, is a system which allows I/O devices to operate at speeds nearing the speed the CPU itself uses when communicating with its own special components. This section covers some very technical items and it is strongly recommended that only experienced users should make any changes to the default settings.

ROM PCI/ISA BIOS (PEAK-6320A)
PNP/PCI CONFIGURATION
AWARD SOFTWARE, INC.

PNP OS Installed : Yes Resource Controlled By : Manual Reset Configuration Data : Disabled IRQ-3 assigned to : PCI/ISA PnP IRQ-4 assigned to : PCI/ISA PnP IRQ-5 assigned to : PCI/ISA PnP IRQ-7 assigned to : PCI/ISA PnP IRQ-9 assigned to : PCI/ISA PnP IRQ-10 assigned to : PCI/ISA PnP IRQ-11 assigned to : PCI/ISA PnP IRQ-12 assigned to : PCI/ISA PnP IRQ-14 assigned to : Legacy ISA IRQ-15 assigned to : Legacy ISA DMA-0 assigned to : PCI/ISA PnP DMA-1 assigned to : PCI/ISA PnP DMA-3 assigned to : PCI/ISA PnP DMA-5 assigned to : PCI/ISA PnP DMA-6 assigned to : PCI/ISA PnP DMA-7 assigned to : PCI/ISA PnP	Slot 1 Use IRQ No. : Auto Slot 2 Use IRQ No. : Auto Slot 3 Use IRQ No. : Auto Slot 4 Use IRQ No. : Auto Used MEM base addr. : N/A Used MEM Length : 8K Assign IRQ For USB : Disable ESC : Quit ↑ ↓ → ← : Select Item F1 : Help PU/PD/+/- : Modify F5 : Old Values (Shift) F2 : Color F6 : Load BIOS Defaults F7 : Load Setup Defaults
-------------------------------------------------------------------------------------------------------------------------------------------------------------------------------------------------------------------------------------------------------------------------------------------------------------------------------------------------------------------------------------------------------------------------------------------------------------------------------------------------------------------------------------------------------------------------------------------------------------------------------------------------------------------------------------	-----------------------------------------------------------------------------------------------------------------------------------------------------------------------------------------------------------------------------------------------------------------------------------------------------------------------------------------------------------------------------------------------------------------------------

PNP OS Installed

This item allows you to determine install PnP OS or not.
Choices are Yes and No.

Resource Controlled by

The Award Plug and Play BIOS has the capacity to automatically configure all of the boot and Plug and Play compatible devices. However, this capability means absolutely nothing unless you are using a Plug and Play operating system such as Windows® 95.
Choices are *Auto* and *Manual* (default).

Reset Configuration Data

This item allows you to determine reset the configuration data or not.
Choices are *Enabled* and *Disabled* (default).

IRQ/DMA Assigned To

This item allows you to determine the IRQ / DMA assigned to the ISA bus and is not available to any PCI slot. (Legacy ISA) or PnP for both ISA and PCI.
Choices are *Legacy ISA* and *PCI/ISA PnP*.

PCI IRQ Activated by

This sets the method by which the PCI bus recognizes that an IRQ service is being requested by a device. Under all circumstances, you should retain the default configuration unless advised otherwise by your system's manufacturer.
Choices are *Level* (default) and *Edge*.

Integrated Peripherals

ROM PCI / ISA BIOS (PEAK-6320A)
 INTEGRATED PERIPHERALS
 AWARD SOFTWARE, INC.

IDE HDD Block Mode : Enabled IDE Primary Master PIO : Auto IDE Primary Slave PIO : Auto IDE Secondary Master PIO : Auto IDE Secondary Slave PIO : Auto IDE Primary Master UDMA : Disabled IDE Primary Slave UDMA : Disabled IDE Secondary Master UDMA : Disabled IDE Secondary Slave UDMA : Disabled On-Chip Primary PCI IDE : Enabled On-Chip Secondary PCI IDE : Enabled Onboard PCI SCSI chip : Enabled USB Keyboard Support : Disabled Init Display First : PCI slot KBC input clock : 8 MHz Onboard FDC Controller : Enabled Onboard Serial Port 1 : 3F8/IRQ4 Onboard Serial Port 2 : 2F8/IRQ3 UART Mode : Normal	MART 2 Duplex Mode : Half RXD, TXD Active : Hi, Lo IR Transmission delay : Enabled Onboard Parallel port : 378/IRQ7 Parallel Port Mode : SPP ECP Mode Use DMA : 3 EPP Mode Select : EPP1.7 ESC : Quit ↑↓ → ←: Select Item F1 : Help PU/PD/+/- : Modify F5 : Old Values (Shift) F2 : Color F6 : Load BIOS Defaults F7 : Load Setup Defaults
------------------------------------------------------------------------------------------------------------------------------------------------------------------------------------------------------------------------------------------------------------------------------------------------------------------------------------------------------------------------------------------------------------------------------------------------------------------------------------------------------------------------------------------------------------------------------------------------------------------------------------------------------------------------------------------	-------------------------------------------------------------------------------------------------------------------------------------------------------------------------------------------------------------------------------------------------------------------------------------------------------------------------------------------------------------------------------------------------------------------------

IDE HDD Block Mode

This allows your hard disk controller to use the fast block mode to transfer data to and from your hard disk drive (HDD).

Enabled	IDE controller uses block mode.
Disabled (Default)	IDE controller uses standard mode.

IDE Primary/Secondary Master/Slave PIO

The four IDE PIO (Programmed Input/Output) fields let you set a PIO mode (0-4) for each of the four IDE devices that the onboard IDE interface supports. Modes 0 through

4 provide successively increased performance. In Auto mode, the system automatically determines the best mode for each device.

IDE Primary/Secondary Master/Slave UDMA

Ultra DMA/33 implementation is possible only if your IDE hard drive supports it and the operating environment includes a DMA driver (Windows 95 OSR2 or a third-party IDE bus master driver). If your hard drive and your system software both support Ultra DMA/33, select Auto to enable BIOS support. The Choice: Auto (Default), Disabled

On-Chip Primary/Secondary PCI IDE

The integrated peripheral controller contains an IDE interface with support for two IDE channels. Select Enabled (Default) to activate each channel separately.

Onboard PCI SCSI Chip

This item allows you to determine whether onboard PCI SCSI chip is enabled (Default) or not.

USB Keyboard Support

Select Enabled if your system contains a Universal Serial Bus (USB) controller and you have a USB keyboard. The Choice: Enabled, Disabled (Default).

Onboard FDC Controller

Select Enabled if your system has a floppy disk controller (FDC) installed on the system board and you wish to use it. If you install and-in FDC or the system has no floppy drive, select Disabled in this field. Choices: Enabled (Default), Disabled.

Onboard Serial Port 1/Port 2

This item allows you to determine access onboard serial port 1/port 2 controller with which I/O address. The Choice: 3F8/IRQ4, 2F8/IRQ3, 3E8/IRQ4, 2F8/IRQ3, Disabled, Auto (Default).

UART 2 Mode

This item allows you to determine which Infra Red (IR) function of onboard I/O chip. The Choice: Standard (Default), IrDA1.0, ASK-IR, IrDA1.1

Duplex Select

This item allows you to select the IR function when you select the UART 2 Mode is IrDA1.0, ASK-IR, IrDA1.1
Choices are Half, Full.

TxD, RxD Active

This item allows you to determine the active of RxD, TxD.
Choices are "Hi, Hi", "Lo, Lo", "Lo, Hi", "Hi, Lo".

Onboard Parallel Port

Select a logical LPT port name and matching address for the physical parallel (printer) port. The choice: 378H/IRQ7 (Default), 278H/IRQ5, 3BCH/IRQ7, Disabled.

Parallel Port Mode

Select an operating mode for the onboard parallel port. Select Compatible or Extended unless you are certain both your hardware and software support EPP or ECP mode.
The choice: SPP, ECP+EPP1.7, EPP1.7+SPP, EPP1.9+SPP, ECP, ECP+EPP1.9 (Default), and Normal.

ECP Mode Use DMA

Select a DMA channel for the port.
Choices are 3 (Default), 1.

Supervisor/User Password Setting

You can set either supervisor or user password, or both of them. The differences between are:

supervisor password : can enter and change the options of the setup menus.
user password : just can enter but do not have the right to change the options of the setup menus.

When you select this function, the following message will appear at the center of the screen to assist you in creating a password.

ENTER PASSWORD:

Type the password, up to eight characters in length, and press <Enter>. The password typed now will clear any previously entered password from CMOS memory. You will be asked to confirm the password. Type the password again and press <Enter>. You may also press <Esc> to abort the selection and not enter a password.

To disable a password, just press <Enter> when you are prompted to enter the password. A message will confirm the password will be disabled. Once the password is disabled, the system will boot and you can enter Setup freely.

PASSWORD DISABLED.

When a password has been enabled, you will be prompted to enter it every time you try to enter Setup. This prevents an unauthorized person from changing any part of your system configuration.

Additionally, when a password is enabled, you can also require the BIOS to request a password every time your system is rebooted. This would prevent unauthorized use of your computer.

You determine when the password is required within the BIOS Features Setup Menu and its Security option (see Section 4). If the Security option is set to "System", the password will be required both at boot and at entry to Setup. If set to "Setup", prompting only occurs when trying to enter Setup.

IDE HDD Auto Detection

The Enhance IDE features was included in all Award BIOS. Below is a brief description of this feature.

1. Setup Changes

<I> Auto-detection

BIOS setup will display all possible modes that supported by the HDD including NORMAL, LBA & LARGE.

if HDD does not support LBA modes, no 'LBA' option will be shown.

Users can select a mode which is appropriate for them.

ROM/PCI/ISA BOPS (2XXXXXXX)
CMOS SETUP UTILITY
AWARD SOFTWARE, INC.

<u>HARD DISKS</u>	<u>TYPE</u>	<u>SIZE</u>	<u>CYLS</u>	<u>HEAD</u>	<u>PRECOMP</u>	<u>LANDZ</u>	<u>SECTOR</u>
<u>MODE</u>							
Select Primary Master Option (N = Skip) : N							
OPTION	SIZE	CYLS	HEADS	PRECOMP	LANDZONE	SECTORS	
MODE							
1(Y)	516	1120	16	65535	1119	59	
NORMAL							
2	516	524	32	0	1119	63	LBA

<II> Standard CMOS Setup

		<u>CYLS</u>	<u>Heads</u>	<u>Precom</u>	<u>Landzone</u>	<u>Sector</u>	<u>Mode</u>
Primary Master:	User (516MB)	1120	16	65535	1119	59	Normal
Primary Slave:	None (203MB)	684	16	65535	685	38	-----

Secondary	None	0	0	0	0	0	0
Master:							
Secondary Slave	None	0	0	0	0	0	0

When HDD type is in ' user' type, the "MODE" option will be opened for user to select their own HDD mode.

(2) HDD Modes

The Award BIOS supports 3 HDD modes : NORMAL, LBA & LARGE

NORMAL mode

Generic access mode in which neither the BIOS nor the IDE controller will make any transformations during accessing.

The maximum number of cylinders, head & sectors for NORMAL mode are 1024, 16 & 63.

no. Cylinder	(1024)
x no. Head	(16)
x no. Sector	(63)
x no. per sector	(512)
<hr/>	
	528 Megabytes

If user set his HDD to NORMAL mode, the maximum accessible HDD size will be 528 Megabytes even though its physical size may be greater than that!

LBA (Logical Block Addressing) mode

A new HDD accessing method to overcome the 528 Megabyte bottleneck. The number of cylinders, heads & sectors shown in setup may not be the number physically contained in the HDD.

During HDD accessing, the IDE controller will transform the logical address described by sector, head & cylinder number into its own physical address inside the HDD.

The maximum HDD size supported by LBA mode is 8.4 Gigabytes which is obtained by the following formula:

$$\begin{array}{r}
 \text{no. Cylinder} \quad \quad \quad (1024) \\
 \times \text{ no. Head} \quad \quad \quad (255) \\
 \times \text{ no. Sector} \quad \quad \quad (63) \\
 \hline
 \times \text{ bytes per sector} \quad \quad (512) \\
 \hline
 8.4 \text{ Gigabytes}
 \end{array}$$

LARGE mode

Extended HDD access mode supported by Award Software.

Some IDE HDDs contain more than 1024 cylinder without LBA support (in some cases, user do not want LBA). The Award BIOS provides another alternative to support these kinds of HDD!

Example of LARGE mode:

CYLS.	HEADS	SECTOR	MODE
1120	16	59	NORMAL
560	32	59	LARGE

BIOS tricks DOS (or other OS) that the number of cylinders is less than 1024 by

dividing it by 2. At the same time, the number of heads is multiplied by 2. A reverse transformation process will be made inside INT13h in order to access the right HDD address the right HDD address!

Maximum HDD size:

$$\begin{array}{r}
 \text{no. Cylinder} \quad \quad \quad (1024) \\
 \times \text{ no. Head} \quad \quad \quad (32) \\
 \times \text{ no. Sector} \quad \quad \quad (63) \\
 \hline
 \times \text{ bytes per sector} \quad \quad (512) \\
 \hline
 1 \text{ Gigabytes}
 \end{array}$$

(3) Remarks

To support LBA or LARGE mode of HDDs, there must be some softwares involved. All these softwares are located in the Award HDD Service Routine(INT 13h). It may be failed to access a HDD with LBA (LARGE) mode selected if you are running under a Operating System which replaces the whole INT 13h.

Power-On Boot

After you have made all the changes to CMOS values and the system cannot boot with the CMOS values selected in Setup, restart the system by turning it OFF then ON or Pressing the "RESET" button on the system case. You may also restart by simultaneously press <Ctrl>, <Alt>, and <Delete> keys. Upon restart the system, immediately press <Insert> to load BIOS default CMOS value for boot up.

BIOS Reference - POST Message

During the Power On Self Test (POST), if the BIOS detects an error requiring you to do something to fix, it will either sound a beep code or display a message.

If a message is displayed, it will be accompanied by:

PRESS F1 TO CONTINUE, CTRL-ALT-ESC OR DEL TO ENTER SETUP

POST Beep

Currently there is only one beep code in BIOS. This code indicates that a video error has occurred and the BIOS cannot initialize the video screen to display any additional information. This beep code consists of a single long beep followed by two short beeps.

Error Messages

One or more of the following messages may be displayed if the BIOS detects an error during the POST. This list includes messages for both the ISA and the EISA BIOS.

CMOS BATTERY HAS FAILED

CMOS battery is no longer functional. It should be replaced.

CMOS CHECKSUM ERROR

Checksum of CMOS is incorrect. This can indicate that CMOS has become corrupt. This error may have been caused by a weak battery. Check the battery and replace if necessary.

DISK BOOT FAILURE, INSERT SYSTEM DISK AND PRESS ENTER

No boot device was found. This could mean that either a boot drive was not detected or the drive does not contain proper system boot files. Insert a system disk into Drive A: and press <Enter>. If you assumed the system would boot from the hard drive, make sure the controller is inserted correctly and all cables are properly attached. Also be sure the disk is formatted as a boot device. Then reboot the system.

DISKETTE DRIVES OR TYPES MISMATCH ERROR - RUN SETUP

Type of diskette drive installed in the system is different from the CMOS definition. Run Setup to reconfigure the drive type correctly.

DISPLAY SWITCH IS SET INCORRECTLY

Display switch on the motherboard can be set to either monochrome or color. This indicates the switch is set to a different setting than indicated in Setup. Determine which setting is correct, and then either turn off the system and change the jumper, or enter Setup and change the VIDEO selection.

DISPLAY TYPE HAS CHANGED SINCE LAST BOOT

Since last powering off the system, the display adapter has been changed. You must configure the system for the new display type.

EISA Configuration Checksum Error PLEASE RUN EISA CONFIGURATION UTILITY

The EISA non-volatile RAM checksum is incorrect or cannot correctly read the EISA slot. This can indicate either the EISA non-volatile memory has become corrupt or the slot has been configured incorrectly. Also be sure the card is installed firmly in the slot.

EISA Configuration Is Not Complete PLEASE RUN EISA CONFIGURATION UTILITY

The slot configuration information stored in the EISA non-volatile memory is incomplete.

Note: When either of these errors appear, the system will boot in ISA mode, which allows you to run the EISA Configuration Utility.

ERROR ENCOUNTERED INITIALIZING HARD DRIVE

Hard drive cannot be initialized. Be sure the adapter is installed correctly and all cables are correctly and firmly attached. Also be sure the correct hard drive type is selected in Setup.

ERROR INITIALIZING HARD DISK CONTROLLER

Cannot initialize controller. Make sure the cord is correctly and firmly installed in the bus. Be sure the correct hard drive type is selected in Setup. Also check to see if any jumper needs to be set correctly on the hard drive.

FLOPPY DISK CNTRLR ERROR OR NO CNTRLR PRESENT

Cannot find or initialize the floppy drive controller. make sure the controller is installed correctly and firmly. If there are no floppy drives installed, be sure the Diskette Drive selection in Setup is set to NONE.

Invalid EISA Configuration

PLEASE RUN EISA CONFIGURATION UTILITY

The non-volatile memory containing EISA configuration information was programmed incorrectly or has become corrupt. Re-run EISA configuration utility to correctly program the memory.

NOTE: When this error appears, the system will boot in ISA mode, which allows you to run the EISA Configuration Utility.

KEYBOARD ERROR OR NO KEYBOARD PRESENT

Cannot initialize the keyboard. Make sure the keyboard is attached correctly and no keys are being pressed during the boot.

If you are purposely configuring the system without a keyboard, set the error halt condition in Setup to HALT ON ALL, BUT KEYBOARD. This will cause the BIOS to ignore the missing keyboard and continue the boot.

Memory Address Error at ...

Indicates a memory address error at a specific location. You can use this location along with the memory map for your system to find and replace the bad memory chips.

Memory parity Error at ...

Indicates a memory parity error at a specific location. You can use this location along with the memory map for your system to find and replace the bad memory chips.

MEMORY SIZE HAS CHANGED SINCE LAST BOOT

Memory has been added or removed since the last boot. In EISA mode use Configuration Utility to reconfigure the memory configuration. In ISA mode enter Setup and enter the new memory size in the memory fields.

Memory Verify Error at ...

Indicates an error verifying a value already written to memory. Use the location along with your system's memory map to locate the bad chip.

OFFENDING ADDRESS NOT FOUND

This message is used in conjunction with the I/O CHANNEL CHECK and RAM PARITY ERROR messages when the segment that has caused the problem cannot be isolated.

OFFENDING SEGMENT:

This message is used in conjunction with the I/O CHANNEL CHECK and RAM PARITY ERROR messages when the segment that has caused the problem has been isolated.

PRESS A KEY TO REBOOT

This will be displayed at the bottom screen when an error occurs that requires you to reboot. Press any key and the system will reboot.

PRESS F1 TO DISABLE NMI, F2 TO REBOOT

When BIOS detects a Non-maskable Interrupt condition during boot, this will allow you to disable the NMI and continue to boot, or you can reboot the system with the NMI enabled.

RAM PARITY ERROR - CHECKING FOR SEGMENT ...

Indicates a parity error in Random Access Memory.

**Should Be Empty But EISA Board Found
PLEASE RUN EISA CONFIGURATION UTILITY**

A valid board ID was found in a slot that was configured as having no board ID.

NOTE; When this error appears, the system will boot in ISA mode, which allows you to run the EISA Configuration Utility.

**Should Have EISA Board But Not Found
PLEASE RUN EISA CONFIGURATION UTILITY**

The board installed is not responding to the ID request, or no board ID has been found in the indicated slot.

NOTE: When this error appears, the system will boot in ISA mode, which allows you to run the EISA Configuration Utility.

Slot Not Empty

Indicates that a slot designated as empty by the EISA Configuration Utility actually contains a board.

NOTE: When this error appears, the system will boot in ISA mode, which allows you to run the EISA Configuration Utility.

SYSTEM HALTED, (CTRL-ALT-DEL) TO REBOOT ...

Indicates the present boot attempt has been aborted and the system must be rebooted. Press and hold down the CTRL and ALT keys and press DEL.

**Wrong Board In Slot
PLEASE RUN EISA CONFIGURATION UTILITY**

The board ID does not match the ID stored in the EISA non-volatile memory.

NOTE: When this error appears, the system will boot in ISA mode, which allows you to run the EISA Configuration Utility.

BIOS Reference - POST Codes

Note: EISA POST codes are typically output to port address 300h.
ISA POST codes are output to port address 80h.

POST (hex)	Description
C0	<ol style="list-style-type: none"> 1. Turn off OEM specific cache, shadow... 2. Initialize all the standard devices with default values standard devices includes: <ul style="list-style-type: none"> -DMA controller (8237) -Programmable Interrupt Controller (8259) -Programmable Interval Timer (8254) -RTC chip
C1	Auto-detection of onboard DRAM & Cache
C3	<ol style="list-style-type: none"> 1. Test system BIOS checksum 2. Test the first 256K DRAM 3. Expand the compressed codes into temporary DRAM area including the compressed System BIOS & Option ROMs
C5	Copy the BIOS from ROM into E0000-FFFFFF shadow RAM so that POST will go faster
01-02	Reserved
03	Initialize EISA registers (EISA BIOS only)
04	Reserved
05	<ol style="list-style-type: none"> 1. Keyboard Controller Self-Test 2. Enable Keyboard Interface
06	Reserved
07	Verifies CMOS's basic R/W functionality
BE	Program defaults values into chipset according to the MODBINable Chipset Default Table
09	<ol style="list-style-type: none"> 1. Program the configuration register of Cyrix CPU according to the MODBINable Cyrix Register Table 2. OEM specific cache initialization (if needed)
0A	<ol style="list-style-type: none"> 1. Initialize the first 32 interrupt vectors with corresponding Interrupt handlers Initialize INT no from 33-120 with Dummy(Suprious) Interrupt Handler 2. Issue CPUID instruction to identify CPU type 3. Early Power Management initialization (OEM specific)

☛ **This POST code is for boot block**

POST (hex)	Description
C0	1. Turn off OEM specific cache, shadow... 2. Initialize all the standard devices with default values standard devices includes: -DMA controller (8237) -Programmable Interrupt Controller (8259) -Programmable Interval Timer (8254) -RTC chip
C1	Auto-detection of onboard DRAM & Cache
C3	Checking checksum of compressed code
C5	Copy the BIOS from ROM into E0000-FFFF shadow RAM so that POST will go faster
01	Clear base memory 0~640K
0C	Initial interrupt vector 00-1FH
0D	Initial ISA VGA
41H	Enable FDD and detect media type
FFH	Boot from FDD

☞ **This page is for Non-Compressed Version only**

01-02	Reserved
C0	Turn off OEM specific cache, shadow...
03	<ol style="list-style-type: none"> 1. Initialize EISA registers (EISA BIOS only) 2. Initialize all the standard devices with default values Standard devices includes: <ul style="list-style-type: none"> -DMA controller (8237) -Programmable Interrupt Controller (8259) -Programmable Interval Timer (8254) -RTC chip
04	Reserved
05	<ol style="list-style-type: none"> 1. Keyboard Controller Self-Test 2. Enable Keyboard Interface
06	Reserved
07	Verifies CMOS's basic R/W functionality
BE	Program defaults values into chipset according to the MODBINable Chipset Default Table
C1	Auto-detection of onboard DRAM & Cache
C5	Copy the BIOS from ROM into E0000-FFFFFF shadow RAM so that POST will go faster
08	Test the first 256K DRAM
09	<ol style="list-style-type: none"> 1. Program the configuration register of Cyrix CPU according to the MODBINable Cyrix Register Table 2. OEM specific cache initialization (if needed)
0A	<ol style="list-style-type: none"> 1. Initialize the first 32 interrupt vectors with corresponding Interrupt handlers Initialize INT no from 33-120 with Dummy(Suprious) Interrupt Handler 2. Issue CPUID instruction to identify CPU type 3. Early Power Management initialization (OEM specific)

9 The following POST Codes are for all of Compress Version & Non-Compress Version

POST (hex)	Description
0B	<ol style="list-style-type: none"> 1. Verify the RTC time is valid or not 2. Detect bad battery 3. Read CMOS data into BIOS stack area 4. PnP initializations including (PnP BIOS only) <ul style="list-style-type: none"> -Assign CSN to PnP ISA card -Create resource map from ESCD 5. Assign IO & Memory for PCI devices (PCI BIOS only)
0C	Initialization of the BIOS Data Area (40 : 00 – 40:FF)
0D	<ol style="list-style-type: none"> 1. Program some of the Chipset's value according to Setup. (Early Setup Value Program) 2. Measure CPU speed for display & decide the system clock speed 3. Video initialization including Monochrome, CGA, EGA/VGA. If no display device found, the speaker will beep which consists of one single long beep followed by two short beeps.
0E	<ol style="list-style-type: none"> 1. Initialize the APIC (Multi-Processor BIOS only) 2. Test video RAM (If Monochrome display device found) 3. Show messages including: <ul style="list-style-type: none"> -Award Logo, Copyright string, BIOS Date code & Part No. -OEM specific sign on messages -Energy Star Logo (Green BIOS ONLY) -CPU brand, type & speed -Test system BIOS checksum(Non-Compress Version only)
0F	DMA channel 0 test
10	DMA channel 1 test
11	DMA page registers test
12-13	Reserved
14	Test 8254 Timer 0 Counter 2.
15	Test 8259 interrupt mask bits for channel 1
16	Test 8259 interrupt mask bits for channel 2
17	Reserved
19	Test 8259 functionality
1A-1D	Reserved
1E	If EISA NVM checksum is good, execute EISA initialization (EISA BIOS only)
1F-29	Reserved
30	Detect Base Memory & Extended Memory Size

31	<ol style="list-style-type: none">1. Test Base Memory from 256K to 640K2. Test Extended Memory from 1M to the top of memory
----	----------------------------------------------------------------------------------------------------------------------------------------------------

32	<ol style="list-style-type: none">1. Display the Award Plug & Play BIOS Extension message (PnP BIOS only)2. Program all onboard super I/O chips (if any) including COM ports, LPT ports, FDD port... according to setup value
33-3B	Reserved
3C	Set flag to allow users to enter CMOS Setup Utility
3D	<ol style="list-style-type: none">1. Initialize Keyboard2. Install PS2 mouse

POST(hex)	Description
3E	Try to turn on Level 2 cache Note: Some chipset may need to turn on the L2 cache in this stage. But usually, the cache is turn on later in POST 61h
3E	Try to turn on Level 2 cache Note: Some chipset may need to turn on the L2 cache in this stage. But usually, the cache is turn on later in POST 61h
BF	1. Program the rest of the Chipset's value according to Setup. (Later Setup Value Program) 2. If auto-configuration is enabled, programmed the chipset with pre-defined values in the MODBINable Auto-Table
41	Initialize floppy disk drive controller
42	Initialize Hard drive controller
43	If it is a PnP BIOS, initialize serial & parallel ports
44	Reserved
45	Initialize math coprocessor.
46-4D	Reserved
4E	If there is any error detected (such as video, kb...), show all the error messages on the screen & wait for user to press <F1> key
4F	1. If password is needed, ask for password 2. Clear the Energy Star Logo (Green BIOS only)
50	Write all CMOS values currently in the BIOS stack area back into the CMOS
51	Reserved
52	1. Initialize all ISA ROMs 2. Later PCI initializations (PCI BIOS only) -assign IRQ to PCI devices -initialize all PCI ROMs 3. PnP Initializations (PnP BIOS only) -assign IO, Memory, IRO & DMA to PnP ISA devices -initialize all PnP ISA ROMs 4. Program shadows RAM according to Setup settings 5. Program parity according to Setup setting 6. Power Management Initialization -Enable/Disable global PM -APM interface initialization
53	1. If it is NOT a PnP BIOS, initialize serial & parallel ports 2. Initialize time value in BIOS data area by translate the RTC time value into a timer tick value
60	Setup Virus Protection (Boot Sector Protection) functionality according to Setup settin

<i>BIOS Default Drive Table</i>

This is a current list of the drive type table contained in Setup.

Type	Size (MB)	Cylinders	Heads	Sectors	Write Precomp	Land Zone	Example Model
1	10	306	4	17	128	305	TEAC SD510, MMI 112, 5412
2	20	615	4	17	300	615	Seagate ST225, ST4026
3	30	615	6	17	300	615	
4	62	940	8	17	512	940	
5	46	940	6	17	512	940	
6	20	615	4	17	None	615	Seagate ST125, Tandon TM262
7	30	462	8	17	256	511	
8	30	733	5	17	None	733	Tandon TM 703
9	112	900	15	17	None	901	
10	20	820	3	17	None	820	
11	35	855	5	17	None	855	
12	49	855	7	17	None	855	
13	20	306	8	17	128	319	Disctron 526, MMI M125
14	42	733	7	17	None	733	
15		Reserved					
16	20	612	4	17	0	663	Microscience HH725, Syquest 3250, 3425
17	40	977	5	17	300	977	
18	56	977	7	17	None	977	
19	59	1024	7	17	512	1023	
20	30	733	5	17	300	732	

21	42	733	7	17	300	732	
22	30	306	5	17	300	733	Seagate ST4038
23	10	977	4	17	0	336	

24	40	1024	5	17	None	976	Seagate ST4051
25	76	1224	9	17	None	1023	Seagate ST4096
26	71	1224	7	17	None	1223	Maxtor 2085
27	111	1224	11	17	None	1223	Maxtor 2140, Priam S14
28	152	1024	15	17	None	1223	Maxtor 2190, Priam S19
29	68	1024	8	17	None	1023	Maxtor 1085, Micropolis 1325
30	93	918	11	17	None	1023	Maxtor 1105 1120, 4780
31	83	925	11	17	None	1023	Maxtor 1170
32	69	1024	9	17	None	926	CDC 9415
33	85	1024	10	17	None	1023	
34	102	1024	12	17	None	1023	
35	110	1024	13	17	None	1023	
36	119	1024	14	17	None	1023	
37	17	1024	2	17	None	1023	
38	136	1024	16	17	None	1023	
39	114	918	15	17	None	1023	Maxtor 1140, 4380
40	40	820	6	17	None	820	Seagate ST251
41	42	1024	5	17	None	1023	Seagate 4053 Miniscribe 3053/6053
42	65	1024	5	26	None	1023	Miniscribe 3053/6053 RLL
43	40	809	6	17	None	852	Miniscribe 3650
44	61	809	6	26	None	852	Miniscribe 3675 RLL
45	100	776	8	33	None	775	Conner CP3104
46	203	684	16	38	None	685	Conner CP3204
User							

Appendix 1

Watch Dog Timer

Watch Dog Timer Working Procedure

The Watch Dog Timer (WDT) is the special hardware device. The WDT function is to monitor the computer system whether work normally, otherwise, it will have some measures to fix up the system.

It contains a receivable SQW signal from RTC, and could set time and can clear the counter function. When time is up, WDT can send Reset or NMI signal.

Operator has to write a value into WDT Configuration Register (Write the control value to the Configuration Port), and clear WDT counter (read the Configuration Port).

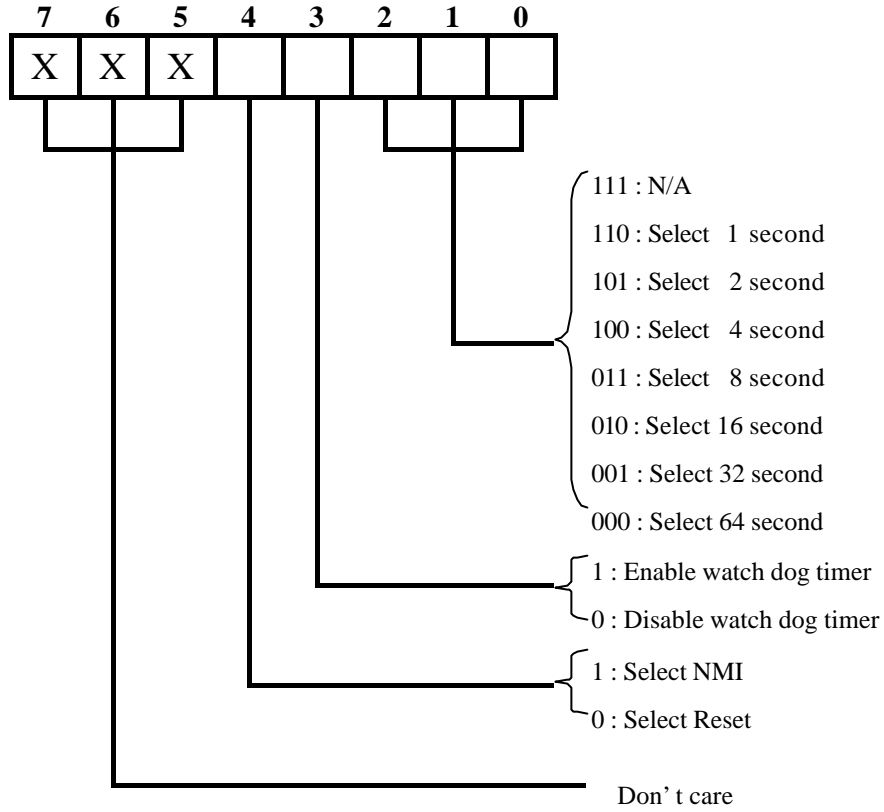
Watch Dog Timer character and function

WDT Configuration port	F2	Default at F2
Watch Dog Timer	Disabled Enabled	1. Default at disabled 2. Enabled for user's programming
WDT Time out active for	Reset NMI	Default at Reset
WDT Active Time	1 sec 2 sec 4 sec 8 sec 16 sec 32 sec 64 sec	Default at 64 sec

Watch Dog Timer Control Register

The Watch Dog Timer Control Register is to control the WDT working mode. You can write the value to WDT Configuration Port.

The following is the Control Register bit definition.



Watch Dog Timer Programming Procedure

• Power on or reset the system

The initial value of WDT Control Register (D4~D0) is zero, when power is on or reset the system. The following means the initial value of WDT (00000000b) :

Bit	Value	Mean
4	0	Select Reset
3	0	Disable watch dog timer
2, 1, 0	000	Select 64 second

• Initialize the SQW of RTC (set SQW output period=0.5 second)

To initialize the SQW of RTC processor is to set the SQW signal which is output period=0.5 second. It offers the basic frequency of the WDT counter.

The following is an example of **initializing the SQW signal program** in Intel 8086 assembly language.

```

; (Generate SQW = 0.5 Sec.)
Mov dx, 70h
Mov ax, 0Ah
Out dx, al      ; Out port 70h = 0Ah
Mov dx, 71h
Mov ax, 2Fh
Out dx, al      ; Out port 71h = 2Fh
; (enable the SQW output)
Mov dx, 70h
Mov ax, 0Bh
Out dx, al      ; Out port 70h = 0Bh
Mov dx, 71h
Mov ax, 0Ah
Out dx, al      ; Out port 71h = 0Ah

```


- **Clear the WDT**

Repeatedly read WDT Configuration Port and the interval cannot be longer than the preset time, otherwise, the WDT will generate NMI or Reset signal for the system.

The following is an example of **clear the WDT program** in Intel 8086 assembly language.

```
; ( Clear the WDT)
Mov  dx, F2h ;Setting the WDT configuration port
In   al, dx
```

Note: Before running WDT, you must clear the WDT. It means to make sure the initial value is zero before enabling the WDT.

- **WDT Control Register (Write to WDT configuration port)**

You can set the WDT Control Register to control the WDT working mode.

The initial value of the WDT Control Register is as the following.

```
; (Setting the WDT Control Register as AL)
Mov  al, 0h ; Setting initial value = 0 for the WDT Control Register
```

You must plan the option of following:

1. Select NMI or Reset: decide D4 value in F2.

i.e. Setting D4 = 0, then it select Reset

```
AND  al, 11101111b ; Select Reset
```

i.e. Setting D4 = 1, then it select NMI

```
OR  al, 00010000b ; Select NMI
```

2. Select the time-out intervals of WDT (decide the values of D2, D1, D0 in F2)

Example: D2~D0 = 0, the time-out interval will be 64 sec.

```
AND  al, 11111000b ; Setting the time-out interval as 64 sec.
```

3. Enable or Disable the WDT (decide D3 value in F2)

i.e. D3=0, Disable the WDT

```
AND    al, 11110111b ; Disable the WDT
```

i.e. D3=1, Enable the WDT

```
OR     al, 00001000b ; Enable the WDT
```

After finishing the above setting, you must be output for the Control Register's value to the WDT Configuration Port. Then WDT will start according to the above setting.

```
MOV    dx, F2h ; Setting WDT Configuration Port
OUT    dx, al ; Output the Control Register Value
```

- You should build in a mechanism in the program to continue to read the WDT Configuration Port for clearing WDT before the time out.

Appendix 2 Memory Mapping

