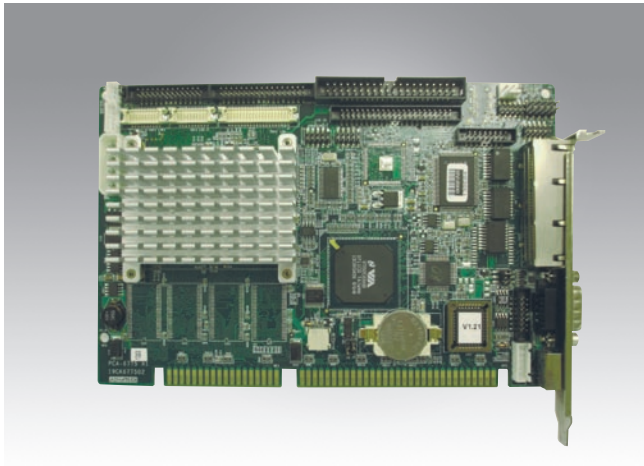


# PCA-6775

VIA ISA Half-sized SBC, with  
VGA/LVDS/TTL/LAN/SSD/USB 2.0



## Features

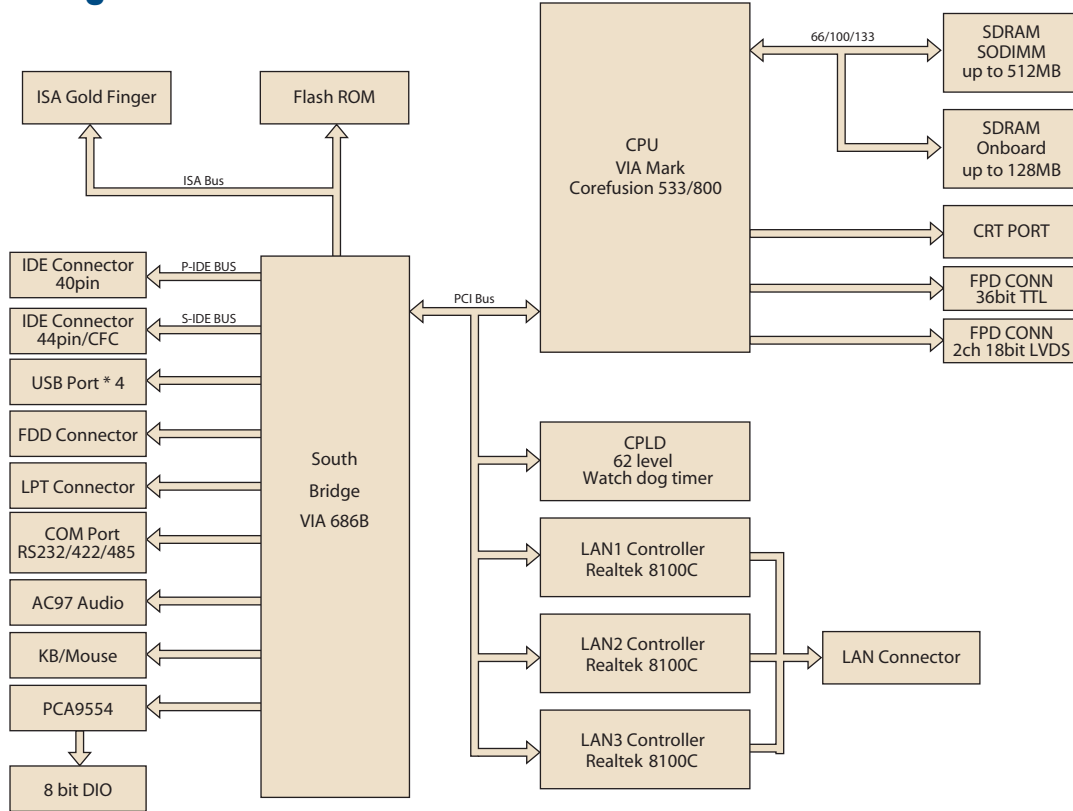
- VIA Mark 533/800 MHz CPU
- 128 MB Memory on board, support 1 SODIMM socket SDRAM up to 512 MB
- 10/100 Base-T Ethernet
- Low power consumption and fanless



## Specifications

Processor System	CPU	VIA Mark	
	Max. Speed	533/800 MHz	
	L2 Cache	64 KB	
	Chipset	VIA Mark + 686B	
Bus	BIOS	Award 4 Mbit ISA	
	Front Side Bus	133 MHz	
	PCI	-	
	ISA	16-bit/ Gold Finger	
Memory	Technology	PC133 SDRAM	
	Max. Capacity	512 MB	
	Socket	144-pin SDRAM SODIMM x 1	
Graphics	Controller	Chipset integrated VGA controller VGA mode:1920 x 1440 @ 75 Hz LCD mode:1600 x 1200	
	VRAM	Shared with system memory up to 8/16/32 MB	
	LVDS	36-bit LVDS	
	TTL	36-bit TTL LCD	
	Dual Display	VGA+LVDS or VGA+TTL	
Ethernet	Interface	10/100Base-T	
	Controller	RTL8100C	
	Connector	RJ-45	
EIDE	Mode	ATA 100/66/33	
	Channel	2	
SATA (150MB/s)	port	-	
I/O Interface	USB	Max. 4 (USB 2.0 compliant)	
	Serial	1 (RS-232) / 1 (RS-232/RS-422/RS-485)	
	Parallel	1	
	FDD	1	
	PS/2	1 (for mouse and Keyboard, Y cable included)	
Watchdog Timer	Output	Interrupt, system reset	
	Interval	Programmable, 0 ~ 62 sec.	
Miscellaneous	Audio Output	AC97 Audio interface(requires an audio extension module P/N: PCM-231A-00A1E)	
	Solid State Disk	Compact Flash socket(Type I/II)	
Power Requirement	Typical	VIA Mark 533MHz with 256MB SDRAM +12 V (0.04 A)	+5 V (2.2 A)
	Max	VIA Mark 533MHz with 256MB SDRAM +12 V (0.01 A)	+5 V (1.64 A)
Environment	Temperature	Operating	Non-Operating
		0 ~ 65° C	- 20 ~ 70° C
Physical	Dimensions	185 mm (L) x 122 mm (W) (7.3" x 4.8")	

## Board Diagram



## Ordering Information

Part Number	CPU	Onboard Memory	FE LAN
PCA-6775F-L0A1E	VIA Mark 533 MHz	128 MB	RTL8100C x 1
PCA-6775F-Q0A1E	VIA Mark 800 MHz	-	RTL8100C x 1
PCA-67753F-Q0A1E	VIA Mark 800 MHz	-	RTL8100C x 3
PCA-67753F-L0A1E	VIA Mark 533 MHz	-	RTL8100C x 3

## Bracket View



PCA-6775F-L0A1E  
PCA-6775F-Q0A1E

## Packing List

Part Number	Description	Quantity
1700060202	Y Cable for PS/2 Keyboard, PS/2 Mouse	x 1
1701400452	E-IDE (HDD) Cable, 2.54 mm pitch	x 1
1701440500	S-IDE (HDD) Cable, 2.0 mm pitch	x 1
1701340603	FDD Cable	x 1
1700260250	Parallel Port Cable	x 1
1703100260	USB cable with 2 ports	x 1
1701140201	COM Port Cable (RS-232/422/485)	x 1
1700002343	Power Cable	x 1
9689000002	Jumper pack	x 1
-	Startup manual	x 1
-	Utility CD	x 1

## Accessories

Part Number	Description
IPC-644BP-15ZE	4-slot chassis w/ 150W power supply
IPC-6806SB-15ZBE	6-slot chassis w/ 150W power supply
1703100260	USB cable with 2 ports (2.0mm pitch)
CF-HDD-ADP	CompactFlash 50-pin to IDE 44-pin adapter
PCM-231A-00A1E	Audio module with Line-in, Line-out, Mic
9689000042	IrDA adapter