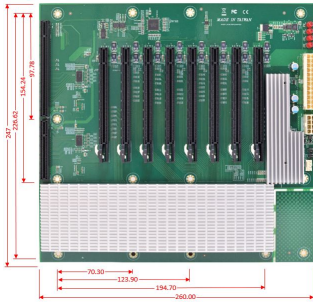


PICMG 1.3 Backplane

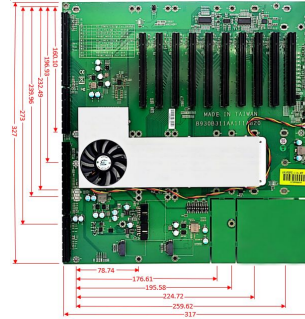
PICMG 1.3 BACKPLANE

Non-Server Grade Backplane



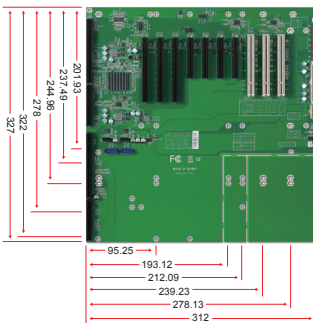
PBPE-09A-MT
8-Slot [PCIe x16 (2, x16 Signal), PCIe x 16 (6, x8 Signal)]

- Fit for 4U Chassis
- ATX 24 Pin Power Connector
- 12V ATX 8 Pin Power Connector
- Heatsink



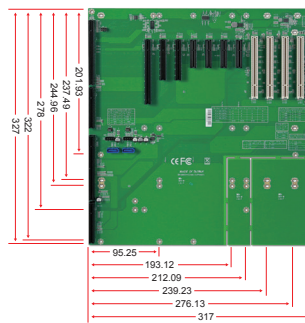
PBPE-11A-MT
10-slot [PCIe x16 (10, x16 Signal)]

- Fit for 4U Chassis
- Heatsink
- Four USB ports
- Dual SATA II ports
- ATX 24 pin Power Connector
- 12V ATX 8 Pin Power Connector
- System Reset Pin Header



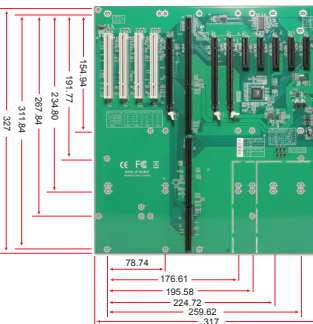
PBPE-11A3
11-Slot [PCIe x16(1), PCIe x16 (2, x8 signal), PCIe x8 (4, x1 signal), PCIe (3)]

- Fit for 4U Chassis
- Four USB ports
- Two SATA ports
- Support PCIe Gen3 with ROBO-8112/8113 series



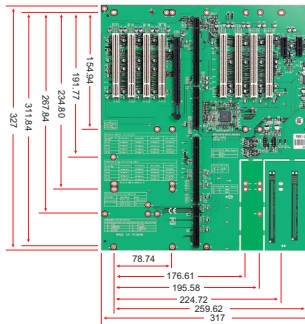
PBPE-12P4
12-Slot [PCIe x16 (1, x8 signal), PCIe x8 (2, x4 signal), PCIe x4 (4, x1 signal), PCI (4)]

- Fit for 4U Chassis
- Four USB ports
- Two SATA ports
- Support PCIe Gen3 with ROBO-8112/8113 series



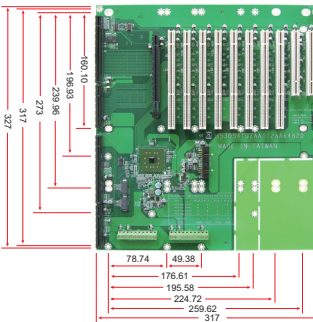
PBPE-13A4
13-slot [PCIe x16(1), PCIe x16(2, x1 signal), PCIe x4(5, x1 signal), PCI(4)]

- Fit for 4U chassis
- Four USB 2.0 ports
- Dual SATA II ports



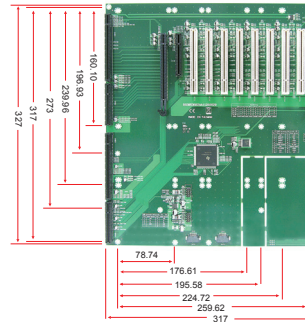
PBPE-13A8
13-slot [PCIe x1 (3), PCIe x16 (1), PCI (8)]

- Fit for 4U chassis
- Four USB ports
- Dual SATA ports
- 24-pin ESP12V power connector



PBPE-12AA64
12-slot [PCI-X (8), PCIe x16 (1), PCI (2)]

- Fit for 4U chassis
- Four USB ports
- Dual SATA ports
- Two PCI-X buses support eight PCI-X expansion slot

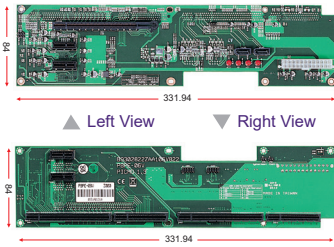


PBPE-12A9
12-slot [PCIe x16 (1), PCIe x8 (1, x4 signal), PCI (9)]

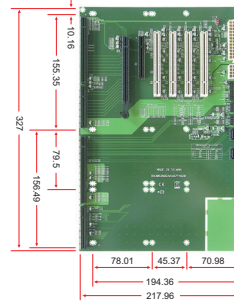
- Fit for 4U chassis
- Four USB ports
- Dual SATA ports



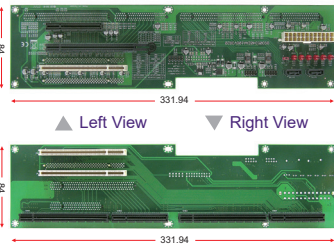
PICMG 1.3 Backplane



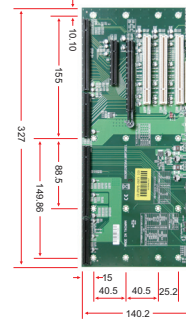
PBPE-06V
Vertical 6-slot [PCIe x1 (4), PCIe x16 (1)]
 - Fit for 2U chassis
 - Four USB ports
 - Dual SATA ports
 - 24-pin ESP 12V power connector



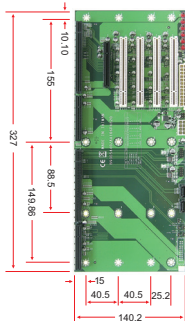
PBPE-07P4
7-slot [PCIe x8 (1, x4 signal), PCIe x16 (1), PCI (4)]
 - Fit for Node chassis
 - Four USB ports
 - Dual SATA ports



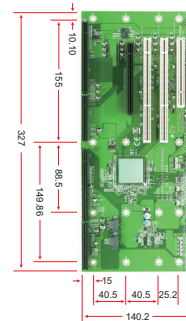
PBPE-06V3
Vertical 6-slot [PCIe x8 (1, x4 signal), PCIe x16 (1), PCI (3)]
 - Fit for 2U chassis
 - Four USB ports
 - Dual SATA ports



PBPE-06P3
6-slot [PCIe x16 (1), PCIe x4 (1), PCI (3)]
 - Fit for Node chassis
 - Four USB ports
 - Dual SATA ports



PBPE-06P4
6-slot [PCIe x8 (1, x4 signal), PCI (4)]
 - Fit for Node chassis
 - Four USB ports
 - Dual SATA ports



PBPE-05A364
5-slot [PCIe x16 (1), PCI-X (2), PCI (1)]
 - Fit for Node chassis
 - Four USB ports
 - Dual SATA ports
 - Two PCI-X buses support two PCI-X expansion slot

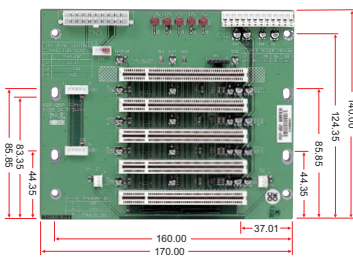
PIC & ISA Backplane

PCI GENERAL DESCRIPTION

- Compact size backplane for half size PCI SBC
- PICMG 1.0 Rev 2.1 Compliant (PCI golden finger only)
- Support AT or ATX type power connector
- 4-layer PCB with power and ground planes to reduce power noise and maintain a lower impedance
- Frame rated PCB at 94-V0
- User friendly design supports external K/B connector, power for chassis fan and power indicator

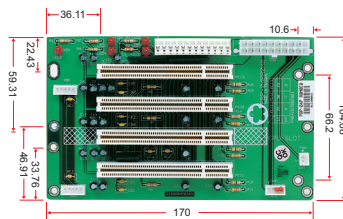
PBP-05P

5-slot Passive PCI Backplane



PBP-04P

4-slot Passive PCI Backplane



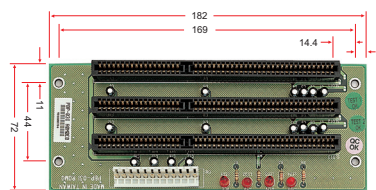
ISA GENERAL DESCRIPTION

- 4-layer PCB with ground and power planes for reducing noise and keeping lower impedance
- Frame Rated PCB at 94-V0
- LED power indicator for +5V, +12V, -5V and 12V
- Heavy duty terminal block connector for industrial power supply wiring(*)
- Equipped with gold-plated socket for good contact
- Easy cut for dual or multi systems(*)
- Plug-in sockets of termination resistors for high-speed signal.(*)

“(*)” means for most part of products

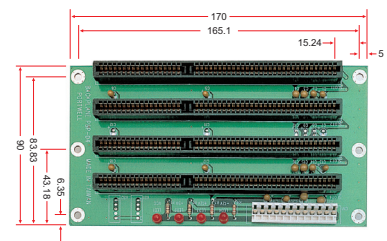
PBP-03I

3-slot Passive ISA Backplane



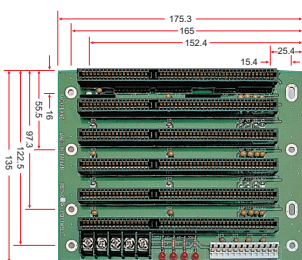
PBP-04I

4-slot Passive ISA Backplane



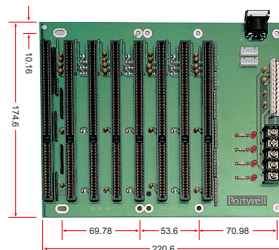
PBP-06I

6-slot Passive ISA Backplane



PBP-08I

8-slot Passive ISA Backplane



PBP-14I

14-slot Passive ISA Backplane

