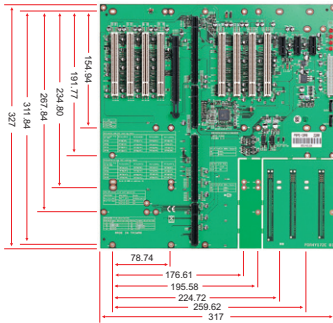
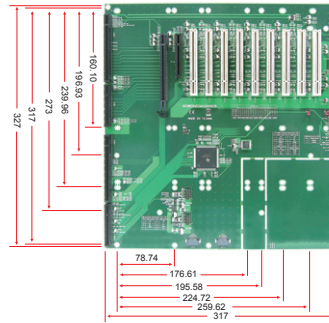


PICMG Backplane

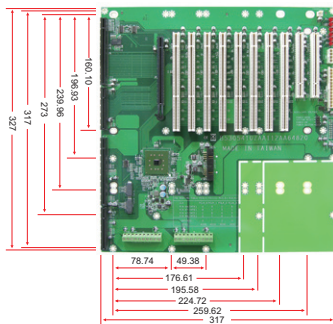
Non-Server Grade Backplane



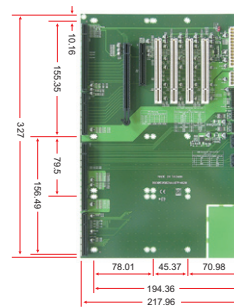
PBPE-13A8
13-slot [PCI-E x1 (3), PCI-E x16 (1), PCI (8)]
 - Fit for 4U chassis
 - Dedicated to ROBO-8912VG2AR
 - Four USB ports
 - Dual SATA ports
 - 24-pin ESP12V power connector



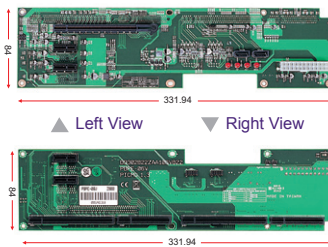
PBPE-12A9
12-slot [PCI-E x16 (1), PCI-E x8 (1), x4 signal), PCI (9)]
 - Fit for 4U chassis
 - Dedicated to ROBO-8912VG2AR
 - Four USB ports
 - Dual SATA ports



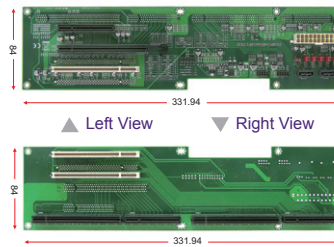
PBPE-12AA64
12-slot [PCI-X (8), PCI-E x16 (1), PCI (2)]
 - Fit for 4U chassis
 - Dedicated to ROBO-8912VG2AR
 - Four USB ports
 - Dual SATA ports
 - Two PCI-X buses support eight PCI-X expansion slot



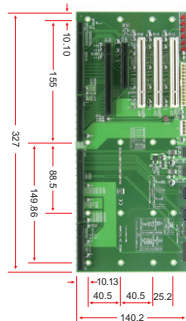
PBPE-07P4
7-slot [PCI-E x4 (1), PCI-E x16 (1), PCI (4)]
 - Fit for Node chassis
 - Dedicated to ROBO-8912VG2AR
 - Four USB ports
 - Dual SATA ports



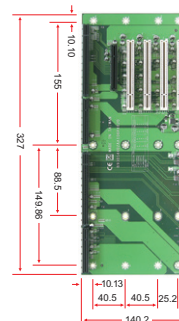
PBPE-06V
Vertical 6-slot [PCI-E x1 (4), PCI-E x16 (1)]
 - Fit for 2U chassis
 - Dedicated to ROBO-8912VG2AR
 - Four USB ports
 - Dual SATA ports
 - 24-pin ESP 12V power connector



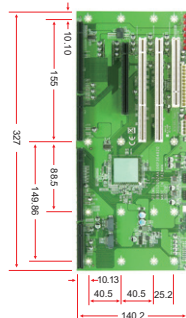
PBPE-06V3
Vertical 6-slot [PCI-E x4 (1), PCI-E x16 (1), PCI (3)]
 - Fit for 2U chassis
 - Dedicated to ROBO-8912VG2AR
 - Four USB ports
 - Dual SATA ports



PBPE-06P3
6-slot [PCI-E x16 (1), PCI-E x4 (1), PCI (3)]
 - Fit for Node chassis
 - Dedicated to ROBO-8912VG2AR
 - Four USB ports
 - Dual SATA ports



PBPE-06P4
6-slot [PCI-E x8 (1, x4 signal), PCI (4)]
 - Fit for Node chassis
 - Dedicated to ROBO-8912VG2AR
 - Four USB ports
 - Dual SATA ports



PBPE-05A364
5-slot [PCI-E x16 (1), PCI-X (2), PCI (1)]
 - Fit for Node chassis
 - Dedicated to ROBO-8912VG2AR
 - Four USB ports
 - Dual SATA ports
 - Two PCI-X buses support two PCI-X expansion slot