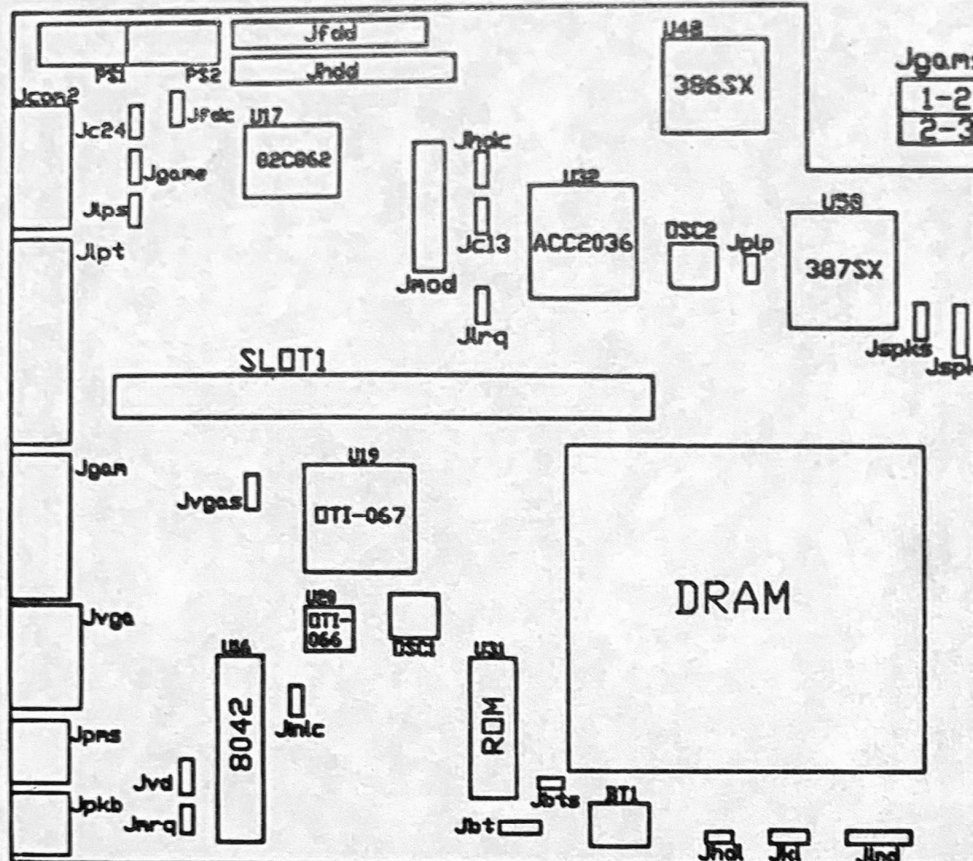


# CONNECTORS, JUMPERS SETTING

5737411417



- PS1, PS2: Power supply connector  
 Jpkb: PS/2 keyboard port connector  
 Jpms: PS/2 mouse port connector  
 Jmod: Modem port connector (COM1)  
 Jcom2: COM2 port connector  
 Jlpt: LPT port connector  
 Jbt: External battery connector  
 Jind: Front panel indicator connector  
 Jfdd: FDD connector  
 Jhdd: HDD connector  
 Jhdi: Hard disk indicator connector  
 Jkl: Keylock connector  
 Jvga: VGA port connector  
 Jgam: Game port connector  
 Jspk: External speaker connector  
 Jspks: Internal/external speaker select jumper
- |     |                                  |
|-----|----------------------------------|
| 1-2 | Onboard Buzzer Enabled (Default) |
| 2-3 | Using an External Speaker        |

Jgam: Game port enabled/disabled select jumper

1-2	Onboard Game Port Disabled
2-3	Onboard Game Port Enabled (Default)

Jfdd: FDC primary/secondary select jumper

1-2	Primary FDC, 3F0-3F7 (Default)
2-3	Secondary FDC, 370-377

Jhdc: HDC primary/secondary select jumper

1-2	Primary HDC, 1F0-1F7 (Default)
2-3	Secondary HDC, 170-177

Jc13: COM1/COM3 select jumper

1-2	Select COM1, 3F8-3FF (Default)
2-3	Select COM3, 3E8-3EF

Jc24: COM2/COM4 select jumper

1-2	Select COM2, 2F8-2FF (Default)
2-3	Select COM4, 2E8-2EF

Jlps: LPT port select jumper

1-2	Select LPT1, 378-37F (Default)
2-3	Select LPT2, 278-27F

Jlrq: LPT interrupt select jumper

1-2	Select IRQ5, LPT2
2-3	Select IRQ7, LPT1 (Default)

Jmrq: Mouse port interrupt select jumper

Jumped	Select IRQ12 (Default)
Open	None

Jvga: VGA enabled/disabled select jumper

1-2	Onboard VGA Enabled (Default)
2-3	Onboard VGA Disabled

Jvd: Display mode select jumper

1-2	Mono mode
2-3	Color mode (Default)

Jppl: Pipelined/non-pipelined select jumper

Jumped	Select Pipelined 80386SX (Default)
Open	Select Non-pipelined 80386SX

Jnlc: Interlaced/non-interlaced select jumper

Jumped	Select Interlaced monitor (Default)
Open	Select Non-interlaced Monitor

Jbts: Battery select jumper

Jumped	Onboard Battery Enabled (Default)
Open	Using an External Battery