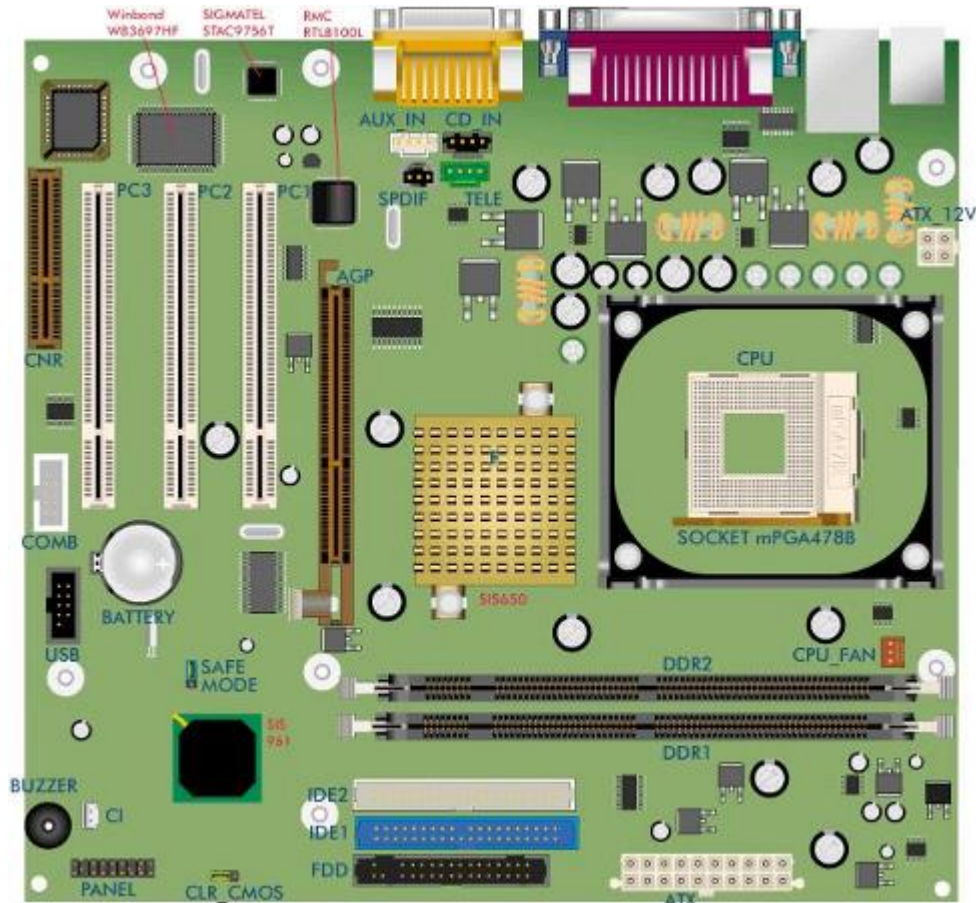


Packard Bell Columbia M/Board



Specification

- **Audio:** SigmaTel Technologies STAC9756T - audio codec
- **Bios:** AMI
- **Chipset :**
 - SiS 650 IGUI HMAc 3D Graphic SDR/DDR
 - SiS 961 MuTIOL Media I/O
- **CPU Support :** Socket MPGA 478B.
 - Supports Intel P4 FC-PGA2 (0.18 Micron, 256K cache, 400 MHz FSB), 1.4 to 2.4 GHz
 - Supports Intel P4 FC-PGA2 (0.13 Micron, 512K cache, 400 MHz FSB), 1.8 to 2.4 GHz
 - Supports Intel Celeron FC-PGA2 (0.18 Micron, 128K cache 400 MHz FSB) 1.9 GHz
 - 100 MHz (x4 = 400 MHz) data bus support (Quad-Bumped technology).
- **Ethernet :** Realtek RTL8100(BL) 10/100
- **Form Factor :** ATX 24.4 x 22.9 cm Form Factor.
- **RAM :**
 - Supports 2 memory slots.
 - Serial Presence Detect (SPD) support.
 - Supports a maximum memory size of 512 MB (using 2x256 MB memory modules).
 - Support only 2.5 V DIMM DDRAM configurations.
 - Unbuffered type support.
 - 266 Mhz DDR interface.

Jumpers

Jumper	Configuration
CLR_CMOS	1-2: Enable 2-3: Normal (default)
SAFEMODE	1-2: Normal (default) 2-3: Safe Mode

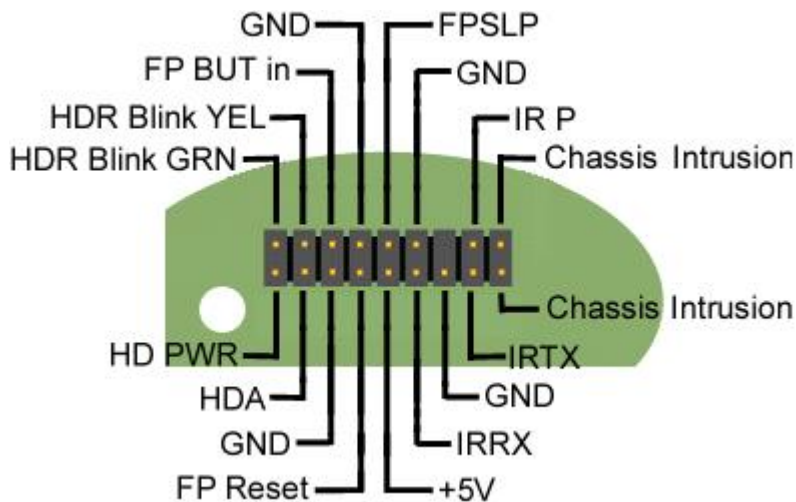
Connectors

- 3x PCI slots
- 2x DB9 serial ports
- 1x DB25 parallel port with SPP, ECP, EPP, BPP modes
- 1x PS/2 keyboard port
- 1x PS/2 mouse port
- 4x USB connectors.
- 1x MIDI port
- 1x Microphone input (Mic-In)
- 1x Line-In
- 1x Line-Out
- 1x Aux In
- 1x RJ45 connector
- 2x IDE connectors
- 1x Floppy connector
- 1x CNR connector

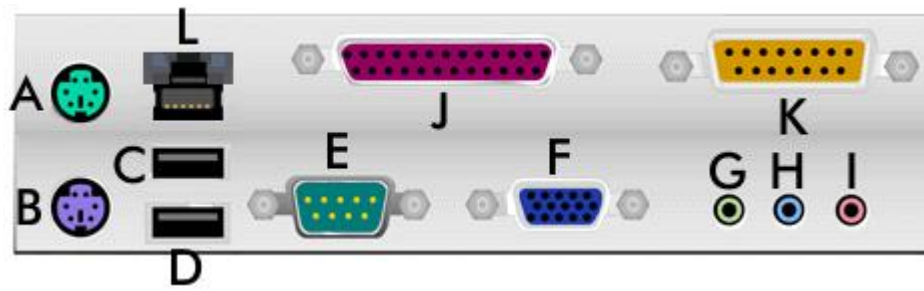
Note: The CNR connector is a combo slot with the bottom PCI connector. Use either the CNR or the PCI connector; you cannot use both connectors at the same time.

Note: Keyboard and mouse ports are not swappable.

Front Panel Connector



Back Panel



- A - PS/2 mouse port
- B - PS/2 keyboard port
- C - USB port 1
- D - USB port 2
- E - Serial port
- F - VGA
- G - Stereo line-out
- H - Stereo line-in
- I - Mono microphone-in
- J - Parallel port
- K - MIDI and game port
- L - RJ45 LAN Connector