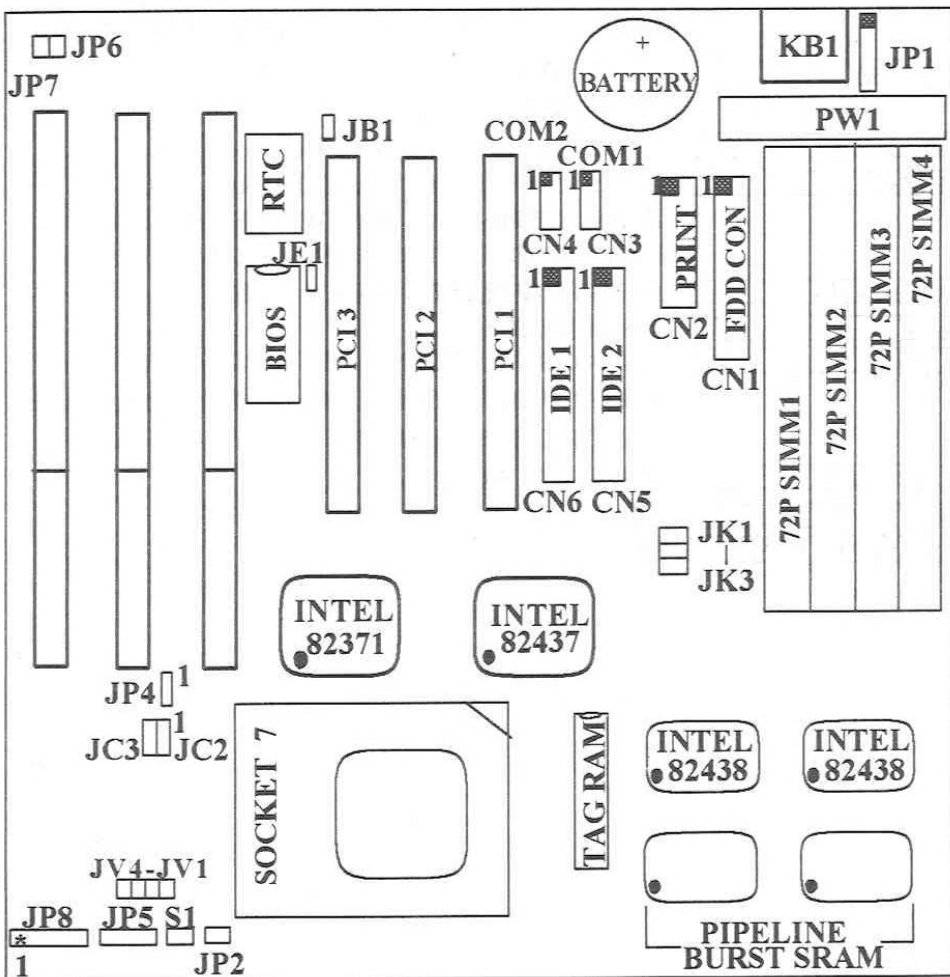


EXP. SLOT	: 3 X ISA AND 3 X PCI SLOTS.
CHIPSET	: INTEL 82437FX SYSTEM CONTROLLER INTEL 82371FB PCI ISA IDE XCELERATOR. INTEL 82438FX PENTIUM DATA PATH UNIT.
CACHE SIZE	: BURST/PIPELINED SRAM 256K.
BIOS	: AWARD BIOS.
I/O FUNCTION	: ON BOARD 2 x PCI IDE DEVICES , 1 x FDC , 2 x SERIAL PORTS(16550 FAST COM),1x PARALLEL PORT DEVICE /EPP/ECP.
BOARD SIZE	: 22 CM x 24.5 CM.
GREEN FUNCTION	: YES
I.R. FUNCTION	: OPTIONAL

CHAPTER 2. INSTALLATION

2-1 LAYOUT REFERENCE



- JP2 : HDD LED
- JP5 : SPEAKER
- JP8 : KEYLOCK
- S1 : RESET

2-2 PENTIUM PI JUMPER SETTINGS

1. JK1-JK3,JC2,JC3,JP4 : CPU CLOCK SELECTOR

(RED/ YELLOW JUMPER CAP)

CPU SPEED	CLOCK SPEED	RATIO	JK1	JK2	JK3	JC2	JC3	JP4
75MHZ	(50MHZ)	1.5	ON	ON	OFF	1-2	1-2	1-2
90MHZ	(60MHZ)	1.5	ON	OFF	ON	1-2	1-2	2-3
100MHZ	(66MHZ)	1.5	ON	ON	ON	1-2	1-2	2-3
120MHZ	(60MHZ)	2	ON	OFF	ON	1-2	2-3	2-3
133MHZ	(66MHZ)	2	ON	ON	ON	1-2	2-3	2-3
150MHZ	(60MHZ)	2.5	ON	OFF	ON	2-3	2-3	2-3
166MHZ	(66MHZ)	2.5	ON	ON	ON	2-3	2-3	2-3

NOTE : 1. PCI CLOCK = SYSTEM CLOCK / 2

2. JP4 IS SET AS " 1-2 " ONLY WHEN CPU IS 75MHZ .

2. JV1,JV2,JV3,JV4 : CPU VOLTAGE SELECTOR (BLACK JUMPER CAP)

	P54C 3.3V (DEFAULT)	P55CT
JV1	ON	OFF
JV2	ON	OFF
JV3	ON	OFF
JV4	ON	OFF

THIS MAIN BOARD IS DESIGNED FOR INTEL PENTIUM CPU ONLY.

3. JP7 : MONITOR TYPE SELECTOR (BLACK JUMPER CAP)

	COLOR	MONOCHROME
JP7	OFF (DEFAULT)	ON

4. JB1 : BATTERY SELECTOR (BLACK JUMPER CAP)

	NORMAL	CLEAR CMOS
JB1	OFF (DEFAULT)	ON

☞ IF YOU FORGET PASSWORD, YOU MUST CLEAR CMOS RAM AND RECONFIGURE THE SYSTEM.

5. PS/2 MOUSE SELECTOR (BLACK JUMPER CAP)

	ENABLED	DISABLED
JP6	ON	OFF

☞ PS/2 MOUSE CABLE IS OPTIONAL THE PIN #1 IS YELLOW COLOR.

6. OTHER JUMPER SETTINGS AND CONNECTORS :

- JP1 : PS/2 MOUSE CONNECTOR.
- JP2 : ONBOARD HDD LED CONNECTOR.
- JP5 : SPEAKER CONNECTOR.
- JP8 : KEYLOCK CONNECTOR.
- S1 : RESET CONNECTOR
- CN1 : FLOPPY DISK CONNECTOR.
- CN2 : PARALLEL PORT CONNECTOR.
- CN3 : SERIAL PORT 1 CONNECTOR.
- CN4 : SERIAL PORT 2 CONNECTOR.
- CN5 : SECONDARY IDE CONNECTOR
- CN6 : PRIMARY IDE CONNECTOR.

Addendum FOR PENTIUM P.I. MAIN BOARD

JUMPER SETTINGS FOR CYRIX 6X86 CPU & AMD 5K86-P75 CPU.

CPU SPEED	CLOCK SPEED	RATIO	JK1	JK2	JK3	JC2	JC3	JP4
INTEL 75 MHZ AMD 5K86-P 75	(50MHZ)	1.5	ON	ON	OFF	1-2	1-2	1-2
CYRIX P120 +	(50MHZ)	2	ON	ON	OFF	1-2	2-3	2-3
INTEL 90 MHZ AMD 5K86-P 90	(60MHZ)	1.5	ON	OFF	ON	1-2	1-2	2-3
INTEL 100 MHZ AMD 5K86-P 100	(66MHZ)	1.5	ON	ON	ON	1-2	1-2	2-3
INTEL 120 MHZ CYRIX P150 +	(60MHZ)	2	ON	OFF	ON	1-2	2-3	2-3
INTEL 133 MHZ CYRIX P160 +	(66MHZ)	2	ON	ON	ON	1-2	2-3	2-3
INTEL 150 MHZ	(60MHZ)	2.5	ON	OFF	ON	2-3	2-3	2-3
INTEL 166 MHZ	(66MHZ)	2.5	ON	ON	ON	2-3	2-3	2-3
INTEL 180 MHZ	(60MHZ)	3	ON	OFF	ON	2-3	1-2	2-3
INTEL 200 MHZ	(66MHZ)	3	ON	ON	ON	2-3	1-2	2-3

NOTE : THIS MAIN BOARD DOESN'T SUPPORT CYRIX P133+ CPU SINCE IT DOESN'T GENERATE 55MHZ CLOCK SPEED. FOR CYRIX P133+, PLEASE SET JUMPER SETTING OF P133+ AS P120+.

4. JB1 : BATTERY SELECTOR (BLACK JUMPER CAP)

	NORMAL	CLEAR CMOS
JB1	OFF (DEFAULT)	ON

☞ IF YOU FORGET PASSWORD, YOU MUST CLEAR CMOS RAM AND RECONFIGURE THE SYSTEM.

5. PS/2 MOUSE SELECTOR (BLACK JUMPER CAP)

	ENABLED	DISABLED
JP6	ON	OFF

☞ PS/2 MOUSE CABLE IS OPTIONAL. THE PIN #1 IS YELLOW COLOR.

6. OTHER JUMPER SETTINGS AND CONNECTORS :

- JP1 : PS/2 MOUSE CONNECTOR.
- JP2 : ONBOARD HDD LED CONNECTOR.
- JP5 : SPEAKER CONNECTOR.
- JP8 : KEYLOCK CONNECTOR.
- S1 : RESET CONNECTOR
- CN1 : FLOPPY DISK CONNECTOR .
- CN2 : PARALLEL PORT CONNECTOR.
- CN3 : SERIAL PORT 1 CONNECTOR.
- CN4 : SERIAL PORT 2 CONNECTOR.
- CN5 : SECONDARY IDE CONNECTOR
- CN6 : PRIMARY IDE CONNECTOR.

2-3 MEMORY CONFIGURATION

There are no jumpers for the DRAM configuration. The BIOS will test the DRAM type and size automatically. There are two banks(*) from SIMM1 to SIMM4 on main board. Please follow SIMM1, then 2,3,4 to install memory(**). DRAM speed must be 70ns or faster. Both types of DRAM SIMM with parity (x36) or non-parity (x32) are acceptable.

SIMM1	SIMM2	SIMM3	SIMM4	TOTAL
4MB	4MB	---	---	8MBytes
4MB	4MB	4MB	4MB	16MBytes
8MB	8MB	---	---	16MBytes
4MB	4MB	8MB	8MB	24MBytes
8MB	8MB	4MB	4MB	24MBytes
8MB	8MB	8MB	8MB	32MBytes
16MB	16MB	---	---	32MBytes
16MB	16MB	4MB	4MB	40MBytes
8MB	8MB	16MB	16MB	48MBytes
16MB	16MB	8MB	8MB	48MBytes
16MB	16MB	16MB	16MB	64MBytes
32MB	32MB	---	---	64MBytes
4MB	4MB	32MB	32MB	72MBytes
8MB	8MB	32MB	32MB	80MBytes
32MB	32MB	8MB	8MB	80MBytes
16MB	16MB	32MB	32MB	96MBytes
32MB	32MB	16MB	16MB	96MBytes
32MB	32MB	32MB	32MB	128MBytes

(*) EACH BANK CONTAINS TWO SIMM SOCKETS AND MUST BE INSTALLED BY TWO EXACT SAME SIMMs.

(**) OR FOLLOW THE SIMM 4, 3, SIMM 2, 1 TO INSTALL SIMMs SINCE THIS BOARD HAS " AUTO-BANK " FEATURE.