

IWILL P4SP Motherboard

User's Manual

P4SP Version 1.0

FCC Compliance Statement

This equipment has been tested and found to comply with limits for a Class B digital device, pursuant to Part 15 of the FCC rules. These limits are designed to provide reasonable protection against harmful interference in residential installations. This equipment generates, uses, and can radiate radio frequency energy, and if not installed and used in accordance with the instructions, may cause harmful interference to radio communications. However, there is no guarantee that interference will not occur in a particular installation. If this equipment does cause interference to radio or television equipment reception, which can be determined by turning the equipment off and on, the user is encouraged to try to correct the interference by one or more of the following measures:

1. Reorient or relocate the receiving antenna
2. Move the equipment away from the receiver
3. Plug the equipment into an outlet on a circuit different from that to which the receiver is connected
4. Consult the dealer or an experienced radio/television technician for additional suggestions

You are cautioned that any change or modifications to the equipment not expressly approve by the party responsible for compliance could void Your authority to operate such equipment.

This device complies with Part 15 of the FCC Rules. Operation is subjected to the following two conditions

1. This device may not cause harmful interference
2. This device must accept any interference received, including interference that may cause undesired operation.

Disclaimer

The information in this document is subject to change without notice. The manufacturer makes no representations or warranties regarding the contents of this manual and specifically disclaims any implied warranties of merchantability or fitness for any particular purpose. Furthermore, the manufacturer reserves the right to revise this publication or make changes in the specifications of the product described within it at any time without notice and without obligation to notify any person of such revision or change.

Trademarks

Microsoft and Windows are registered trademarks of Microsoft Corp. Intel and Pentium 4 are registered trademarks of Intel Corporation. Other product names used in this manual are the properties of their respective owners and are acknowledged.

Copyright

This publication, including all photographs, illustrations and software, is protected under international copyright laws, with all rights reserved. Neither this manual, nor any of the material contained herein, may be reproduced without the express written consent of the manufacturer.
IWILL ©Copyright 2003

Table of Contents

1: Introduction 1-1
 About This Manual 1-2
 Package Contents 1-2

2: Hardware Configuration 2-1
 Components 2-1
 Connectors 2-1
 Jumpers 2-1
 External I/O Ports 2-1
 Motherboard Layout 2-2
 Motherboard Layout Key 2-3
 JCMOS1: Clear CMOS Jumper 2-4
 JAUDIO1: Audio Jumper 2-4
 CPU Socket & Cooling Fan / Heatsink Frame 2-5
 AGP 8X 1.5V Slot 2-5
 ATX12V Power Connectors 2-6
 System Memory Sockets 2-7
 PCI Expansion Slots 2-7
 Drive Connectors 2-8
 FDD1: Floppy Disk Drive Connector..... 2-8
 IDE1, IDE2: IDE Drive Connectors 2-8
 SATA1, SATA2: Serial ATA drive connectors 2-9
 JCDIN1 & JAUX1: Audio Connectors 2-9
 JPANEL1: Front Panel Connector 2-10
 JUSB1, JUSB2, JUSB3: Internal USB Connector 2-11
 JCFAN1,JSFAN1: CPU, & System Fan Connectors 2-12
 Rear Panel & I/O Connectors 2-13
 PS/2 Ports..... 2-13
 USB Ports 2-13
 10/100 Ethernet Port 2-13
 COM Serial Port..... 2-13
 Parallel Port 2-13
 Audio Jacks 2-14



- 3: Motherboard Installation 3-1
 - Before You Install this Motherboard3-1
 - Installing a CPU3-1
 - Selecting a Processor3-2
 - Installing the Processor3-2
 - Installing the Fan/ Heatsink3-5
 - Installing System Memory.....3-7
 - Installing Memory Modules3-8
 - Installing the Motherboard in the Chassis3-9
 - Installing the Motherboard3-9
 - Connecting Front Panel Components3-10
 - Completing System Configuration3-10

- 4: BIOS Setup 4-1
 - Running the CMOS Setup Utility4-1
 - Entering Setup 4-2
 - Standard CMOS Features 4-3
 - Advanced BIOS Features 4-3
 - Advanced Chipset Features 4-4
 - Integrated Peripherals Screen 4-5
 - Power Management Setup Screen 4-6
 - PnP/PCI Configurations 4-7
 - PC Health Status 4-8
 - IWILL Smart Setting 4-8
 - Load Fail-Safe Defaults 4-9
 - Load Optimized Defaults 4-10
 - Setting Supervisor/User Password..... 4-10
 - Save & Exit Setup 4-11
 - Exit Without Saving 4-12

5: Drivers and Utilities	5-1
Running the Power Installer Disc	5-1
Drivers and Utilities Installation	5-2
6: Specifications	6-1

1: Introduction

The P4SP motherboard is a high-performance workstation board that supports the Intel® Pentium® 4 processor. The motherboard accommodates Single/Dual Channel 266/333 MHz DDR SDRAM using four DIMM memory sockets. Five 32-bit PCI slots provide expansion flexibility. The P4SP motherboard uses the latest Intel® 865P chipset to integrate all system control functions.

Features of this motherboard include support for:

- ✂✂ Intel® Pentium® 4 processor with support for Hyper-Threading Technology
- ✂✂ 400/533 MHz system bus
- ✂✂ Up to 4GB Dual Channel DDR333 (PC2700) SDRAM
- ✂✂ Five 32-bit PCI/33 MHz slots
- ✂✂ Onboard Accelerated Graphics Port (AGP 8X/4X)
- ✂✂ RealTek® 10/100 MbE LAN integrated
- ✂✂ Two SATA connector built-in
- ✂✂ Two USB 2.0 external ports on rear panel (stacked)
- ✂✂ Offers six USB 2.0 ports for the front panel

For a complete list of specifications, see Chapter 6, Specifications.



About This Manual

This manual's six chapters cover the following topics:

1. Introduction, provides a basic introduction to the motherboard and package contents.
2. Hardware Configuration, describes the motherboard layout, components, and configuration
3. Motherboard Installation, explains basic motherboard installation procedures.
4. BIOS Setup, describes the settings of the BIOS.
5. Drivers and Utilities, explains how to use the bundled software drivers and utilities.
6. Specifications, lists the motherboard's technical specifications.

Package Contents

The motherboard package contains the following items:

1. P4SP motherboard
2. IDE connector cables
3. Floppy Disk Drive connector cables
4. Two SATA cables and one power core
5. Three spare Jumper caps
6. Power Installer software & utilities disc
7. User's Manual

Remove the motherboard from its anti-static bag and place it on a grounded or anti-static surface (component side up). Inspect the motherboard; if any items are damaged or missing, contact your vendor immediately.

2: Hardware Configuration

This chapter describes the motherboard layout and shows the location, function, and configuration of key components, including sockets, slots, connectors and jumpers as well as the external I/O ports. Before installing this motherboard read the following pages carefully for location and function of these items.

Components

The motherboard provides sockets, slots, and connectors for the installation of the CPU, memory, power supply, and PCI expansion cards.

Connectors

The motherboard's connectors let you attach IDE and FDD drives, CPU fan/heatsink, IR module, audio devices, and front panel features such as LEDs, speaker, and power switch.

Jumpers

The motherboard's jumpers provide information to the operating system about installed options and system settings.

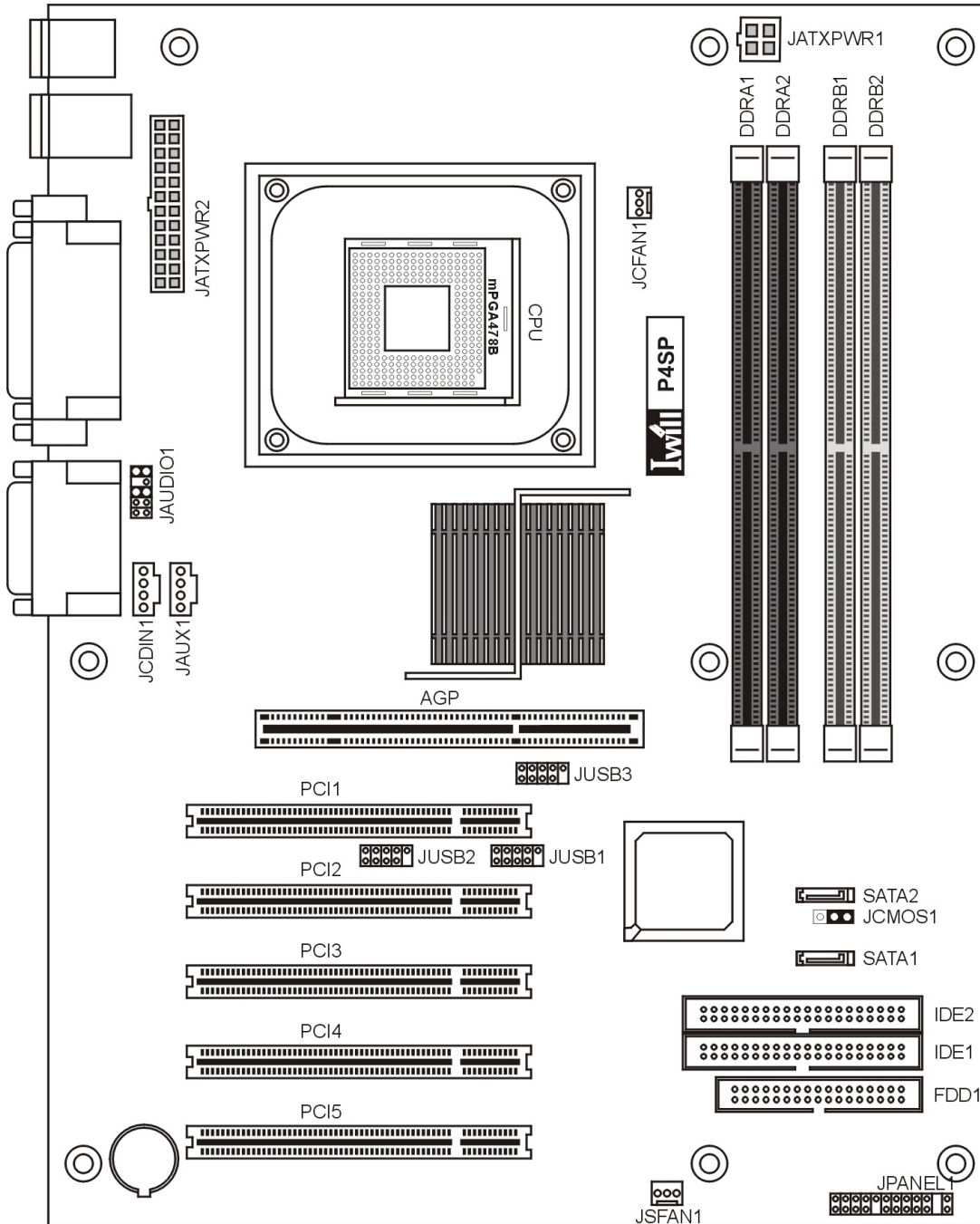
External I/O Ports

The external Input/Output ports let you connect external devices.

Motherboard Layout

The location of motherboard components is shown below.

P4SP



Motherboard Layout Key

These components, connectors and jumpers are located in the motherboard layout graphic on the facing page.

Component Function

CPU	mPGA478 CPU socket
AGP	Accelerated Graphics Port
DDR A1, A2, B1, B2	DIMM sockets for DDR SDRAM
PCI1~ PCI5	32_bit PCI expansion slots

Connectors Function

SATA1, SATA2	SATA drive connectors
JATXPWR2	Connectors for power supply
JATXPWR1	ATX 12V power connector
JPANEL1	Front panel feature connector
JUSB1, JUSB2, JUSB3	Internal USB connector
JCFAN1	CPU cooling fan power connector
JAUX1	AUX-auxiliary audio-in connector
JCDIN1	CD-ROM drive audio-in connector
FDD1	Floppy disk drive connector
IDE1, IDE2	IDE drive connectors
JSFAN1	System cooling fan connectors

Jumpers Function

JCMOS1	Clear CMOS
JAUDIO1	Audio for front panel



JCMOS1: Clear CMOS Jumper

This jumper switch, JCMOS1, clears the CMOS Setup configuration that is stored in the real-time clock's CMOS memory. If configuration becomes corrupted, or if the CMOS settings are changed to an unsuitable configuration, the motherboard may not work properly.

JCMOS1 lets you delete the configuration data stored in CMOS memory and reset the CMOS to the Optimized Defaults.

Follow the procedure below to clear CMOS memory.

1. Turn off and unplug the system and remove the system housing cover.
2. Set JCMOS1 to the Clear CMOS position by placing the jumper cap over pins 2 and 3 for one minute.
3. Return the jumper cap to the Normal setting, pins 1 and 2.
4. Replace the system housing cover, plug in the system and power on.
5. Run the CMOS Setup Utility and load the Optimized Defaults. Make any custom settings you require. (See Chapter 4, BIOS Settings.)
6. Save the settings as you exit the program and restart your computer.



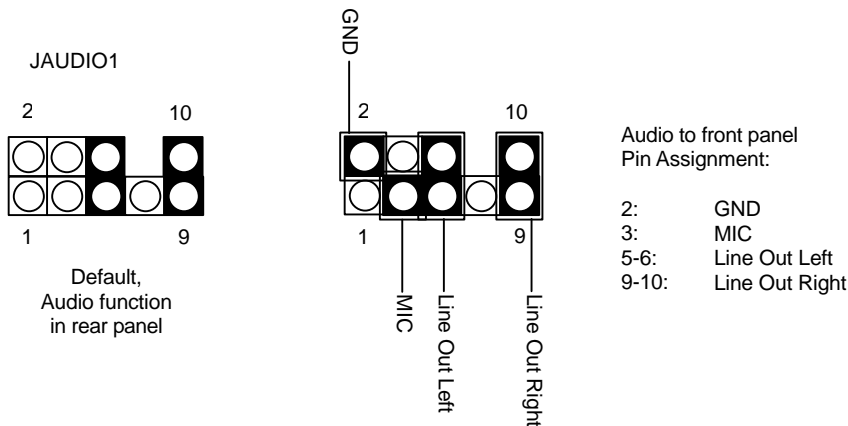
Normal (Default)



Clear CMOS

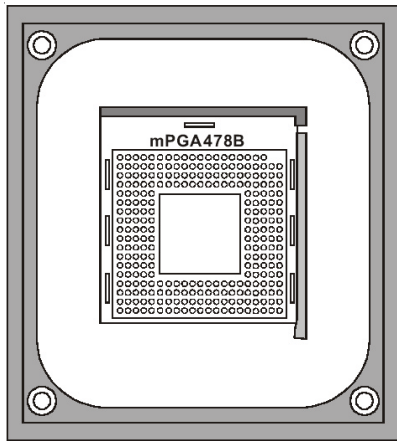
JAUDIO1: Audio for Front Panel

This jumper, JAUDIO1, allows users to switch audio function to the front panel if front panel is installed.



CPU Socket & Cooling Fan / Heatsink Frame

The mPGA478B CPU socket supports single 478-pin Intel Pentium 4 processor. The Pentium 4 CPU requires a cooling fan/heatsink, which attaches to the board using a retention mechanism mounting frame. See the section on installing the CPU in Chapter 3.



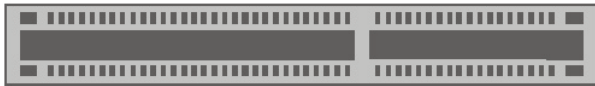
mPGA478B Socket:

This socket is for 478-pin Pentium 4 CPUs only.

Fan/Heatsink assembly retention mechanism

AGP 8X 1.5V Slot

The AGP slot is for the exclusive use of high speed AGP video display cards. It is AGP 3.0 compliant. This AGP slot supports AGP4X and AGP8X card. This slot only supports 1.5V devices. Do not use a 3.3V AGP card with this motherboard.



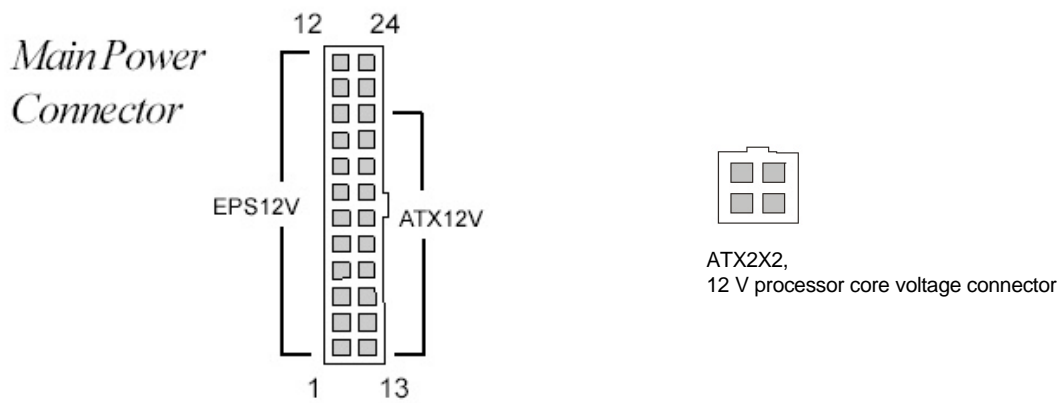
AGP 8X, 4X slot

Important:

For AGP 4X, 8X card only.
Do not use 3.3V cards in this slot.

ATX12V Power Connectors

The two power connectors let you attach two leads from an ATX12V power supply to the motherboard. The ATX12V standard requires a 20-pin ATX connector plus a 4-pin ATX12V connector. The two power connectors on this motherboard can accommodate either standard. For an ATX12V power supply insert the 20-pin lead of the ATX12V into the first 20 holes of the power connector leaving the last four empty, and the 4-pin ATX12V lead into the first 4 holes on the secondary power connector, also leaving the last four holes empty. See the connector diagrams below.





System Memory Sockets

These DIMM system memory sockets support 333MHz (PC2700) or 266MHz (PC2100) DDR SDRAM system memory modules. See the section on installing memory in Chapter 3.



PCI Expansion Slots

The PCI expansion slots let you install additional system hardware via add-on cards. There are five 32-bit, 33MHz slots that are compliant with PCI 2.1/2.2 on this motherboard. See the section on installing internal peripherals in Chapter 3.



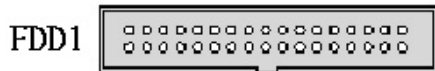
PCI Expansion Slots

Drive Connectors

There are drive connectors on the motherboard for connecting IDE and floppy disk drives.

FDD: Floppy Disk Drive Connector

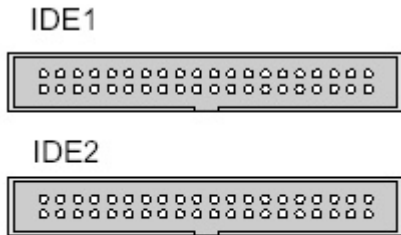
The connector FDD lets you attach one floppy disk drive to the motherboard using a standard FDD ribbon cable.



Floppy Drive Connector

IDE1, IDE2: IDE Drive Connectors

The two IDE drive connectors are marked IDE1, the primary channel, and IDE2, the secondary channel. Each connector supports two drives, a Master and a Slave.



IDE Drive Connectors



SATA1, SATA2: Serial ATA Drive Connectors

There are two Serial ATA connectors on the motherboard. Each connector supports one drive, which connects to the motherboard with a Serial ATA cable. These two Serial ATA connectors also support RAID 0 and RAID 1. The motherboard comes with two Serial ATA cables and one power core for user's convenience.

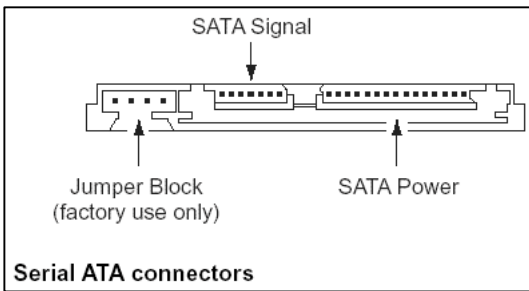


Serial ATA Drive Connectors

Serial ATA Interfaces

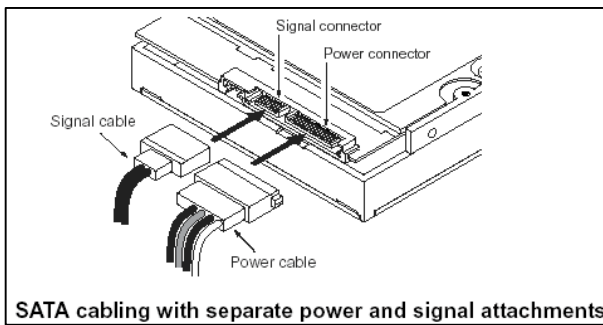
The ICH5's Serial ATA controller offers two independent Serial ATA ports with a theoretical maximum transfer rate of 150 MB/s per port. One device can be installed on each port for a maximum of two Serial ATA devices. A point-to-point interface is used for host to device connections, unlike Parallel IDE which supports a master/slave configuration and two devices per channel. For compatibility, the underlying Serial ATA functionality is transparent to the operating system. The Serial ATA controller can operate in both legacy and native modes. In legacy mode, standard IDE I/O and IRQ resources are assigned (IRQ 14 and 15). In Native mode, standard PCI resource steering is used. Native mode is the preferred mode for configurations using the Windows XP and Windows 2000 operating systems.

NOTE1: Many Serial ATA drives use new low-voltage power connectors and require adaptors or power supplies equipped with low-voltage power connectors. For more information, see: <http://www.serialata.org/>



More Information about S-ATA HDD:

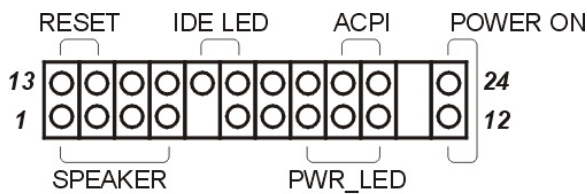
Serial ATA drives are designed for easy installation with no jumpers, terminators, or other settings. It is not necessary to set any jumpers on this drive for proper operation. The jumper block adjacent to the signal connector is for factory use only.



JPANEL1: Front Panel Connector

This connector, JPANEL1, connects the following system housing front panel features:

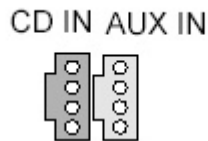
- Reset Switch (Reset in diagram)
- IDE device LED (IDE LED in diagram)
- ACPI Suspend LED (ACPI in diagram)
- Power Switch (Power On in diagram)
- System Activity LED (System LED in diagram)
- Housing-mounted Speaker (Speaker in diagram)



*Front Panel Connector
Pin Assignments*

JCDIN1 & JAUX1: Audio Connectors

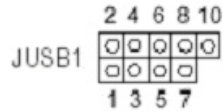
These two connectors, CD-IN and AUX-IN, let you attach audio-in cables from internal peripherals, such as a CD-ROM or DVD-ROM drive. The connectors provide an audio input connection between a device and the integrated audio subsystem.



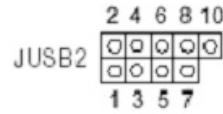
CD-IN, AUX-IN Audio Connectors

JUSB1, JUSB2, JUSB3: Internal USB Connector

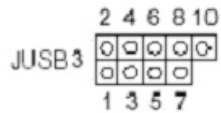
These connectors, JUSB1 and JUSB2, let you attach internal USB devices.



Pin	Assignment	Pin	Assignment
1:	+5V	2:	+5V
3:	USB DATA 4-	4:	USB DATA 3-
5:	USB DATA 4+	6:	USB DATA 3+
7:	GND	8:	GND
9:	NC	10:	NC



Pin	Assignment	Pin	Assignment
1:	+5V	2:	+5V
3:	USB DATA 6-	4:	USB DATA 5-
5:	USB DATA 6+	6:	USB DATA 5+
7:	GND	8:	GND
9:	NC	10:	NC

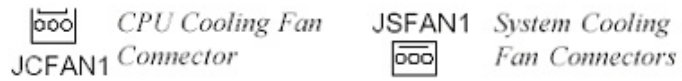


Pin	Assignment	Pin	Assignment
1:	+5V	2:	+5V
3:	USB DATA 8-	4:	USB DATA 7-
5:	USB DATA 8+	6:	USB DATA 7+
7:	GND	8:	GND
9:	NC	10:	NC

JUSB: Connector Pin Assignments

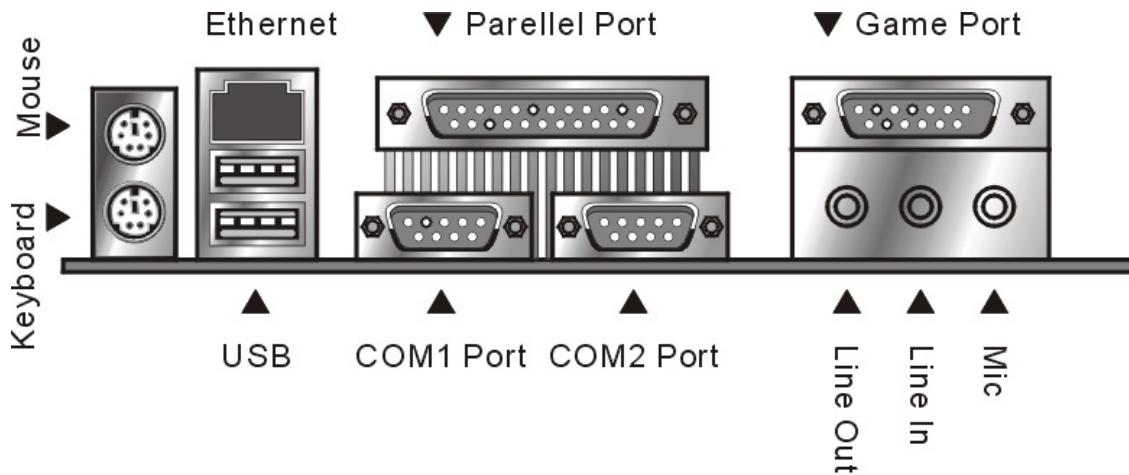
JCFAN1, JSFAN1: CPU & System Fan Connectors

These 3-pin connectors provide power to the CPU cooling fan (JCFAN1), to the System cooling fans (JSFAN1). These connectors all support fan speed monitoring. A temperature monitor detects the CPU and internal system temperatures. You can set a system shutdown temperature in the PC Health section of the CMOS Setup Utility.



Rear Panel and I/O Connector

On the rear panel of the board there are several external Input/ Output ports. These ports are color coded for easy identification.



PS/2 Ports

The PS/2 ports are for a system keyboard and mouse or other tracking device. It is recommended that you do not plug or unplug devices when the system is on.

USB Ports

There are two high-speed USB 2.0 ports, for connecting either USB 1.1 or 2.0 devices to the system. These ports are for “Type A” USB cable connectors. It does not matter if the system is on when you connect or disconnect USB devices.

10/100 Mbps Ethernet Port

The 10/100 Mbps Ethernet Port is an RJ-45 connector for standard Cat 5 LAN cabling. The connector attaches to the onboard RealTek Ethernet LAN controller.

COM Serial Port

The COM Serial port has a 9-pin connector and can operate at speeds up to 115,200bps. Do not connect or disconnect a serial port when the system is turned on.

Parallel Port

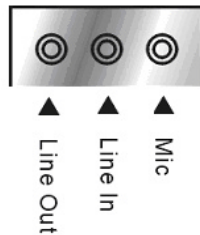
The Parallel port connects the system to devices that have a parallel interface. This port is generally used to connect a printer to the system.

Audio Jacks

The audio jacks are for connecting external audio devices to the onboard audio subsystem.

The three audio jacks are:

1. **Line Out: (Green)**
Offers output to two stereo speakers.
2. **Line In: (Blue)**
Provides audio input connector for an external audio source.
3. **Mic: (Pink)**
This jack is for plugging in a computer microphone.





3: Motherboard Installation

This chapter describes preparing and installing the motherboard, as well as installing and connecting other components. Please review each of the following procedures before installing the motherboard.

Before You Install this Motherboard

Before placing and fastening the motherboard into a case you must first install a CPU and system memory modules. Please read the sections below and follow the instructions carefully.

Installing a CPU

The P4SP motherboard supports the Intel Pentium 4 processor. You must install both the Intel Pentium 4 and its cooling assembly carefully and in accordance with the procedures below. If you fail to follow these procedures, it could result in either improper operation or damage to the CPU or motherboard. To install an Intel Pentium 4 processor on this motherboard you need to do the following:

1. Install a Pentium 4 processor in the mPGA478 socket.
2. Install the Heatsink/ Retention Mechanism

In addition to the following instructions, please review the instructions that come with your boxed Intel Pentium 4.

Selecting a Processor

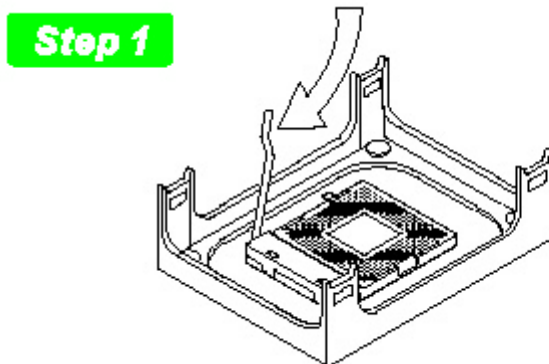
This motherboard supports all Intel Pentium 4 processors. The motherboard's BIOS automatically detects the required settings and configures the CMOS Setup Utility.

Installing the Processor

It is important to review all of the instructions before beginning the installation procedure. Carefully handle the processor by its edges, and take all precautions against electrostatic discharge. The boxed Intel Pentium 4 processor comes with a Heatsink and Thermal Interface Material applicator. Non-boxed processors follow the same procedures, but the accessories may have a different appearance.

The following illustrations are a generic representation and may not show the components' exact appearance.

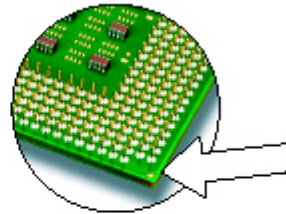
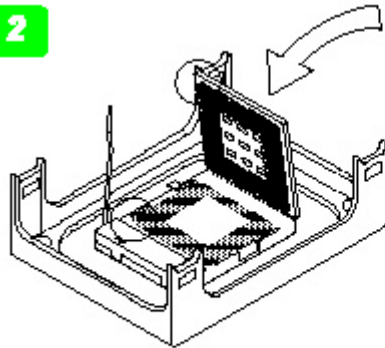
1. Unlock the socket by pressing the lever sideways, then lift it up to a vertical angle.



Unlock the socket by pressing the lever sideways, then lift it up to a vertical angle

2. Position the CPU above the socket such that its marked corner matches the base of the socket lever.

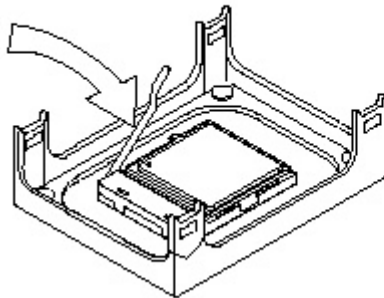
Step 2



Position the CPU above the socket such that its marked corner matches the base of the socket lever.

3. Press it firmly on the socket while you push down the socket lever to secure the CPU.

Step 3



Press it firmly on the socket while you push down the socket lever to secure the CPU.

4. After installing the CPU you may need to apply the Thermal Interface Material (TIM) to the top of the installed CPU (Fig. 2). The TIM is supplied in an applicator with the boxed Pentium 4 processors. The TIM secures the Fan/Heatsink to the CPU. However, if the Fan/Heatsink already has a patch of TIM on its underside, you won't need to apply additional TIM to the CPU (Fig. 1).

Step 4

The heatsink may have thermal interface material attached to the bottom as shown in Fig.1, or you may need to apply the thermal interface material using a syringe as shown in Fig.2.

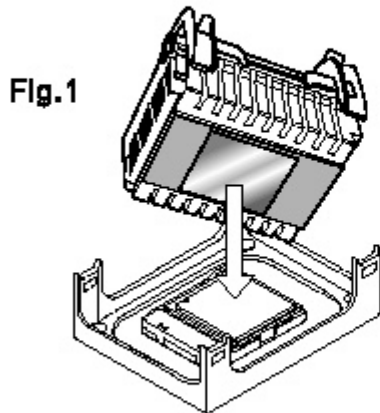


Fig.1

Be careful not to damage the thermal interface material.

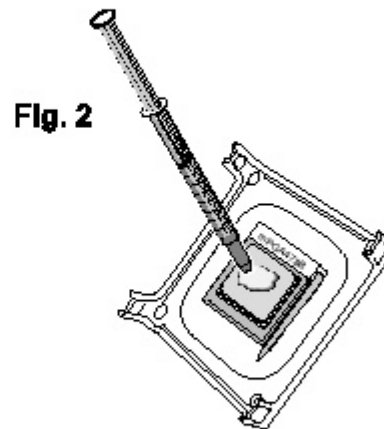


Fig. 2

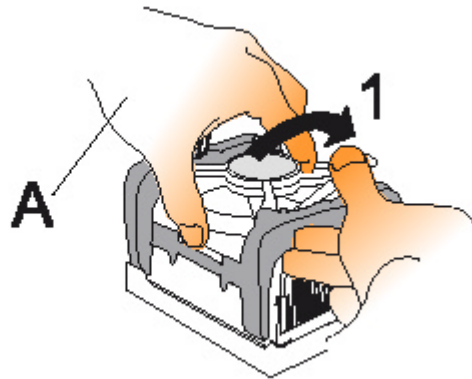
Using the enclosed syringe and apply all of the thermal interface material to the top of the processor

Installing the Fan/ Heatsink

To install the Fan/Heatsink assembly:

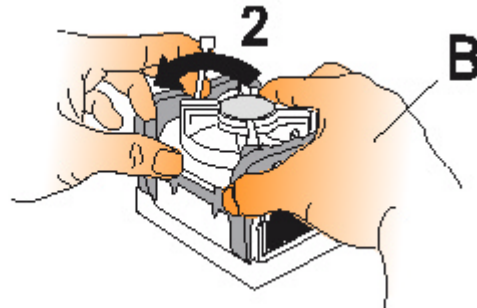
5. When installing the Fan/Heatsink and clip assembly it is important to make sure the Fan/Heatsink **does not** rotate or twist on the processor. Securing the Fan/ Heatsink while closing the clip lever will ensure the thermal interface material (TIM) is not damaged and the processor will operate correctly. The TIM is attached to the heatsink.

Step 5



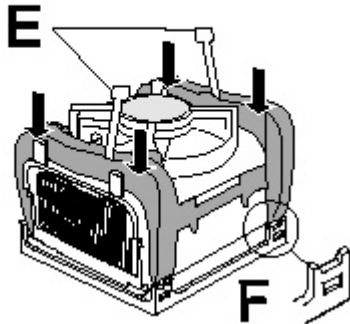
6. Make sure to close the clip levers one at a time. Close the clip lever (1), while holding the top-side of the Fan/Heatsink with your other hand (A). Close the clip lever (2) while holding the top-side of the Fan/ Heatsink with your other hand (B).

Step 6



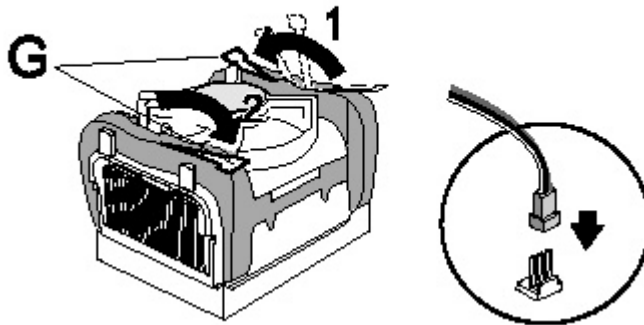
7. Align the Heatsink and clip assembly with the Retention Mechanism and place it on the processor. The Heatsink is symmetrical.

Step 7



8. With the clip levers in the up position (E), push down on all four clip frame corners to secure to the Retention Mechanism hooks (F). Close the clip levers (G). The levers require force to be completely closed. Connect the processor fan cable connector to the motherboard header.

Step 8





Installing System Memory

Memory Specifications

The P4SP motherboard provides four DIMM sockets that support DDR SDRAM.

Memory configuration options are:

1. Supports 128MB, 256MB, 512MB, and 1GB modules, Maximum 4GB total system memory
2. 333MHz PC2700 or 266MHz PC2100 Unbuffered DDR SDRAM
3. Dual Channel Modules and the same speed provide better performance.

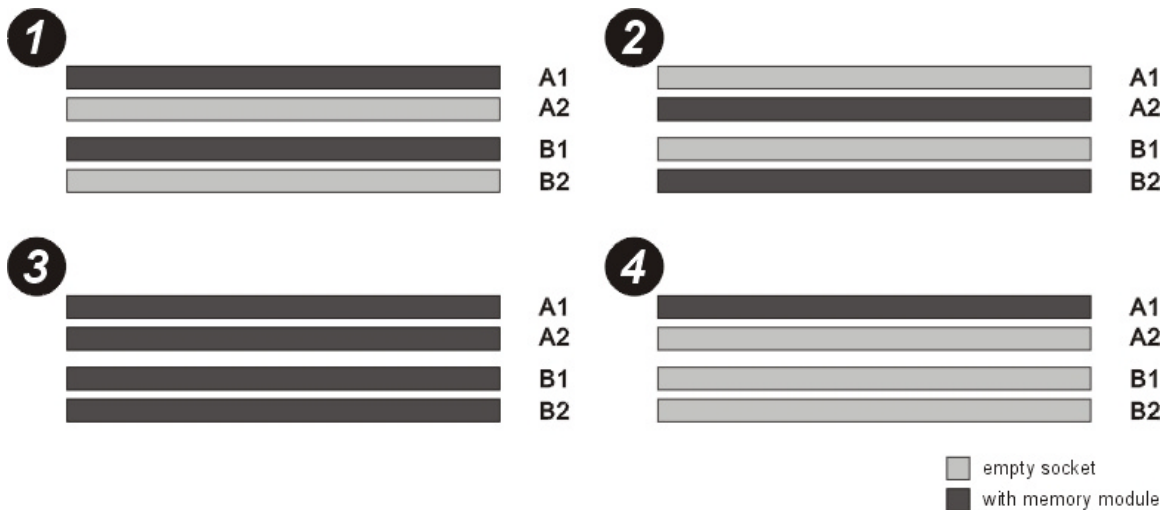
Note1: Installing two or more memory modules is recommended for this motherboard. When installing two modules, you must first fill the sockets A1 and B1 or A2 and B2.

(One Black and One Red DIMM socket)

Note2: Modules should all be the same manufacture, type, model and capacity.

Note3: The memory configurations shown here are the only ones allowed. You can install only 1, 2 or 4 modules.

Note4: It is not recommended to install 3 memory modules on the system.



You can install the single memory module on any DIMM socket..

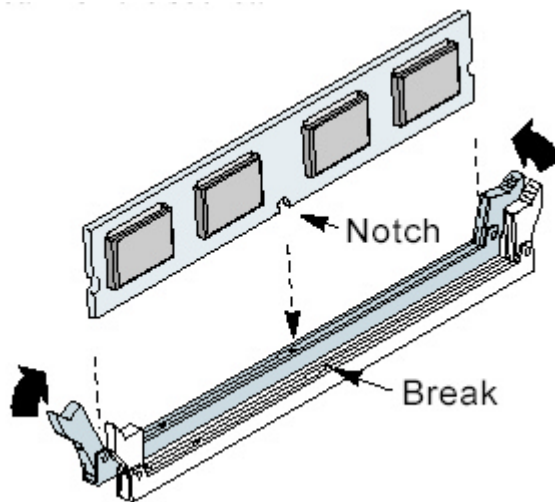
Installing Memory Modules

To install a memory module, you insert a module into its socket and secure it with the socket retaining arms. The modules are notched so that you cannot insert them incorrectly. The BIOS recognizes the installed memory and configures the CMOS Setup Utility automatically.

Note: It is recommended that you install at least two memory modules, beginning in sockets DIMMA1 and DIMMB1.

To install memory modules:

1. Unlock a DIMM socket by pressing the retaining clips outward.
2. Align the “notch” on the memory module to the “break” on the socket.



3. Firmly insert the module into the socket until the retaining clips snap back into place and the module is properly seated.
4. Make sure the memory module is locked on the socket with both retaining clips.



Installing the Motherboard in the Chassis

After installing the CPU and memory modules, you can install the motherboard in the system housing. There are many system housing designs and you should consult your system housing documentation for specific installation information.

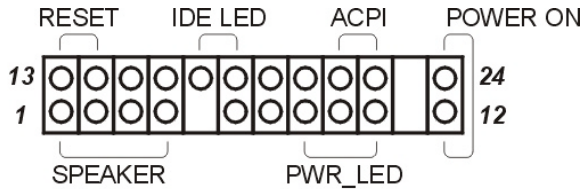
Installing the Motherboard

To install the motherboard into the chassis:

1. Review the housing documentation and prepare the required mounting hardware.
2. Identify the mounting holes on the board and confirm that the housing standoffs are suitably placed.
3. Install the included rear I/O panel shield in the housing's I/O panel opening, matching the ports on the board.
4. Insert the board in the housing and align the mounting holes to the standoffs on the housing's motherboard mounting plate. Check to make sure all rear I/O ports are aligned with the openings in the I/O panel shield.
5. Attach the board to the housing by inserting mounting screws in all the holes and tightening these screws using a Philips head screwdriver.

Connecting Front Panel Components

After installing the motherboard in the system housing, you should connect the front panel components to the Front Panel Connector, JPANEL1. Check the figure below for pin assignments.



*Front Panel Connector
Pin Assignments*

Completing System Configuration

After installing the motherboard in the system housing, you can connect or install the internal devices you need to complete the system. This will include attaching disk drives and connecting housing power supply connectors. After replacing the system housing cover, you can connect external peripherals such as a monitor, a keyboard, and a pointing device.

Once you have completed final hardware installation, you can configure the CMOS Setup Utility and Drivers - see the following chapters - and install operation system and support software - see related documentation.



4: BIOS Setup

After you have installed the motherboard and assembled the system hardware, you can power up the system. The motherboard uses the most recent Award BIOS CMOS chip. The ROM setup instructions for configuring the motherboard's BIOS (Basic Input Output System) are contained on this chip. The CMOS Setup program lets you set system parameters, which are stored in nonvolatile CMOS RAM. This information is retained by battery backup when the system is powered off. The values stored in the CMOS configures the system each time the system is powered on.

Running the CMOS Setup Utility

The CMOS Setup Utility does not depend on an operating system to run. You run the utility by typing the Del or Delete key before the operating system boots up. The CMOS Main screen will appear. You navigate the CMOS Setup Utility using keyboard commands that are listed at the bottom of each screen. Help is available at any time by pressing the F1 key.

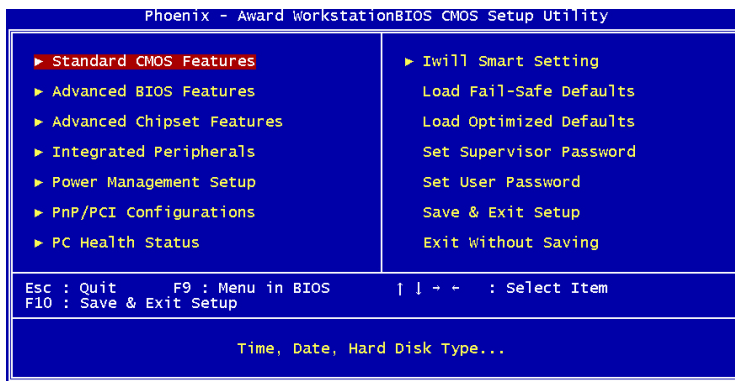
Once you have fully configured the CMOS Setup Utility you will rarely if ever need to configure it again.

Entering Setup

Each time the system is turned on, the BIOS performs Power-On Self Test (POST) routines. These routines run through a series of diagnostic checks. If an error occurs, it is reported in one of two ways:

1. A series of beeps, if the error is encountered before the display is initialized.
2. An error message is shown on the screen, if the display is initialized. After the POST routines are performed, the following message appears: “Press DEL to enter SETUP”

Press the key to enter the Award BIOS Setup program, and the main screen appears:

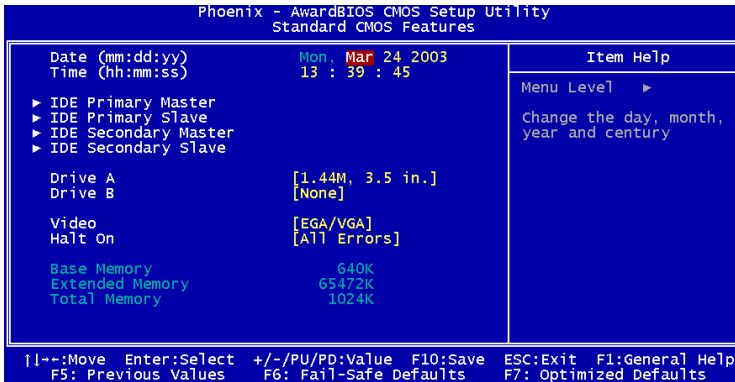


Use the arrow keys to select items. A description of each selection follows.



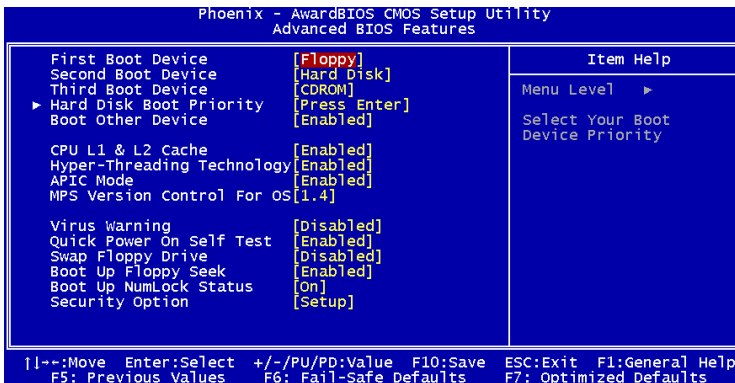
Standard CMOS Features

The Standard CMOS Features screen lets you reset time and date settings to suit your location. The IDE devices are Auto Detected, but you can change these settings manually if necessary. The floppy drive settings and other settings are standard defaults, that you can also change if necessary.



Advanced BIOS Features

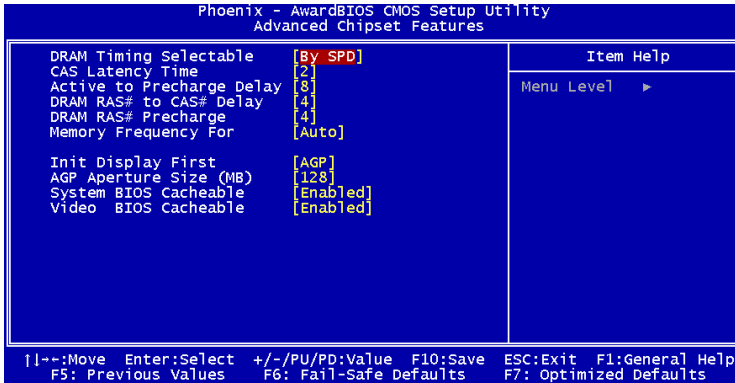
The Advanced BIOS Features screen configures boot options such as boot devices, boot order, various boot configurations and other power functions. Unless you fully understand the function of these settings, it is better to leave the default settings.



Note1: Willamette core CPU is not supported.

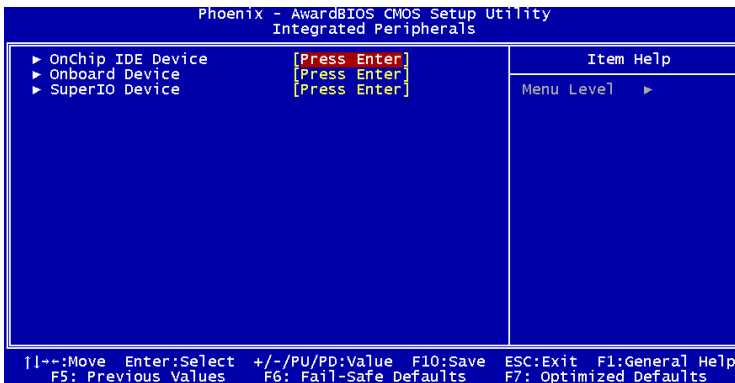
Advanced Chipset Features

The Advanced Chipset Features screen configures the chipset, BIOS caching and the AGP. Unless you fully understand the function of these settings, it is recommended that you do not change the default settings.



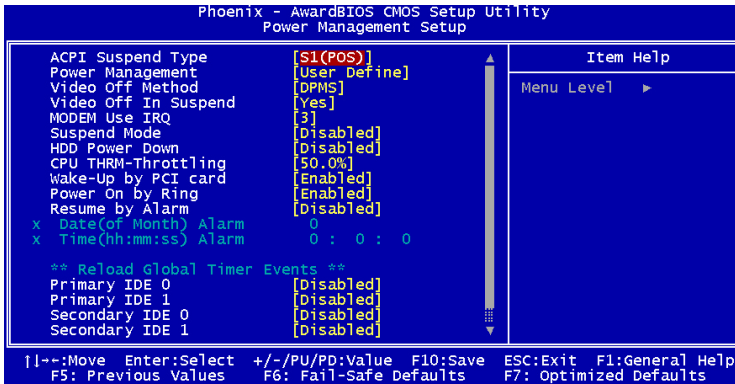
Integrated Peripherals Screen

The Integrated Peripherals screen configures the peripheral features integrated onto the motherboard. The settings on this screen are all optimized defaults. The IDE settings are Auto Detected and the port settings are standard settings.



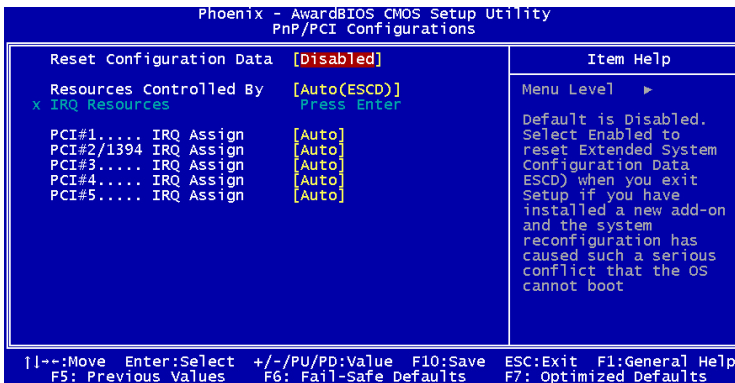
Power Management Setup Screen

The Power Management Setup screen configures power management settings. The settings on this screen are all optimized defaults. Windows ACPI power management overrides most of these settings. There are Minimum and Maximum configurations available in addition to the User Defined defaults. In User Defined mode you can customize all settings.



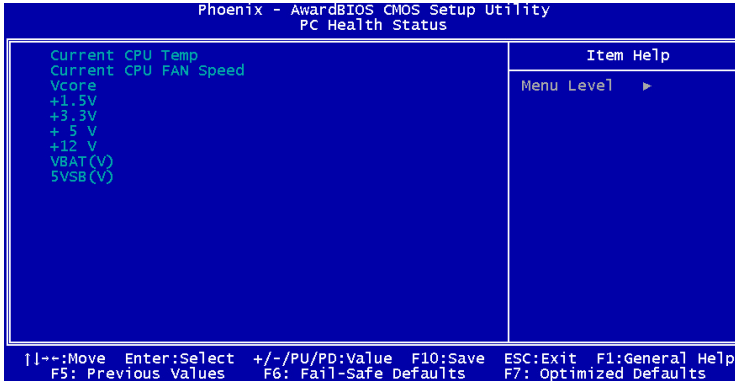
PnP/PCI Configurations

The PnP/PCI Configurations screen configures Plug and Play and other PCI bus settings. The default is for BIOS control of these functions. Set Reset Configuration Data to Enabled if a problem occurs after installing an expansion card. This rewrites the ESCD.



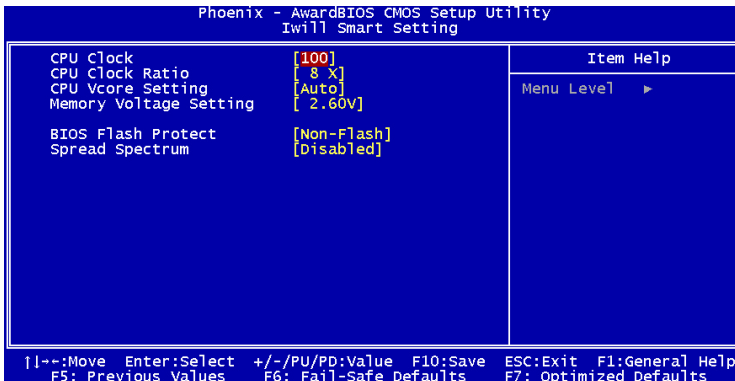
PC Health Status

The PC Health Status screen displays system information such as CPU cooling fan speed and various voltage levels. This information is Auto Detected.



IWILL Smart Setting

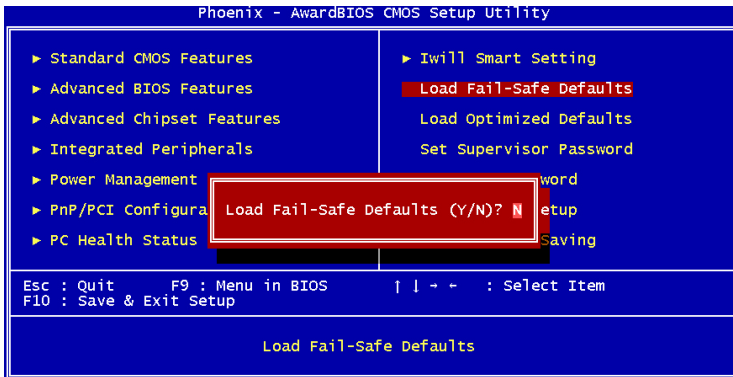
The IWILL Smart Setting screen configures CPU settings. The default settings for the CPU are Auto Detected. You should not change these Auto Detected settings. Configuring CPU settings that are different than Intel specifications can damage the Intel CPU and void the CPU warranty. Enable the Spread Spectrum setting to reduce interference generated by the board circuitry.





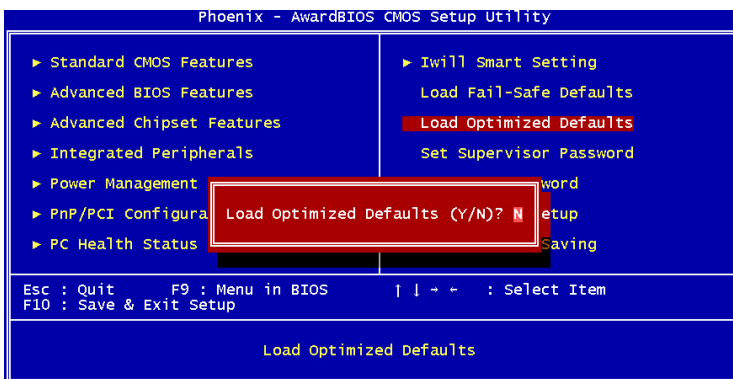
Load Fail-Safe Defaults

Selecting “Y” for this item loads the minimum set of configuration settings. The Fail-Safe Defaults let the system start for troubleshooting of hardware problems.



Load Optimized Defaults

Selecting “Y” after choosing this item loads the optimized set of default settings. Use these default settings if the configuration is corrupted or if a mistake is made in the configuration. You should also load these settings after performing the Clear CMOS procedure.



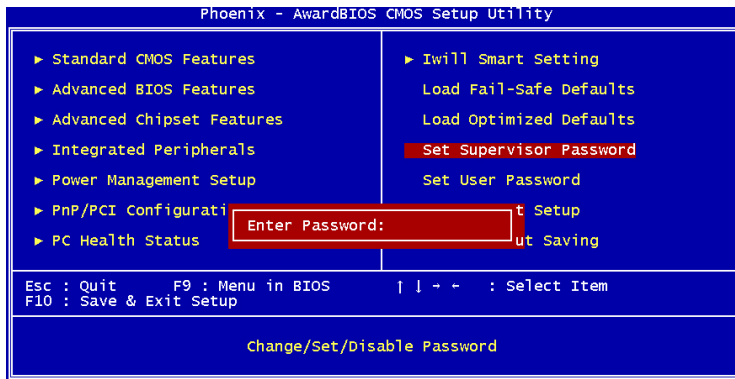
Setting Supervisor/User Password

The Set Supervisor Password items let you set passwords for system access. The Supervisor password prevents access to the CMOS Setup utility.

Set a password as follows:

1. Choose either Set Supervisor Password item or the Set User Password item in the main screen and press Enter. A password dialog box appears.
2. To enter a new password type in the password using no more than eight characters or numbers and press Enter.
3. A dialog box asks you to confirm the new password by typing it in a second time. Type the password again and press Enter, or just press Enter if you are deleting a password. The password is then recorded. After bringing up the password dialog box you decide not to set a password, press the Enter key, not the Esc key, to exit the password dialog box.

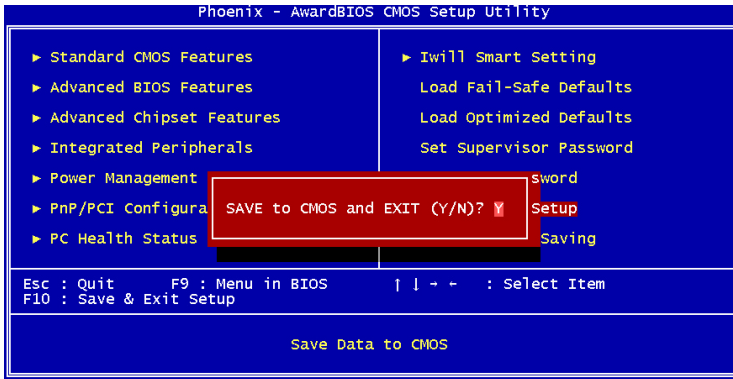
Note: the password is case sensitive. To delete a password, press enter when the password dialog box appears and just press “Enter” from keyboard.





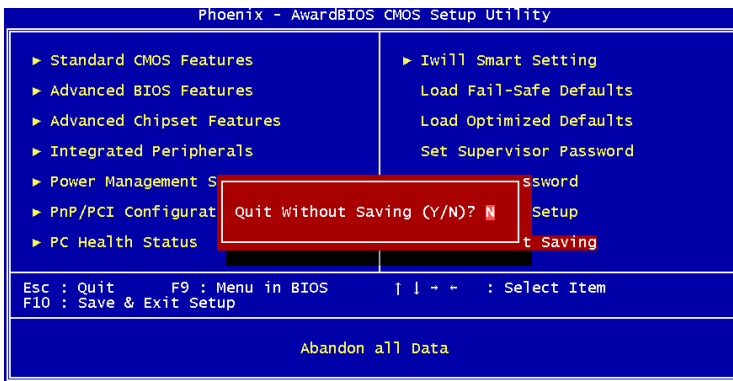
Save & Exit Setup

Entering “Y” and pressing Enter saves the current utility configuration as a new record, exits the utility and restarts the system using the saved configuration record.



Quit Without Saving

This item lets you exit the utility and restart the system without changing the saved configuration record.





5: Installing a support drivers and utilities

The Power Installer CD-ROM disc comes with required hardware drivers for Microsoft Windows and some additional utility software. If you have installed a supported Microsoft OS, you must install the required drivers. If you have install Linux, you will need to create support disks using the “Make Driver utility”.

This motherboard requires that you install driver software to support the onboard hardware. You will need to install some or all of the following:

1. **Main chipset support software**
Various drivers that support the chipset and enhance system performance.
2. **Audio Driver**
Audio driver for the onboard AC'97 audio.
3. **USB 2.0 Installation Guide**
Information on installing drivers for the onboard USB ports.
4. **LAN driver software**
Information on installing drivers for the onboard Realtek Ethernet controller.

Installing Windows Drivers

This section assumes you have installed one of the supported Microsoft Operating Systems on the system hard disk drive.

To install Windows drivers, insert the Power Installer II CD-ROM disc in the system's CD-ROM (or other optical drive) and wait for the Power Installer interface to automatically load. If it doesn't start, run the Power Installer interface directly from the disc by running Setup.

The Power Installer main screen will appear. Click on this motherboard's model number to open the section for this board. The "Driver and Utilities" screen will appear. Click on "Driver Installation" and the Driver Installation screen will appear.

Installing the Utility Software

To install the utility software bundled on the Power Installer CD-ROM disc, click on "Software Utility" in the Drivers and Utilities screen to open the Software Utility window.

To install the Adobe Acrobat reader or McAfee Anti-Virus software packages, click on the item you want to install and follow the install program's instructions.

Making Driver Discs

You can make driver floppy disks by running the "Make Driver" utility from the Drivers and Utilities screen. Follow the screen interface, which is self-evident to make driver installation disks if needed.

Making & Installing Linux Drivers

You can boot the system from the Power Installer disc. The system will boot from the Linux kernel on the disc and you can use the driver disk creator that loads to create Linux driver disks. You can then install these drivers according to the instructions for driver installation from your Linux distribution.

6: Specifications

Technical specifications for the P4SP motherboard are listed below.

P4SP Motherboard

Processor

Supports Intel® Pentium 4 processor
System Bus: 400/533MHz
Support Northwood processor
Supports Intel® Hyper-Threading Technology
Auto detects CPU type, external clock and multiplier.

Chipset

MCH : Intel 865P
ICH5
Winbond Super I/O : W83627HF

CPU Power

Follows VRM 9.0 spec
VRD design
Three phase
Supports Vcore output up to 78A

Memory

Dual Channel PC2700/PC2100/PC1600 DDR SDRAM
Supports 128MB/ 256MB/ 512MB up to 1GB memory capacity for each DIMM socket
Supports maximum memory of up to 4GB
Peak memory bandwidth of 5.4GB/s in dual channel mode and 2.7GB/s for single channel
Two pair DIMMs (Four rows)
Unbuffered without ECC DDR SDRAM

Graphics

AGP 8X/4X at 1.5V only
AGP 3.0 specification

PCI

Five 32bit PCI/33MHz slots
PCI 2.1/2.2 Compliant

LAN

On board RealTek 10/100 Mbps
One RJ-45 connector

USB 2.0

Two USB 2.0 external ports on the back panel (stacked)
Three internal connectors support Six USB2.0 ports for front panel

Serial ATA

Two onboard SATA ports

Audio

AC'97 software Sound
One audio connector at rear panel to support LINE IN/ LINE OUT/MIC IN
One 4-pin CD-ROM Audio In header
One 4-pin AUX header

General I/O

Two IDE connectors (Bus Master with Enhanced) to support Ultra DMA 33/ATA66/ATA100
IDE drives and ATAPI compliant devices
One Floppy Controller for up to two drives
Two UART connectors
One 25pin ECP/EPP Parallel Port
One Game Port
One PS/2 Keyboard
One PS/2 Mouse

BIOS

Award BIOS
4Mb Flash ROM (FWH)
Flash write Protection for BIOS
Support ACPI S1, S3 (option)
Auto configuration for IDE hard disk types
Write Protection for memory SPD EEPROM

System Management

Winbond hardware monitor

One 3-pin CPU Fan header with fan speed detect

One 3-pin chassis fan header with fan speed detect

One temperature sensor

Seven voltage monitoring (Vcore, +1.5V, +3.3V, +5V, +12V, -12V, Battery, 5VSTB)

Form Factor

ATX Form Factor

ATX 12V power connectors

Stacked PS/2 Mouse/Keyboard ports; Stacked 2 USB2.0 and RJ-45 LAN ports with LED

Approvals

FCC class B Product safety IEC60950, EN60950, CE mark 89/336/ECC(EMV) and acc. To EU

Miscellaneous

Support AC power failure

ACPI 1.1

PC2001

APM 1.2

SMBIOS 2.3

BIOS boot Spec. 1.01

WfM 2.0

DMI 2.0

PCI 2.2