



User's Manual

A Pentium 4 Processor based AGP (4X)
mainboard

Supports PC1600/2100 Memory Modules
(DDR Memory)

TRADEMARK

All products and company names are trademarks or registered trademarks of their respective holders.

These specifications are subject to change without notice.

*Manual Revision 1.0
May 21, 2002*

Table of Contents

	<i>Page</i>
Section 1	<i>Introduction</i>
	Components Checklist 1-1
	<i>Overview</i>
	Intel Pentium 4 Processors 1-2
	Accelerated Graphics Port 1-3
	Ultra ATA66/100 1-3
	Hardware Monitoring 1-4
	Mainboard Form-Factor 1-5
	I/O Shield Connector 1-6
	Power-On/Off (Remote) 1-6
	System Block Diagram 1-7
Section 2	<i>Features</i>
	Mainboard Features 2-1
Section 3	<i>Installation</i>
	Mainboard Detailed Layout 3-2
	<i>Easy Installation Procedure</i>
	CPU Installation 3-3
	Jumper Settings 3-5
	System Memory Configuration 3-6
	Device Connectors 3-8
	STR Function 3-12
Section 4	<i>Award BIOS Setup</i>
	Main Menu 4-1
	Standard CMOS Setup 4-3
	Advanced BIOS Features 4-7
	Advanced Chipset Features 4-11
	Integrated Peripherals 4-14

Power Management Setup	4-19
PNP/PCI Configuration Setup	4-23
PC Health Status	4-25
Frequency/Voltage Control	4-27
Defaults Menu	4-29
Supervisor/User Password Setting	4-30
Exit Selecting	4-31

Section 5

Driver Installation

Easy Driver Installation.....	5-1
-------------------------------	-----

Appendix

Appendix A

Avance Media Player User's Guide	A-1
--	-----

Appendix B

EEPROM BOIS Remover	B-1
---------------------------	-----

Appendix C

Update Your System BIOS	C-1
-------------------------------	-----

Appendix D

GHOST 5.1/6.03 Quick User's Guide (Optional) ...	D-1
--	-----

Section 1
INTRODUCTION

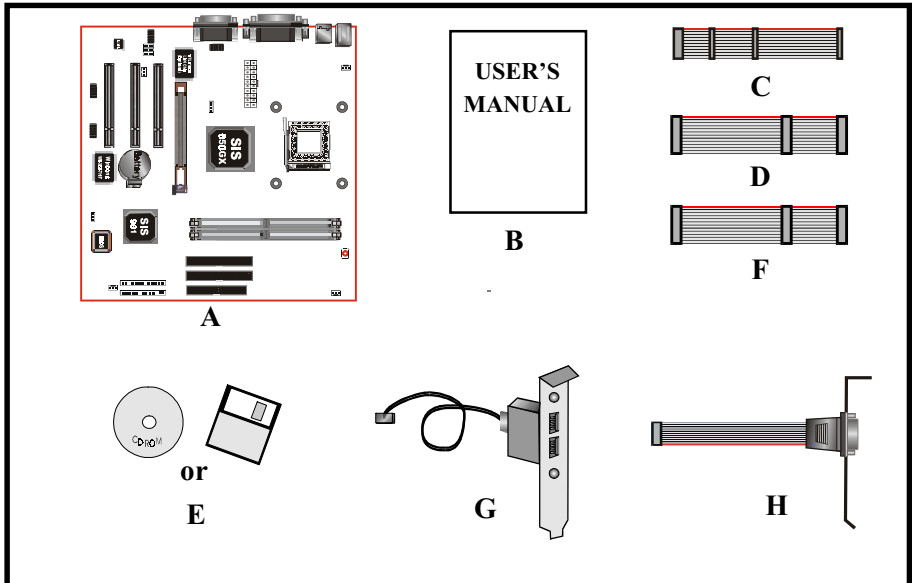
Components Checklist

Package Contents

- A. (1) Mainboard
- B. (1) User's manual
- C. (1) Floppy ribbon cable
- D. (1) ATA-66/100 Hard drive ribbon cable
- E. (1) Driver and utility

Optional Item

- F. (1) ATA-33 Hard drive ribbon cable
- G. (1) USB Cable
- H. (1) RS232 COM2 Cable



Introduction

Intel Pentium 4 processors

Formally known as the Willamette, the Pentium™ 4 is the next generation IA-32 processor from Intel. This next generation design is based upon a new micro-architecture that brings higher clock speeds and performance than previous processors could deliver. Among other advanced features the Pentium 4 offers Streaming SIMD extensions 2, Advanced Dynamic Execution, Hyper Pipelined Technology, and a data transfer rate of 400MHz system bus.

Streaming SIMD Extensions 2

Building upon the foundations of core features of their previous line of processors the Pentium III, this new version introduces Streaming SIMD Extensions 2 technology commonly referred to as SSE2. But what does this mean? SIMD stands for Single Instruction Multiple Data. Usually, processors process one data element in one instruction, called Single Instruction Single Data, or SISD. In contrast, with Single Instruction Single Data (SISD), SIMD has the ability to process more than one piece of data element during one instruction.

This technology is useful for 3D graphics applications that handle considerable amounts of floating-point numbers. With SIMD applications such as 3D graphics will be able to processor more data per instruction when equates to better performance. This technology adds 144 new instructions to the CPU core that can be used in a wide variety of applications. Software programmers can for example, take advantage of these new instructions and write more optimized code that take advantage of newer SIMD double-precision floating-point, integer, and cache ability instructions. In theory this will enable better next generation services such as Interactive Digital TV to be produced.

Advanced Dynamic Execution

Advanced Dynamic Execution describes the improved implementation and abilities over the older P6 processor line's out-of-order decoupled super scalar execution. Dynamic execution allows instructions to the processor to be executed without the need to do so in order. The ability to do this can add a significant performance increase versus ordered execution.

Hyper Pipelined Technology & 400MHz System Bus

Hyper Pipelined Technology doubles the pipeline depth the Pentium 4 delivers to 20 stages. This significantly increases the performance and frequency capabilities. Pentium 4 also introduces a 400MHz system bus as opposed to the 100 and

133MHz bus seen in previous Pentium III processors. This allows 3.2Gbytes per second of throughput while the Pentium III had a limited 1.06Gbyte/s throughput. Willamette will reportedly be introduced in the 0.18-micron using aluminum.

For more information about all the cool new features the Pentium 4 delivers check out the Intel website at <http://www.intel.com>

Accelerated Graphics Port (AGP or A.G.P.)

Typically, 3D graphics rendering requires a tremendous amount of memory, and demands ever increasing throughput speed as well. As 3D products for the personal computer become more and more popular, these demands will only increase. This will cause a rise in costs for both end users and manufacturers. Lowering these costs as well as improving performance is the primary motivation behind AGP. By providing a massive increase in the bandwidth available between the video card and the processor, it will assist in relieving some of these pressures for quite sometime.

The board provides the AGP 2.0 interface. The AGP Interface Specification revision 2.0 enhances the functionality of the original AGP Interface Specification (revision 1.0) by allowing 4X data transfers (4 data samples per clock) and 1.5 volt (power supply) operation. The AGP 2.0 interface, along with SDRAM memory technology, allows graphics controllers to access main memory at over 1GB/s. In order to match the 2X and 4X AGP Card. The board used the Universal AGP connector.

Ultra ATA/66/100

The board provides Ultra ATA/66/100 Bus Master IDE controllers, that support Ultra ATA/66/100 protocols, perfect for such demanding applications as real-time video, multimedia, and high performance operating system. A new IDE cable is required for Ultra ATA/66/100. This cable is an 80 conductor cable; however the connectors are, of course, backwards compatible with ATA/33.

Introduction

Hardware Monitoring

Hardware monitoring allows you to monitor various aspects of your systems operations and status. The features include CPU temperature, voltage and RPM of fan.

Mainboard Form-Factor

The board is designed with Micro ATX form factor - the latest industry standard of chassis. The Micro ATX form factor is essentially a Baby-AT baseboard rotated 90 degrees within the chassis enclosure and a new mounting configuration for the power supply. With these changes the processor is relocated away from the expansion slots, allowing them all to hold full length add-in cards. Micro ATX defines a double height aperture to the rear of the chassis which can be used to host a wide range of onboard I/O. Only the size and position of this aperture is defined, allowing PC manufacturers to add new I/O features (e.g.; TV input, TV output, joystick, modem, LAN, audio, etc.) to systems. This will help systems integrators differentiate their products in the marketplace, and better meet your needs.

- By integrating more I/O down onto the board and better positioning the hard drive and floppy connectors material cost of cables and add-in cards is reduced.
- By reducing the number of cables and components in the system, manufacturing time and inventory holding costs are reduced and reliability will increase.
- By using an optimized power supply, it's possible to reduce cooling costs and lower acoustical noise. An ATX power supply, which has a side-mounted fan, allows direct cooling of the processor and add-in cards making a secondary fan or active heatsink unnecessary in most system applications.

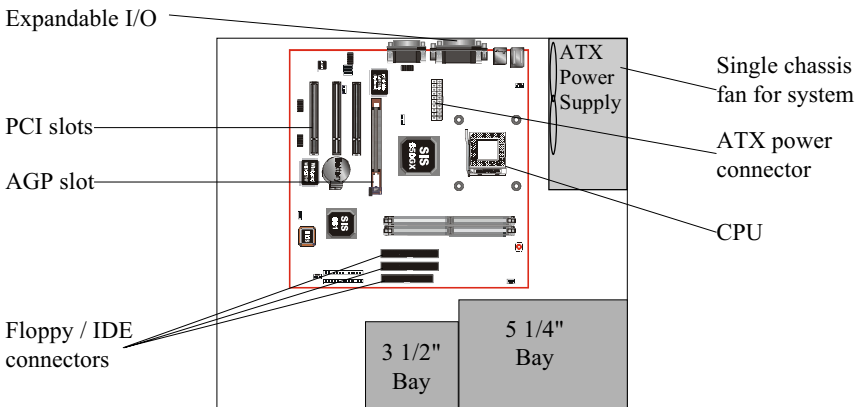


Figure 2: Summary of Micro ATX chassis features

Introduction

I/O Shield Connector

The board is equipped with an I/O back panel. Please use the appropriate I/O shield (figure 3).

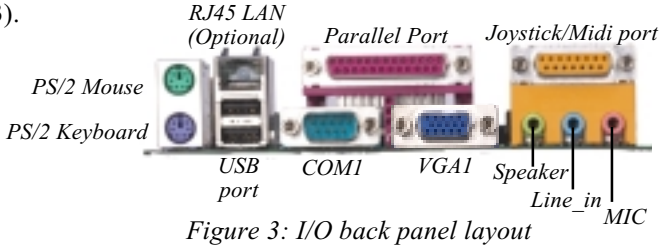


Figure 3: I/O back panel layout

Power-On/Off (Remote)

The board has a single 20-pin connector for ATX power supplies. For ATX power supplies that support the **Remote On/Off** feature, this should be connected to the systems front panel for system Power On/Off button. The systems power On/Off button should be a momentary button that is normally open.

The board has been designed with "Soft Off" functions. You can turn Off the system from one of two sources: The first is the front panel Power On/Off button, and the other is the "Soft Off" function (coming from the BOARD's onboard circuit controller) that can be controlled by the operating system such as Windows® 95/98 and Windows® 2000 to Shutdown the system.

Note: For maintaining the DDR SDRAM power during STR (ACPI S3) function, it is strongly recommend to use ATX power supplies that have a +5VSB current of ($>=$) 1A (1000mA). Please check the 5VSB's specification that has been printed on the ATX power supply's outer case.

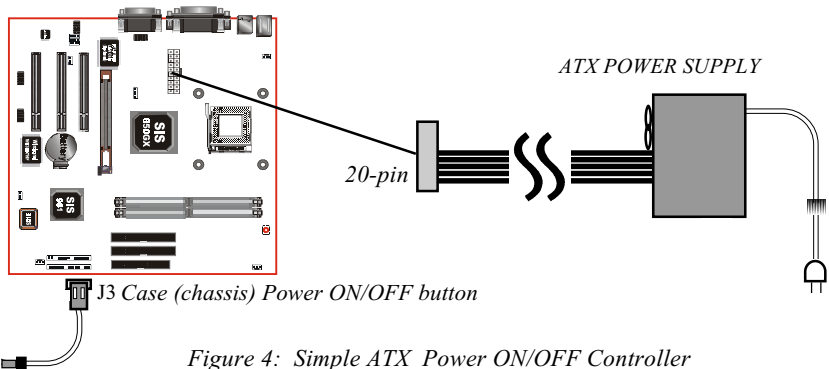


Figure 4: Simple ATX Power ON/OFF Controller

System Block Diagram

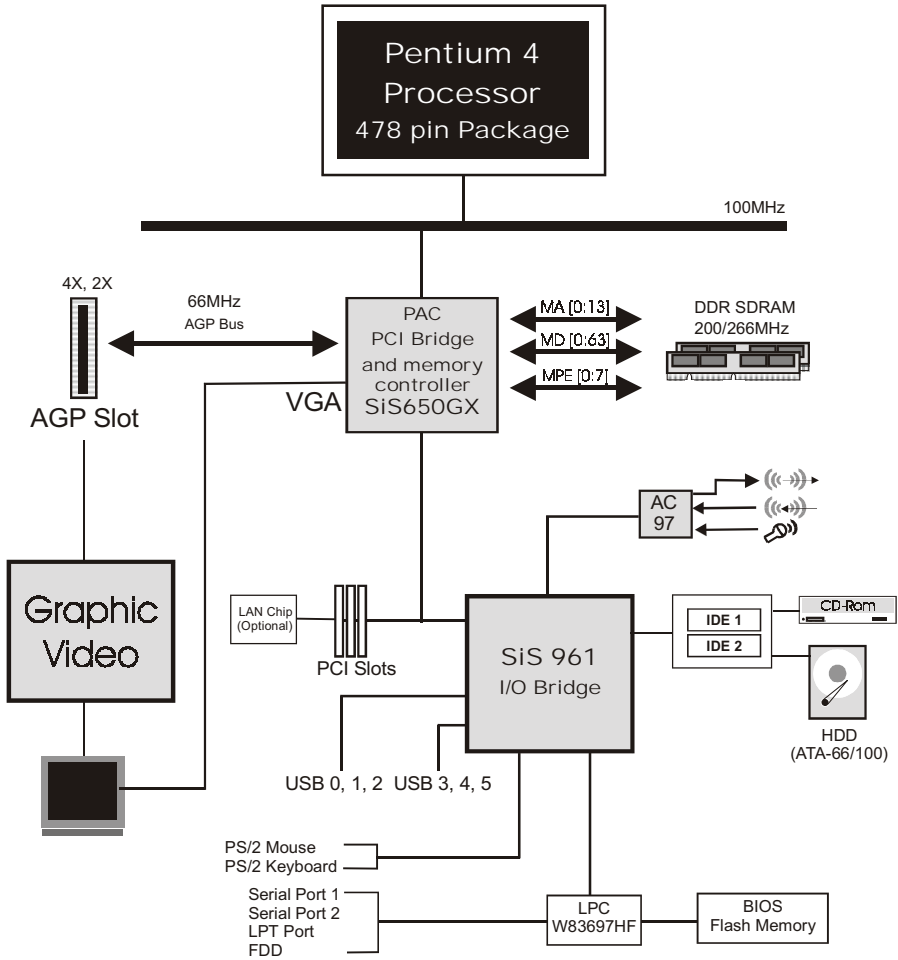


Figure 5: System Block Diagram

Mainboard Features:

◆ **PROCESSOR**

- Intel® Pentium 4 Processor with FC-PGA2 socket 478 package: Operating at 1.4 ~ 2.4GHz

◆ **CHIPSET**

- SiS 650GX Chipset (SiS 650GX + SiS 961)
- Can not support TV-OUT/Digital Flat Panel Solution

◆ **Front Side Bus**

- 100MHz (a data transfer rate of 400MHz)

◆ **DRAM MODULE**

- 184pin DDR DIMM x 2 for PC1600/2100 Memory
- DRAM Size: 64MB to 2GB

◆ **EXPANSION SLOT**

- PCI x 3, 4X AGP x 1

◆ **ONBOARD I/O**

- Winbond W83697HF LPC I/O integrated with FDD, Parallel and Serial, Fast IR and Power-ON controllers

◆ **Onboard LAN (Optional)**

- Integrate 10/100Mb fast Ethernet controller in Realtek RTL8100B Lan chipset by RJ-45 connector

◆ **ONBOARD PCI / IDE**

- SiS 961 Controller
- PCI Rev. 2.2 Compliant

Features

- ACPI Compliant Power Management
- AC97 2.2 Compliant Link for Audio CODEC
- LPC Interface 1.0 Compliance
- PCI Bus IDE Port with PIO /**Ultra DMA-66/100** x 2 (Up to 4 Devices)

◆ I/O CONNECTOR

- PS/2 Mouse and PS/2 style Keyboard
- COM1, COM2 by extra RS232 cable, VGA, Printer, Audio-in/out, MIC & Game port connector

◆ USB

- USB connector x 6 (4 for Opt.)

◆ Built-in AC97 Digital Audio

- Dual full-duplex Direct Sound channels
- FM synthesis for legacy compatibility
- Supports Game and MIDI port

◆ BIOS

- Award Plug & Play BIOS

◆ On Die VGA

- Integrated Graphics Controller

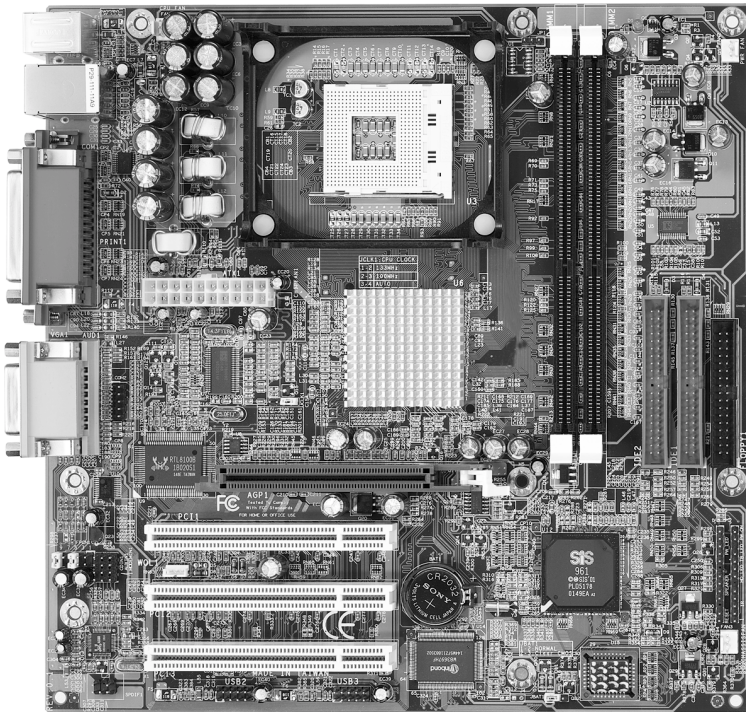
◆ EXTENDED FUNCTION

- Supports Hardware Monitoring Function by W83697HF
- Supports exclusive KBPO (Keyboard Power ON) Function
- Supports STR (Suspend To RAM) power saving Function
- Supports Wake-On-LAN Function
- Supports “Magic Health” and “Easy Boot” Function
- Supports CPU Ratio and Clock Settings via BIOS

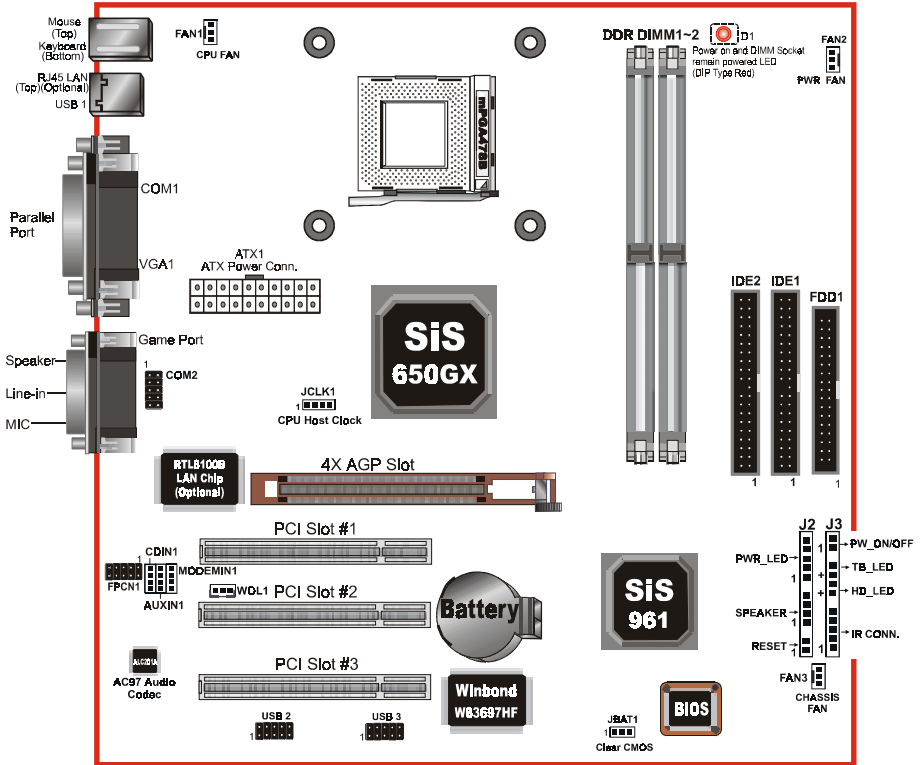
◆ FORM FACTOR

- 245mm x 245mm Micro ATX Size

Section 3
INSTALLATION



Mainboard Detailed Layout



Easy Installation Procedure

The following must be completed before powering on your new system:

- 3-1. CPU Installation**
- 3-2. Jumper Settings**
- 3-3. System Memory Configuration**
- 3-4. Device Connectors**
- 3-5. STR Function**

Section 3-1 CPU Installation

CPU Installation:

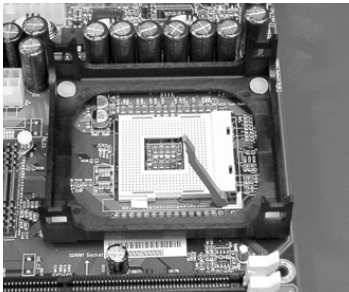


Figure 1

Step 1

Open the socket by raising the actuation lever.

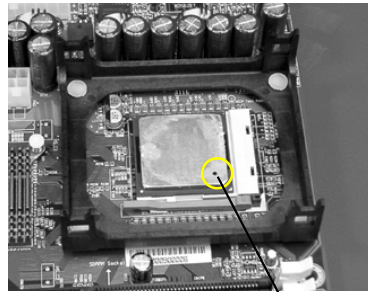


Figure 2 **Pin 1**

Step 2

Insert the processor.

Ensure proper pin 1 orientation by aligning the FC-PGA2 corner marking with the socket corner closest to the actuation arm tip. The pin field is keyed to prevent mis-oriented insertion. Don't force processor into socket. If it does not go in easily, check for mis-orientation and debris. Make sure the processor is fully inserted into the socket on all sides.

Installation

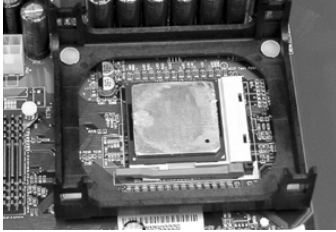


Figure 3

Step 3

Close the socket by lowering and locking the actuation lever.



Figure 4

Step 4

Install the Fan Heatsink.

* Please do apply thermal compound between CPU and Heatsink.

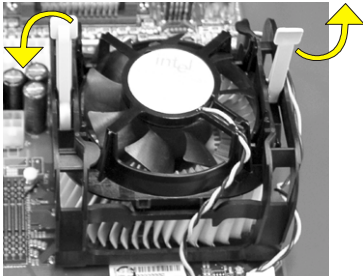


Figure 5

Step 5

Install the Shroud Assembly and follow the arrow of Figure 5 for press the two Clip Assembly.

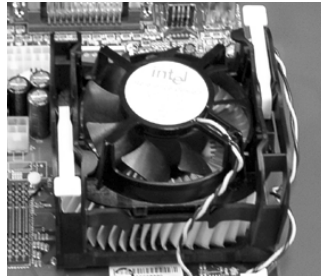


Figure 6

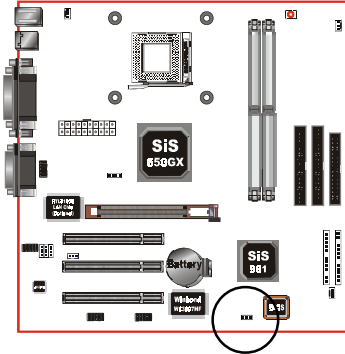
Step 6

Make sure the CPU fan is plugged to the CPU fan connector. The installation is completed.

NOTE:

1. Intel Pentium™ 4 processor might be crashed if installed with a regular CPU Fan since it is equipped with all new micro- architecture that brings quite small size of CPU(Die). We recommend using Intel's reference design thermal solution which is an active heatsink; an extruded aluminum heatsink based and a fan attached to the top on the fin array.
Additionally, please do apply heatsink thermal compound or paste and install CPU fan to avoid CPU overheated and damaged.
2. According to the guidance of Intel Corp, please do not install the same CPU over 50 times as it will bend the pins and damage the CPU.

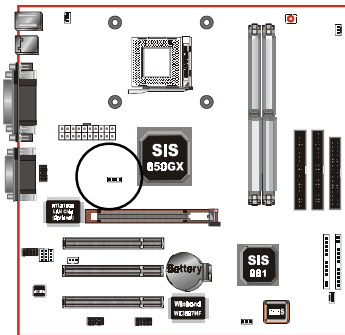
Section 3-2 Jumper Settings



JBAT1



- 1
- CMOS Clear
 - 1-2: Normal (Default)
 - 2-3: Clear CMOS



JCLK1



- 1
- CPU Host Clock Select
 - 1-2: 133MHz
 - 2-3: 100MHz
 - 3-4: AUTO (Default)

Installation

Section 3-3 System Memory Configuration

Memory Layout

The board supports (2) PC1600/2100 184-pin DIMMs (Dual In-line Memory Module). The DIMMs is for DDR SDRAM (Double-Data-Rate Synchronous DRAM) only.

- Supports 64Mbit, 128Mbit, 256Mbit and 512Mbit technology.
- Supports up to two unbuffered DDR DIMMs.
- Up to 1GB per DIMM with max. memory size up to 2GB.

Figure 7 and Table 1 show several possible memory configurations.

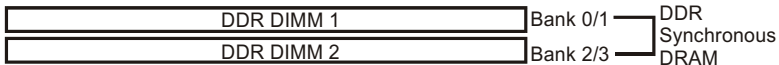


Figure 7

Total Memory	DDR DIMM 1 (Bank 0/1)	DDR DIMM 2 (Bank 2/3)
= 1GB Maximum	DDR SDRAM* 64MB, 128MB, 256MB, 512MB, 1GB* X 1	None
= 2GB Maximum	DDR SDRAM* 64MB, 128MB, 256MB, 512MB, 1GB* X 1	DDR SDRAM* 64MB, 128MB, 256MB, 512MB, 1GB* X 1

Table 1

* DDR SDRAM supports 64, 128, 256, 512MB and 1GB DIMM modules.

* 1GB module using 512Mb technology.

* **This mainboard doesn't support ECC memory module.**

DIMM Module Installation

Figure 8 displays the notch marks and what they should look like on your DDR DIMM memory module.

DIMMs have 184-pins and one notch that will match with the onboard DDR DIMM socket. DIMM modules are installed by placing the chip firmly into the socket at a 90 degree angle and pressing straight down (figure 9) until it fits tightly into the DIMM socket (figure 10).

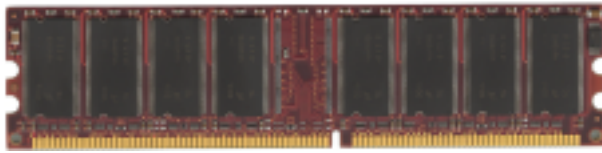


Figure 8

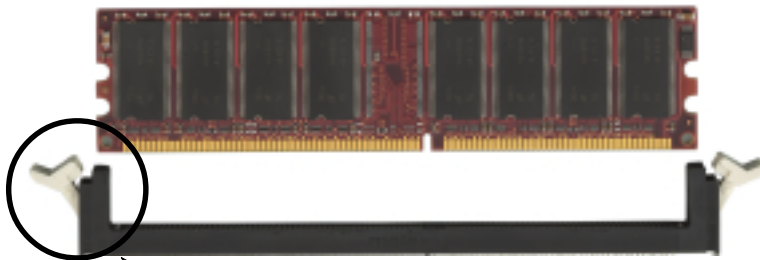


Figure 9

DIMM Module clip before installation

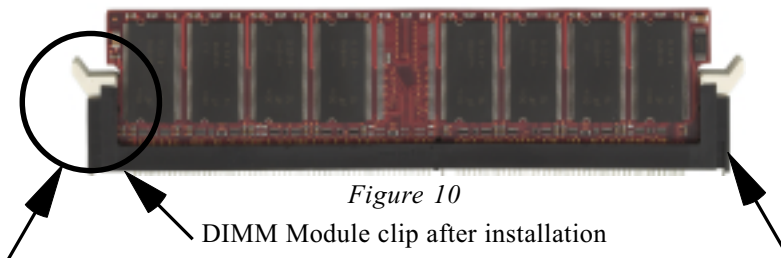


Figure 10

DIMM Module clip after installation

To remove the DIMM module simply press down both of the white clips on either side and the module will be released from the socket.

Installation

Section 3-4 Device Connectors

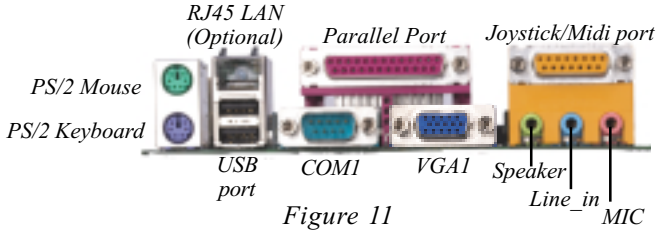
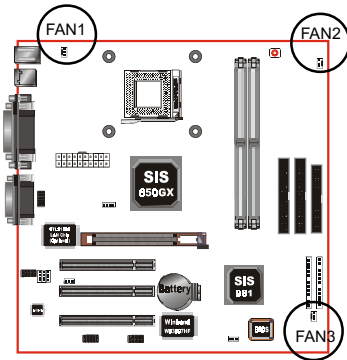


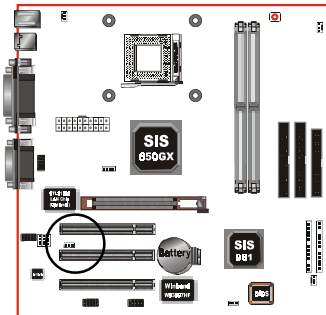
Figure 11



FAN1 / FAN2 / FAN3:

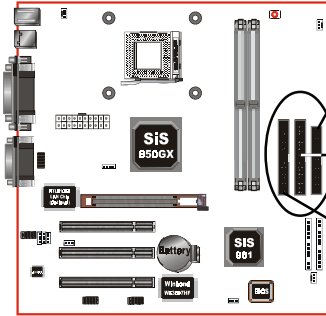
- The plug-in for CPU/Power/Chassis Fan power

FAN1: CPU Fan FAN2: Power Fan FAN3: Chassis Fan



WOL1: WOL (Wake On LAN) Connector
Reserved for NIC (Network Interface Card) to wake the system.

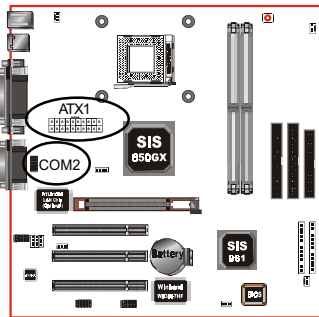




FDD1: Floppy Controller Connector
(Black color)

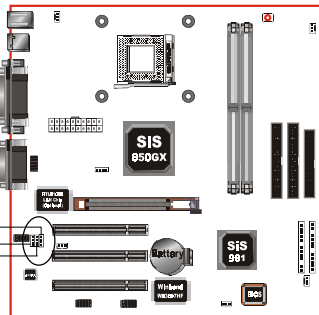
IDE1: Ultra DMA-66/100 Primary IDE
Connector (Blue color)

IDE2: Ultra DMA-66/100 Secondary IDE
Connector (Blue color)

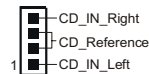


ATX1: ATX Power Connector
• 20-pin power connector

COM2: RS232 COM2 Connector



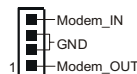
CDIN1: CD Audio_IN Connector



AUXIN1: Auxiliary Line_IN Connector

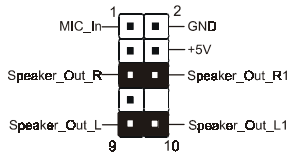
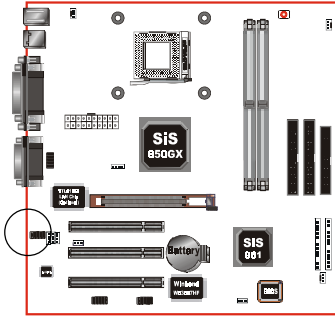


MODEMIN1: Telephony Connector for Modem
audio output



MODEMIN1
CDIN1
AUXIN1

Installation



FPCN1: Front Panel Audio Connector

A feature of the front panel headphone jack is that rear panel audio output connectors are disabled when headphones are plugged in.

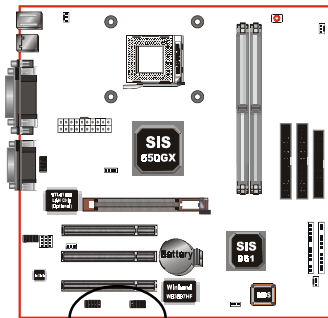
If the front panel interface board is not connected to the front panel audio header, pins 5, 6, 9 and 10 should be jumpered on the front panel audio header.

If these jumpers are not installed, the rear panel audio connectors will be inoperative.

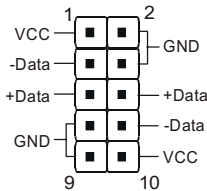
Note:

Pin (5-6) & (9-10) Short: Only Onboard Rear Audio (Speaker) can be use. (Default)

Pin (5-6) & (9-10) Open: Only Front Panel Audio can be use.



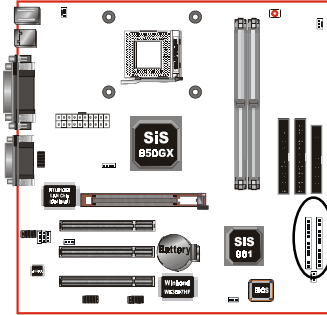
USB2 USB3



USB2/3: USB port header pins for share with four USB ports.

USB port header pin descriptions.

PIN#	Wire color	Signal Name	Comment
1	Red	Vcc	Cable Power
2	Black	Ground	Case Ground
3	White	-Data	Data
4	Black	Ground	Cable Ground
5	Green	+Data	Data
6	Green	+Data	Data
7	Black	Ground	Cable Ground
8	White	-Data	Data
9	Black	Ground	Case Ground
10	Red	Vcc	Cable Power



◆ Power On/Off

(This is connected to the power button on the case. Using the Soft-Off by Pwr-BTTN feature, you can choose either Instant Off (turns system off immediately), or 4 sec delay (you need to push the button down for 4 seconds before the system turns off). When the system is in 4 sec delay mode, suspend mode is enabled by pushing the button momentarily.)

◆ Turbo LED indicator

LED ON when higher speed is selected

◆ IDE LED indicator

LED ON when Onboard PCI IDE Hard disks is activate

◆ IR Connector

- | | |
|---------|---------|
| 1. VCC | 4. GND |
| 2. NC | 5. IRTX |
| 3. IRRX | |

◆ Power LED

Power LED connector

- | | |
|-----------------|--------|
| 1. Power LED(+) | 4. NC |
| 2. N/C | 5. GND |
| 3. GND | |

◆ Speaker

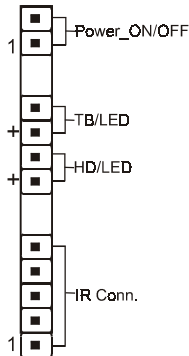
Connect to the system's speaker for beeping

- | | |
|------------|--------|
| 1. Speaker | 3. GND |
| 2. N/C | 4. GND |

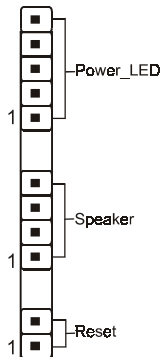
◆ Reset

Closed to restart system.

J3



J2



Installation

3-5 STR (Suspend To RAM) Function

The board supports the STR power management state by maintaining the appropriate states on the DDR SDRAM interface signals. The power source must be kept alive to the DDR SDRAM during STR (ACPI S3). Advanced Configuration Power Interface (ACPI) provides more Energy Saving Features for operating systems that supporting Instant ON and QuickStart™ function.

1. To enable the ACPI function and use the STR functionally to save your system energy, you are recommended to confirm the following requirements:
 - a. Please do install all ACPI qualified add-on cards such as AGP, LAN, Modem cards.
 - b. In BIOS, please select “ACPI function: Enable” and “ACPI Suspend Type: S3(STR)” in the Power Management Setup menu.
 - c. Then, please install the Windows® 98SE/ME or Windows® 2000.
 - d. Restart your system.
 - e. Getting in to the “Advanced” of the Power Management icon of Control Panel, and selecting the “Stand By” in the Power Buttons.
2. Getting start with STR function, please click the START button and choose Shut Down. Then, select the Stand By option in the Shut Down Windows box to get into STR mode.

Here are the differences between STR power saving mode and Green (or Suspend) mode:

- a. It is the most advanced Power Management mode
- b. It cuts all the power supplied to peripherals except to Memory - max. power saving
- c. It saves and keeps all on-screen data including any executed applications to DDR SDRAM.

- d. You must push the Power button connected with onboard J3 pin to wake up your system (not to click to PS/2 mouse or press PS/2 keyboard to wake up the system).

Just pushing Power button, your system will quickly back to the last screen for you.

The “LED Indicator for ACPI Status” table shown below will guide you and give you a reference for ACPI status on this mainboard.

ACPI Onboard's LED Status Indicator Table					
Onboard's LED Location	Status				
	Plug in the ATX Power Core	Power ON J3(PW-ON)	Green Mode (S1)	STR (S3)	Shutdown (Soft-OFF) (S5)
D1 (Red LED)	OFF	ON	ON	ON	OFF
J2 PW_LED	OFF	ON	Blinking	Slow Blinking	OFF

Section 4 BIOS SETUP

Main Menu

Once you enter the AwardBIOS™ CMOS Setup Utility, the Main Menu will appear on the screen. The Main Menu allows you to select from several setup functions and two exit choices. Use the arrow keys to select among the items and press <Enter> to accept and enter the sub-menu.



Note that a brief description of each highlighted selection appears at the bottom of the screen.

Setup Items

The main menu includes the following main setup categories. Recall that some systems may not include all entries.

Standard CMOS Features

Use this menu for basic system configuration.

BIOS

Advanced BIOS Features

Use this menu to set the Advanced Features available on your system.

Advanced Chipset Features

Use this menu to change the values in the chipset registers and optimize your system's performance.

Integrated Peripherals

Use this menu to specify your settings for integrated peripherals.

Power Management Setup

Use this menu to specify your settings for power management.

PnP / PCI Configuration

This entry appears if your system supports PnP / PCI.

PC Health Status

This item is only show the system health status (include Voltage, Fan speed, CPU temperature...)

Frequency/Voltage Control

Use this menu to specify your settings for frequency/voltage control.

Load Fail-Safe Defaults

Use this menu to load the BIOS default values for the minimal/stable performance for your system to operate.

Load Optimized Defaults

Use this menu to load the BIOS default values that are factory settings for optimal performance system operations. While Award has designed the custom BIOS to maximize performance, the factory has the right to change these defaults to meet their needs.

Set Password

Use this menu to set Passwords.

Save & Exit Setup

Save CMOS value changes to CMOS and exit setup.

Exit Without Saving

Abandon all CMOS value changes and exit setup.

4-1 Standard CMOS Setup

The items in Standard CMOS Setup Menu are divided into 10 categories. Each category includes no, one or more than one setup items. Use the arrow keys to highlight the item and then use the <PgUp> or <PgDn> keys to select the value you want in each item.

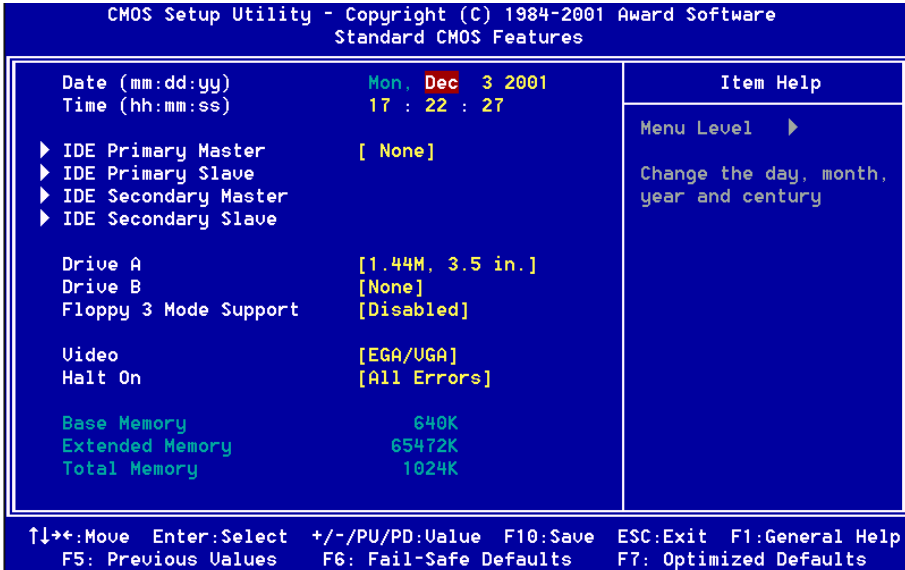


Figure 1: The Main Menu

Main Menu Selections

This table shows the selections that you can make on the Main Menu

Item	Options	Description
Date	Month DD YYYY	Set the system date. Note that the 'Day' automatically changes when you set the date
Time	HH : MM : SS	Set the system time
IDE Primary Master	Options are in its sub menu (described in Table 3)	Press <Enter> to enter the sub menu of detailed options
IDE Primary Slave	Options are in its sub menu (described in Table 3)	Press <Enter> to enter the sub menu of detailed options
IDE Secondary Master	Options are in its sub menu (described in Table 3)	Press <Enter> to enter the sub menu of detailed options
IDE Secondary Slave	Options are in its sub menu (described in Table 3)	Press <Enter> to enter the sub menu of detailed options
Drive A Drive B	None 360K, 5.25 in 1.2M, 5.25 in 720K, 3.5 in 1.44M, 3.5 in 2.88M, 3.5 in	Select the type of floppy disk drive installed in your system
Video	EGA/VGA CGA 40 CGA 80 MONO	Select the default video device
Halt On	All Errors No Errors All, but Keyboard All, but Diskette All, but Disk/Key	Select the situation in which you want the BIOS to stop the POST process and notify you
Base Memory	N/A	Displays the amount of conventional memory detected during boot up
Extended Memory	N/A	Displays the amount of extended memory detected during boot up
Total Memory	N/A	Displays the total memory available in the system

Table 2 Main Menu Selections

IDE Adapters

The IDE adapters control the hard disk drive. Use a separate sub menu to configure each hard disk drive.

Figure 2 shows the IDE primary master sub menu.

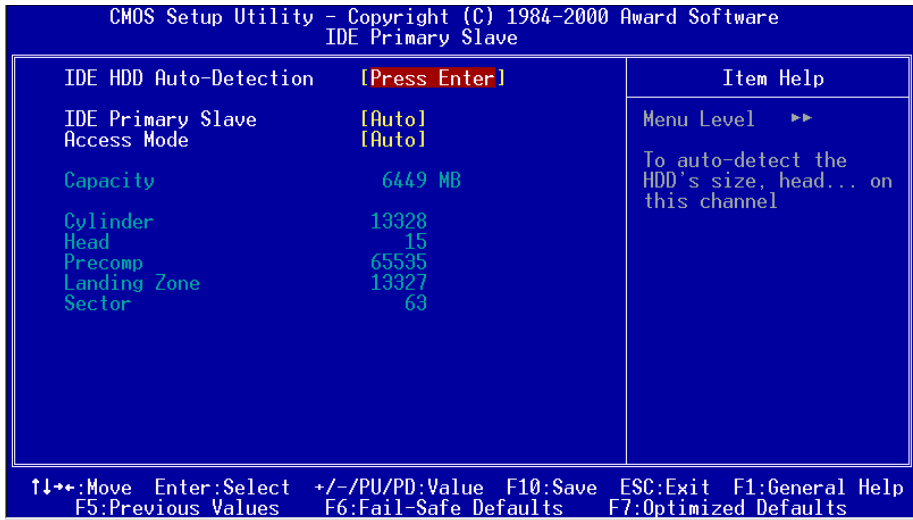


Figure 2 IDE Primary Master sub menu

BIOS

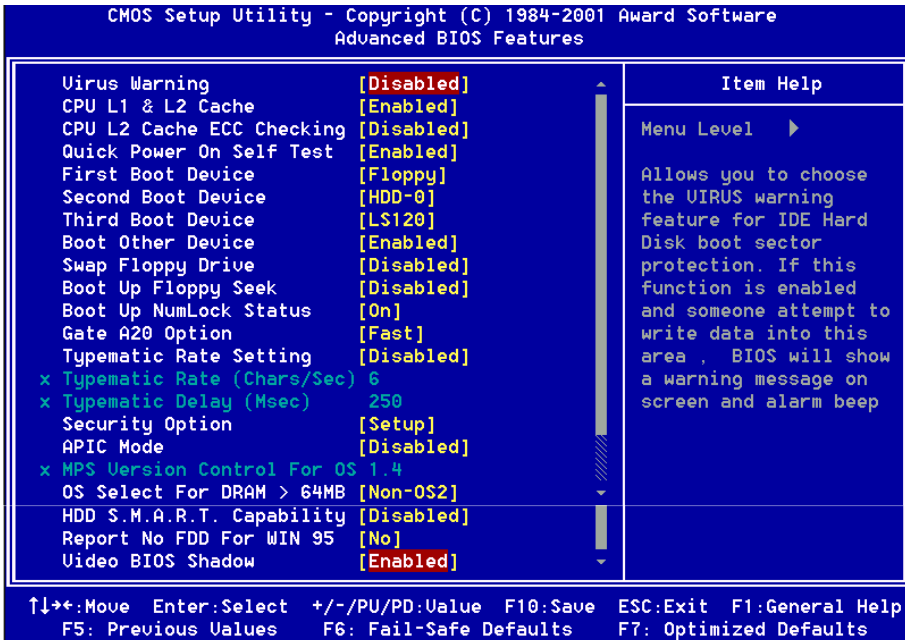
Use the legend keys to navigate through this menu and exit to the main menu. Use Table 3 to configure the hard disk.

<i>Item</i>	<i>Options</i>	<i>Description</i>
IIDE HDD Auto-detection	Press Enter	Press Enter to auto-detect the HDD on this channel. If detection is successful, it fills the remaining fields on this menu.
IDE Primary Master	None Auto Manual	Selecting 'manual' lets you set the remaining fields on this screen. Selects the type of fixed disk. "User Type" will let you select the number of cylinders, heads, etc. Note: PRECOMP=65535 means NONE !
Capacity	Auto Display your disk drive size	Disk drive capacity (Approximated). Note that this size is usually slightly greater than the size of a formatted disk given by a disk checking program.
Access Mode	Normal LBA Large Auto	Choose the access mode for this hard disk
The following options are selectable only if the 'IDE Primary Master' item is set to 'Manual'		
Cylinder	Min = 0 Max = 65535	Set the number of cylinders for this hard disk.
Head	Min = 0 Max = 255	Set the number of read/write heads
Precomp	Min = 0 Max = 65535	**** Warning: Setting a value of 65535 means no hard disk
Landing zone	Min = 0 Max = 65535	****
Sector	Min = 0 Max = 255	Number of sectors per track

Table 3 Hard disk selections

4-2 Advanced BIOS Features

This section allows you to configure your system for basic operation. You have the opportunity to select the system's default speed, boot-up sequence, keyboard operation, shadowing and security.



Virus Warning

Allows you to choose the VIRUS Warning feature for IDE Hard Disk boot sector protection. If this function is enabled and someone attempt to write data into this area, BIOS will show a warning message on screen and alarm beep.

Enabled: Activates automatically when the system boots up causing a warning message to appear when anything attempts to access the boot sector or hard disk partition table.

Disabled: No warning message will appear when anything attempts to access the boot sector or hard disk partition table.

CPU L1 & L2 Cache

These two categories speed up memory access. However, it depends on CPU/chipset design.

BIOS

CPU L2 Cache ECC Checking

This item allows you to enable/disable CPU L2 Cache ECC checking.

The choices: Enabled, Disabled.

Quick Power On Self Test

This category speeds up Power On Self Test (POST) after you power up the computer. If it is set to Enable, BIOS will shorten or skip some check items during POST.

Enabled: Enable quick POST

Disabled: Normal POST

First/Second/Third/Other Boot Device

The BIOS attempts to load the operating system from the devices in the sequence selected in these items.

The Choices: Floppy, LS120, HDD-0, SCSI, CDROM, HDD-1, HDD-2, HDD-3, ZIP100, LAN, USB-FDD, USB-ZIP, USB-CDROM, USB-HDD, Disabled.

Swap Floppy Drive

If the system has two floppy drives, you can swap the logical drive name assignments.

The choices: Enabled, Disabled.

Boot Up Floppy Seek

Seeks disk drives during boot up. Disabling speeds boot up.

The choices: Enabled, Disabled.

Boot Up NumLock Status

Select power on state for NumLock.

The choices: On/Off.

Gate A20 Option

Select if chipset or keyboard controller should control GateA20.

Normal: A pin in the keyboard controller controls GateA20

Fast: Lets chipset control GateA20

Typematic Rate Setting

Key strokes repeat at a rate determined by the keyboard controller. When enabled, the typematic rate and typematic delay can be selected.

The choices: Enabled/Disabled.

Typematic Rate (Chars/Sec)

Sets the number of times a second to repeat a key stroke when you hold the key down.

The choices: 6, 8, 10, 12, 15, 20, 24, 30.

Typematic Delay (Msec)

Sets the delay time after the key is held down before it begins to repeat the keystroke.

The choices: 250, 500, 750, 1000.

Security Option

Select whether the password is required every time the system boots or only when you enter setup.

System The system will not boot and access to Setup will be denied if the correct password is not entered at the prompt.

Setup The system will boot, but access to Setup will be denied if the correct password is not entered at the prompt.

Note: To disable security, select PASSWORD SETTING at Main Menu and then you will be asked to enter password. Do not type anything and just press <Enter>, it will disable security. Once the security is disabled, the system will boot and you can enter Setup freely.

APIC Mode

This item allows you to enable or disable the Advanced Programmable Interrupt Controller.

The choices: Enabled, Disabled.

MPS Version Control For OS

1.4: For Windows 2000.

1.1: For WinNT4.

OS Select For DRAM > 64MB

Select the operating system that is running with greater than 64MB of RAM on the system. The choices: Non-OS2, OS2.

HDD S.M.A.R.T. Capability

This item allows you to choose the HDD S.M.A.R.T for detect HDD condition.

The choices: Enabled, Disabled.

BIOS

Report No FDD For Win 95

Whether report no FDD for Win 95 or not.

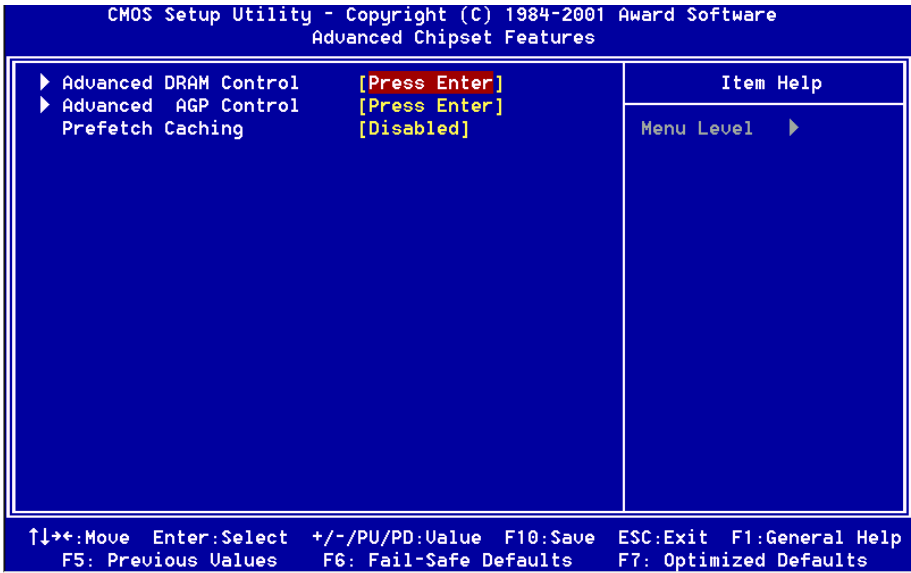
The choices: Yes, No.

Video BIOS Shadow

This option allows video BIOS to be copied into RAM. Video Shadowing will increase the video performance of your system.

The choices: Enabled, Disabled.

4-3 Advanced Chipset Features



This section allows you to configure the system based on the specific features of the installed chipset. This chipset manages bus speeds and access to system memory resources, such as DRAM and the external cache. It also coordinates communications between the conventional ISA bus and the PCI bus. It must be stated that these items should never need to be altered. The default settings have been chosen because they provide the best operating conditions for your system. The only time you might consider making any changes would be if you discovered that data was being lost while using your system.

Prefetch Caching

PCI slave control Prefetch Caching.

The Choices: Enabled, Disabled.

BIOS

CMOS Setup Utility - Copyright (C) 1984-2001 Award Software	
Advanced DRAM Control	
DRAM Timing Control	[By SPD]
x RAS Precharge Time(tRP)	3T
x RAS Active Time(tRAS)	6T
x RAS to CAS Delay(tRCD)	3T
CAS Latency Setting	[2.5T]
DRAM Addr/Cmd Rate	[AUTO]

Item Help
Menu Level >>

▶ Advanced DRAM Control

DRAM Timing

Select SPD for setting SDRAM timing by SPD.

The Choices: Manual, SPD.

RAS Prcharge Time (tRP)

Setup the minimum row precharge time.

The Choices: 2T, 3T, 4T.

RAS Active Time (tRAS)

Setup the minimum RAS pulse width.

The Choices: 4T, 5T, 6T, 7T.

RAS to CAS Delay (tRCD)

Setup the minimum RAS to CAS delay.

The Choices: 2T, 3T, 4T.

CAS Latency Setting

When synchronous DRAM is installed, the number of clock cycles of CAS latency depends on the DRAM timing.

The Choices: 2T, 2.5T, 3T.

DRAM Addr/Cmd Rate

Setup the timing at each cycle.

The Choices: Auto, 1T, 2T.

CMOS Setup Utility - Copyright (C) 1984-2001 Award Software Advanced AGP Control	
AGP Aperture Size	[128MB]
Graphic Window WR Combin	[Disabled]
AGP Fast Write	[Disabled]
AGP sideband address	[Disabled]
AGP Capability	[4X]
AGP Driving Calibration	[Auto]
x AGP Driving Value	DA

Item Help
Menu Level ▶▶

▶ Advanced AGP Control

AGP Aperture Size

The amount of system memory that the AGP card is allowed to share. The default is 128MB.

The Choices: 4MB, 8MB, 16MB, 32MB, 64MB, 128MB, 256MB.

Graphic Window WR Combin

To program P6 class CPU video RAM cache write-combination mode to enhance 3D video performance.

The choices: Enabled, Disabled.

AGP Fast Write

Selecting enabled allows to use Fast Write Protocol for 4X AGP Card.

The choices: Enabled, Disabled.

AGP Sideband Address

Selecting enabled allows to use AGP Sideband Address for AGP Card.

The choices: Enabled, Disabled.

AGP Capability

AGP Mode support select.

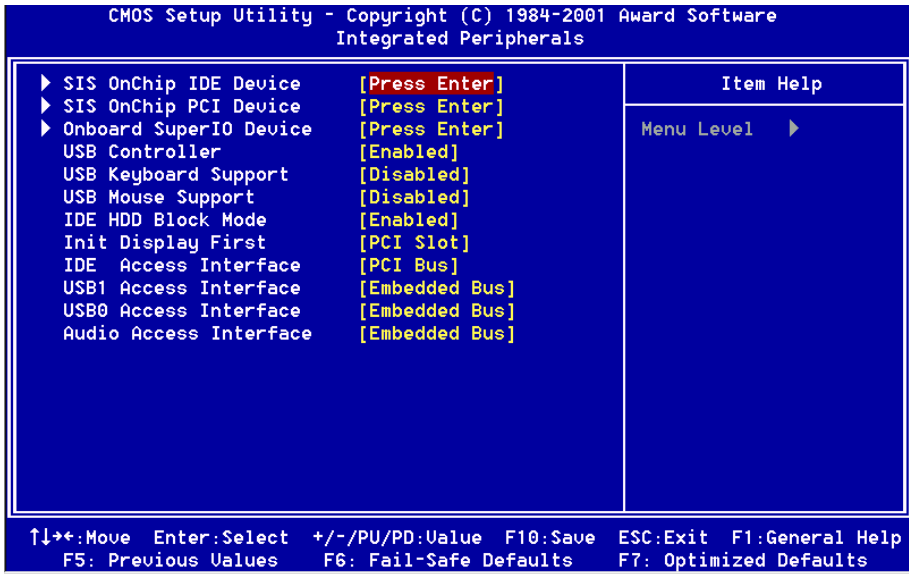
The choices: 1X, 2X, 4X.

AGP Diving Calibration

This item allows you to adjust the AGP driving force. Choose Manual to key in a AGP Driving Value in the next selection. This field is recommended to set in **Auto** for avoiding any error in your system.

The choices: Auto, Manual.

4-4 Integrated Peripherals



USB Controller

Select *Enabled* if your system contains a Universal Serial Bus (USB) controller and you have USB peripherals.

The choices: Enabled, Disabled.

USB Keyboard/Mouse Support

Select *Enabled* if your system contains a Universal Serial Bus (USB) controller and you have a USB peripherals.

The choices: Enabled, Disabled.

IDE HDD Block Mode

Block mode is also called block transfer, multiple commands, or multiple sector read/write. If your IDE hard drive supports block mode (most new drives do), select *Enabled* for automatic detection of the optimal number of block read/writes per sector the drive can support.

The choices: Enabled, Disabled.

Init Display First

This item allows you to decide to active whether PCI Slot or on-chip VGA first
The choices: PCI Slot, Onboard.

IDE Access Interface

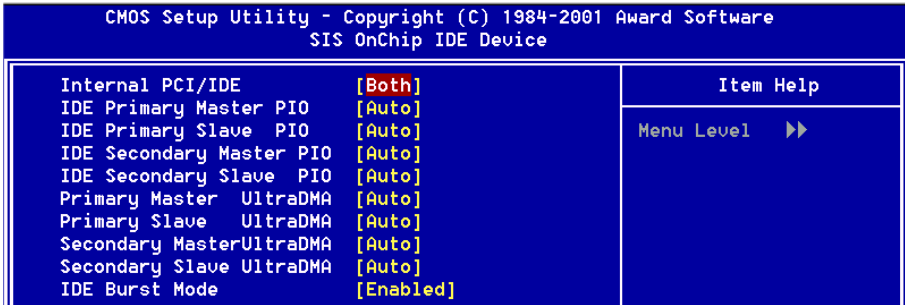
IDE Access Interface Selection.
The choices: Embedded Bus, PCI Bus.

USB1/0 Access Interface

IDE Access Interface Selection.
The choices: Embedded Bus, PCI Bus.

Audio Access Interface

IDE Access Interface Selection.
The choices: Embedded Bus, PCI Bus.



▶ **SIS OnChip IDE Device**

Internal PCI/IDE

This chipset contains an internal PCI IDE interface with support for two IDE channels.

The choices: Primary, Secondary, Both, Disabled.

IDE Primary/Secondary Master/Slave PIO

The four IDE PIO (Programmed Input/Output) fields let you set a PIO mode (0-4) for each of the four IDE devices that the onboard IDE interface supports. Modes 0 through 4 provide successively increased performance. In Auto mode, the system automatically determines the best mode for each device.

The choices: Auto, Mode 0, Mode 1, Mode 2, Mode 3, Mode 4.

Primary/Secondary Master/Slave UDMA

Ultra DMA/33 implementation is possible only if your IDE hard drive supports it and the operating environment includes a DMA driver (Windows 95 OSR2 or a third-party IDE bus master driver). If your hard drive and your system software both support Ultra DMA/33, select Auto to enable BIOS support.

The Choices: Auto, Disabled.

IDE Burst Mode

Selecting Enabled reduces latency between each drive read/write cycle, but may cause instability in IDE subsystems that cannot support such fast performance. If you are getting disk drive errors, try setting this value to Disabled. This field does not appear when the Internal PCI/IDE field, above, is Disabled.

The choices: Enabled, Disabled.

CMOS Setup Utility - Copyright (C) 1984-2001 Award Software
SIS OnChip PCI Device

SIS-7012 AC97 AUDIO	[Enabled]	Item Help
Game Port Address	[201]	
Midi Port Address	[Disabled]	Menu Level >>
x Midi Port IRQ	10	
System Share Memory Size	[32 MB]	
Realtek 8139 PCI Lan	[Enabled]	
Onboard Lan Boot ROM	[Disabled]	

▶ SIS OnChip PCI Device

SIS-7012 AC97 AUDIO

Select Enabled to support AC97 Audio.

The choices: Enabled, Disabled.

Game Port Address

Select an address for the Game port.

The choices: 201, 209, Disabled.

Midi Port Address

Select an address for the Midi port.

The choices: 290, 300, 330, Disabled.

Midi Port IRQ

Select an interrupt for the Midi port.

The choices: 5, 10.

System Share Memory Size

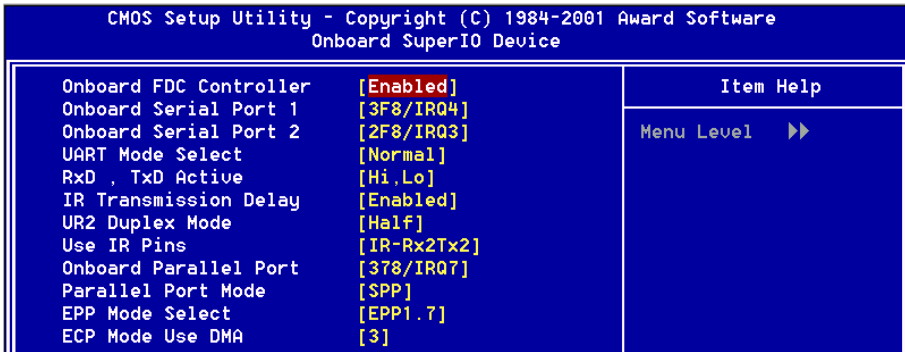
This item defines the System Share Memory Size for video.
 The choices: 4MB, 8MB, 16Mb, 32MB, 64MB.

Realtek 8139 PCI Lan (Optional)

This item allows you to enable or disable the Realtek 8139 PCI Lan function.
 The choices: Enabled, Disabled.

Onboard Lan Boot ROM (Optional)

This item allows you to decide whether to invoke the boot ROM of the onboard LAN chip.
 The choices: Enabled, Disabled.



▶ **Onboard Super IO Device**

Onboard FDC Controller

Select Enabled if your system has a floppy disk controller (FDC) installed on the system board and you wish to use it. If you install and-in FDC or the system has no floppy drive, select Disabled in this field.
 The choices: Enabled, Disabled.

Onboard Serial Port 1/Port 2

Select an address and corresponding interrupt for the first and second serial ports.
 The choices: 3F8/IRQ4, 2E8/IRQ3, 3E8/IRQ4, 2F8/IRQ3, Disabled, Auto.

UART Mode Select

This filed allows the users to configure what IR mode the 2nd serial port should use. The default is Normal.
 Optional: Normal, IrDA and ASKIR.

RxD, TxD Active

This field configures the receive and transmit signals generated from the IR port. The default is Hi Lo (when UART Mode Select is not set to Normal).

Options: Hi Hi, Hi Lo, Lo Hi, and Lo Lo.

IR Transmission delay

The default is Enabled (when UART Mode Select is not set to Normal).

Options: Enabled and Disabled.

UR2 Duplex Mode

This item allows you to select IR half/full duplex function.

The choices: Half, Full

Use IR Pins

This item allows you to select IR transmission routes, one is RxD2, TxD2 (COM Port) and the other is IR-Rx2Tx2.

The choices: IR-Rx2Tx2, RxD2, TxD2.

Onboard Parallel port

This field allows the user to configure the LPT port.

The choices: 378H / IRQ7, 278H/IRQ5, 3BCH/IRQ7, Disabled.

Parallel Port Mode

This field allows the user to select the parallel port mode.

The choices: ECP+EPP, EPP, ECP.

EPP Mode Select

This item allows you to determine the IR transfer mode of onboard I/O chip.

options: EPP1.9, EPP1.7.

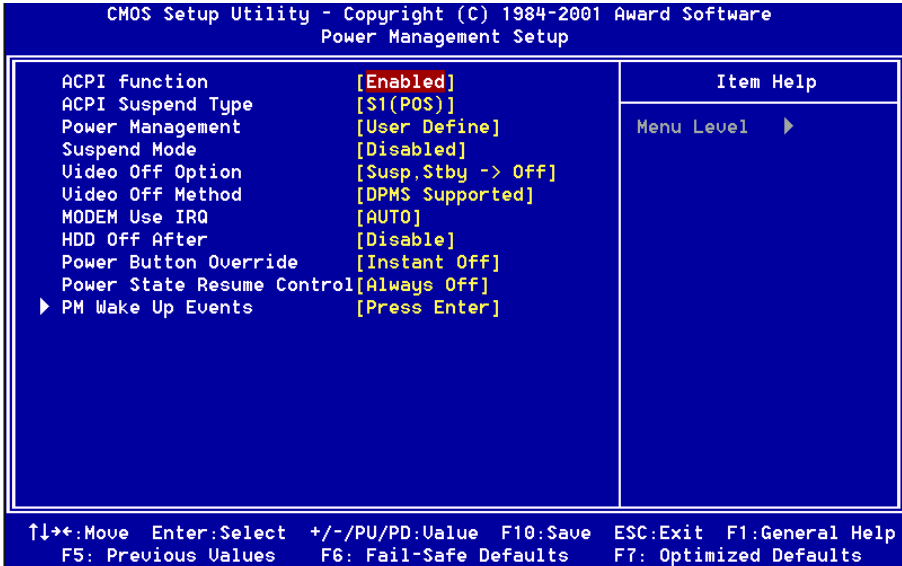
ECP Mode USE DMA

This field allows the user to select DMA1 or DMA3 for the ECP mode.

The choices: 1,3.

4-5 Power Management Setup

The Power Management Setup allows you to configure your system to most effectively save energy while operating in a manner consistent with your own style of computer use.



ACPI Function

This item allows you to enable/disable the Advanced Configuration and Power Management (ACPI).

The choices: Enabled, Disabled.

ACPI Suspend Type

This item allows you to select S1(POS) or S3(STR) function.

The choices: S1(POS), S3(STR).

Power Management

Use this to select your Power Management selection. The default is User define.

Max. saving: Maximum power savings. Inactivity period is 1 minute in each mode.

Min. saving: Minimum power savings. Inactivity period is 1 hour in each mode.

User define: Allows user to define PM Timers parameters to control power saving mode.

BIOS

Suspend Mode

When enabled and after the set time of system inactivity, all devices except the CPU will be shut off.

The choices: Enabled, Disabled.

Video Off Option

When enabled, this feature allows the VGA adapter to operate in a power saving mode.

Always On	Monitor will remain on during power saving modes.
Suspend --> Off	Monitor blanked when the systems enters the Suspend mode.
Susp,Stby --> Off	Monitor blanked when the system enters either Suspend or Standby modes.
All Modes --> Off	Monitor blanked when the system enters any power saving mode.

Video Off Method

This determines the manner in which the monitor is blanked.

V/H SYNC+Blank	This selection will cause the system to turn off the vertical and horizontal synchronization ports and write blanks to the video buffer.
Blank Screen	This option only writes blanks to the video buffer.
DPMS	Initial display power management signaling.

MODEM Use IRQ

This determines the IRQ in which the MODEM can use.

The choices: 3, 4, 5, 7, 9, 10, 11, Auto.

HDD Off After

By default, this item is Disabled, meaning that no matter the mode the rest of the system, the hard drive will remain ready. Otherwise, you have a range of choicess from 1 to 15 minutes or Suspend. This means that you can elect to have your hard disk drive be turned off after a selected number of minutes or when the rest of the system goes into a Suspend mode.

Power Button Override

Pressing the power button for more than 4 seconds forces the system to enter the Soft-Off state when the system has “hung.” The default is Instant-off.

The choices: Delay 4 Sec, Instant-Off.

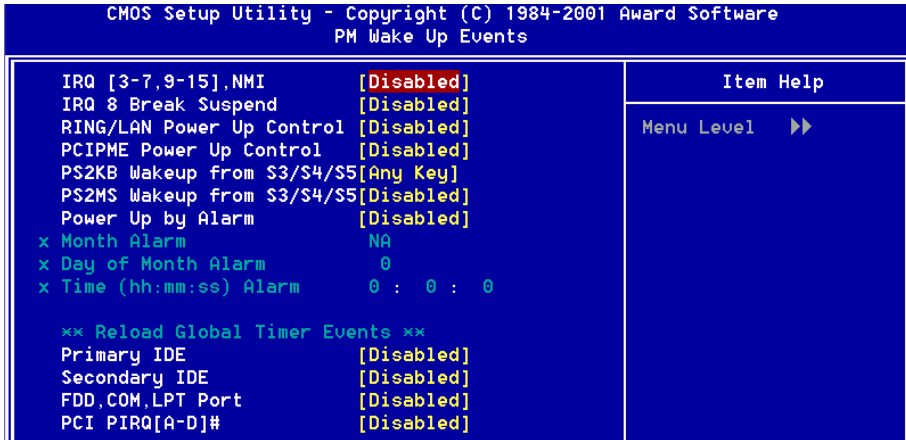
Power State Resume Control

The system will stay of or power on after a power interrupt. The default is Always Off.

Always Off: System always stay off after a power interrupt.

Always On: System always power on after a power interrupt.

Keep Pre-State: Stay off or power on depend on system safe shutdown or power fail.



▶ **PM Wake Up Events**

IRQ[3-7,9-15], NMI

Allows you to set system to monitor IRQ[3-7,9-15], NMI for activity to awaken system form a power management mode.

The choices: Enabled, Disabled.

IRQ 8 Break Suspend

You can Enable or Disable monitoring of IRQ8 (the Real Time Clock) so it does not awaken the system from Suspend mode.

The choices: Enabled, Disabled.

Ring/LAN Power Up Control

This option is used to set the remote ring in and Wake on LAN (WOL) features.

The choices: Enabled, Disabled.

BIOS

PCIPME Power Up Control

An input signal from PME on the PCI card awakens the system from a soft off state.

The choices: Enabled, Disabled.

PS2KB Wakeup from S3/S4/S5

This item allows you to select Any Key, Hot Key or Password to wake-up the system by PS2 Keyboard. When select Password, please press ENTER key to change password max 8 numbers.

Note: Hot key is Ctrl + Alt + Backspace

PS2MS Wakeup from S3/S4/S5

This item allows you to use PS/2 Mouse to power on.

Power Up by Alarm

This option allows you to have the system turn on at a present time each day or on a certain day.

The choices: Disabled, Enabled.

**** PM Events ****

PM events are I/O events whose occurrence can prevent the system from entering a power saving mode or can awaken the system from such a mode. In effect, the system remains alert for anything which occurs to a device which is configured as *Enabled*, even when the system is in a power down mode.

Primary IDE

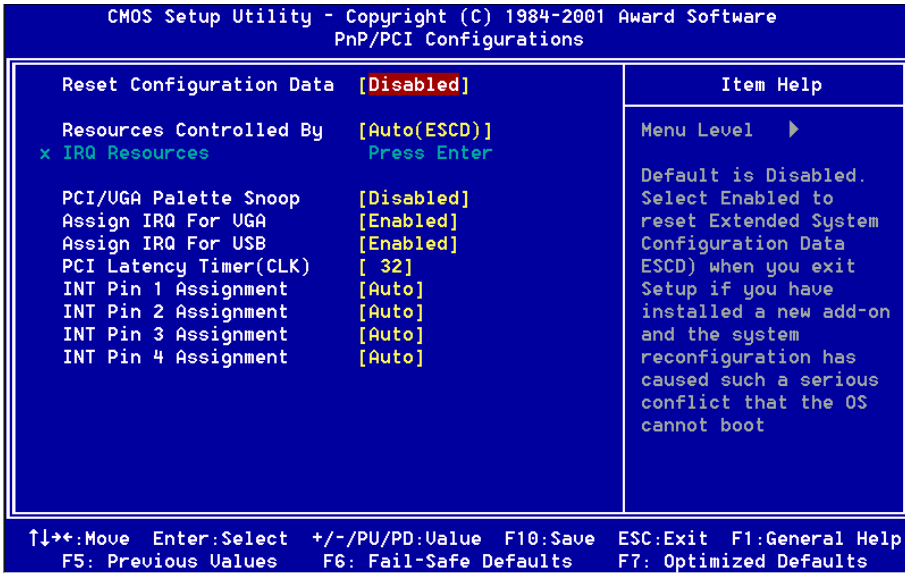
Secondary IDE

FDD, COM, LPT Port

PCI PIRQ[A-D] #

4-6 PnP/PCI Configuration Setup

This section describes configuring the PCI bus system. PCI, or Personal Computer Interconnect, is a system which allows I/O devices to operate at speeds nearing the speed the CPU itself uses when communicating with its own special components. This section covers some very technical items and it is strongly recommended that only experienced users should make any changes to the default settings.



Reset Configuration Data

Normally, you leave this field Disabled. Select Enabled to reset Extended System Configuration Data (ESCD) when you exit Setup if you have installed a new add-on and the system reconfiguration has caused such a serious conflict that the operating system can not boot.

The choices: Enabled, Disabled .

Resource controlled by

The Award Plug and Play BIOS has the capacity to automatically configure all of the boot and Plug and Play compatible devices. However, this capability means absolutely nothing unless you are using a Plug and Play operating system such as Windows95.

The choices: Auto(ESCD), Manual.

BIOS

PCI/VGA Palette Snoop

Leave this field at *Disabled*.

Choices are Enabled, Disabled.

Assign IRQ For VGA/USB

This item allows BIOS to assign whether IRQ is with VGA/USB or not. If you have not connect the VGA/USB device. Can release the IRQ for other device. The default is Enabled.

Enabled: Provides IRQ for VGA/USB device.

Disabled: Release IRQ for other device.

PCI Latency Timer (CLK)

The latency timer defines the minimum amount of time, in PCI clock cycles, that the bus master can retain the ownership of the bus.

The Choices: 0-255.

INT Pin1 to Pin4 Assignment

These settings allow the user to specify what IRQ will be assigned to PCI devices in the chosen slot. Options available: Auto,3,4,5,7,9,10,11,12,14 & 15. The defaults are Auto.

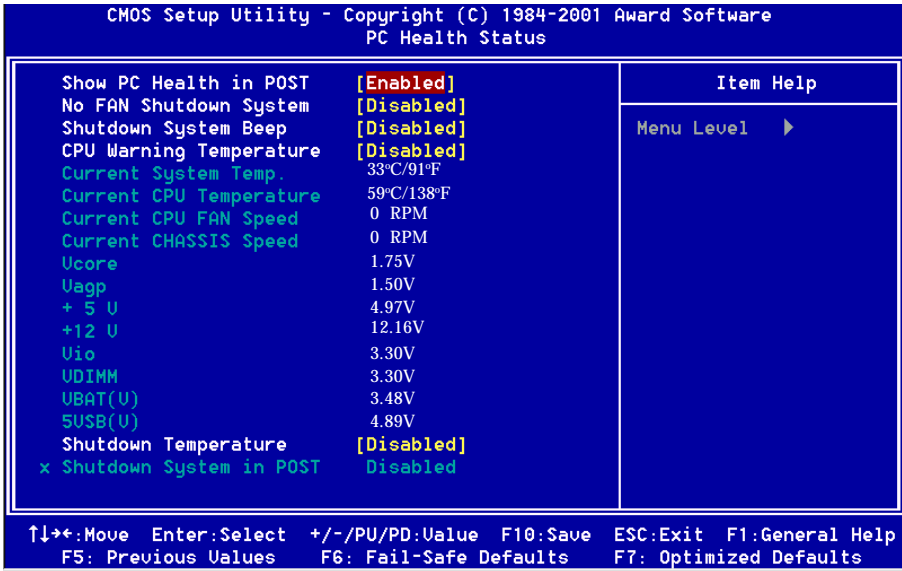
Interrupt request are shared as shown the table below:

	INT A	INT B	INT C	INT D
PCI 1		V		
PCI 2			V	
PCI 3				V
LAN (Optional)				V
AGP Slot	V			
AC97/MC97			V	
Onboard USB1				V
Onboard USB2				V

IMPORTANT!

If using PCI cards on shared slots, make sure that the drivers support "Shared IRQ" or that the cards don't need IRQ assignments. Conflicts will arise between the two PCI groups that will make the system unstable or cards inoperable.

4-7 PC Health Status



Show PC Health in Post

When enable this function, you can see PC Health in Post screen.

The choices: Enabled, Disabled.

No FAN Shutdown System

When enable this function, the CPU FAN will be checked in POST. If the CPU FAN can't be found, the system will shutdown automatically.

The choices: Enabled, Disabled.

Shutdown System Beep

When enable this function, there will be an warning beep before “No FAN Shutdown System” or “Shutdown System In POST” function active.

The choices: Enabled, Disabled.

CPU Warning Temperature

This is the temperature that the computer will respond to an overheating CPU. The default is Disabled.

Enabled: Temperature is monitored on the CPU.

Disabled: This feature is turned off.

BIOS

Current CPU/System Temperature

This is the current temperature of the CPU/System.

Current CPU/CHASSIS Fan Speed

The current CPU/CHASSIS fan speed in RPMs.

Vcore

The voltage level of the Vcore.

Vagp

The voltage level of Power supplied to AGP card.

Vio

The voltage level of the Vio.

VDIMM

The voltage level of the DRAM.

+5V, +12V, VBAT(V), 5VSB(V)

The voltage level of the switch power supply.

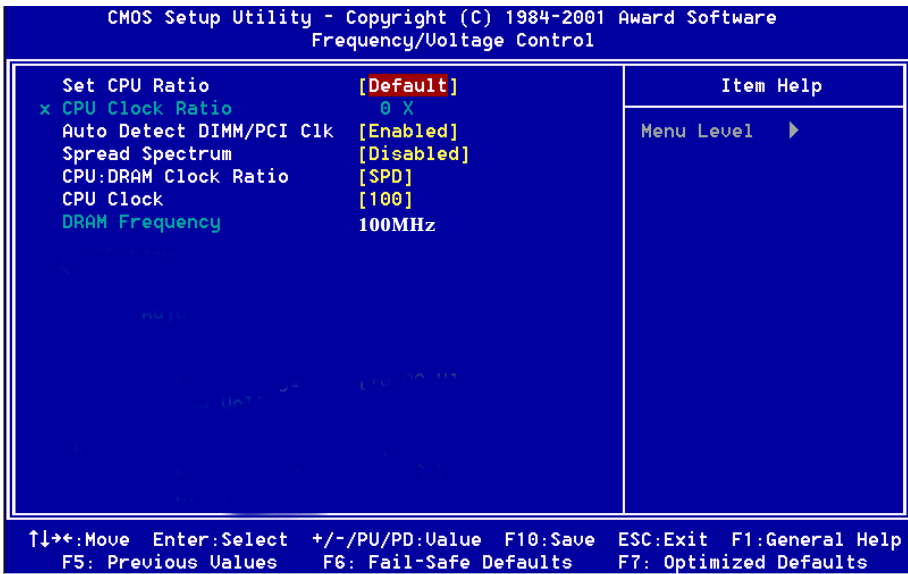
Shutdown Temperature

This is the temperature that the computer will turn off the power to combat the effects of an overheating system. (requires ACPI to be enabled in Power Management BIOS and ACPI compliant operating system.) The default is Disabled. Options available are 60°C/140°F to 75°C/167°F in increments of 5°C.

Shutdown System in Post

When enable this function, the CPU temperature will be checked in POST. If the CPU temperature is over range, the system will shutdown automatically. The choices: Enabled, Disabled.

4-8 Frequency/Voltage Control



Set CPU Ratio

This item allows you to select the CPU ratio by “CPU Default” or “Manual” item. The default is “CPU Default”.

CPU Clock Ratio

When set to CPU Ratio by “Manual”, this item allows you to adjust CPU Ratio by step.

Auto Detect DIMM/PCI Clk

This item allows you to enable or disable auto detect DIMM/PCI Clock. The choices: Enabled, Disabled.

Spread Spectrum

This item allows you to enable or disable the spread Spectrum. The choices: Enabled, Disabled.

CPU:DRAM Clock Ratio

This item allows you to select CPU and DRAM clock ratio. The choices: SPD, 1:1, 3:4, 3:5; 4:3, 1:1, 4:5; 1:1, 5:4.

Note: When the FSB is between 100 to 119MHz, the options will display 1:1, 3:4, 3:5, SPD.

When the FSB is between 120 to 160MHz, the options will display 4:3, 1:1, 4:5, SPD.

When the FSB is between 161 to 200MHz, the options will display 1:1, 5:4, SPD.

BIOS

CPU Clock

The mainboard is designed to set the CPU Clock via BIOS. This item allows you to adjust CPU clock 1MHz by step. The default speed depends on what CPU was installed.

Note: Overclocking failure will cause system No display problem. At this moment, please press “Insert” key to back to the initial or default setting to boot up your system.

DRAM Frequency

DRAM frequency information. (No option/Display only).

4-9 Defaults Menu

Selecting “Defaults” from the main menu shows you two options which are described below

Load Fail-Safe Defaults

When you press <Enter> on this item you get a confirmation dialog box with a message similar to:

Load Fail-Safe Defaults (Y/N) ? N

Pressing ‘Y’ loads the BIOS default values for the most stable, minimal-performance system operations.

Load Optimized Defaults

When you press <Enter> on this item you get a confirmation dialog box with a message similar to:

Load Optimized Defaults (Y/N) ? N

Pressing ‘Y’ loads the default values that are factory settings for optimal performance system operations.

4-10 Set Supervisor/User Password

You can set either supervisor or user password, or both of them. The differences between are:

supervisor password : can enter and change the options of the setup menus.

user password : just can only enter but do not have the right to change the options of the setup menus. When you select this function, the following message will appear at the center of the screen to assist you in creating a password.

ENTER PASSWORD:

Type the password, up to eight characters in length, and press <Enter>. The password typed now will clear any previously entered password from CMOS memory. You will be asked to confirm the password. Type the password again and press <Enter>. You may also press <Esc> to abort the selection and not enter a password. To disable a password, just press <Enter> when you are prompted to enter the password. A message will confirm the password will be disabled. Once the password is disabled, the system will boot and you can enter Setup freely.

PASSWORD DISABLED.

When a password has been enabled, you will be prompted to enter it every time you try to enter Setup. This prevents an unauthorized person from changing any part of your system configuration.

Additionally, when a password is enabled, you can also require the BIOS to request a password every time your system is rebooted. This would prevent unauthorized use of your computer.

You determine when the password is required within the BIOS Features Setup Menu and its Security option. If the Security option is set to “System”, the password will be required both at boot and at entry to Setup. If set to “Setup”, prompting only occurs when trying to enter Setup.

4-11 Exit Selecting

Save & Exit Setup

Pressing <Enter> on this item asks for confirmation:

Save to CMOS and EXIT (Y/N)? Y

Pressing “Y” stores the selections made in the menus in CMOS – a special section of memory that stays on after you turn your system off. The next time you boot your computer, the BIOS configures your system according to the Setup selections stored in CMOS. After saving the values the system is restarted again.

Exit Without Saving

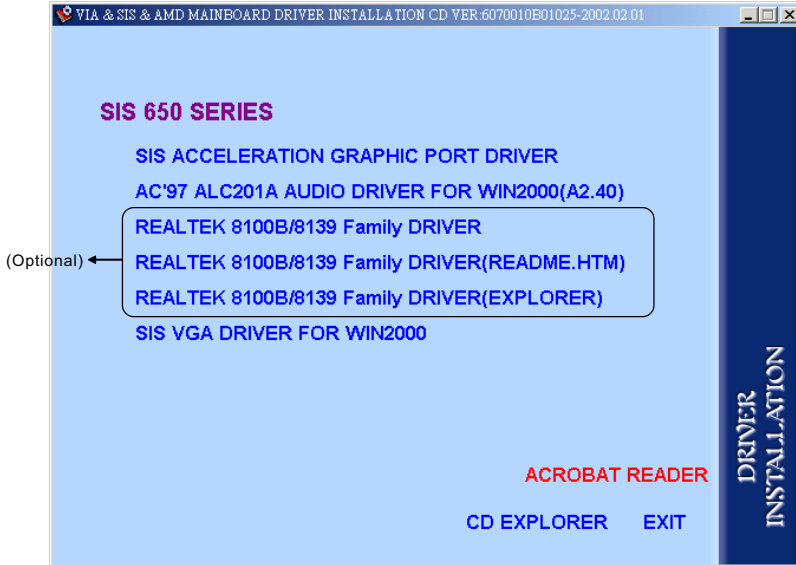
Pressing <Enter> on this item asks for confirmation:

Quit without saving (Y/N)? Y

This allows you to exit Setup without storing in CMOS any change. The previous selections remain in effect. This exits the Setup utility and restarts your computer.

Section 5 Driver Installation

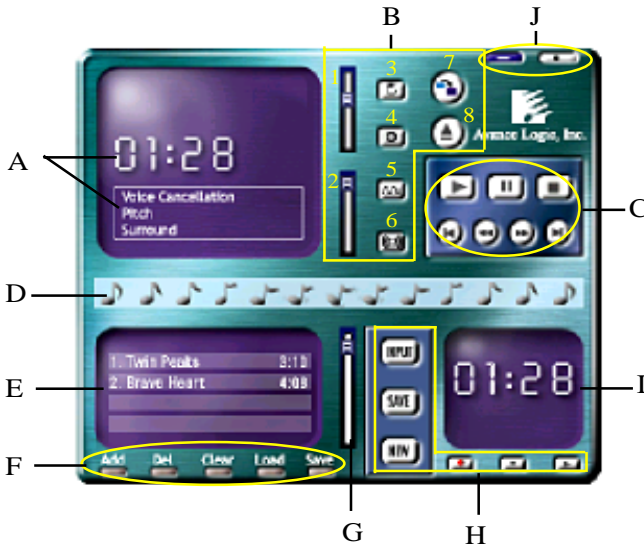
Easy Driver Installation



Insert the bundled autorun driver CD-disk.

- Step 1 :** Click the “SIS ACCELERATION GRAPHIC PORT DRIVER” to install all components recommended.
- Step 2 :** Click the “AC’97 ALC201A AUDIO DRIVER” to install audio.
- Step 3 :** Click the “REALTEK 8100B/8139 FAMILY DRIVER” to install audio. (Optional).
- Step 4 :** If you need to use On Die VGA Function, Click the “SIS VGA DRIVER” to install VGA.

A-1 Avance® Media Player User's Guide

Avance® Media Player Platform**Functional Descriptions****A. Playback Windows Display**

Playback windows displays the following mode information:

1. Playback Time Display
2. Voice Cancellation Mode Display
3. Pitch Mode Display
4. Surround Sound Mode Display

B. Playback Function Controls

There are 8 selectable functions for the playback:

1. Volume control High/Low Adjustment Bar.
2. Pitch control 4-step High/Low Adjustment Bar.

Appendix

- 3. Repeat mode Choice of Repeat, All Repeat, Random or No Repeat Mode.
- 4. Mute Mute On/Off Mode select.
- 5. Voice cancellation Voice Cancellation On/Off Mode select for Karaoke.
- 6. Surround mode A total of 26 Surround Sound mode select as shown in the table below.

Surround mode	Surround mode
Generic	Stone corridor
Padded	Alley
Room	Forrest
Bathroom	City
Living room	Mountain
Stone	Quarry
Auditorium	Plain
Concert	Parking lot
Cave	Sewer pipe
Arena	Under water
Hangar	Drug
Carpet	Dizzy
Hallway	Psychological

- 7. Skin change Media Player Skin Type select.
- 8. Open Open file formats including MP3, CDA, MDI, WAV & WMA support.

C. Playback Controls

The playback controls include “Play”, “Pause”, “Stop”, “Previous”, “Backward”, “Forward”, & “Next”.

D. Seeking bar

Display Animated Playback Status

E. Title/Play List Windows

Display Currently Selected Title(s)

F. Title/Play List Edit Controls

There title/play list controls include “Add”, “Del”, “Clear”, “Load”, & “Store”.

1. Add Add to the Title/Play List.
2. Del Remove form the Title/Play List.
3. Clear Clear the Title/Play Lost.
4. Load Load Title/Play List.
5. Store Save Title/Play List.

G. Title/Play List Scroll bar

Scroll Up/Down the Title/Play List.

H. Recording Function Controls

The recording function controls include “Input”, “Save:”, “New”, “Rec”, “Stop”, & “Play”.

1. Input Input soruce select.
2. Save Save to file.
3. New Open new file & select format includes Sampling Rate, Sampling bit, Mono or Stereo.
4. Rec Start Rec.
5. Stop Stop Rec.
6. Play Playback Rec file.

I. REC/Playback Time Display

Displays REC/Playback Time.

J. Platform Display Panel Controls

The platform display panel control include “Minimize” & “Close”.

1. Minimize Minimize Platform Display Panel.
2. Close Close/Exit Platform Display Panel.

B-1 Update Your System BIOS

Download the xxxxx.EXE file corresponding to your model from our website to an empty directory on your hard disk or floppy. Run the downloaded xxxxx.EXE file and it will self extract. Copy these extracted files to a bootable DOS floppy disk.

Note: The DOS floppy disk should contain NO device drivers or other programs.

1. Type "A:\AWDFLASH and press <Enter> Key.
2. You will see the following setup on screen.
3. Please key in the xxxxx.bin BIOS file name.

```
FLASH MEMORY WRITER V7.88
(C)Award Software 2000 All Rights Reserved

For xxxx-W83627-6A69LPA9C-0  DATE: 05/11/2000
Flash Type -
File Name to Program : _____

Error Message:
```

4. If you want to save the previous BIOS data to the diskette, please key in [Y], otherwise please key in [N].

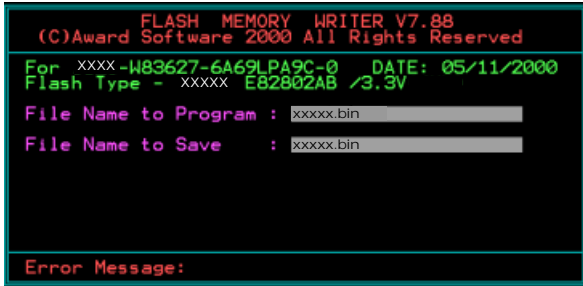
```
FLASH MEMORY WRITER V7.88
(C)Award Software 2000 All Rights Reserved

For xxxx-W83627-6A69LPA9C-0  DATE: 05/11/2000
Flash Type - xxxxx E82802AB /3.3V
File Name to Program : xxxxx.bin

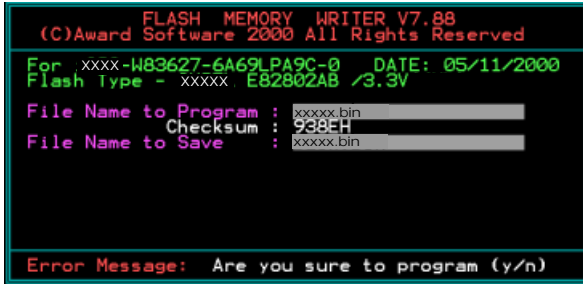
Error Message: Do You Want To Save Bios (Y/N)
```

Appendix

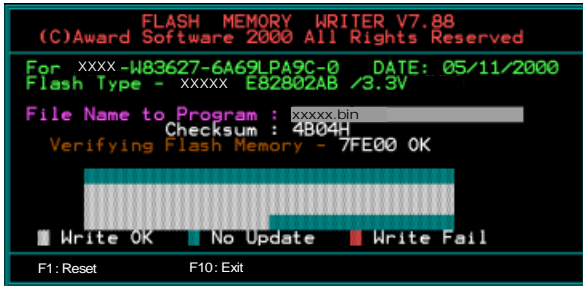
5. Key in File Name to save previous BIOS to file.



6. Are you sure to program (y/n), please key in [Y] to start the programming.

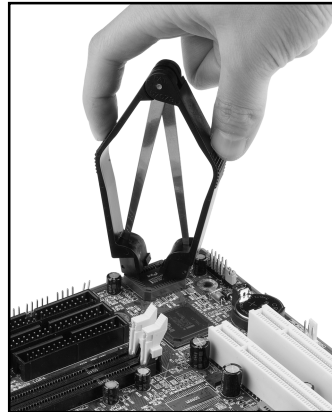
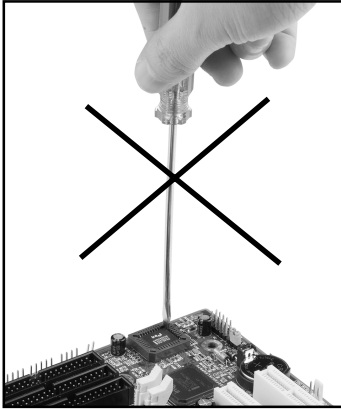


7. The programming is finished.



C-1 EEPROM BIOS Remover

Do not remove the BIOS chip, unless instructed by a technician and only with a PLCC IC extractor tool.



The BIOS socket may be damaged if using an improper method to replace the BIOS chip.

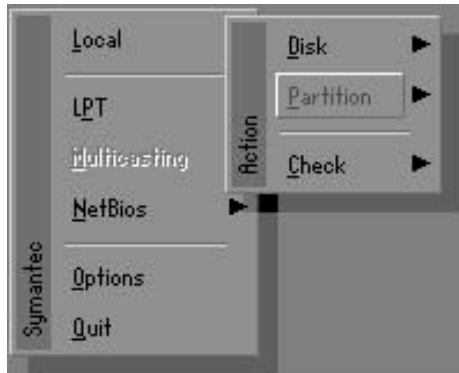
D-1 GHOST 5.1/6.03 Quick User's Guide (Optional)

Installation is very easy. You only need to copy the **Ghost5** folder or **Ghost.exe** to your hard disk.

The current market version is for single **Client**, so the LPT and NetBios portions will not be explained further.

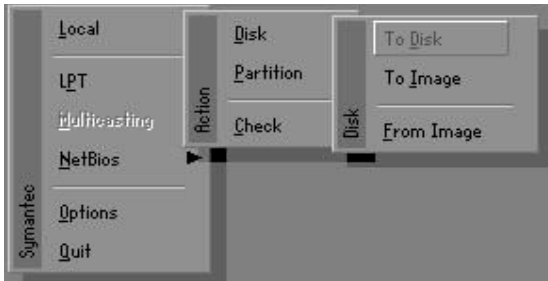
Description of Menus

Ghost clones and backs up **Disk** and **Partition**.



In which **Disk** indicates hard disk options
Partition indicates partition options
Check indicates check options

Disk



Appendix

There are 3 hard disk functions:

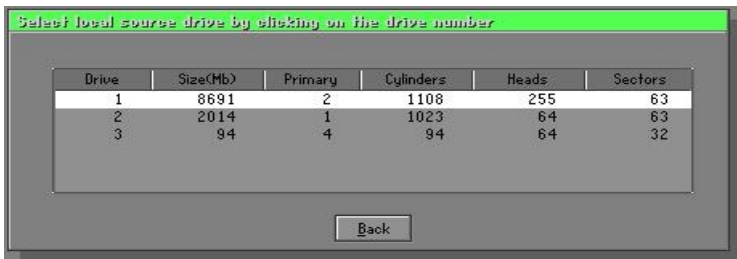
1. Disk To Disk (disk cloning)
2. Disk To Image (disk backup)
3. Disk From Image (restore backup)

Important!

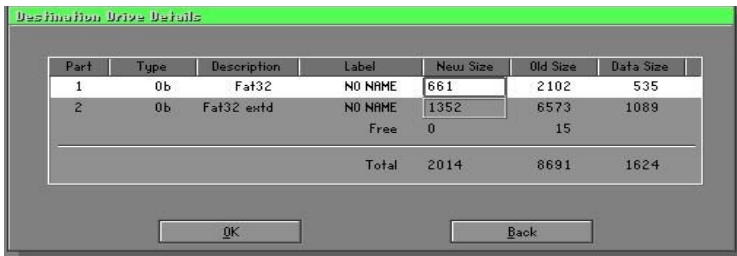
1. To use this function, the system must have at least 2 disks. Press the **Tab** key to move the cursor.
2. When restoring to a destination disk, all data in that disk will be completely destroyed.

Disk To Disk (Disk Cloning)

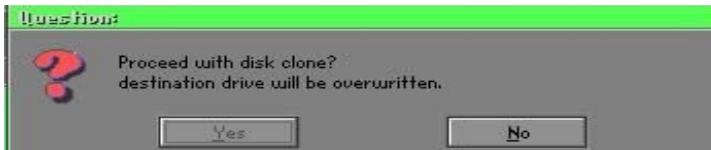
1. Select the location of the **Source** drive.
2. Select the location of the **Destination** drive.



3. When cloning a disk or restoring the backup, set the required partition size as shown in the following figure.

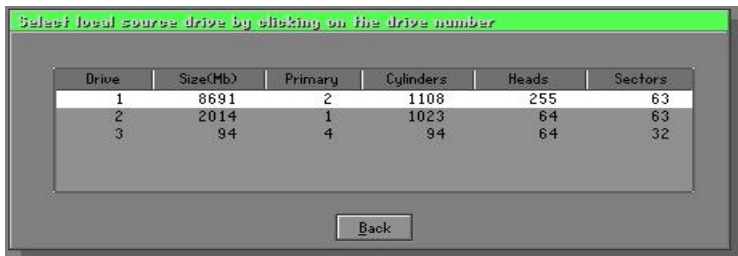


- Click OK to display the following confirmation screen. Select **Yes** to start.

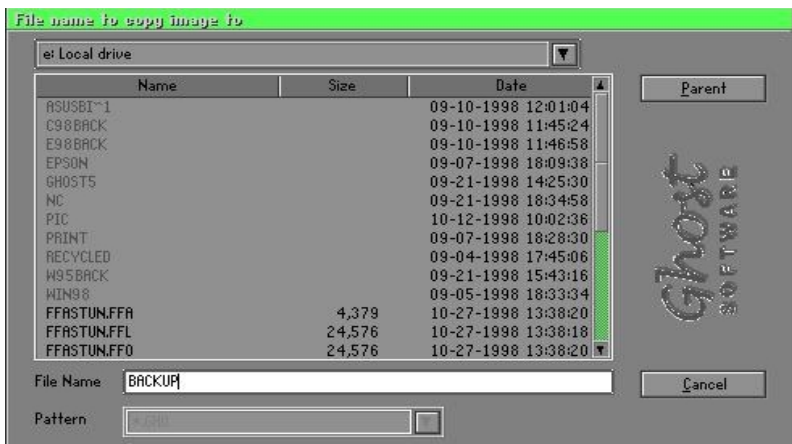


Disk To Image (Disk Backup)

- Select the location of the Source drive.



- Select the location for storing the backup file.



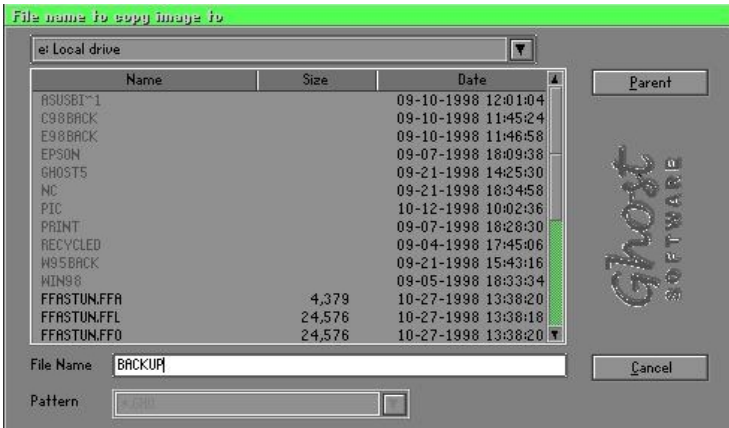
Appendix

- Click **OK** to display the following confirmation screen. Select **Yes** to start.

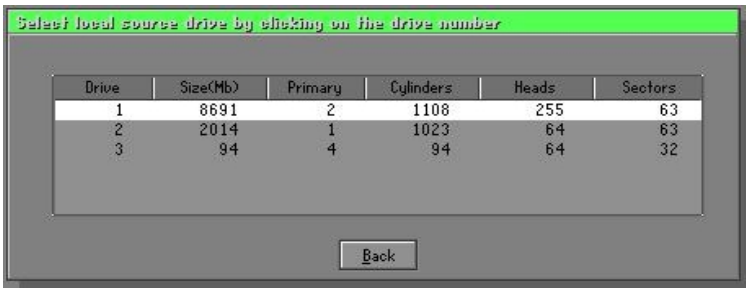


Disk From Image (Restore Backup)

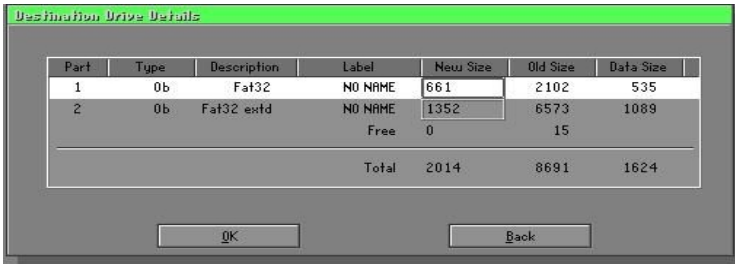
- Select the Restore file.



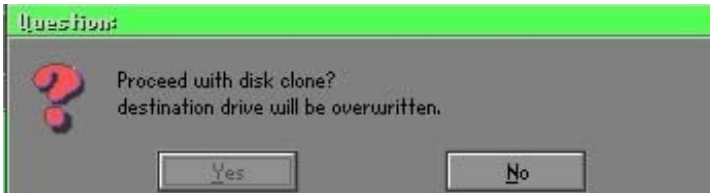
- Select the **Destination** drive of the disk to be restored.



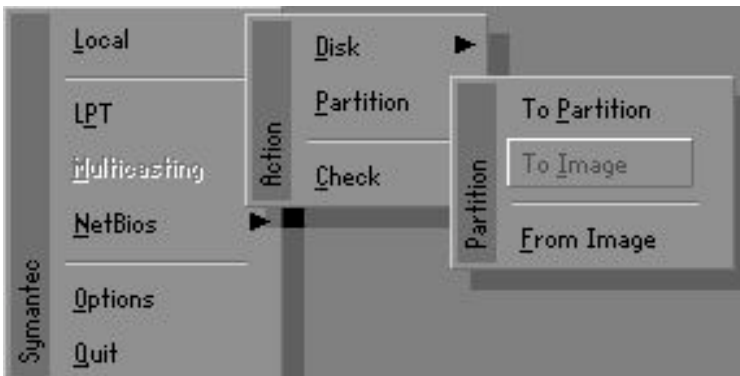
- When restoring disk backup, set the required partition size as shown in the following figure.



- Click **OK** to display the following confirmation screen. Select **Yes** to start.



Partition



Appendix

There are 3 partition functions:

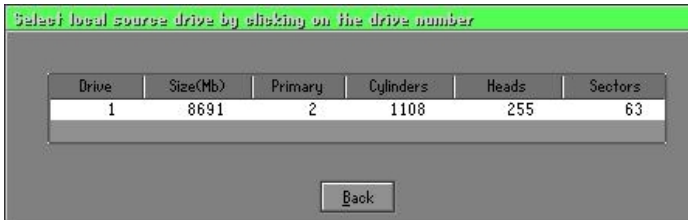
1. **Partition To Partition** (partition cloning)
2. **Partition To Image** (partition backup)
3. **Partition From Image** (restore partition)

Partition To Partition (Partition Cloning)

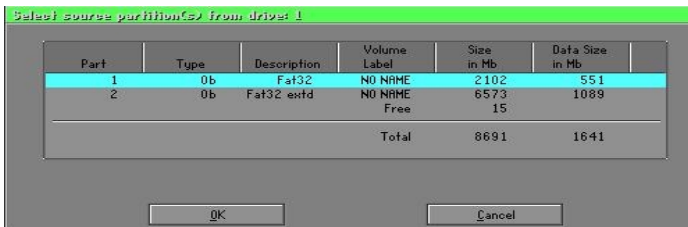
The basic unit for partition cloning is a partition. Refer to disk cloning for the operation method.

Partition To Image (Partition Backup)

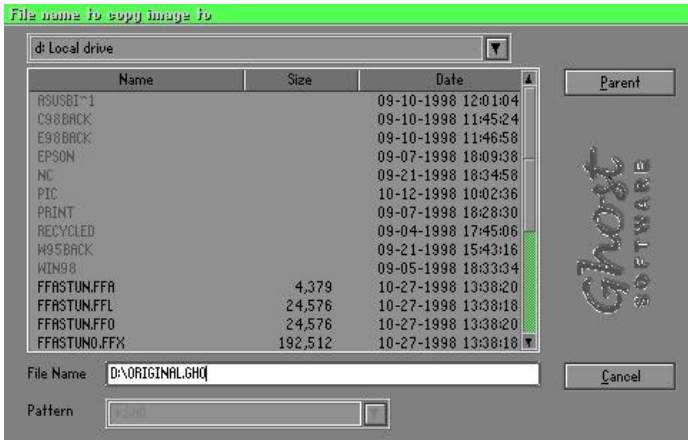
1. Select the disk to be backed up.



2. Select the first partition to be backed up. This is usually where the operating system and programs are stored.



3. Select the path and file name for storing the backup file.

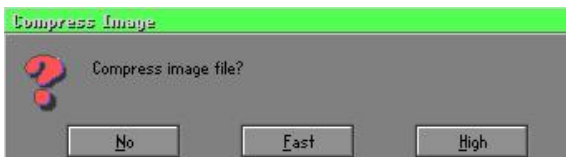


4. Is the file compressed? There are 3 options:

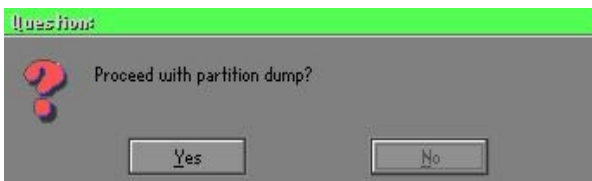
(1) No: do not compress data during backup

(2) Fast: Small volume compression

(3) High: high ratio compression. File can be compressed to its minimum, but this requires longer execution time.



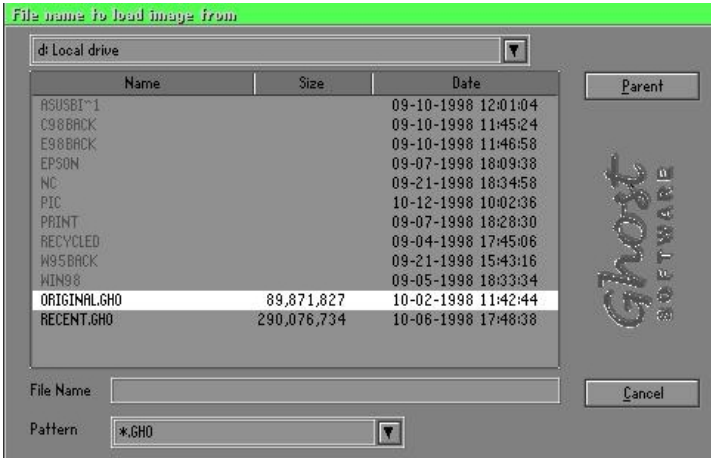
5. During confirmation, select Yes to start performing backup.



Appendix

Partition From Image (Restore Partition)

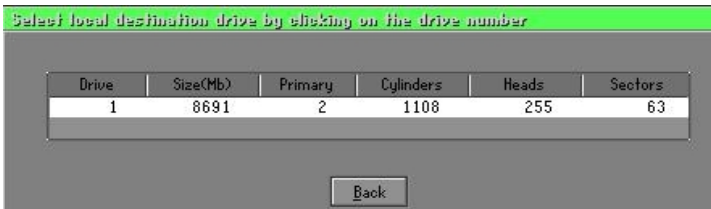
1. Select the backup file to be restored.



2. Select the source partition.



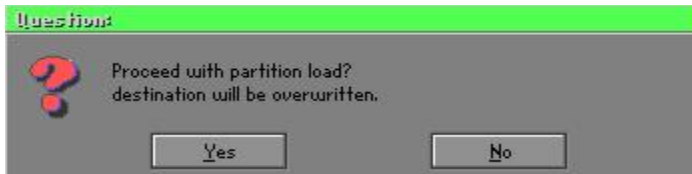
3. Select the disk to be restored.



4. Select the partition to be restored.



5. Select Yes to start restoring.



Check

This function checks the hard disk or backup file for backup or restoration error due to FAT or track error.

How to Reinstall Windows in 2 Minutes

This chapter teaches you how to set your computer properly and, if necessary, reinstall Windows in 2 minutes. Ghost can use different methods to complete this task. The following two sections explain the creation of the emergency Recover Floppy and Recover CD:

Emergency Recover Floppy

Divide a hard disk into two partitions. The first partition is for storing the operating system and application programs. The second partition is for backing up the operating system and data. The size of the partition can be set according to the backup requirements. For example, the **Windows** operating system needs 200MB of hard disk space, while the complete **Office** installation requires 360MB. The remaining space can be used to store other data.

After installing **Windows**, use **Ghost** to create a backup of the source system and store the file (Image file) in drive D. The file is named as **Original.gho**. Then, create a recover floppy disk containing:

- ◆ Bootable files (Command.com, Io.sys, and MSDOS.SYS)
- ◆ Config.sys (configuration setup file)
- ◆ Autoexec.bat (auto-execution batch file)
- ◆ Ghost.exe (Ghost execution file)

There are two ways to set the content of the recover floppy for restoration:

- (1) To load **Windows** automatically after booting, set the **Autoexec.bat** command as:

```
Ghost.exe clone, mode=pload, src=d:\original.gho:2,dst=1:1 -fx -sure -rb
```

Description: Runs the restore function automatically using the Image File. After execution, it exits Ghost and boots the system automatically.

Refer to the [Introducing Ghosts Functions].

- (2) After booting, the screen displays the Menu. Select Backup or Restore: Since the user may install other applications in the future, he/she may design **Autoexec.bat** as a Menu to back up or restore the user-defined Image file as follows:

Backup

Back up Windows and application programs as a file (Recent.gho). Command is:

```
Ghost -clone,mode=pdump,src=1:1,dst=d:\Recent.gho -fx -sure -rb
```

Restore

Restore types include [**General Windows**] and [**Windows and Application Programs**]. If you select [**General Windows**], the system is restored to the general **Windows** operation condition. The command is:

```
Ghost.exe -clone,mode=pload,src=d:\Original.gho,dst=1:1 -fx -sure -rb
```

If you select [**Windows and Application Programs**], the latest backup file (Recent.gho) is restored, skipping the installation and setup of application programs.

For description of relevant parameters, refer to [**Introducing Ghosts Functions**].

For more information about menu design, refer to Config.sys and Autoexec.bat under /Menu in the CD. You can also create a backup CD containing Ghost.exe and these two files.

Recover CD

In recent years, well-known computer manufacturers (such as IBM, Acer, Compaq, etc.) bundle Recover CDs with their computers to reduce the cost resulting from servicing, while at the same time increasing their market competitiveness.

The following is a simple guide to how to create a recover CD:

1. For extremely easy creation of the recover floppy disk, use the copy program for example "Easy CD Creator" (Note 2). First, create a recover floppy disk containing:

Bootable files (Command.com and Io.sys and MSDOS.SYS)

Config.sys (Configuration setup file)

Autoexec.bat (Auto-execution batch file)

Mscdex.exe (CD-Rom execution file)

Ghost.exe (Ghost execution file)

Oakcdrom.sys (ATAPI CD-ROM compatible driver)

The content of Config.sys is:

```
DEVICE=Oakcdrom.sys /d:idecd001
```

The content of Autoexec.bat includes:

```
MSCDEX.EXE /D:IDECD001 /L:Z
```

```
Ghost.exe clone,mode=load,src=z:\original.gho,dst=1 -sure -rb
```

2. Write the backup image file (original.gho) of the entire hard disk or partition into the recover CD. Use the Recover CD to boot up the system and restore the backup files automatically.

For description of relevant parameters, refer to **[Introducing Ghosts Functions]**.

Note: For more details regarding the creation program and method for creating the recover CD, please refer to the legal software and relevant operation manual.

Ghost Command Line Switches Reference

Ghost may be run in interactive or in batch mode. Batch mode is useful for automating installations for backups using Ghost. Most of the Ghost switches are used to assist with batch mode operation. To list switches from Ghost, type `ghost.exe -h`.

-clone

The full syntax for this switch is:

```
clone,MODE={copy|load|dump|pcopy|pload|pdump},SRC=
{drive|file|drive:partition|,DST={drive|file|drive:partition},SIZE{F|L|n=
{nnnnM|nnP|F|V}}
```

Clone using arguments. This is the most useful of the batch switches and has a series of arguments that define:

- a) MODE** This defines the type of clone command to be used:
- COPY** disk to disk copy
 - LOAD** file to disk load
 - DUMP** disk to file dump
 - PCOPY** partition to partition copy
 - PLOAD** file to partition load
 - PDUMP** partition to file dump
- b) SRC** This defines the source location for the operation:
- | Mode | Meaning: |
|---------------|---|
| COPY/ | |
| DUMP | Source drive (e.g, 1 for drive one) |
| LOAD | Disk image filename or device (e.g, g:\Images\system2.img) |
| PCOPY/ | |
| PDUMP | Source partition e.g, 1:2 indicates the second partition on drive one. |
| PLOAD | Partition image filename or device and partition number. Example: g:\images\disk1.img:2 indicates the second partition in the Image file. |

Appendix

- | c) DST | This defines the destination location for the operation: |
|---------------|---|
| Mode | Meaning |
| COPY/ | |
| LOAD | Destination drive (e.g, 2 for drive two) |
| DUMP | Disk image filename or device,(e.g, g:\images\system2.img) |
| PCOPY/ | |
| PLOAD | Destination partition,(e.g, 2:2 indicates the second partition on drive two). |
| PDUMP | Partition image filename (e.g, g:\images\part1.img). |
- d) SZEy** Used to set the size of the destination partitions for either a disk load or disk copy operation.

Available y Options:

- F** Resizes the first partition to maximum size allowed based on file system t type.
- L** Resizes the last partition to maximum size allowed based on file system type.
- n=xxxxM** - indicates that the n?h destination partition is to have a size of xxxx Mb. (e.g, SZE2=800M indicates partition two is to have 800 mb.)
- n=mmP** - indicates that the n?h destination partition is to have a size of mm percent of the target disk.
- n=F** - indicates that the n?h destination partition is to remain fixed in size.
- n=V** - Indicates that the partition will be resized according to the following rules:
- Rule 1** - If the destination disk is larger than the original source disk, then the partition(s) will be expanded to have the maximum amount of space subject to the free space available and the partition type (e.g, FAT16 partitions will have a maximum size of 2048Mb.)
- Rule 2** - If the destination disk is smaller than the original source disk, (but still large enough to accommodate the data from the source disk), the free space left over after the

data space has been satisfied will be distributed between the destination partitions in proportion to the data usage in the source partitions. Some examples follow that will help illustrate:

- fx flag Exit. Normally when Ghost has finished copying a new system to a disk, it prompts the user to reboot with a press Ctrl-Alt-Del to reboot window. However, if Ghost is being run as part of a batch file it is sometimes useful to have it just exist back to the DOS prompt after completion so that further batch commands may be processed. -fx enables this. See -rb for another option on completing a clone.
- ia Image All. The Image All switch forces Ghost to do a sector by sector copy of all partitions. When copying a partition from a disk to an image file or to another disk, Ghost examines the source partition and decides whether to copy just the files and directory structure, or to do an image (sector by sector) copy. If it understands the internal format of the partition it defaults to copying the files and directory structure. Generally this is the best option, but occasionally if a disk has been set up with special hidden security files that are in specific positions on the partition, the only way to reproduce them accurately on the target partition is via an image or sector-by-sector copy.
- span enables spanning across volumes.
- split=x splits image file into 'x' Mb? Mb spans. Use this to create a 'forced' size volume set. For example, if you would like to force smaller image files from a 1024 Megabyte drive, you could specify 200 megabyte segments. For example, ghost.exe -split=200 will divide the image into 200 Megabyte segments.
- sure use the -sure switch in conjunction with -clone to avoid being prompted with the final 'Proceed with disk clone destination drive will be overwritten?' question. This command is useful in batch mode.

Appendix

Example 1:

To copy drive one to drive two on a PC, without final prompt if OK to proceed.

```
ghost.exe -clone,mode=copy,src=1,dst=2 -sure
```

Example 2:

To connect via NetBIOS to another PC running Ghost in slave mode, and dump a disk image of local drive two to the remote file c:\drive2.gho

```
ghost.exe -clone,mode=dump,src=2,dst=C:\drive2.gho -nbm
```

Note: The slave Ghost can be started with `ghost -nbs`

Example 3:

To copy drive one, second partition on a PC to drive two, first partition the same PC, without final prompt

```
ghost.exe -clone,mode=pcopy,src=1:2,dst=2:1 -sure
```

Example 4:

To dump the second partition of drive one to an image file on a mapped drive g:

```
ghost.exe -clone,mode=pdump,src=1:2,dst=g:\part2.gho
```

Example 5:

To load partition 2 from a two-partition image file on a mapped drive g: onto the second partition of the local disk

```
ghost -clone,mode=pload,src=g:\part2.gho:2,dst=1:2
```

Example 6:

To load drive 2 from an image file and resize the destination partitions into a 20:40 allocation

```
ghost.exe -clone,mode=load,src=g:\2prtdisk.gho,dst=2,size1=60P,  
size2=40P
```