

# Preface

## Copyright

This publication, including all photographs, illustrations and software, is protected under international copyright laws, with all rights reserved. Neither this manual, nor any of the material contained herein, may be reproduced without written consent of the author.

## Disclaimer

The information in this document is subject to change without notice. The manufacturer makes no representations or warranties with respect to the contents hereof and specifically disclaims any implied warranties of merchantability or fitness for any particular purpose. The manufacturer reserves the right to revise this publication and to make changes from time to time in the content hereof without obligation of the manufacturer to notify any person of such revision or changes.

## Trademark Recognition

Microsoft, MS-DOS and Windows are registered trademarks of Microsoft Corp.

MMX, Pentium, Pentium-II, Pentium-III, Celeron are registered trademarks of Intel Corporation.

Other product names used in this manual are the properties of their respective owners and are acknowledged.

## Federal Communications Commission (FCC)

This equipment has been tested and found to comply with the limits for a Class B digital device, pursuant to Part 15 of the FCC Rules. These limits are designed to provide reasonable protection against harmful interference in a residential installation. This equipment generates, uses, and can radiate radio frequency energy and, if not installed and used in accordance with the instructions, may cause harmful interference to radio communications. However, there is no guarantee that interference will not occur in a particular installation. If this equipment does cause harmful interference to radio or television reception, which can be determined by turning the equipment off and on, the user is encouraged to try to correct the interference by one or more of the following measures:

- Reorient or relocate the receiving antenna.
- Increase the separation between the equipment and the receiver.
- Connect the equipment onto an outlet on a circuit different from that to which the receiver is connected.
- Consult the dealer or an experienced radio/TV technician for help.

**Copyright ©2002  
All Rights Reserved  
MS9077C, V1.0  
I845PE/December 2002**

Shielded interconnect cables and a shielded AC power cable must be employed with this equipment to ensure compliance with the pertinent RF emission limits governing this device. Changes or modifications not expressly approved by the system's manufacturer could void the user's authority to operate the equipment.

### **Declaration of Conformity**

This device complies with part 15 of the FCC rules. Operation is subject to the following conditions:

- This device may not cause harmful interference, and
- This device must accept any interference received, including interference that may cause undesired operation.

### **Canadian Department of Communications**

This class B digital apparatus meets all requirements of the Canadian Interference-causing Equipment Regulations.

Cet appareil numérique de la classe B respecte toutes les exigences du Règlement sur le matériel brouilleur du Canada.

### **About the Manual**

The manual consists of the following:

<b>Chapter 1</b> <b>Introducing the Mainboard</b>	Describes features of the mainboard, and provides a shipping checklist.  Go to ⇒ page 1
<b>Chapter 2</b> <b>Installing the Mainboard</b>	Describes installation of mainboard components.  Go to ⇒ page 6
<b>Chapter 3</b> <b>Using BIOS</b>	Provides information on using the BIOS Setup Utility.  Go to ⇒ page 24
<b>Chapter 4</b> <b>Using the Mainboard Software</b>	Describes the mainboard software.  Go to ⇒ page 44

---

## TABLE OF CONTENTS

---

<b>Preface</b>	<b>i</b>
<b>Features and Packing List Translations</b>	<b>錯誤! 尚未定義書籤。</b>
<b>CHAPTER 1</b>	<b>1</b>
<b>Introducing the Mainboard</b>	<b>1</b>
<i>Introduction</i> .....	1
<i>Checklist</i> .....	1
Standard Items .....	1
<i>Features</i> .....	2
<i>Choosing a Computer Case</i> .....	3
<i>Mainboard Components</i> .....	4
<b>CHAPTER 2</b>	<b>6</b>
<b>Installing the Mainboard</b>	<b>6</b>
<i>Safety Precautions</i> .....	6
<i>Quick Guide</i> .....	6
<i>Installing the Mainboard in a Case</i> .....	7
<i>Checking Jumper Settings</i> .....	7
Setting Jumpers .....	7
Checking Jumper Settings.....	8
Jumper Settings .....	8
<i>Connecting Case Components</i> .....	9
Front Panel Connector.....	11
<i>Installing Hardware</i> .....	12
Installing the Processor.....	12
Installing Memory Modules .....	15
Installing a Hard Disk Drive/CD-ROM .....	16
Installing a Floppy Diskette Drive .....	17
Installing Add-on Cards .....	18
Connecting Optional Devices .....	20
External Connector Color Coding .....	23
<b>CHAPTER 3</b>	<b>24</b>
<b>Using BIOS</b>	<b>24</b>
<i>About the Setup Utility</i> .....	24

The Standard Configuration .....	24
Entering the Setup Utility.....	25
Updating the BIOS.....	25
<i>Using BIOS</i> .....	26
Standard CMOS Features .....	27
Advanced BIOS Features .....	29
Advanced Chipset Features .....	31
Integrated Peripherals .....	33
Power Management Setup.....	35
PNP/PCI Configurations .....	39
PC Health Status.....	40
Frequency/Voltage Control.....	41
Load Fail-Safe Defaults Option .....	42
Load Optimized Defaults Option .....	42
Set Supervisor/User Password.....	42
Save & Exit Setup Option .....	43
Exit Without Saving .....	43

## CHAPTER 4

錯誤! 尚未定義書籤。

### Using the Mainboard Software

錯誤! 尚未定義書籤。

<i>About the Software CD-ROM</i> .....	錯誤! 尚未定義書籤。
<i>Utility Software Reference</i> .....	45

## *Chapter 1*

# Introducing the Mainboard

---

### **Introduction**

Thank you for choosing the MS9077C mainboard. This mainboard is an ATX mainboard that uses a 4-layer printed circuit board and measures 304.8 mm x 190 mm. The mainboard is design to support the mPGA Socket 478 Intel P4 Willamette/Northwood processors and the new Intel 845PE chipset.

With system bus speeds up to 400/533MHz, this mainboard represents the most powerful desktop available today.

The mainboard incorporates the 845PE (GMCH) and 82801DB (ICH4) chipsets which combines advanced full set of I/O ports, such as dual channel IDE interfaces, a floppy controller, a high-speed serial port, an EPP/ECP capable bi-directional parallel port connector, four USB (Universal Serial Bus) connector, a PS/2 keyboard and mouse connectors. One AGP slot, five PCI local bus slots and one communication and networking riser (CNR) slot provide expandability for add-on peripheral cards.

In addition to its excellent performance and stability, the mainboard is highly suited for Internet and rich multimedia applications, including streaming video download and are ideal for workstations and high-end home use.

---

### **Checklist**

Compare the mainboard' s package contents with the following checklist:

#### **Standard Items**

- One mainboard
- One diskette drive ribbon cable
- One IDE drive ribbon cable
- One auto-install software support CD
- One I/O shield
- Retention module
- This user' s manual

## Features

<b>Processor</b>	<p>The mainboard uses a mPGA 478-pin socket that has the following features:</p> <ul style="list-style-type: none"> <li>• Accommodates Intel/P4 Willamette/Northwood 478-pins CPU</li> <li>• Supports a system bus (FSB) of 400/533 MHz</li> <li>• Supports 3.2GB/s / 4.2GB/s data bus bandwidth</li> </ul>
<b>Chipset</b>	<p>Intel' s innovative 845PE (GMCH) and 82801DB (ICH4) chipsets are based on an innovative and scalable architecture with proven reliability and performance. A few of the advanced features of the chipsets are:</p> <ul style="list-style-type: none"> <li>• Host interface controller supports 400/533 MHz front side (system) bus frequency</li> <li>• Support DDR-SDRAM at 266/333 MHz operation</li> <li>• AGTL+ Host Bus with Integrated Termination supporting 32-bits host addressing</li> <li>• 1.5V AGP interface with 4X SBA/data transfer and 2X/4X fast write capability</li> <li>• Supports 64/128/256/512Mb SDRAM technology</li> <li>• Supports AGP 2.0 including 1X/2X/4X AGP data transfers and 2X/4X fast write protocol</li> <li>• Supports 3D / 2D graphic</li> <li>• Supports six USB 2.0 ports for serial transfers at 480 Mbits/sec maximum</li> <li>• PCI to system memory data streaming up to 132 MB/sec</li> </ul> <p>Additional key features include support for an AC 97 link for audio and modem, hardware monitoring, and ACPI/OnNow power management.</p>
<b>Memory</b>	<p>The mainboard can accommodate 2.5V DDR SDRAM. It accommodates two unbuffered 2.5V 184 pin slots with a total maximum capacity of 2 GB.</p>
<b>AC' 97 Audio Codec</b>	<p>The AC' 97 Audio codec is compliant with the AC' 97 2.2 specification, and supports 18-bit ADC (Analog Digital Converter) and DAC (Digital Analog Converter) resolution as well as 18-bit stereo full-duplex codec with independent and variable sampling rates.</p>
<b>Expansion Options</b>	<p>The mainboard comes with the following expansion options:</p> <ul style="list-style-type: none"> <li>• Five 32-bit PCI slots</li> <li>• One 4xAGP slot (support 1.5V only); support ADD card</li> <li>• One Communications Network Riser (CNR) slot</li> <li>• Two IDE connectors which support four IDE channels and a floppy disk drive interface</li> <li>• One onboard LAN (optional) chip and LAN port on top of the USB port</li> </ul> <p>The mainboard supports Ultra DMA bus mastering with transfer rates of 33/66/100 MB/sec.</p>

<b>Integrated I/O</b>	<p>The mainboard has a full set of I/O ports and connectors:</p> <ul style="list-style-type: none"> <li>• Two PS/2 ports for mouse and keyboard</li> <li>• One serial port</li> <li>• One parallel port</li> <li>• Four USB ports</li> <li>• One LAN port (optional)</li> <li>• Audio jacks for microphone, line-in and line-out</li> </ul>
<b>Onboard LAN (optional)</b>	<p>The Realtek RTL8100B LAN chip is incorporated in the chipset providing the mainboard with 10/100Mbps fast Ethernet controller and integrated Ethernet PCI LAN capabilities.</p>
<b>BIOS Firmware</b>	<p>This mainboard uses Award BIOS that enables users to configure many system features including the following:</p> <ul style="list-style-type: none"> <li>• Power management</li> <li>• Wake-up alarms</li> <li>• CPU parameters and memory timing</li> <li>• CPU and memory timing</li> </ul> <p>The firmware can also be used to set parameters for different processor clock speeds.</p>

---

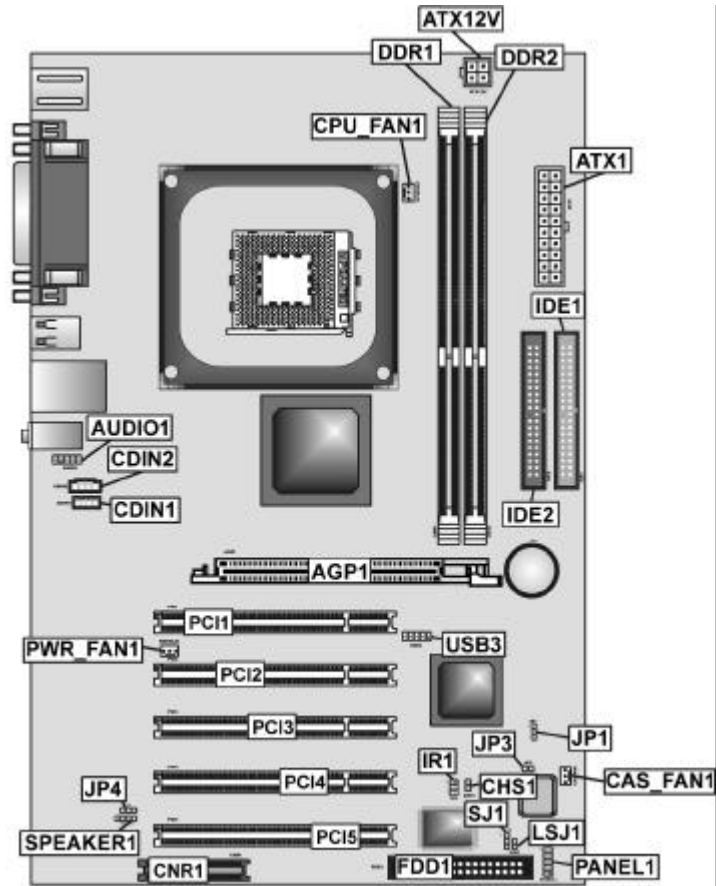
## Choosing a Computer Case

There are many types of computer cases on the market. The mainboard complies with the specifications for the ATX system case. Some features on the mainboard are implemented by cabling connectors on the mainboard to indicators and switches on the system case. Ensure that your case supports all the features required. The mainboard can support one or two floppy diskette drives and four enhanced IDE drives. Ensure that your case has sufficient power and space for all the drives that you intend to install.

Most cases have a choice of I/O templates in the rear panel. Make sure that the I/O template in the case matches the I/O ports installed on the rear edge of the mainboard.

This mainboard has an ATX form factor of 304.8 mm x 190 mm. Choose a case that accommodates this form factor.

## Mainboard Components





## Table of Mainboard Components

Label	Component
AGP1	Accelerated Graphics Port
ATX12V	Power connector
ATX1	Standard 20-pin ATX power connector
AUDIO1	Front panel MIC/Speaker Out header
BT1	Three volt realtime clock battery
CDIN1	Primary CD-in connector
CDIN2	Secondary CD-in connector
CAS_FAN1	Case fan connector
CHS1	Chassis Intrusion Detect
CNR1	Communications and Networking Riser slot
CPU_FAN1	Cooling fan for CPU
CPU Socket	CPU socket (mPGA478)
DDR1 ~ DDR2	Two 184-pin DDR sockets
FDD1	Floppy disk drive connector
IDE1	Primary IDE channel
IDE2	Secondary IDE channel
IR1	Infrared cable header
JP1	Clear CMOS jumper
JP3	BIOS flash protect jumper
JP4	Select onboard LAN
LED1	LED status indicator connector
LSJ1	Single-color LED header (reserved for OEM customer only)
PANEL1	Panel connector for case switches and LEDs
PCI1 ~ PCI5	Five 32-bit add-on card slots
PWR_FAN1	Power fan connector
SJ1	Single-color LED header
SPEAKER1	Speaker connector
USB3	Connector for front panel USB ports

This concludes Chapter 1. The next chapter explains how to install the mainboard.

## *Chapter 2*

# Installing the Mainboard

---

### Safety Precautions

Follow these safety precautions when installing the mainboard:

- Wear a grounding strap attached to a grounded device to avoid damage from static electricity.
- Discharge static electricity by touching the metal case of a safely grounded object before working on the mainboard.
- Leave components in the static-proof bags they came in.
- Hold all circuit boards by the edges. Do not bend circuit boards.

---

### Quick Guide

This Quick Guide suggests the steps you can take to assemble your system with the mainboards.

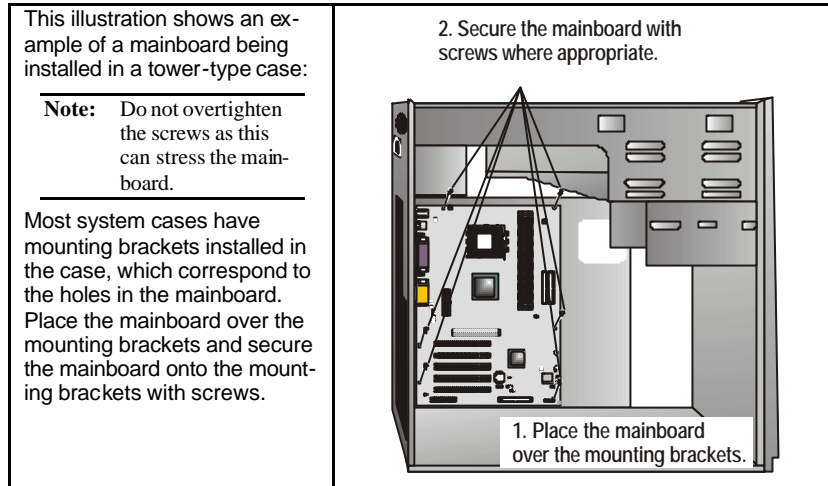
The following table provides a reference for installing specific components:

<b>Locating Mainboard Components</b>	Go to page 4
<b>Installing the Mainboard in a Case</b>	Go to page 7
<b>Setting Jumpers</b>	Go to page 7
<b>Installing Case Components</b>	Go to page 9
<b>Installing the CPU</b>	Go to page 12
<b>Installing Memory</b>	Go to page 15
<b>Installing an HDD and CD-ROM Drive</b>	Go to page 15
<b>Installing an FDD</b>	Go to page 17
<b>Installing Add-on Cards</b>	Go to page 18
<b>Connecting Options</b>	Go to page 20
<b>Connecting Peripheral (I/O) Devices</b>	Go to page 22

---

## Installing the Mainboard in a Case

Refer to the following illustration and instructions for installing the mainboard in a case:



Ensure that your case has an I/O template that supports the I/O ports and expansion slots on your mainboard.

---

## Checking Jumper Settings

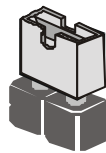
This section explains how to set jumpers for correct configuration of the mainboard.

### Setting Jumpers

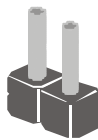
Use the mainboard jumpers to set system configuration options. Jumpers with more than one pin are numbered. When setting the jumpers, ensure that the jumper caps are placed on the correct pins.

The illustrations below show a 2-pin jumper. When the jumper cap is placed on both pins, the jumper is **SHORT**. If you remove the jumper cap, or place the jumper cap on just one pin, the jumper is **OPEN**.

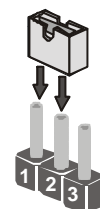
This illustration shows a 3-pin jumper. Pins 1 and 2 are **SHORT**.



Short

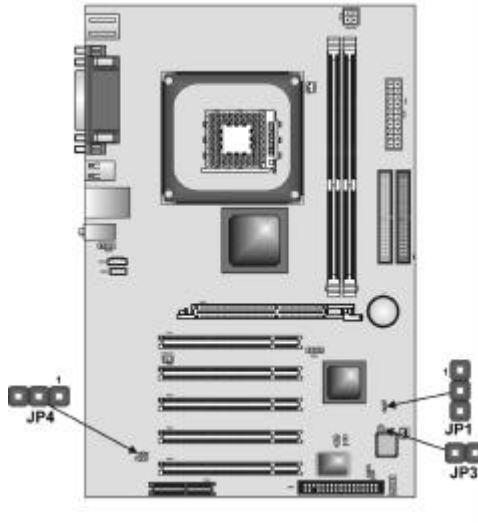


Open



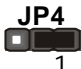


## Checking Jumper Settings

The following illustration shows the location of the mainboard jumpers. Pin 1 is labeled.



## Jumper Settings

Jumper	Type	Description	Setting
JP1	3-pin	Clear CMOS	1-2: Normal (default) 2-3: Clear CMOS 
JP3	2-pin	BIOS Flash Protect	Open: Flash (Default) Short: Flash Protect 
JP4	3-pin	LAN Select On Board	2-3: Disable 1-2: Enable 

**JP1 –** Enables you to clear the BIOS. Refer to the following instructions:

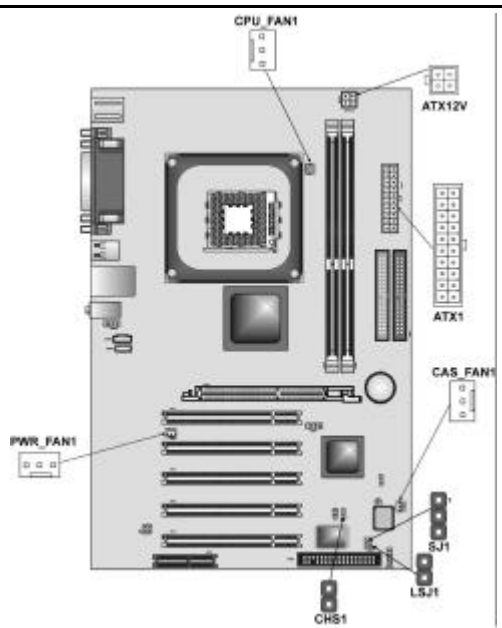
1. Turn the system off.
2. Remove all ATX power connectors (including ATX1 and ATX12V).
3. Short pins 2 and 3 on JP1.
4. Return the jumper to the normal setting.
5. Plug in all ATX power connectors.

- JP3 –** Enables you to prevent the BIOS from being updated (flashed). Open the jumper if you are going to update your BIOS. After updating the BIOS, short the jumper to protect the BIOS from being flashed.
- JP4 –** Use this jumper to enable or disable built-in LAN network adapter.

## Connecting Case Components

After you have installed the mainboard into a case, you can begin connecting the mainboard components. Refer to the following:

1. Connect the Pentium 4 processor auxiliary case power supply connector to **ATX12V**.
2. Connect the standard power supply connector to **ATX1**.
3. Connect the CPU cooling fan cable to **CPU\_FAN1**.
4. Connect the auxiliary power supply cooling fan connector to **PWR\_FAN1**.
5. Connect the case cooling fan connector to either **CAS\_FAN1**.
6. Connect the case speaker cable to **SPEAKER1**.
7. Connect the case switches and indicator to **PANEL1**.
8. Connect the case LED cable to **SJ1/LSJ1**.
9. If your case has a case open alarm cable, connect it to **CHS1**.



**Note:** When the system is heavily loaded, you should install, at a minimum, an ATX12V power supply with a 300W capacity.

### ATX12V: ATX 12V Power Connector

Pin	Signal Name
1	+12V
2	+12V
3	Ground
4	Ground

**ATX1: ATX 20-pin Power Connector**

Pin	Signal Name	Pin	Signal Name
1	+3.3V	11	+3.3V
2	+3.3V	12	-12V
3	Ground	13	Ground
4	+5V	14	PS ON#
5	Ground	15	Ground
6	+5V	16	Ground
7	Ground	17	Ground
8	PWRGD	18	-5V
9	+5VSB	19	+5V
10	+12V	20	+5V

**CPU\_FAN1/PWR\_FAN1/CAS\_FAN1: FAN Power Connectors**

Pin	Signal Name	Function
1	GND	System Ground
2	+12V	Power +12V
3	Sense	Sensor


**SPEAKER1: Internal speaker**

Pin	Signal Name
1	VCC
2	NC
3	Buzzer
4	Signal

**SJ1: Single-color LED header**

Pin	Signal Name
1	ACPI LED
2	ACPI LED
3	5VSB


**ACPI LED function:**

SJ1	S0	S1	S3	S4/S5
	Light	Blinking	Blinking	Dark

**LSJ1: Single color LED header (for OEM customers only)**

Pin	Signal Name
1	5VSB
2	SUSLED-Y

**ACPI LED function:**

LSJ1	S0	S1	S3	S4/S5
	Dark	Dark	Light	Dark

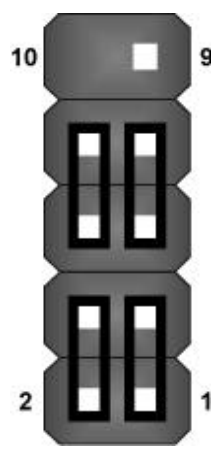
**CHS1: Chassis Intrusion Detect**

Pin 1-2	Function
Short	Case Open
Open	Case Close

## Front Panel Connector

The front panel connector (PANEL1) provides a standard set of switch and LED connectors commonly found on ATX or micro-ATX cases. Refer to the table below for information:

### PANEL1



Pin	Signal Name	Function
1	HD_LED_P	Hard disk LED pull up (330 ohm) to +5V
2	FP_PWR/SLP	MSG LED pull up (330 ohm) to +5V
3	HD_LED_N	Hard disk active LED
4	FP_PWR/SLP	MSG LED pull up (330 ohm) to +5V
5	RST_SW_N	Reset Switch low reference pull down (100 ohm) to GND
6	PWR_SW_P	Power Switch high reference pull up (10000 ohm) to +5V
7	RST_SW_P	Reset Switch high reference pull up (1000 ohm) to +5V
8	PWR_SW_N	Power Switch high reference pull down (100 ohm) to GND
9	RSVD	Reserved (do not use)
10	NC	No pin

#### Hard Drive Activity LED

Connecting pins 1 and 3 to a front panel mounted LED provides visual indication that data is being read from or written to the hard drive. For the LED to function properly, an IDE drive should be connected to the onboard IDE interface. The LED will also show activity for devices connected to the SCSI (hard drive activity LED) connector.

#### Power / Sleep / Message Waiting LED

Connecting pins 2 and 4 to a single- or dual-color, front panel mounted LED provides power on/off, sleep, and message waiting indication.

#### Reset Switch

Supporting the reset function requires connecting pins 5 and 7 to a momen-

tary-contact switch that is normally open. When the switch is closed, the board resets and runs POST.

### **Power Switch**

Supporting the power on/off function requires connecting pins 6 and 8 to a momentary-contact switch that is normally open. The switch should maintain contact for at least 50 ms to signal the power supply to switch on or off. The time requirement is due to internal debounce circuitry. After receiving a power on/off signal, at least two seconds elapses before the power supply recognizes another on/off signal.

---

## **Installing Hardware**

### **Installing the Processor**

**Caution:** When installing a CPU heatsink and cooling fan make sure that you **DO NOT** scratch the mainboard or any of the surface-mount resistors with the clip of the cooling fan. If the clip of the cooling fan scrapes across the mainboard, you may cause serious damage to the mainboard or its components.

On most mainboards, there are small surface-mount resistors near the processor socket, which may be damaged if the cooling fan is carelessly installed.

Avoid using cooling fans with sharp edges on the fan casing and the clips. Also, install the cooling fan in a well-lit work area so that you can clearly see the mainboard and processor socket.

### **Before installing the Processor**

This mainboard automatically determines the CPU clock frequency and system bus frequency for the processor. You may be able to change these settings by making changes to jumpers on the mainboard, or changing the settings in the system Setup Utility. We strongly recommend that you do not overclock processors or other components to run faster than their rated speed.

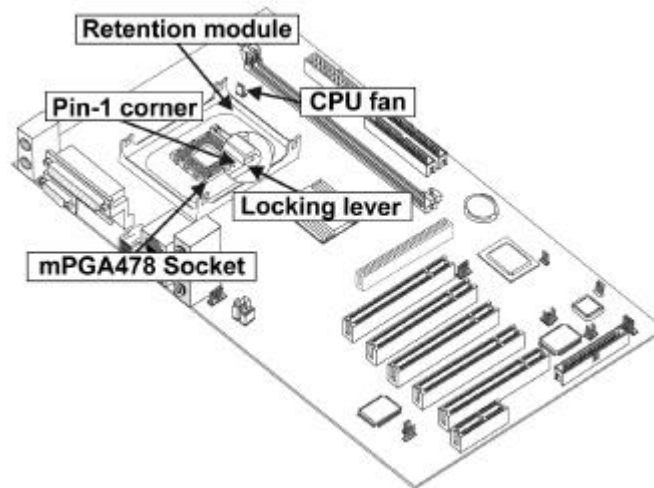
**Warning:** Overclocking components can adversely affect the reliability of the system and introduce errors into your system. Overclocking can permanently damage the mainboard by generating excess heat in components that are run beyond the rated limits.

This mainboard has an mPGA478 socket. When choosing a processor, consider the performance requirements of the system. Performance is based on the processor design, the clock speed and system bus frequency of the processor, and the quantity of internal cache memory and external cache memory.



## CPU Installation Procedure

The following illustration shows CPU installation components:



---

**Note:** The pin -1 corner is marked with an arrow ▼

---

Follow these instructions to install the Retention Module and CPU:

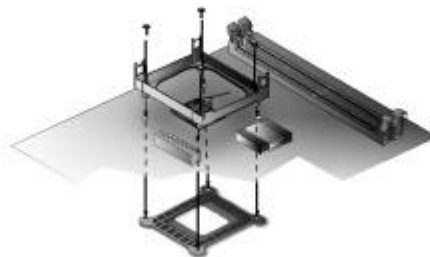
1. Remove the existing retention module (if applicable).

2. Position the backplate against the underside of the mainboard, secure the 4 screws firmly on the retention module.

---

**Note:** Do not over tighten the screws.

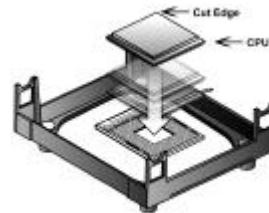
---



3. Install your CPU. Pull up the lever away from the socket and lift up to 90-degree angle.



4. Locate the CPU cut edge (the corner with the pinhole noticeably missing). Align and insert the CPU correctly.



5. Press the lever down.



6. Apply thermal grease on top of the CPU.

7. Put the CPU Fan down on the retention module and snap the four retention legs of the cooling fan into place.



8. Flip the levers over to lock the heat sink in place.

9. Connect the CPU Cooling Fan power cable to the CPUFAN1 connector. This completes the installation.



---

**Note:** CPU fan and heatsink installation procedures may vary with the type of CPU fan/heatsink supplied. The form and size of fan/heatsink may also vary.

---

## Installing Memory Modules

This mainboard accommodates two 184-pin 2.5V unbuffered Double Data Rate (DDR) SDRAM memory modules.

You must install at least one module in any of the two slots. Each module can be installed with 64 MB to 512 MB of memory. Total capacity is 2GB.



Do not remove any memory module from its antistatic packaging until you are ready to install it on the mainboard. Handle the modules only by their edges. Do not touch the components or metal parts. Always wear a grounding strap when you handle the modules.

### Installation Procedure

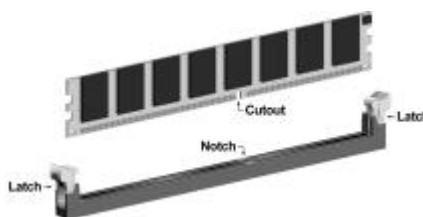
Refer to the following to install the memory modules.

1. This mainboard supports unbuffered DDR SDRAM only. Do not attempt to insert any other type of DDR SDRAM into the slots.

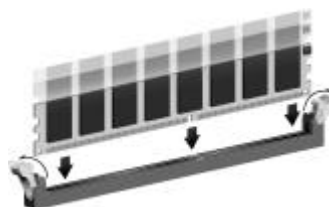


2. Push the latches on each side of the DIMM slot down.

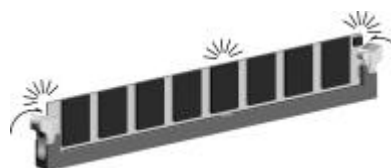
3. Align the memory module with the slot. The DIMM slots are keyed with notches and the DIMMs are keyed with cutouts so that they can only be installed correctly.



4. Check that the cutouts on the DIMM module edge connector match the notches in the DIMM slot.



5. Install the DIMM module into the slot and press it firmly down until it seats correctly. The slot latches are levered upwards and latch on to the edges of the DIMM.



6. Install any remaining DIMM modules.

## Installing a Hard Disk Drive/CD-ROM

This section describes how to install IDE devices such as a hard disk drive and a CD-ROM drive.

### About IDE Devices

Your mainboard has a primary and secondary IDE channel interface (IDE1 and IDE2). An IDE ribbon cable supporting two IDE devices is bundled with the mainboard.

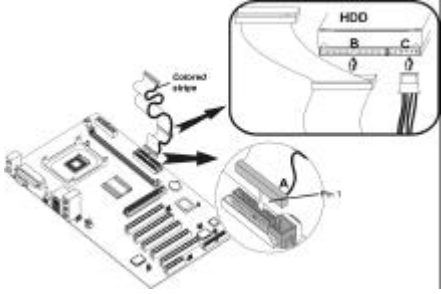
If you want to install more than two IDE devices, get a second IDE cable and you can add two more devices to the secondary IDE channel.

IDE devices have jumpers or switches that are used to set the IDE device as MASTER or SLAVE. Refer to the IDE device user's manual. When installing two IDE devices on one cable, ensure that one device is set to MASTER and the other device is set to SLAVE. The documentation of your IDE device explains how to do this.

### About UltraDMA

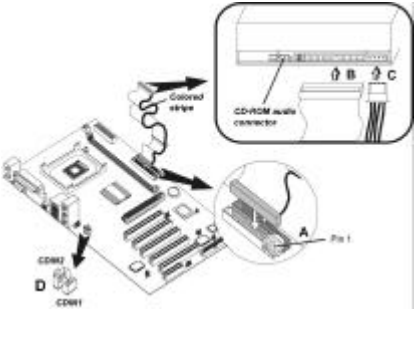
This mainboard supports UltraDMA 66/100. UDMA is a technology that accelerates the performance of devices in the IDE channel. To maximize performance, install IDE devices that support UDMA and use 80-pin IDE cables that support UDMA 66/100.

## Installing a Hard Disk Drive

1. Install the hard disk drive into the drive cage in your system case.	
2. Plug the IDE cable into IDE1 (A): <b>Note:</b> Ribbon cable connectors are usually keyed so that they can only be installed correctly on the device connector. If the connector is not keyed, make sure that you match the pin-1 side of the cable connector with the pin-1 side of the device connector. Each connector has the pin-1 side clearly marked. The pin-1 side of each ribbon cable is always marked with a colored stripe on the cable.	
3. Plug an IDE cable connector into the hard disk drive IDE connector (B). It doesn't matter which connector on the cable you use.	
4. Plug a power cable from the case power supply into the power connector on the hard disk drive (C).	

When you first start up your system, the BIOS should automatically detect your hard disk drive. If it doesn't, enter the Setup Utility and use the IDE Hard Disk Auto Detect feature to configure the hard disk drive that you have installed. See IDE HDD Auto-Detection on page 28 for more information.

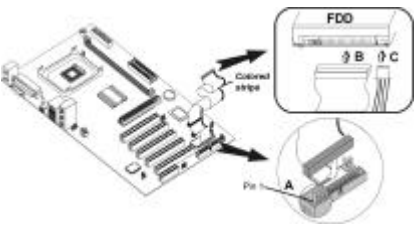
## Installing a CD-ROM/DVD Drive

<ol style="list-style-type: none"> <li>1. Install the CD-ROM/DVD drive into the drive cage in your system case.</li> <li>2. Plug the IDE cable into IDE1 (A). If you have already installed an HDD, use the other connector on the IDE cable. <b>Note:</b> Ribbon cable connectors are usually keyed so that they can only be installed correctly on the device connector. If the connector is not keyed, make sure that you match the pin-1 side of the cable connector with the pin-1 side of the device connector. Each connector has the pin-1 side clearly marked. The pin-1 side of each ribbon cable is always marked with a colored stripe on the cable.</li> </ol>	
<ol style="list-style-type: none"> <li>3. Plug an IDE cable connector into the CD-ROM/DVD drive IDE connector (B). It doesn't matter which connector on the cable you use.</li> </ol>	
<ol style="list-style-type: none"> <li>4. Plug a power cable from the case power supply into the power connector on the CD-ROM/DVD drive (C).</li> </ol>	
<ol style="list-style-type: none"> <li>5. Use the audio cable provided with the CD-ROM/DVD drive to connect to the mainboard CD-in connector CDIN1 or CDIN2 (D).</li> </ol>	

When you first start up your system, the BIOS should automatically detect your CD-ROM/DVD drive. If it doesn't, enter the Setup Utility and configure the CD-ROM/DVD drive that you have installed. See IDE Primary/Secondary Master/Slave (Auto) on page 28 for more information.

## Installing a Floppy Diskette Drive

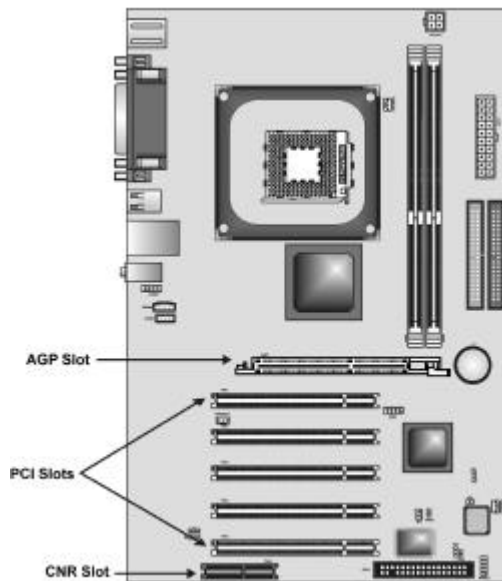
The mainboard has a floppy diskette drive (FDD) interface and ships with a diskette drive ribbon cable that supports one or two floppy diskette drives. You can install a 5.25-inch drive and a 3.5-inch drive with various capacities. The floppy diskette drive cable has one type of connector for a 5.25-inch drive and another type of connector for a 3.5-inch drive.

<ol style="list-style-type: none"> <li>1. Install the FDD into the drive cage in your system case.</li> <li>2. Plug the FDD cable into FLOPPY1 (A): <b>Note:</b> Ribbon cable connectors are usually keyed so that they can only be installed correctly on the device connector. If the connector is not keyed, make sure that you match the pin-1 side of the cable connector with the pin-1 side of the device connector. Each connector has the pin-1 side clearly marked. The pin-1 side of each ribbon cable is always marked with a colored stripe on the cable.</li> </ol>	
<ol style="list-style-type: none"> <li>3. Plug the correct connector on the FDD cable for the 5.25-inch or 3.5-inch drive into the FDD connector (B).</li> </ol>	
<ol style="list-style-type: none"> <li>4. Plug a power cable from the case power supply into the power connector on the FDD (C).</li> </ol>	

When you first start up your system, go immediately to the Setup Utility to configure the floppy diskette drives that you have installed. See Standard CMOS Features on page 27 for more information.

## Installing Add-on Cards

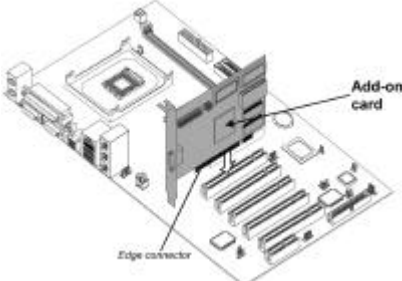
This mainboard has five 32-bit PCI (Peripheral Components Interconnect) expansion slots, one 4xAGP slot, and one Communications and Networking Riser (CNR) slot.



<b>PCI Slots</b>	PCI slots are used to install expansion cards that have the 32-bit PCI interface.
<b>4xAGP Slot</b>	<p>The mainboard comes with an Accelerated Graphics Port Pro slot that supports AGP cards for high performance, component level interconnect targeted at 3D graphical applications using a 4X mode bus. This slot can also support upgradeable external AGP card and Intel ADD (AGP Digital Display) Card which allows configuration for TV-out, LDVS and TMDS output.</p> <p><b>Note:</b> The above layout is for reference only. The AGP slot may be different from your mainboard. Please refer to actual shipment.</p>
<b>CNR Slot</b>	This slot is used to insert CNR cards with Modem and Audio functionality or Intel PHY LAN CNR card.

**Note:** Before installing an add-on card, check the documentation for the card carefully. If the card is not Plug and Play, you may have to manually configure the card before installation.

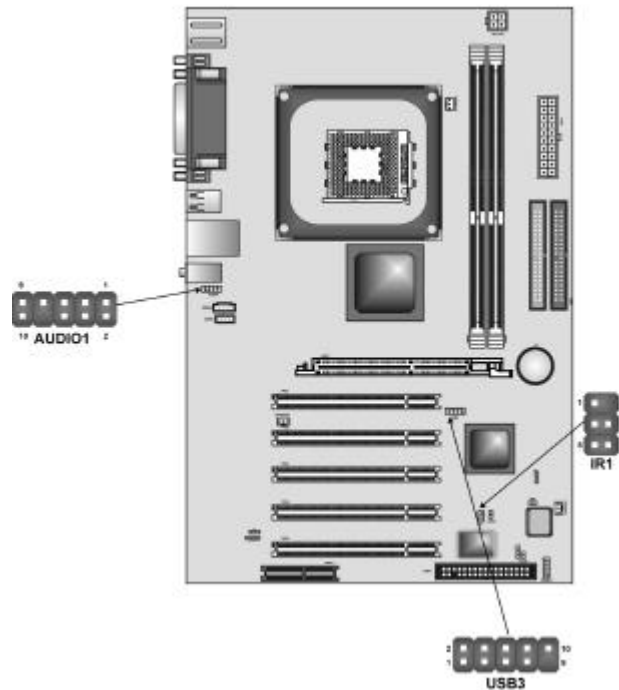
Follow these instructions to install an add-on card:

1. Remove a blanking plate from the system case corresponding to the slot you are going to use.	
2. Install the edge connector of the add-on card into the expansion slot. Ensure that the edge connector is correctly seated in the slot.	 An isometric diagram of a computer motherboard with an expansion slot. An add-on card is shown being inserted into the slot. A label 'Add-on card' points to the card, and another label 'Edge connector' points to the gold-plated contacts on the card's edge. The motherboard also shows other components like RAM slots and a CPU socket.
3. Secure the metal bracket of the card to the system case with a screw.	

**Note:** For some add-on cards, for example graphics adapters and network adapters, you have to install drivers and software before you can begin using the add-on card.

## Connecting Optional Devices

Refer to the following for information on connecting the mainboard's optional devices:



### AUDIO1: Front Panel Audio header

This header allows the user to install auxiliary front-oriented microphone and line-out ports for easier access.

Pin	Signal Name	Function
1	AUD_MIC	Front Panel Microphone input signal
2	AUD_GND	Ground used by Analog Audio Circuits
3	AUD_MIC_BIAS	Microphone Power
4	AUD_VCC	Filtered +5 V used by Analog Audio Circuits
5	AUD_FPOUT_R	Right Channel Audio signal to Front Panel
6	AUD_RET_R	Right Channel Audio signal to Return from Front Panel
7	HP_ON	Reserved for future use to control Head-phone Amplifier
8	KEY	No Pin
9	AUD_FPOUT_L	Left Channel Audio signal to Front Panel
10	AUD_RET_L	Left Channel Audio signal Return from Front Panel



## USB3: Front panel USB connectors

The mainboard has four USB ports installed on the rear edge I/O port array. Additionally, some computer cases have USB ports at the front of the case. If you have this kind of case, use auxiliary USB connectors USB3 to connect the front-mounted ports to the mainboard.

Pin	Signal Name	Function
1	VREG_FP_USBPWR0	Front Panel USB Power
2	VREG_FP_USBPWR0	Front Panel USB Power
3	USB_FP_P0-	USB Port 0 Negative Signal
4	USB_FP_P1-	USB Port 1 Negative Signal
5	USB_FP_P0+	USB Port 0 Positive Signal
6	USB_FP_P1+	USB Port 1 Positive Signal
7	GND	Ground
8	GND	Ground
9	KEY	No pin
10	USB_FP_OC0	Overcurrent signal

**Note:** Please make sure that the USB cable has the same pin assignment as indicated above. A different pin assignment may cause damage or system hang-up.

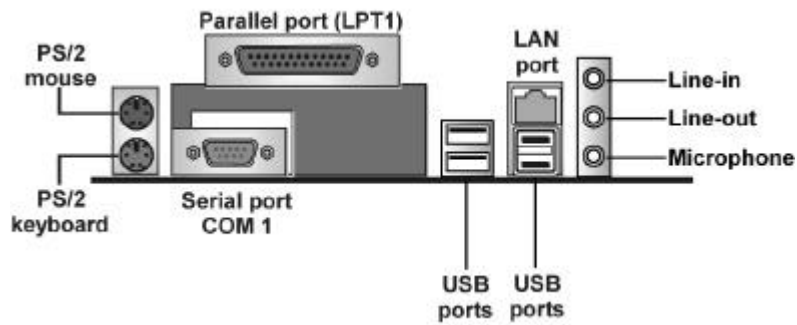
## IR1: Serial infrared port

The mainboard supports an Infrared (IR1) data port. Infrared ports allow the wireless exchange of information between your computer and similarly equipped devices such as printers, laptops, Personal Digital Assistants (PDAs), and other computers.

Pin	Signal Name	Function
1	Not assigned	Not assigned
2	KEY	No pin
3	+5V	IR Power
4	GND	Ground
5	IRTX	IrDA serial output
6	IRRX	IrDA serial input

## Connecting I/O Devices

The backplane of the mainboard has the following I/O ports:



<b>PS/2 Mouse</b>	Use the upper PS/2 port to connect a PS/2 pointing device.
<b>PS/2 Keyboard</b>	Use the lower PS/2 port to connect a PS/2 keyboard.
<b>LPT1</b>	Use LPT1 to connect printers or other parallel communications devices.
<b>COM1</b>	Use the COM ports to connect serial devices such as mice or fax/modems. COM1 is identified by the system as COM1/3. COM2 is identified by the system as COM2/4.
<b>VGA Port</b>	Connect your monitor to the VGA port.
<b>Audio Ports</b>	Use the three audio ports to connect audio devices. The first jack is for stereo line-in signal. The second jack is for stereo line-out signal. The third jack is for microphone.
<b>LAN Port</b>	Connect an RJ-45 jack to the LAN port to connect your computer to the Network.
<b>USB Ports</b>	Use the USB ports to connect USB devices.

## External Connector Color Coding

Many connectors now use standard colors as shown in the table below.

Connector	Color
Audio line-in	Light blue
Audio line-out	Lime
Digital monitor/flat panel	Blue
Microphone	Pink
Parallel	Burgundy
PS/2-compatible keyboard	Purple
PS/2-compatible mouse	Green
Serial	Teal or Turquoise
USB	Black
SCSI, network, telephone, modem	None

This concludes Chapter 2. The next chapter covers the BIOS.

## *Chapter 3*

# Using BIOS

---

### **About the Setup Utility**

The computer uses the latest Award BIOS with support for Windows Plug and Play. The CMOS chip on the mainboard contains the ROM setup instructions for configuring the mainboard BIOS.

The BIOS (Basic Input and Output System) Setup Utility displays the system's configuration status and provides you with options to set system parameters. The parameters are stored in battery-backed-up CMOS RAM that saves this information when the power is turned off. When the system is turned back on, the system is configured with the values you stored in CMOS.

The BIOS Setup Utility enables you to configure:

- Hard drives, diskette drives, and peripherals
- Video display type and display options
- Password protection from unauthorized use
- Power management features

The settings made in the Setup Utility affect how the computer performs. Before using the Setup Utility, ensure that you understand the Setup Utility options.

This chapter provides explanations for Setup Utility options.

### **The Standard Configuration**

A standard configuration has already been set in the Setup Utility. However, we recommend that you read this chapter in case you need to make any changes in the future.


This Setup Utility should be used:

- when changing the system configuration
- when a configuration error is detected and you are prompted to make changes to the Setup Utility
- when trying to resolve IRQ conflicts
- when making changes to the Power Management configuration
- when changing the password or making other changes to the Security Setup

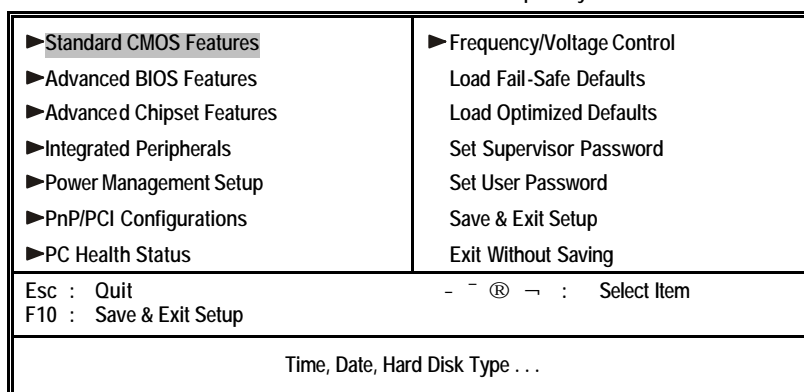
## Entering the Setup Utility

When you power on the system, BIOS enters the Power-On Self Test (POST) routines. POST is a series of built-in diagnostics performed by the BIOS. After the POST routines are completed, the following message appears:

### **Press DEL to enter SETUP**

Pressing the delete key  accesses the BIOS Setup Utility:

Phoenix – AwardBIOS CMOS Setup Utility



## BIOS Navigation Keys

The BIOS navigation keys are listed below:

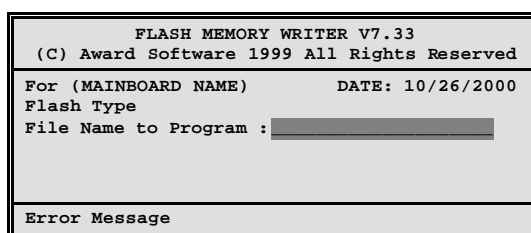
Key	Function
Esc	Exits the current menu
←↑↓→	Scrolls through the items on a menu
+/-/PU/PD	Modifies the selected field's values
F10	Saves the current configuration and exits setup
F1	Displays a screen that describes all key functions
F5	Loads previously saved values to CMOS
F6	Loads a minimum configuration for troubleshooting.
F7	Loads an optimum set of values for peak performance

## Updating the BIOS

You can download and install updated BIOS for this mainboard from the manufacturer's Web site. New BIOS provides support for new peripherals, improvements in performance, or fixes for known bugs. Install new BIOS as follows:

1. If your mainboard has a BIOS protection jumper, change the setting to allow BIOS flashing.

2. Create a bootable system disk. (Refer to Windows online help for information on creating a bootable system disk.)
3. Download the Flash Utility and new BIOS file from the manufacturer's Web site. Copy these files to the system diskette you created in Step 3.
4. Turn off your computer and insert the system diskette in your computer's diskette drive. (You might need to run the Setup Utility and change the boot priority items on the Advanced BIOS Features Setup page, to force your computer to boot from the floppy diskette drive first.)
5. At the A:\ prompt, type the Flash Utility program name and press <Enter>. You see a screen similar to the following:



6. Type the filename of the new BIOS in the "File Name to Program" text box. Follow the onscreen directions to update the mainboard BIOS.
7. When the installation is complete, remove the floppy diskette from the diskette drive and restart your computer. If your mainboard has a Flash BIOS jumper, reset the jumper to protect the newly installed BIOS from being overwritten.

---

## Using BIOS

When you start the Setup Utility, the main menu appears. The main menu of the Setup Utility displays a list of the options that are available. A highlight indicates which option is currently selected. Use the cursor arrow keys to move the highlight to other options. When an option is highlighted, execute the option by pressing <Enter>.

Some options lead to pop-up dialog boxes that prompt you to verify that you wish to execute that option. Other options lead to dialog boxes that prompt you for information.

Some options (marked with a triangle ►) lead to submenus that enable you to change the values for the option. Use the cursor arrow keys to scroll through the items in the submenu.

In this manual, default values are enclosed in parenthesis. Submenu items are denoted by a triangle ►.

## Standard CMOS Features

This option displays basic information about your system.

Phoenix – AwardBIOS CMOS Setup Utility  
Standard CMOS Features

Date (mm:dd:yy)	Tue, July 11 2001	Item Help
Time (hh:mm:ss)	12 : 8 : 59	
▶ IDE Primary Master		Menu Level ▶
▶ IDE Primary Slave		Change the day, month, year and century.
▶ IDE Secondary Master		
▶ IDE Secondary Slave		
Drive A	[1.44M, 3.5 in.]	
Drive B	[None]	
Floppy 3 Mode Support	[Disabled]	
Video	[EGA/VGA]	
Halt On	[All Errors]	
Base Memory	640K	
Extended Memory	31744K	
Total Memory	32768K	

- ↑ ↓ : Move    Enter : Select    +/-/PU/PD:Value:    F10: Save    ESC: Exit    F1:General Help  
F5:Previous Values    F6:Fail-Safe Defaults    F7:Optimized Defaults

### Date and Time

The Date and Time items show the current date and time on the computer. If you are running a Windows OS, these items are automatically updated whenever you make changes to the Windows Date and Time Properties utility.

### ▶ IDE Devices (None)

Your computer has two IDE channels (Primary and Secondary) and each channel can be installed with one or two devices (Master and Slave). Use these items to configure each device on the IDE channel.

Press <Enter> to display the IDE submenu:

Phoenix – AwardBIOS CMOS Setup Utility  
IDE Primary Master

IDE HDD Auto-Detection	[Press Enter]	Item Help
IDE Primary Master	[Auto]	
Access Mode	[Auto]	Menu Level ▶▶
Capacity	0 MB	To auto-detect the HDD's size, head . . . on this channel
Cylinder	0	
Head	0	
Precomp	0	
Landing Zone	0	
Sector	0	

- ↑ ↓ : Move    Enter : Select    +/-/PU/PD:Value:    F10: Save    ESC: Exit    F1:General Help  
F5:Previous Values    F6:Fail-Safe Defaults    F7:Optimized Defaults

### **IDE HDD Auto-Detection**

Press <Enter> while this item is highlighted to prompt the Setup Utility to automatically detect and configure an IDE device on the IDE channel.

---

**Note:** If you are setting up a new hard disk drive that supports LBA mode, more than one line will appear in the parameter box. Choose the line that lists LBA for an LBA drive.

---

### **IDE Primary/Secondary Master/Slave (Auto)**

Leave this item at Auto to enable the system to automatically detect and configure IDE devices on the channel. If it fails to find a device, change the value to Manual and then manually configure the drive by entering the characteristics of the drive in the items described below.

Refer to your drive's documentation or look on the drive casing if you need to obtain this information. If no device is installed, change the value to None.

---

**Note:** Before attempting to configure a hard disk drive, ensure that you have the configuration information supplied by the manufacturer of your hard drive. Incorrect settings can result in your system not recognizing the installed hard disk.

---

### **Access Mode**

This item defines ways that can be used to access IDE hard disks such as LBA (Large Block Addressing). Leave this value at Auto and the system will automatically decide the fastest way to access the hard disk drive.

Press <Esc> to return to the Standard CMOS Features page.

### **Drive A/Drive B (1.44M, 3.5 in./None)**

These items define the characteristics of any diskette drive attached to the system. You can connect one or two diskette drives.

### **Floppy 3 Mode Support (Disabled)**

Floppy 3 mode refers to a 3.5-inch diskette with a capacity of 1.2 MB. Floppy 3 mode is sometimes used in Japan.

### **Video (EGA/VGA)**

This item defines the video mode of the system. This mainboard has a built-in VGA graphics system; you must leave this item at the default value.

### **Halt On (All Errors)**

This item defines the operation of the system POST (Power On Self Test) routine. You can use this item to select which types of errors in the POST are sufficient to halt the system.

### **Base Memory, Extended Memory, and Total Memory**


These items are automatically detected by the system at start up time. These are display-only fields. You cannot make changes to these fields.



## Advanced BIOS Features

This option defines advanced information about your system.

Phoenix – AwardBIOS CMOS Setup Utility  
Advanced BIOS Features

CPU L1 & L2 Cache	[Enabled]		Item Help
Quick Power On Self Test	[Enabled]		Menu Level ▶
First Boot Device	[Floppy]		Allows you to choose the VIRUS warning feature for IDE Hard
Second Boot Device	[HDD-0]		Disk boot sector protection. If this function is enabled and someone attempts to write data into this area, BIOS will show a warning message on screen and alarm beep
Third Boot Device	[CD-ROM]		
Boot Other Device	[Enabled]		
Swap Floppy Drive	[Disabled]		
Boot Up Floppy Seek	[Disabled]		
Boot Up NumLock Status	[On]		
Gate A20 Option	[Fast]		
ATA 66/100 Cable MSG	[Disabled]		
Typematic Rate Setting	[Disabled]		
x Typematic Rate (Chars/Sec)	6		
x Typematic Delay (Msec)	250		
Security Option	[Setup]		
APIC Mode	[Enable]		
OS Select For DRAM > 64MB	[Non-OS2]		
HDD S.M.A.R.T Capability	[Disabled]		

- ↑ @ ~ : Move    Enter : Select    +/-/PU/PD:Value:    F10: Save    ESC: Exit    F1:General Help  
 F5:Previous Values    F6:Fail-Safe Defaults    F7:Optimized Defaults

### CPU L1 & L2 Cache (Enabled)

All processors that can be installed in this mainboard use internal level 1 (L1) and external level 2 (L2) cache memory to improve performance. Leave this item at the default value for better performance.

### Quick Power On Self Test (Enabled)

Enable this item to shorten the power on testing (POST) and have your system start up faster. You might like to enable this item after you are confident that your system hardware is operating smoothly.

### First/Second/Third Boot Device (Floppy/HDD-0/CD-ROM)

Use these three items to select the priority and order of the devices that your system searches for an operating system at start-up time.

### Boot Other Device (Enabled)

When enabled, the system searches all other possible locations for an operating system if it fails to find one in the devices specified under the First, Second, and Third boot devices.

### Swap Floppy Drive (Disabled)

If you have two floppy diskette drives in your system, this item allows you to swap the assigned drive letters so that drive A becomes drive B, and drive B becomes drive A.

### Boot Up Floppy Seek (Disabled)

If this item is enabled, it checks the size of the floppy disk drives at start-up

time. You don't need to enable this item unless you have a legacy diskette drive with 360K capacity.

**Boot Up NumLock Status (On)**

This item defines if the keyboard Num Lock key is active when your system is started.

**Gate A20 Option (Fast)**

This item defines how the system handles legacy software that was written for an earlier generation of processors. Leave this item at the default value.

**ATA 66/100 IDE Cable Msg. (Disabled)**

This item enables or disables the display of the ATA 66/100 Cable MSG.

**Typematic Rate Setting (Disabled)**

If this item is enabled, you can use the following two items to set the typematic rate and the typematic delay settings for your keyboard.

- **Typematic Rate (Chars/Sec):** Use this item to define how many characters per second are generated by a held-down key.
- **Typematic Delay (Msec):** Use this item to define how many milliseconds must elapse before a held-down key begins generating repeat characters.

**Security Option (Setup)**

If you have installed password protection, this item defines if the password is required at system start up, or if it is only required when a user tries to enter the Setup Utility.

**APIC Mode (Enable)**

This option enables/disables APIC (Advanced Programmable Interrupt Controller) functionality. The APIC is an Intel chip that provides symmetric multiprocessing (SMP) for its Pentium systems.

**OS Select For DRAM > 64 MB (Non-OS2)**

This item is only required if you have installed more than 64 MB of memory and you are running the OS/2 operating system. Otherwise, leave this item at the default.

**HDD S.M.A.R.T Capability (Disabled)**

The S.M.A.R.T. (Self-Monitoring, Analysis, and Reporting Technology) system is a diagnostics technology that monitors and predicts device performance. S.M.A.R.T. software resides on both the disk drive and the host computer.

**Report No FDD For WIN 95 (Yes)**

Set this item to the default if you are running a system with no floppy drive and using Windows 95; this ensures compatibility with the Windows 95 logo certification.

**Small Logo (EPA) Show (Disabled)**

Enables or disables the display of the EPA logo during boot.

## Advanced Chipset Features

These items define critical timing parameters of the mainboard. You should leave the items on this page at their default values unless you are very familiar with the technical specifications of your system hardware. If you change the values incorrectly, you may introduce fatal errors or recurring instability into your system.

### Phoenix – AwardBIOS CMOS Setup Utility Advanced Chipset Features

		Item Help
DRAM Timing Selectable	[Manual]	
CAS Latency Time	[2.5]	
Active to Precharge Delay	[7]	Menu Level ▶
DRAM RAS# to CAS# Delay	[3]	
DRAM RAS# Precharge	[3]	
Command Pre Clock	[Auto]	
Memory Frequency For	[Auto]	
System BIOS Cacheable	[Disabled]	
Video BIOS Cacheable	[Disabled]	
Memory Hole At 15M-16M	[Disabled]	
Delayed Transaction	[Enabled]	
Delay Prior to Thermal	[16 Min]	
AGP Aperture Size (MB)	[128]	
On-chip Video Windows Size	[128]	
On-chip Frame Buffer Size	[8M]	
Boot Display	[Auto]	

- : Move    Enter : Select    +/-/PU/PD: Value    F10: Save    ESC: Exit    F1: General Help  
F5: Previous Values    F6: Fail-Safe Defaults    F7: Optimized Defaults

### DRAM Timing Selectable (Manual)

The value in this field depends on performance parameters of the installed memory chips (DRAM). Do not change the value from the factory setting unless you install new memory that has a different performance rating than the original DRAMs.

### CAS Latency Time: (2.5)

When synchronous DRAM is installed, the number of clock cycles of CAS latency depends on the DRAM timing. Do not reset this field from the default value specified by the system designer.

### Active to Precharge Delay (7)

The precharge time is the number of cycles it takes for DRAM to accumulate its charge before refresh.

### DRAM RAS# to CAS# Delay (3)

This field lets you insert a timing delay between the CAS and RAS strobe signals, used when DRAM is written to, read from, or refreshed. Disabled gives faster performance; and Enabled gives more stable performance.

### DRAM RAS# Precharge (3)

Select the number of CPU clocks allocated for the Row Address Strobe (RAS#) signal to accumulate its charge before the DRAM is refreshed. If insufficient time is allowed, refresh may be incomplete and data lost.

**Command Pre Clock (Auto)**

Leave this item at Auto to enhance the system performance.

**Memory Frequency For (Auto)**

This item sets the main memory frequency. When you use an external graphics card, you can adjust this to enable the best performance for your system.

**System BIOS Cacheable (Disabled)**

This item allows the system to be cached in memory for faster execution. Enable this item for better performance.

**Video BIOS Cacheable (Disabled)**

These items allow the video BIOS and RAM to be cached in memory for faster execution. Enable these items for better performance.

**Memory Hole At 15M-16M (Disabled)**

You can reserve this area of system memory for ISA adapter ROM. When this area is reserved, it cannot be cached. The user information of peripherals that need to use this area of system memory usually discusses their memory requirements.

**Delayed Transaction (Enabled)**

The chipset has an embedded 32-bit posted write buffer to support delayed transaction cycles. Enable this item to support compliance with PCI specification version 2.1.

**Delay Prior to Thermal (16 Min)**

Enables you to set the delay time before the CPU enters auto thermal mode.

**AGP Aperture Size (128 MB)**

This item defines the size of the aperture if you use an AGP graphics adapter. The AGP aperture refers to a section of the PCI memory address range used for graphics memory. We recommend that you leave this item at the default value.

## Integrated Peripherals

These options display items that define the operation of peripheral components on the system's input/output ports.

Phoenix – AwardBIOS CMOS Setup Utility  
Integrated Peripherals

			Item Help
On-Chip Primary	PCI IDE	[Enabled]	
IDE Primary Master	PIO	[Auto]	
IDE Primary Slave	PIO	[Auto]	
IDE Primary Master	UDMA	[Auto]	
IDE Primary Slave	UDMA	[Auto]	
On-Chip Secondary	PCI IDE	[Enabled]	
IDE Secondary Master	PIO	[Auto]	
IDE Secondary Slave	PIO	[Auto]	
IDE Secondary Master	UDMA	[Auto]	
IDE Secondary Slave	UDMA	[Auto]	
USB Controller		[Enabled]	
USB 2.0 Controller		[Enabled]	
USB Keyboard Support		[Disabled]	
USB Mouse Support		[Disabled]	
AC97 Audio		[Auto]	
AC97 Modem		[Auto]	
Onboard LAN Device		[Enabled]	
Onboard LAN Boot ROM		[Disabled]	
Init Display First		[PCI Slot]	
IDE HDD Block Mode		[Enabled]	

- ↑ ↓ : Move    Enter : Select    +/-/PU/PD:Value:    F10: Save    ESC: Exit    F1:General Help  
F5:Previous Values    F6:Fail-Safe Defaults    F7:Optimized Defaults

### On-Chip Primary/Secondary PCI IDE (Enabled)

Use these items to enable or disable the PCI IDE channels that are integrated on the mainboard.

### IDE Primary/Secondary Master/Slave PIO (Auto)

Each IDE channel supports a master device and a slave device. These four items let you assign which kind of PIO (Programmed Input/Output) is used by IDE devices. Choose Auto to let the system auto detect which PIO mode is best, or select a PIO mode from 0-4.

### IDE Primary/Secondary Master/Slave UDMA (Auto)

Each IDE channel supports a master device and a slave device device. This mainboard supports UltraDMA technology, which provides faster access to IDE devices.

If you install a device that supports UltraDMA, change the appropriate item on this list to Auto. You may have to install the UltraDMA driver supplied with this mainboard in order to use an UltraDMA device.

### USB Controller (Enabled)

Enable this item if you plan to use the Universal Serial Bus ports on this mainboard.

**USB 2.0 Controller (Enabled)**

Enable this item if want to use the USB 2.0 controller.

**USB Keyboard Support (Enabled)**

Enable this item if you plan to use a keyboard connected through the USB port in a legacy operating system (such as DOS) that does not support Plug and Play.

**USB Mouse Support (Disabled)**

Enable this item if you plan to use a USB mouse.

**AC97 Audio (Auto)**

Enables and disables the onboard audio chip. Disable this item if you are going to install a PCI audio add-on card.

**AC97 Modem (Auto)**

Enables and disables the onboard modem. Disable this item if you are going to install an external modem.

**Onboard LAN Device (Enabled)**

Select Enabled if your system contains a built-in LAN device.

**Onboard LAN BOOT ROM (Disabled)**

This item allows you to enable or disable the onboard LAN Boot ROM function.

**Init Display First (PCI Slot)**

Use this item to specify whether your graphics adapter is installed in one of the PCI slots or is integrated on the mainboard.

**IDE HDD Block Mode (Enabled)**

Enable this field if your IDE hard drive supports block mode. Block mode enables BIOS to automatically detect the optimal number of block read and writes per sector that the drive can support and improves the speed of access to IDE devices.

**POWER ON Function (Hot KEY)**

Enables you to set power on parameters. The default setting enables you to use a hot key to turn on the system.

**Onboard FDC Controller (Enabled)**

This option enables the onboard floppy disk drive controller.

**Onboard Serial Port 1 (3F8/IRQ4)**

This option is used to assign the I/O address and interrupt request (IRQ) for the onboard serial port 1 (COM1).

**UART Mode Select (Normal)**

This field is available if the Onboard Serial Port 2 field is set to any option but Disabled. UART Mode Select enables you to select the infrared communication protocol-Normal (default), IrDA, or ASKIR. IrDA is an infrared communication protocol with a maximum baud rate up to 115.2K bps. ASKIR

is Sharp's infrared communication protocol with a maximum baud rate up to 57.6K bps.

**RxD; TxD Active (Hi, Lo)**

This field enables you to set the IR reception/transmission polarity as High or Low.

**IR Transmission Delay (Enabled)**

This field enables you to set the whether the IR transmission rate will be delayed while converting to receiving mode.

**UR2 Duplex Mode (Half)**

This field is available when UART 2 Mode is set to either ASKIR or IrDA. This item enables you to determine the infrared function of the onboard infrared chip. The options are Full and Half (default).

Full-duplex means that you can transmit and send information simultaneously. Half-duplex is the transmission of data in both directions, but only one direction at a time.

**Use IR Pins (IR-Rx2Tx2)**

Please consult your IR peripheral documentation to select the correct setting of the TxD and RxD signals.

**Onboard Parallel Port (378/IRQ7)**

This option is used to assign the I/O address and interrupt request (IRQ) for the onboard parallel port.

**Parallel Port Mode (ECP)**

Enables you to set the data transfer protocol for your parallel port. There are four options: SPP (Standard Parallel Port), EPP (Enhanced Parallel Port), ECP (Extended Capabilities Port), and ECP+EPP.

SPP allows data output only. Extended Capabilities Port (ECP) and Enhanced Parallel Port (EPP) are bi-directional modes, allowing both data input and output. ECP and EPP modes are only supported with EPP- and ECP-aware peripherals.

**EPP Mode Select (EPP 1.7)**

The onboard parallel port is EPP spec. compliant, after you choose the onboard parallel port with EPP function. Set the EPP version to 1.7 spec or 1.9 spec.

**ECP Mode Use DMA (3)**

When the onboard parallel port is set to ECP mode, the parallel port can use DMA 3 or DMA 1.

## Power Management Setup

This option lets you control system power management. The system has various power-saving modes including powering down the hard disk, turning off the video, suspending to RAM, and software power down that allows the system to be automatically resumed by certain events.

The power-saving modes can be controlled by timeouts. If the system is inactive for a time, the timeouts begin counting. If the inactivity continues so that the timeout period elapses, the system enters a power-saving mode. If any item in the list of Reload Global Timer Events is set to Enabled, then any activity on that item will reset the timeout counters to zero.

If the system is suspended or has been powered down by software, it can be resumed by a wake up call that is generated by incoming traffic to a modem, a LAN card, a PCI card, or a fixed alarm on the system realtime clock.

Phoenix – AwardBIOS CMOS Setup Utility  
Power Management Setup

ACPI Function	[Enabled]	↑ ↓	Item Help
Power Management	[User Define]		Menu Level ▶
Video Off Method	[DPMS]		
Video Off In Suspend	[Yes]		
Suspend Type	[Stop Grant]		
MODEM Use IRQ	[3]		
Suspend Mode	Disabled		
HDD Power Down	Disabled		
HDD Off When Suspend	[Disabled]		
Soft-Off by PWR-BTTN	[Instant-Off]		
Wake-Up by PCI card	[Enabled]		
Power On by Ring	[Disabled]		
Resume by Alarm	[Disabled]		
x Date (of Month) Alarm	0		
x Time (hh:mm:ss) Alarm	0 0 0		

\*\* Reload Global Timer Events \*\*

- : Move    Enter : Select    +/-/PU/PD: Value    F10: Save    ESC: Exit    F1: General Help  
F5: Previous Values    F6: Fail-Safe Defaults    F7: Optimized Defaults

**ACPI Function (Enabled)**

This mainboard supports ACPI (Advanced Configuration and Power management Interface). Use this item to enable or disable the ACPI feature.

**Note:** ACPI is a power management specification that makes hardware status information available to the operating system. ACPI enables a PC to turn its peripherals on and off for improved power management. It also allows the PC to be turned on and off by external devices, so that mouse or keyboard activity wakes up the computer.

**Power Management (User Define)**

This item acts like a master switch for the power-saving modes and hard disk timeouts. If this item is set to Max Saving, power-saving modes occur after a short timeout. If this item is set to Min Saving, power-saving modes occur after a longer timeout. If the item is set to User Define, you can insert your own timeouts for the power-saving modes.



**Video Off Method (DPMS)**

This item defines how the video is powered down to save power. This item is set to DPMS (Display Power Management Software) by default.

**Video Off In Suspend (Yes)**

This option defines if the video is powered down when the system is put into suspend mode.

**Suspend Type (Stop Grant)**

If this item is set to the default Stop Grant, the CPU will go into Idle Mode during power saving mode.

**MODEM Use IRQ (3)**

If you want an incoming call on a modem to automatically resume the system from a power-saving mode, use this item to specify the interrupt request line (IRQ) that is used by the modem. You might have to connect the fax/modem to the mainboard Wake On Modem connector for this feature to work.

**Suspend Mode (Disabled)**

The CPU clock will be stopped and the video signal will be suspended if no Power Management events occur for a specified length of time. Full power function will return when a Power Management event is detected. Options are from 1 Min to 1 Hour and Disable.

**HDD Power Down (Disabled)**

The IDE hard drive will spin down if it is not accessed within a specified length of time. Options are from 1 Min to 15 Min and Disable.

**HDD Off When Suspend (Disabled)**

This option defines if the hard disk drive is powered down when the system is put into suspend mode.

**Soft-Off by PWR-BTTN (Instant-Off)**

Under ACPI (Advanced Configuration and Power management Interface) you can create a software power down. In a software power down, the system can be resumed by Wake Up Alarms. This item lets you install a software power down that is controlled by the power button on your system. If the item is set to Instant-Off, then the power button causes a software power down. If the item is set to Delay 4 Sec. then you have to hold the power button down for four seconds to cause a software power down.

**CPU THRM-Throttling (50.0%)**

Use this item to specify the CPU speed (at percentage) to slow down the CPU when it reach the predetermined overheat temperature.

**Wake-Up by PCI Card (Enabled)**

When this item is enabled, the system power will be turned on if there is any PCI card activity.

**Power On by Ring (Disabled)**

If this item is enabled, it allows the system to resume from a software power down or a power-saving mode whenever there is an incoming call to an installed fax/modem. You have to connect the fax/modem to the mainboard.

**Resume by Alarm (Disabled)**

When set to Enabled, additional fields become available and you can set the date (day of the month), hour, minute and second to turn on your system. When set to 0 (zero) for the day of the month, the alarm will power on your system every day at the specified time.

**\*\* Reload Global Timer Events \*\***

Global Timer (power management) events are I/O events whose occurrence can prevent the system from entering a power saving mode or can awaken the system from such a mode. In effect, the system remains alert for anything that occurs to a device that is configured as Enabled, even when the system is in a power-down mode.

**Primary/Secondary IDE 1/0 (Disabled)**

When these items are enabled, the system will restart the power-saving timeout counters when any activity is detected on any of the drives or devices on the primary or secondary IDE channels.

**FDD, COM, LPT Port (Disabled)**

When this item is enabled, the system will restart the power-saving timeout counters when any activity is detected on the floppy disk drive, serial ports, or the parallel port.

**PCI PIRQ [A-D]# (Disabled)**

When disabled, any PCI device set as the Master will not power on the system.

**PWRON After PWR-Fail (Off)**

This item enables your computer to automatically restart or return to its last operating status after power returns from a power failure.

## PNP/PCI Configurations

This option configures how PnP (Plug and Play) and PCI expansion cards operate in your system. Both the ISA and PCI buses on the Mainboard use system IRQs (Interrupt ReQuests) and DMAs (Direct Memory Access). You must set up the IRQ and DMA assignments correctly through the PnP/PCI Configurations Setup utility for the mainboard to work properly. Selecting PnP/PCI Configurations on the main program screen displays this menu:

Phoenix – AwardBIOS CMOS Setup Utility  
PnP/PCI Configurations

		Item Help
x	Resources Controlled by IRQ Resources	[Auto(ESCD)] Press Enter
	PCI/VGA Palette Snoop	[Disabled]
	Assign IRQ For USB	[Enabled]
	INT Pin 1 Assignment	[Auto]
	INT Pin 2 Assignment	[Auto]
	INT Pin 3 Assignment	[Auto]
	INT Pin 4 Assignment	[Auto]
	INT Pin 5 Assignment	[Auto]
	INT Pin 6 Assignment	[Auto]
	INT Pin 7 Assignment	[Auto]
	INT Pin 8 Assignment	[Auto]

- ~ ® → : Move    Enter : Select    +/-/PU/PD:Value:    F10: Save    ESC: Exit    F1:General Help  
F5:Previous Values    F6:Fail-Safe Defaults    F7:Optimized Defaults

### Reset Configuration Data (Disabled)

If you enable this item and restart the system, any Plug and Play configuration data stored in the BIOS Setup is cleared from memory.

### Resources Controlled By (Auto(ESCD))

You should leave this item at the default Auto(ESCD). Under this setting, the system dynamically allocates resources to Plug and Play devices as they are required.

If you cannot get a legacy ISA (Industry Standard Architecture) expansion card to work properly, you might be able to solve the problem by changing this item to Manual, and then opening up the IRQ Resources and Memory Resources submenus.

In the IRQ Resources submenu, if you assign an IRQ to Legacy ISA, then that Interrupt Request Line is reserved for a legacy ISA expansion card. Press <Esc> to close the IRQ Resources submenu.

In the Memory Resources submenu, use the first item Reserved Memory Base to set the start address of the memory you want to reserve for the ISA expansion card. Use the second item Reserved Memory Length to set the amount of reserved memory. Press <Esc> to close the Memory Resources submenu.

### PCI/VGA Palette Snoop (Disabled)

This item is designed to overcome problems that can be caused by some non-standard VGA cards. This board includes a built-in VGA system that does not

require palette snooping so you must leave this item disabled.

**Assign IRQ For USB (Enabled)**

Names the interrupt request (IRQ) line assigned to the USB on your system. Activity of the selected IRQ always awakens the system.

**INT Pin1~8 Assignment (Auto)**

Names the interrupt request (IRQ) line assigned to a device connected to the PCI interface on your system.

**PC Health Status**

On mainboards that support hardware monitoring, this item lets you monitor the parameters for critical voltages, critical temperatures, and fan speeds.

Phoenix – AwardBIOS CMOS Setup Utility  
PC Health Status

Shutdown Temperature	[Disabled]	Item Help
CPU Warning Temperature	[Disabled]	
Chassis Open Warning	[Disabled]	Menu Level ▶
Chassis has been		
Current System Temp		
Current CPU Temp		
SYS FAN Speed		
CPU FAN Speed		
PWR FAN Speed		
CPU Vcore		
1.50 V		
3.30 V		
5.00 V		
12.0 V		
Battery Voltage		

- ® - : Move Enter : Select +/ - /PU/PD: Value: F10: Save ESC: Exit F1: General Help  
F5: Previous Values F6: Fail-Safe Defaults F7: Optimized Defaults

**Shutdown Temperature**

Enables you to set the maximum temperature the system can reach before powering down.

**CPU Warning Temperature**

Use this item to set the warning temperature level for the processor.

**Chassis Open Warning**

Enables or disables the alert warning message when the chassis is opened.

**System Component Characteristics**

These items allow end users and technicians to monitor data provided by the BIOS on this mainboard. You cannot make changes to these fields.

- CPU Vcore (CPU core voltage)
- Voltage Battery (battery voltage)
- Current System Temp (degrees Fahrenheit and Celsius)

- Current CPU Temp (degrees Fahrenheit and Celsius)
- CPU fan speed (in RPMs)
- Chassis FAN Speed (in RPMs)
- Power FAN Speed (in RPMs)

## Frequency/Voltage Control

This item enables you to set the clock speed and system bus for your system. The clock speed and system bus are determined by the kind of processor you have installed in your system.

Phoenix – AwardBIOS CMOS Setup Utility  
Frequency/Voltage Control

CPU Clock Ratio	[By Keyin]	Item Help
CPU Voltage	[Auto]	
Auto Detect DIMM/PCI Clk	[Enabled]	Menu Level ▶
Spread Spectrum	[Enabled]	
CPU Host/AGPCLK/PCICLK	[Default]	

- ↑ ↓ : Move    Enter : Select    +/-/PU/PD:Value:    F10: Save    ESC: Exit    F1:General Help  
F5:Previous Values    F6:Fail-Safe Defaults    F7:Optimized Defaults

### CPU Clock Ratio

Enables you to set the CPU clock. The CPU clock ratio times the CPU Host/PCI Clock should equal the core speed of the installed processor.

#### Example:

<b>CPU Clock Ratio</b>	8
<b>CPU Host/PCI Clock</b>	<u>x 100</u>
<b>Installed CPU clock speed</b>	800 MHz

### CPU Voltage

Enables you to auto-detect the CPU voltage.

#### Auto Detect DIMM/PCI Clk (Enabled)

When this item is enabled, BIOS will disable the clock signal of free DIMM and PCI slots.

#### Spread Spectrum (Enabled)

If you enable spread spectrum, it can significantly reduce the EMI (Electro-Magnetic Interference) generated by the system.

#### CPU Host/3V66/PCI Clock (Default)

Use the CPU Host Clock to set the frontside bus frequency for the installed processor (usually 133 MHz, 100 MHz or 66 MHz).

## Load Fail-Safe Defaults Option

This option opens a dialog box that lets you install fail-safe defaults for all appropriate items in the Setup Utility:

Press <Y> and then <Enter> to install the defaults. Press <N> and then <Enter> to not install the defaults. The fail-safe defaults place no great demands on the system and are generally stable. If your system is not functioning correctly, try installing the fail-safe defaults as a first step in getting your system working properly again. If you only want to install fail-safe defaults for a specific option, select and display that option, and then press <F6>.

## Load Optimized Defaults Option

This option opens a dialog box that lets you install optimized defaults for all appropriate items in the Setup Utility. Press <Y> and then <Enter> to install the defaults. Press <N> and then <Enter> to not install the defaults. The optimized defaults place demands on the system that may be greater than the performance level of the components, such as the CPU and the memory. You can cause fatal errors or instability if you install the optimized defaults when your hardware does not support them. If you only want to install setup defaults for a specific option, select and display that option, and then press <F7>.

## Set Supervisor/User Password

When this function is selected, the following message appears at the center of the screen to assist you in creating a password.

### ENTER PASSWORD

Type the password, up to eight characters, and press <Enter>. The password typed now will clear any previously entered password from CMOS memory. You will be asked to confirm the password. Type the password again and press <Enter>. You may also press <Esc> to abort the selection.

To disable password, just press <Enter> when you are prompted to enter password. A message will confirm the password being disabled. Once the password is disabled, the system will boot and you can enter BIOS Setup freely.

### PASSWORD DISABLED

If you have selected “**System**” in “Security Option” of “BIOS Features Setup” menu, you will be prompted for the password every time the system reboots or any time you try to enter BIOS Setup.

If you have selected “**Setup**” at “Security Option” from “BIOS Features Setup” menu, you will be prompted for the password only when you enter BIOS Setup.

Supervisor Password has higher priority than User Password. You can use Supervisor Password when booting the system or entering BIOS Setup to modify all settings. Also you can use User Password when booting the system or entering BIOS Setup but can not modify any setting if Supervisor Password is enabled.

## Save & Exit Setup Option

Highlight this item and press <Enter> to save the changes that you have made in the Setup Utility and exit the Setup Utility. When the Save and Exit dialog box appears, press <Y> to save and exit, or press <N> to return to the main menu:

## Exit Without Saving

Highlight this item and press <Enter> to discard any changes that you have made in the Setup Utility and exit the Setup Utility. When the Exit Without Saving dialog box appears, press <Y> to discard changes and exit, or press <N> to return to the main menu.

---

**Note:** If you have made settings that you do not want to save, use the "Exit Without Saving" item and press <Y> to discard any changes you have made.

---

This concludes Chapter 3. Refer to the next chapter for information on the software supplied with the mainboard.

## *Chapter 4*

# Using the Mainboard Software

---

### **About the Software CD-ROM**

The support software CD-ROM that is included in the mainboard package contains all the drivers and utility programs needed to properly run the bundled products. Below you can find a brief description of each software program, and the location for your mainboard version. More information on some programs is available in a README file, located in the same directory as the software.

---

**Note:** Never try to install software from a folder that is not specified for use with your mainboard.

---

Before installing any software, always inspect the folder for files named README.TXT, INSTALL.TXT, or something similar. These files may contain important information that is not included in this manual



---

## Utility Software Reference

All the utility software available from this page is Windows compliant. They are provided only for the convenience of the customer. The following software is furnished under license and may only be used or copied in accordance with the terms of the license.

---

**Note:** These software(s) are subject to change at anytime without prior notice. Please refer to the support CD for available software.

---

### AWARD Flash Memory Utility

This utility lets you erase the system BIOS stored on a Flash Memory chip on the mainboard, and lets you copy an updated version of the BIOS to the chip. Proceed with caution when using this program. If you erase the current BIOS and fail to write a new BIOS, or write a new BIOS that is incorrect, your system will malfunction. Refer to Chapter 3, *Using BIOS* for more information.

### WinFlash Utility

The Award WinFlash utility is a Windows version of the DOS Award BIOS flash writer utility. The utility enables you to flash the system BIOS stored on a Flash Memory chip on the mainboard while in a Windows environment. This utility is currently available for WINXP\ME\2000\98SE. To install the WinFlash utility, run WINFLASH.EXE from the following directory:

\UTILITY\WinFlash\AWARD

### PC-CILLIN 2002

The PC-CILLIN 2002 software program provides anti-virus protection for your system. This program is available for Windows 2000/ME/98SE/XP and Windows NT. Be sure to check the readme.txt and install the appropriate anti-virus software for your operating system.

We strongly recommend users to install this free anti-virus software to help protect your system against viruses.

### MediaRing Talk – Telephony Software

To install the MediaRing Talk voice modem software for the built-in modem, go to the directory \UTILITY\MEDIARING TALK, then run MRTALK-SETUP72.EXE to install the application software.

### Super Voice – Fax/Modem Software

To install the Super Voice voice, fax, data communication application for use with the built-in fax/modem, go the directory \UTILITY\SUPER\_VOICE, then run PICSHELL.EXE to install the application software.

## **PageABC**

The PageABC application software enables you to create your very own home page. To install the PageABC, go to the directory \UTILITYPageABC, and then run SETUP.EXE to install the application software.

This concludes Chapter 4.