

## HP Consumer Support

# Motherboard Specifications, P5LP-LE (Lithium)

[Print](#) [Share](#)

[Motherboard specifications table](#)

[Motherboard layout and photos](#)

[Clearing the CMOS settings](#)

[Clearing the password settings](#)

## Motherboard specifications table

Part / Feature	Specification / Support
<b>Motherboard description</b>	<ul style="list-style-type: none"> <li>Motherboard manufacturer's name: ASUS P5LP-LE</li> <li>HP/Compaq name: Lithium-UL8E</li> </ul>
<b>CPU/Processor</b>	<ul style="list-style-type: none"> <li>Socket: 775</li> <li>Supports Pentium D (Smithfield) up to 3.2 GHz and Pentium4 (Prescott) up to 580 and 670</li> </ul>
<b>System bus</b>	<ul style="list-style-type: none"> <li>533 MHz, 800 MHz, 1066 MHz</li> </ul>
<b>Chipset</b>	<ul style="list-style-type: none"> <li>Northbridge: Intel 945P</li> <li>Southbridge: Intel I/O Controller Hub 7</li> </ul>
<b>BIOS features</b>	<ul style="list-style-type: none"> <li>The mainboard BIOS provides "Plug &amp; Play" BIOS which detects the peripheral devices and expansion cards of the board automatically</li> <li>The mainboard provides a Desktop Management Interface (DMI) function which records your mainboard specifications</li> </ul>
<b>Form factor</b>	<ul style="list-style-type: none"> <li>Micro-ATX: 9.6 in X 9.6 in</li> </ul>
<b>Memory</b>	<ul style="list-style-type: none"> <li>Four 240-pin DDR2 DIMM sockets</li> <li>Supports PC2 4200 (533 MHz) and PC2 5300 (667 MHz) DDR2 DIMMs</li> <li>Supports 1.8v DDR2 SDRAM</li> <li>Maximum HP/Compaq approved memory is 4 GB*</li> </ul>



Contact HP

Product (e.g. Deskjet D2680)

Question or keywords



## Tips

**We are currently updating our customer support system and are unable to process your service order at this time. Please check back after September 14th (10:00 AM MT) for your order status.**

[Extend your warranty with HP Care Pack Services](#)

[Check out the HP Total Care Support Videos](#)

## Related support links

[Check warranty status](#)

[Check repair order](#)


## HP Support forums

Find solutions and collaborate with others on the HP Support Forum

[Join the conversation](#)

## Follow us



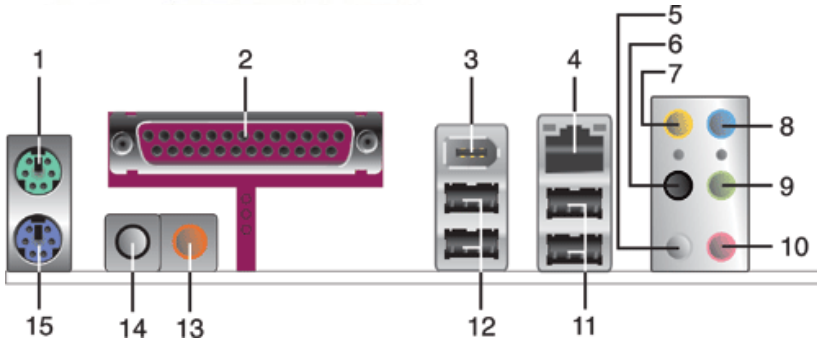
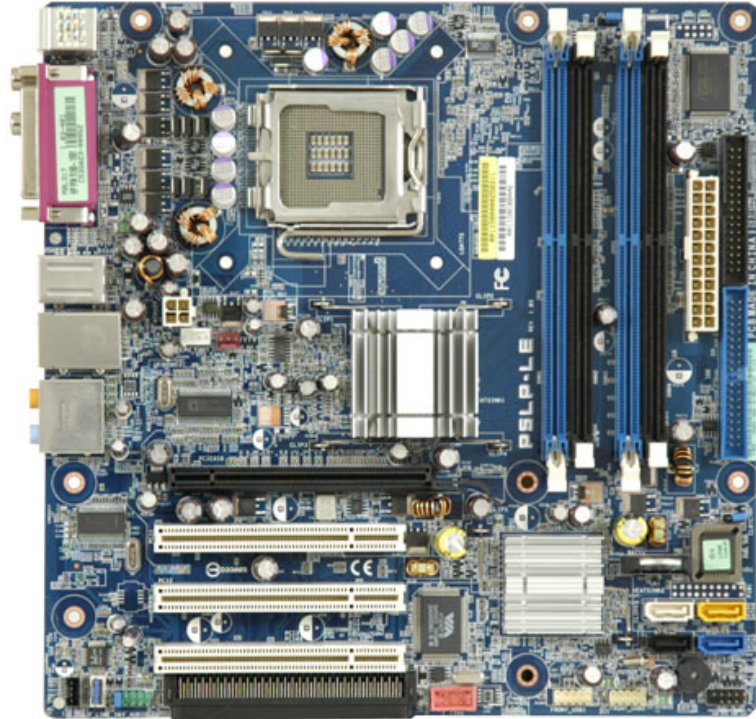
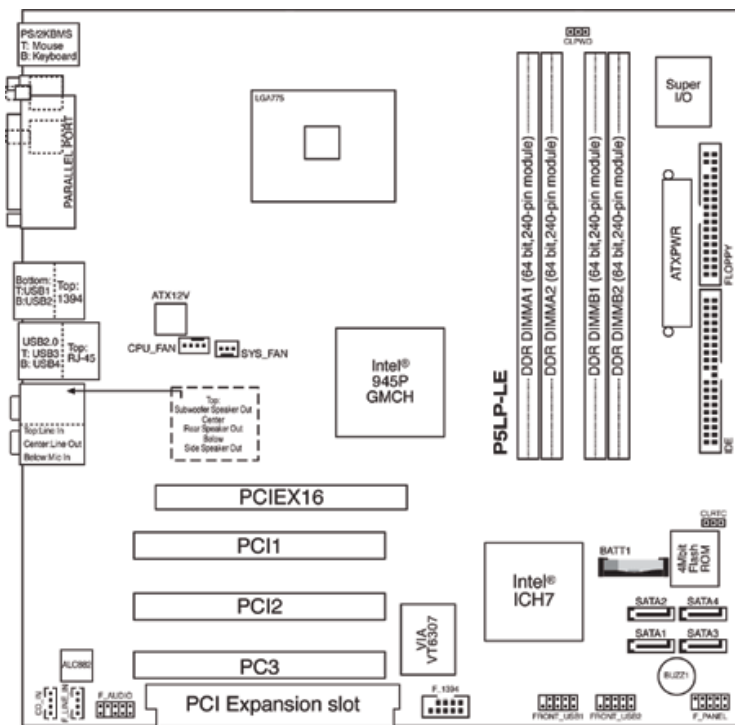
 NOTE:\*Actual available memory may be less

<b>Expansion slots</b>	<ul style="list-style-type: none"><li>• One PCI Express x16 graphics</li><li>• Three PCI</li></ul>
<b>Video graphics</b>	<ul style="list-style-type: none"><li>• External only</li></ul>
<b>Serial ATA</b>	<ul style="list-style-type: none"><li>• 4 SATA connectors</li><li>• Each connector supports 1 serial ATA-150 disk drive</li></ul>
<b>Onboard audio or audio card</b>	Integrated Intel High Definition (TM) audio (Azalia) <ul style="list-style-type: none"><li>• Realtek ALC 882 CODEC</li><li>• THX certification support</li><li>• 8-channels for Full Dolby 5.1/6.1/7.1 surround sound support with Dolby Pro Logic IIx</li></ul>
<b>Onboard LAN</b>	<ul style="list-style-type: none"><li>• Intel 82562GT</li><li>• 10/100 Mbps Fast Ethernet</li></ul>
<b>Back panel I/O</b>	<ul style="list-style-type: none"><li>• One PS/2 keyboard</li><li>• One PS/2 mouse</li><li>• One Parallel</li><li>• One IEEE 1394</li><li>• One RJ-45 networking port</li><li>• Four USB 2.0</li><li>• One coaxial SPDIF in</li><li>• One coaxial SPDIF out</li><li>• Six audio connectors: side speaker out, rear speaker out, center/subwoofer, line in, line out, and microphone</li></ul>
<b>Internal connectors</b>	<ul style="list-style-type: none"><li>• One floppy port supports 1 FDD with 360K, 720K, 1.2M, 1.44M and 2.88Mbytes</li><li>• One IDE</li><li>• One 24-pin ATX power</li><li>• One 4-pin ATX 12 V power</li><li>• Four serial ATA</li><li>• Four USB 2.0 ports on two connectors</li><li>• Two internal audio</li><li>• One front headphone and microphone</li><li>• One IEEE 1394a</li><li>• One CPU fan</li><li>• One system (chassis) fan</li></ul>



NOTE:Motherboard specifications are subject to change without notice.

[Back to top](#)



1 - PS/2 mouse port

2 - Parallel port

3 - IEEE 1394a port (FireWire)

4 - RJ-45 LAN port (network)

5 - Side speaker out (gray) for 8-channel audio configuration

**6 - Rear speaker out (black) for 4, 6, or 8-channel configuration**

**7 - Center/Subwoofer port (yellow)**

**8 - Audio line-in (light-blue)**

**9 - Audio line-out/front speaker out (lime green)**

**10 - Microphone (pink)**

**11 - USB 2.0 ports**

**12 - USB 2.0 ports**

**13 - Coaxial S/PDIF out**

**14 - Coaxial S/PDIF in**

**15 - PS/2 Keyboard port**

[Back to top](#)

---

## Clearing the CMOS settings

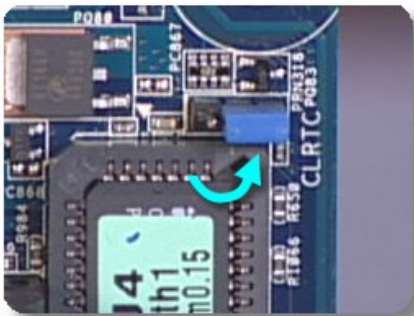


**CAUTION:** Do not change any jumper setting while the computer is on. Damage to the motherboard can result.

### Clear RTC RAM (3-pin CLRTC)

This jumper allows you to clear the Real Time Clock (RTC) RAM in CMOS. You can clear the CMOS memory of date, time, and system setup parameters by erasing the CMOS RTC RAM data. The onboard button cell battery powers the RAM data in CMOS, which include system setup information such as system passwords.

1. Turn **off** the PC and unplug the power cord.
2. Move the jumper cap from pins 1-2 (Normal) to pins 2-3 (Clear CMOS). Keep the cap on pins 2-3 for about 5 to 10 seconds, then move the cap back to pins 1-2.

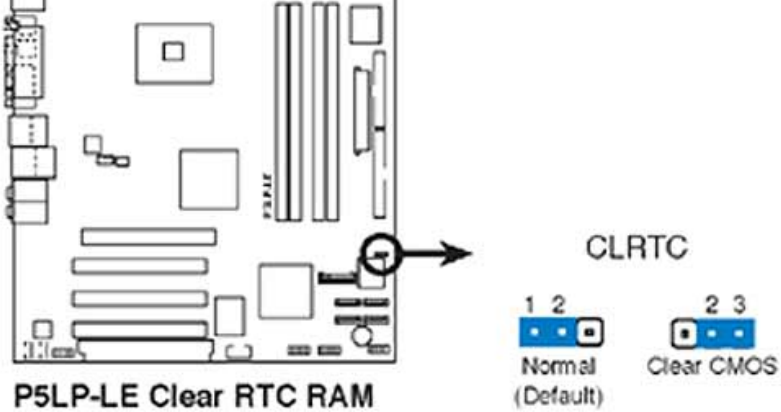


3. Plug the power cord and turn **on** the PC.
4. Hold down the **F1** key during the startup process and enter BIOS setup to re-enter/reset any custom BIOS settings.



**CAUTION:** Except when clearing the RTC RAM, never remove the cap from the default position. Removing the cap will cause system boot failure!





[Back to top](#)

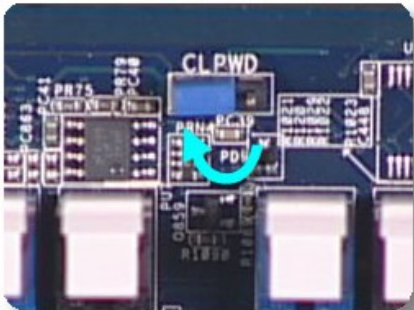
## Clearing the password settings



**CAUTION:** Do not change any jumper setting while the computer is on. Damage to the motherboard can result.

The BIOS password is used to protect BIOS settings from unwanted changes. If you have forgotten your password you may disable password checking. To erase the BIOS password follow these steps:

1. Turn **off** the PC and unplug the power cord.
2. Move the jumper cap on jumper CLPWD to pins 1-2.



3. Plug the power cord and turn **on** the PC.
4. Hold down the **F1** key during the boot process and enter BIOS setup to re-enter/reset any custom BIOS settings.
5. After changing or clearing the BIOS passwords, turn off the PC reset the jumper to pins 2-3

[Back to top](#)

**About HP**

Contact us  
Newsroom  
Investor relations  
Living Progress  
Accessibility  
Events  
HP Labs  
Jobs

**Social Media**

Consumer support forum  
Enterprise business community  
Corporate blogs

**HP Partners**

Become a partner  
Find a reseller  
PartnerOne

**Customer Support**

Power cord replacement  
Download drivers  
Register your product  
Authorized service providers  
Training & certification  
Product recycling

---

[Home](#) | [Email sign-up](#) | [Site map](#) | [Privacy](#) | [Cookies & ad choices](#) | [Terms of use](#) | [Recalls](#)

© 2014 Hewlett-Packard Development Company, L.P.

[View mobile site](#)