

TABLE OF CONTENTS

1. INTRODUCTION

1.1. PREFACE 1-1

1.2. KEY FEATURES 1-1

1.3. PERFORMANCE LIST 1-2

1.4. BLOCK DIAGRAM..... 1-3

1.5. INTRODUCE THE Pentium® II Processor & AGP 1-4

1.6. What is AGP? 1-6

2. SPECIFICATION

2.1. HARDWARE 2-1

2.2. SOFTWARE 2-2

2.3. ENVIRONMENT 2-2

3. HARDWARE INSTALLATION

3.1. UNPACKING 3-1

3.2. MAINBOARD LAYOUT 3-2

3.3. QUICK REFERENCE FOR JUMPERS & CONNECTORS 3-2

3.4. DRAM INSTALLATION 3-6

3.5. CPU SPEED SETUP 3-6

3.6. CMOS RTC & ISA CFG CMOS SRAM 3-8

3.7. SPEAKER CONNECTOR INSTALLATION 3-8

3.8. HARDWARE RESET SWITCH CONNECTOR INSTALLATION 3-8

3.9. POWER LED CONNECTOR INSTALLATION 3-8

3.10. IDE & ATAPI DEVICE INSTALLATION3-9
3.11. PERIPHERAL DEVICE INSTALLATION3-9
3.12. KEYBOARD & PS/2 MOUSE INSTALLATION.....3-9

4. BIOS CONFIGURATION

4.1. ENTERING SETUP.....4-1
4.2. CONTROL KEYS4-1
4.3. GETTING HELP4-2
4.4. THE MAIN MENU.....4-2
4.5. STANDARD CMOS SETUP MENU.....4-4
4.6. BIOS FEATURES SETUP4-8
4.7. CHIPSET FEATURES SETUP4-12
4.8. POWER MANAGEMENT SETUP4-17
4.9. PNP/PCI CONFIGURATION4-20
4.10. LOAD BIOS DEFAULTS4-22
4.11. LOAD PERFORMANCE DEFAULTS4-23
4.12. INTEGRATED PERIPHERALS.....4-24
4.13. SUPERVISOR/USER PASSWORD.....4-29
4.14. IDE HDD AUTO DETECTION4-30
4.15. SAVE & EXIT SETUP4-31
4.16. EXIT WITHOUT SAVING4-32

APPENDIX A: On-Board Display Driver Installation

A.1. ATi RAGE PRO DISPLAY DRIVER INSTALLATIONA-1

A.2. YAMAHA SOUND DRIVER INSTALLATION.....A-6

1. INTRODUCTION

1.1. PREFACE

Welcome to use the **6BMM** motherboard. It is a Pentium® II / Celeron Processor based PC / AT compatible system with AGP/ PCI / ISA Bus, and has been designed to be the fastest PC / AT system. There are some new features allow you to operate the system with just the performance you want.

This manual also explains how to install the motherboard for operation, and how to set up your CMOS CONFIGURATION with BIOS SETUP program.

1.2. KEY FEATURES

- ❑ Intel Pentium® II / Celeron Processor based PC / AT compatible mainboard.
- ❑ Slot 1 supports Pentium® II / Celeron processor running at 233-633 MHz.
- ❑ Intel 440BX chipset, Supports SDRAM / Ultra DMA/33 IDE.
- ❑ Built-in **ATI 3D RAGE PRO** 3D graphics acceleration chip.
- ❑ Built-in PCI **YAMAHA** audio chip.
- ❑ Supports external Modem Ring-On on COMA & COMB and internal Modem Ring-On.
- ❑ Supports Wake-up on LAN (JP7).
- ❑ Supports 3xDIMMs using 3.3V SDRAM DIMM module.
- ❑ Supports 8 MB - 768 MB SDRAM memory on board.
- ❑ 3xPCI Bus slots, 1xISA Bus slots.
- ❑ Supports 2 channels Ultra DMA/33 IDE ports for 4 IDE Devices.
- ❑ Supports 2xCOM (16550), 1xLPT (EPP / ECP), 1x Floppy port.
- ❑ Supports 1x Line in, 1x Line Out, 1x Mic in, 2x CD Line in, 1x GAME Port.
- ❑ Supports 2xUSB ports, 1xPS/2 Mouse, 1xPS/2 Keyboard.
- ❑ Licensed AWARD BIOS, 2Mbits FLASH ROM.
- ❑ 24.5 cm x 20 cm Micro-ATX form factor, 4 layers PCB.

1.3. PERFORMANCE LIST

The following performance data list is the testing results of some popular benchmark testing programs.

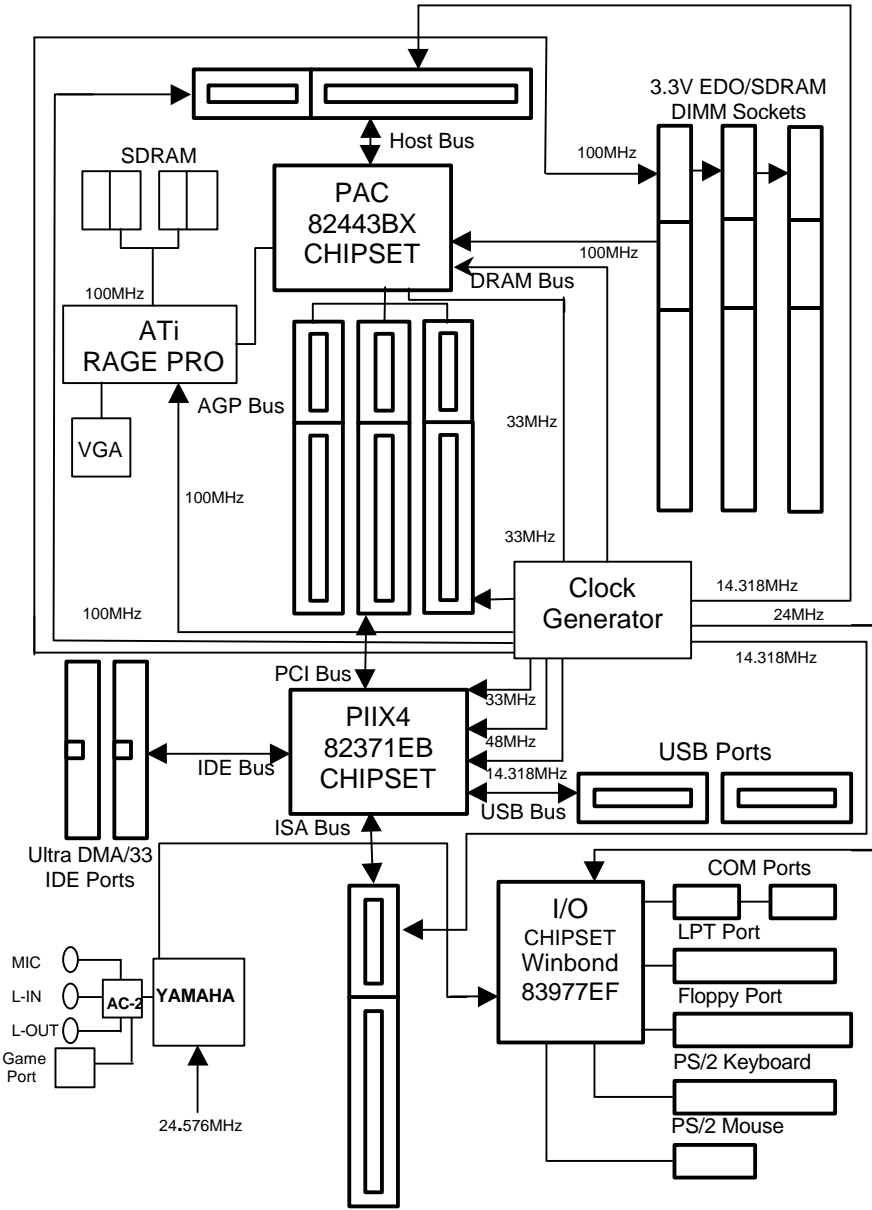
These data are just referred by users, and there is no responsibility for different testing data values gotten by users. (The different Hardware & Software configuration will result in different benchmark testing results.)

- CPU Pentium® II processor
- DRAM (128 x 1) MB SDRAM (SEC KM48S8030BT-GH)
- CACHE SIZE 512 KB included in CPU
- DISPLAY Onboard ATi AGP 3D graphics acceleration chip (8MB SDRAM)
- STORAGE Onboard IDE (Seagate ST34520A)
- O.S. Windows NT™4.0
- DRIVER Display Driver at 1024 x 768 x 64k colors x 75Hz.

TRIONES Bus Master IDE Driver 3.70

Processor	Intel Pentium® II	
	350MHz(100x3.5)	450MHz(100x4.5)
Winbench98		
CPU mark32	909	1130
FPU Winmark	1810	2300
Business Disk	2130	2160
Hi-End Disk	5160	5270
Business Graphics	183	210
Hi-End Graphics	206	246
Winstone98		
Business	33.8	37.6
Hi-End	39.1	43.4

1.4. BLOCK DIAGRAM



1.5. INTRODUCE THE Pentium® II Processor & AGP



Figure 1: Universal Retention Mechanism & attach Mount



Figure 2: Retention Mechanism & attach Mount



Figure 3:OEM Pentium® II Processor

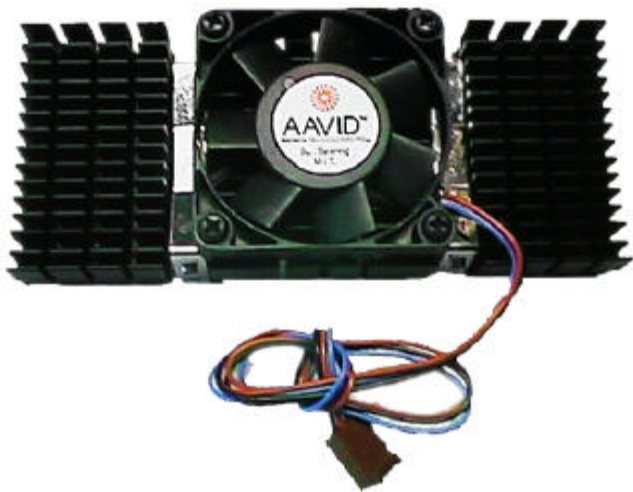


Figure 4:Heatsink / FAN & Heat sink support for OEM Pentium® II Processor

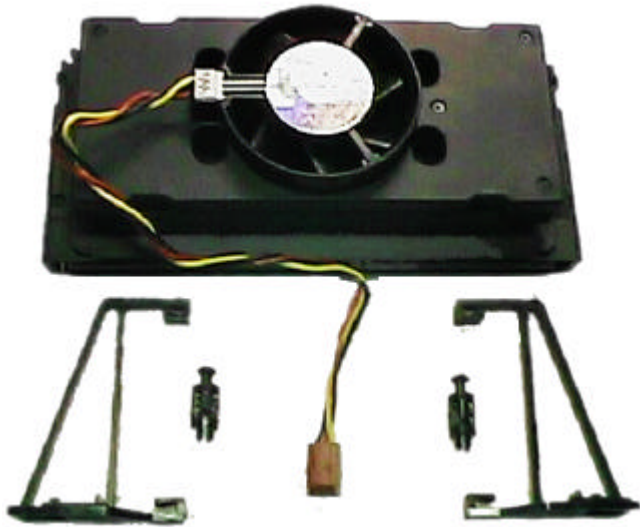


Figure 5: Boxed Pentium® II Processor & Heat sink support

1.6 What is AGP?

The Accelerated Graphics Port (AGP) is a new port on the Host-To-PCI bridge device that supports an AGP port. The main purpose of the AGP port is to provide fast access to system memory.

The AGP port can be used either as fast PCI port (32-bits at 66MHz vs. 32-bits at 33MHz) or as an AGP port which supports 2x data-rate, a read queue, and side band addressing. When the 2x-data rate is used, the port can transmit data at 533MB/sec ($66.6 \times 2 \times 4$). The read-queue can be used to pipeline reads – removing the effects of the reads-latency. Side band addressing can be used to transmit the data address on a separate line in order to speed up the transaction.

2. SPECIFICATION

2.1. HARDWARE

- CPU
 - Pentium® II / Celeron processor 233 – 633 MHz.
 - 242 pins 66/100 MHz slot1 on board.
- SPEED
 - 66/100 MHz system speed.
 - 66 MHz AGP bus speed. (2X mode 133MHz)
 - 33 MHz PCI-Bus speed.
 - 8 MHz AT bus speed.
- DRAM MEMORY
 - 3 banks 168 pins DIMM module sockets on board.
 - Use 8 / 16 / 32 / 64 / 128 / 256 MB DIMM module DRAM.
 - 8 ~ 768MB SDRAM.
 - Supports 3.3V SDRAM.
- CACHE MEMORY
 - 32 KB 1st cache memory included in CPU.
 - 256KB / 512 KB 2nd cache in CPU.
 - Supports DIB speed mode for L2 Cache.
- I/O BUS SLOTS
 - 3 33MHz Master / Slave PCI-BUS.
 - 1 8MHz 16 bits ISA BUS.
- IDE PORTS
 - 2 Ultra DMA 33 Bus Master IDE channels on board.(Using IRQ14,15)
 - Support Mode 3,4 IDE & ATAPI CD – ROM.
- I/O PORTS
 - Supports 2 16550 COM ports.
 - Supports 1 LPT port.
 - Supports 1 Floppy port.
 - Supports 2 USB ports.
 - Supports 1 PS/2 Mouse.
 - Supports 1 PS/2 Keyboard.

- Audio Ports
 - 1x Line in
 - 1x Line out
 - 1x Mic in
 - 1x Game Port
 - 2x CD Line in
- VGA Ports
 - 1x VGA Port.
- GREEN FUNCTION
 - Suspend mode support.
 - Green switch & Green LED support.
 - IDE & Display power down support.
 - Monitor all IRQ / DMA / Display / I/O events.
- BIOS
 - 2M bits FLASH RAM.
 - Supports Plug & Play, DMI Function.
- DIMENSION
 - Micro ATX Form Factor, 4 layers PCB.

2.2. SOFTWARE

- DRIVER
 - Bus Master IDE Driver.
 - INTEL Patch_95 Driver.
 - YAMAHA Sound Driver.
 - ATi 3D RAGE PRO Driver.
 - SIV Driver.
- BIOS
 - Licensed AWARD BIOS.
 - AT CMOS Setup, BIOS / Chipset Setup, Green Setup, Hard Disk Utility included.
- O.S.
 - Operation with MS-DOS®, Windows®95, Windows®98, WINDOWS™ NT, OS/2, NOVELL and SCO UNIX.

2.3. ENVIRONMENT

- Ambient Temp.
 - 0°C to +50°C (Operating).
- Relative Hum.
 - 0 to +85% (Operating).
- Altitude
 - 0 to 10,000 feet (Operating).
- Vibration
 - 0 to 1,000 Hz.
- Electricity
 - 4.9 V to 5.2 V. (Max. 20A current at 5V.)

3. HARDWARE INSTALLATION

3.1. UNPACKING

The mainboard package should contain the following:

- The **6BMM** mainboard.
- The Retention Mechanism & Attach Mount or Universal Retention Mechanism & Attach Mount
- USER'S MANUAL for mainboard.
- Cable set for IDE, Floppy devices.
- CD or diskette for Mainboard ; **BDCM** ; **Bound** and VGA Utility.

The mainboard contains sensitive electric components, which can be easily damaged by static electricity, so the mainboard should be left in its original packing until it is installed.

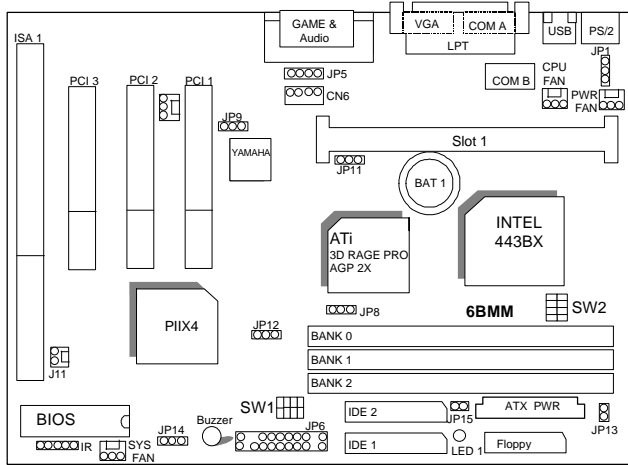
Unpacking and installation should be done on a grounded anti-static mat. The operator should be wearing an anti static wristband, grounded at the same point as the anti-static mat.

Inspect the mainboard carton for obvious damage. Shipping and handling may cause damage to your board. Be sure there are no shipping and handling damages on the board before proceeding.

After opening the mainboard carton, extract the system board and place it only on a grounded anti-static surface component side up. Again inspect the board for damage. Press down on all of the socket IC's to make sure that they are properly seated. Do this only on with the board placed on a firm flat surface.

● **DO NOT APPLY POWER TO THE BOARD IF IT HAS BEEN DAMAGED.**

3.2. MAINBOARD LAYOUT



<Figure 3.1>

3.3. QUICK REFERENCE FOR JUMPERS & CONNECTORS

◆ I/O Ports Connector	
USB	USB port.
IDE1	For Primary IDE port.
IDE2	For Secondary IDE port.
FLOPPY	For Floppy port
PS/2	For PS/2 Keyboard / Mouse port.
COMB	For Serial port2 (COM B).[Support External Modem Ring On.]
COMA	For Serial port1 (COM A).[Support External Modem Ring On.]
LPT	For LPT port.
VGA	For VGA port.
GAME	For GAME port.
AUDIO	For MIC,LINE-IN,LINE-OUT port.
J11	For Internal Modem Ring Power ON port.

◆ Slot 1	
For Pentium® II / Celeron processor installed	

◆ CPU FAN : CPU cooling FAN Power Connector	
Pin No.	Function
1	GND.
2	+12V
3	SENSE

◆ Power FAN :Power FAN Power Connector	
Pin No.	Function
1	GND.
2	+12V
3	NC

◆ System FAN : System FAN Power Connector	
Pin No.	Function
1	GND.
2	+12V
3	NC

◆ JP7 : Wake on Lan	
Pin No.	Function
1	+5V SB
2	GND
3	Signal

◆ IR : INFRARED Connector (IR) --(Optional)	
Pin No.	Function
1	IR Data Output
2	GND
3	IR Data Input
4	Signal
5	POWER (+)

◆ JP8 : Onboard VGA Interrupt Function Selection	
Pin No.	Function
1-2 Close	Onboard VGA Interrupt Function Disabled (Default).
2-3 Close	Onboard VGA Interrupt Function Enabled.

◆ JP12 : Onboard VGA Function Selection	
Pin No.	Function
1-2 Close	Onboard VGA Function Disabled.
2-3 Close	Onboard VGA Function Enabled (Default).

◆ JP9 : Onboard Sound Function Selection	
Pin No.	Function
1-2 Close	Onboard Sound Function Enabled(Default).
2-3 Close	Onboard Sound Function Disabled.

◆ JP1 : Keyboard Power On Selection	
Pin No.	Function
1-2 Close	Enabled Keyboard power on.
2-3 Close	Disabled Keyboard power on (Default).

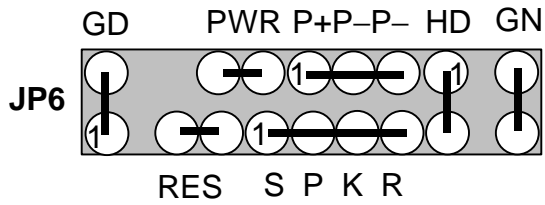
◆ JP14: CLEAR CMOS Function	
Pin No.	Function
1-2 Close	Clear CMOS
2-3 Close	Normal operation (Default).

◆ JP13: Suspend To RAM Function (Optional).	
Pin No.	Function
OPEN	Normal operation(Default).
Close	Enabled Suspend To RAM.

◆ JP11: System Acceleration	
Pin No.	Function
1-2 short	For 100MHz Turbo and other frequencies
2-3 short	For 100MHz Normal (Default).

◆ J11: RING PWR ON	
Pin No.	Function
1	Signal
2	GND

JP6 : For 2X11 PINs Jumper



Soft PWR: Soft Power Connector



Open: Normal Operation
Short: Power On/Off

RES: Reset Switch



Open: Normal Operation
Short: For Hardware Reset System

P+P- P- : Power LED



PIN 1 : anode (+)
PIN 2 : cathode (-)
PIN 3 : cathode (-)

SPKR: Speaker Connector



PIN 1 : VCC (+)
PIN 2 : VCC (-)
PIN 3 : Data
PIN 4 : Data (-)

S PKR : Internal Speaker Connector (Default)



PIN 1 : VCC (+)
PIN 2-PIN3 : Short

PIN 4 : Data (-)

HD: IDE Hard Disk Active LED



PIN 1: LED anode (+)
PIN 2: LED cathode (-)

GN: Green Function Switch



Open : Normal operation
Short : Entering Green Mode

GD: Green LED



PIN 1 : LED anode (+)
PIN 2 : LED cathode (-)

3.4. DRAM INSTALLATION

The mainboard can be installed with 8 / 16 / 32 / 64 / 128 / 256 MB 168 pins DIMM module DRAM, and the DRAM speed must be 67~100 MHz for SDRAM. The DRAM memory system on mainboard consists of bank 0 , bank 1& bank 2.

Since 168 pins DIMM module is 64 bits width, using 1 PCS which can match a 64 bits system. The total memory size is 8MB ~ 768MB / 256MB SDRAM. The DRAM installation position refer to Figure 3.1, and notice the Pin 1 of DIMM module must match with the Pin 1 of DIMM socket. Insert the DRAM DIMM module into the DIMM socket at Vertical angle. If there is a wrong direction of Pin 1, the DRAM DIMM module couldn't be inserted into socket completely.

3.5. CPU SPEED SETUP

The default system bus speed is 66 / 100MHz (**SW2**). The user can change the DIP SWITCH (**SW1**) selection to set up the CPU speed for 233 - 633MHz processor. The CPU speed must match with the frequency RATIO. It will cause system hanging up if the frequency RATIO is higher than CPU's.

SW2:

CPU	AGP	PCI	1	2	3	4
66	66	33.4	ON	OFF	OFF	ON
75	75	37.5	ON	ON	OFF	ON
83	83	41.6	ON	OFF	ON	ON
100	66	33.4	OFF	OFF	OFF	OFF
112	75	37.5	OFF	ON	OFF	OFF
133	89	33.3	OFF	OFF	ON	OFF

SW1:

CLK RATIO	1	2	3	4
X3	ON	OFF	ON	ON
X3.5	OFF	OFF	ON	ON
X4	ON	ON	OFF	ON
X4.5	OFF	ON	OFF	ON
X5	ON	OFF	OFF	ON
X5.5	OFF	OFF	OFF	ON
X6	ON	ON	ON	OFF
X6.5	OFF	ON	ON	OFF

DIP SWITCH (SW)				FREQ. RATIO	EXT.CLK. MHz	INT.CLK. MHz	CPU Type
1	2	3	4				
OFF	OFF	ON	ON	3.5	66	233	Pentium® II 233 MHz (Celeron 233MHz)
ON	ON	OFF	ON	4	66	266	Pentium® II 266 MHz (Celeron 266MHz)
OFF	ON	OFF	ON	4.5	66	300	Pentium® II 300 MHz (Celeron 300MHz)
ON	OFF	OFF	ON	5	66	333	Pentium® II 333 MHz (Celeron 333MHz)
OFF	OFF	OFF	ON	5.5	66	366	Pentium® II 366 MHz (Celeron 366MHz)
ON	ON	ON	OFF	6	66	400	Pentium® II 400 MHz (Celeron 400MHz)
OFF	ON	ON	OFF	6.5	66	433	Pentium® II 433 MHz (Celeron 433MHz)
OFF	OFF	ON	ON	3.5	100	350	Pentium® II 350 MHz
ON	ON	OFF	ON	4	100	400	Pentium® II 400 MHz
OFF	ON	OFF	ON	4.5	100	450	Pentium® II 450 MHz

ON	OFF	OFF	ON	5	100	500	Pentium® II 500 MHz
OFF	OFF	OFF	ON	5.5	100	550	Pentium® II 550 MHz
ON	ON	ON	OFF	6	100	600	Pentium® II 600 MHz
OFF	ON	ON	OFF	6.5	100	650	Pentium® II 650 MHz

- The CPU is a sensitive electric component and it can be easily damaged by static electricity, so users must keep it away from metal surface when the CPU is installed onto mainboard.
- We don't recommend you to setup your system speed to 75, 83, 112, or 133MHz because these frequencies are not the standard specifications for CPU, Chipset and most of the peripherals. Whether your system can run under 75, 83, 112 or 133MHz properly will depend on your hardware configurations: CPU, SDRAM, Cards, etc.

3.6. CMOS RTC & ISA CFG CMOS SRAM

The mainboard contains RTC & CMOS SRAM on board. They have a power supply from external battery to keep the DATA inviolate & effective. The RTC is a REAL-TIME CLOCK device, which provides the DATE & TIME to system. The CMOS SRAM is used for keeping the information of system configuration, so the system can automatically boot OS every time. Since the lifetime of internal battery is 5 years, the user can change a new Battery to replace old one when it has consumed.

3.7. SPEAKER CONNECTOR INSTALLATION

There is a speaker in AT system for sound purpose. The 4 - Pins connector **SPKR** is used to connect speaker. Anode connects +, Cathode connects -.

3.8. HARDWARE RESET SWITCH CONNECTOR INSTALLATION

The RESET switch on panel provides users with HARDWARE RESET function. The system will do a cold start after the RESET switch is press and released by user. The RESET switch is a 2 PINS connector and should be installed to **RES** on mainboard.

3.9. POWER LED CONNECTOR INSTALLATION

System has power LED lamp on the panel of case. The power LED will light on off or flash to indicate which step on the system. The connector should be connected to **LED** of mainboard in correct direction.

3.10. IDE & ATAPI DEVICE INSTALLATION

There are two-Enhanced PCI IDE ports (**IDE1, IDE2**) on board, which following ATAPI standard SPEC. Any one IDE port can connected to two ATAPI devices (IDE Hard Disk, CD-ROM & Tape Driver), so total four ATAPI devices can exist in a system. The **HD** is the active LED port for ATAPI devices.

3.11. PERIPHERAL DEVICE INSTALLATION

After the I/O device installation and jumpers setup, the mainboard can be mounted into the case and fixed by screw. To complete the mainboard installation, the peripheral device could be installed now. The basic system needs a display interface card. If the PCI - Bus device is to be installed in the system, any one of four PCI - Bus slots can be used.

3.12.PS/2 KEYBOARD & MOUSE INSTALLATION

The main board supports PS/2 Mouse. The BIOS will auto detect whether the PS/2 Mouse is installed or not & assign IRQ12 for PS/2 Mouse port if it is installed. After installing the peripheral device, the user should check everything again, and prepare to power-on the system.

4. BIOS CONFIGURATION

Award's BIOS ROM has a built-in Setup program that allows users to modify the basic system configuration. This type of information is stored in battery-backed CMOS SRAM so that it retains the Setup information when the power is turned off.

4.1. ENTERING SETUP

Power ON the computer and press immediately will allow you to enter Setup. If the message disappears before you respond and you still wish to enter Setup, restart the system to try again by turning it OFF then ON or pressing the "RESET" button on the system case. You may also restart by simultaneously press <Ctrl>, <Alt>, and keys.

4.2. CONTROL KEYS

Up arrow	Move to previous item
Down arrow	Move to next item
Left arrow	Move to the item in the left hand
Right arrow	Move to the item in the right hand
Esc key	Main Menu - Quit and not save changes into CMOS Status Page Setup Menu and Option Page Setup Menu - Exit current page and return to Main Menu
PgUp key	Increase the numeric value or make changes
PgDn key	Decrease the numeric value or make changes
F1 key	General help, only for Status Page Setup Menu and Option Page Setup Menu
F2 key	Change color from total 16 colors
F3 key	Reserved
F4 key	Reserved
F5 key	Restore the previous CMOS value from CMOS, only for Option Page Setup Menu
F6 key	Load the default CMOS value from BIOS default table, only for Option Page Setup Menu
F7 key	Load the default
F8 key	Reserved
F9 key	Reserved
F10 key	Save all the CMOS changes, only for Main Menu