

NORTHGATE COMPUTER SYSTEMS, INC.

ELEGANCE SP

... continued from previous page

USER CONFIGURABLE SETTINGS		
Function	Jumper	Position
í Bus speed select	W1	N/A
í Floppy drive write precomp select alternate	W2	pins 2 & 3 closed
Floppy drive write precomp select normal	W2	pins 1 & 2 closed
í CPU speed select	W3	N/A
í Monitor type select monochrome	W4	pins 1 & 2 closed
Monitor type select color	W4	pins 2 & 3 closed
í CMOS memory normal operation	W7	Open
CMOS memory clear	W7	Closed
í Parallel port mode select bi-directional	W13	pins 2 & 3 closed
Parallel port mode select input only	W13	pins 1 & 2 closed
í Floppy drive mode select single speed	W18	pins 1 & 2 closed
Floppy drive mode select dual speed	W18	pins 2 & 3 closed
í BIOS type select	W19	N/A
í Factory configured - do not alter	SW1 pins 1 & 2	N/A
í VGA BIOS shadowing enabled	SW1 pins 7 & 8	Closed
VGA BIOS shadowing disabled	SW1 pins 7 & 8	Open
í Factory configured - do not alter	SW1 pins 9 & 10	Open
í BIOS shadowing enabled	SW1 pins 11 & 12	Closed
BIOS shadowing disabled	SW1 pins 11 & 12	Open
í Floppy drive interface enabled	SW3 pins 1 & 2	Open
Floppy drive interface disabled	SW3 pins 1 & 2	Closed
Note: Jumpers W1, W3 and W19 are factory configured and should not be altered.		

DRAM CONFIGURATION				
Size	Bank 0	Bank 1	Bank 2	Bank 3
1MB	(4) 256K x 9	NONE	NONE	NONE
2MB	(4) 256K x 9	(4) 256K x 9	NONE	NONE
4MB	(4) 1M x 9	NONE	NONE	NONE
6MB	(4) 256K x 9	(4) 256K x 9	(4) 1M x 9	NONE
8MB	(4) 1M x 9	(4) 1M x 9	NONE	NONE
10MB	(4) 256K x 9	(4) 256K x 9	(4) 1M x 9	(4) 1M x 9
12MB	(4) 1M x 9	(4) 1M x 9	(4) 1M x 9	NONE
16MB	(4) 1M x 9	(4) 1M x 9	(4) 1M x 9	(4) 1M x 9
16MB	(4) 4M x 9	NONE	NONE	NONE
24MB	(4) 1M x 9	(4) 1M x 9	(4) 4M x 9	NONE
32MB	(4) 4M x 9	(4) 4M x 9	NONE	NONE
40MB	(4) 1M x 9	(4) 1M x 9	(4) 4M x 9	(4) 4M x 9
48MB	(4) 4M x 9	(4) 4M x 9	(4) 4M x 9	NONE
64MB	(4) 4M x 9	(4) 4M x 9	(4) 4M x 9	(4) 4M x 9

Continued on next page...

NORTHGATE COMPUTER SYSTEMS, INC.

ELEGANCE SP

... continued from previous page

DRAM JUMPER CONFIGURATION					
Size	SW1	W5	W6	W28	W29
1MB	13 & 14, 15 & 16, 17 & 18, 19 & 20	2 & 3	2 & 3	Open	Open
2MB	13 & 14, 17 & 18, 19 & 20	2 & 3	2 & 3	Open	Open
4MB	13 & 14, 15 & 16, 17 & 18	1 & 2	2 & 3	Open	Open
6MB	15 & 16, 17 & 18, 19 & 20	2 & 3	2 & 3	1 & 2	2 & 3
8MB	13 & 14, 17 & 18	1 & 2	2 & 3	Open	Open
10MB	17 & 18, 19 & 20	2 & 3	2 & 3	1 & 2	2 & 3
12MB	15 & 16, 17 & 18	1 & 2	2 & 3	1 & 2	2 & 3
16MB	17 & 18	1 & 2	2 & 3	1 & 2	2 & 3
16MB	13 & 14, 15 & 16	1 & 2	1 & 2	Open	Open
24MB	15 & 16, 19 & 20	1 & 2	2 & 3	1 & 2	1 & 2
32MB	13 & 14	1 & 2	1 & 2	Open	Open
40MB	19 & 20	1 & 2	2 & 3	1 & 2	1 & 2
48MB	15 & 16	1 & 2	1 & 2	1 & 2	1 & 2
64MB	Open	1 & 2	1 & 2	1 & 2	1 & 2

Note: Pins designated should be in the closed position.

IDE CONFIGURATION		
Setting	SW21	W20
Enabled	Open	Closed
Disabled	Closed	Open

PARALLEL PORT CONFIGURATION	
IRQ	SW3
LPT1/3BCh	pins 9 & 10 closed
LPT1/378h	Open
LPT2/278h	pins 7 & 8 closed
Disabled	pins 7 & 8, 9 & 10 closed

PARALLEL PORT IRQ CONFIGURATION	
IRQ	SW2
IRQ7	pins 7 & 8 closed
IRQ5	pins 5 & 6 closed

SERIAL PORT 1 CONFIGURATION		
Setting	SW2	SW3
Enabled	pins 1 & 2 closed	Open
Disabled	Open	pins 5 & 6 closed

SERIAL PORT 2 CONFIGURATION		
Setting	SW2	SW3
Enabled	pins 3 & 4 closed	Open
Disabled	Open	pins 3 & 4 closed

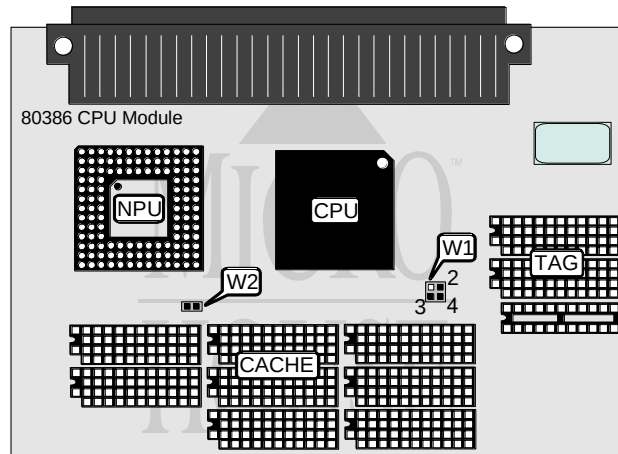
Continued on next page...

NORTHGATE COMPUTER SYSTEMS, INC. ELEGANCE SP

... continued from previous page

BIOS CONFIGURATION	
Size	SW1
F000-FFFF(VGA BIOS disabled)	3 & 4, 5 & 6
F000-FFFF, E000-EFFF (VGA BIOS disabled, BIOS shadowing enabled)	3 & 4
F000-FFFF VGA BIOS at C000-C7FF	5 & 6
F000-FFFF VGA BIOS at C000-C7FF, IDE interface at C800-CFFF	5 & 6

Note : Pins designated should be in the closed position.



USER CONFIGURABLE SETTINGS		
Function	Jumper	Position
í Factory configured - do not alter	W2	N/A

CACHE CONFIGURATION		
Size	Bank 0	Tag
64KB	(8) 16K x 4	(3) 16K x 4
256KB	(8) 64K x 4	(2) 64K x 4

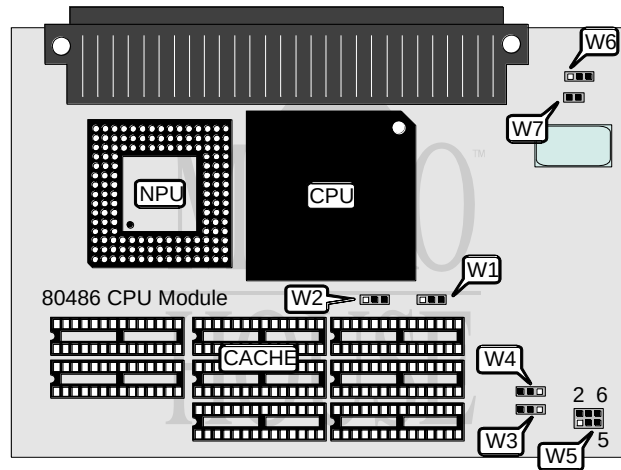
CACHE JUMPER CONFIGURATION	
Size	W1
64KB	Open
256KB	pins 1 & 2, 3 & 4 closed

Continued on next page...

NORTHGATE COMPUTER SYSTEMS, INC.

ELEGANCE SP

... continued from previous page



USER CONFIGURABLE SETTINGS		
Function	Jumper	Position
í Factory configured - do not alter	W6	N/A
í Factory configured - do not alter	W7	N/A

CACHE CONFIGURATION	
Size	Bank 0
64KB	(8) 8K x 8
256KB	(8) 32K x 8

CACHE JUMPER CONFIGURATION			
Size	W1	W2	W5
64KB	pins 1 & 2 closed	pins 1 & 2 closed	Open
256KB	pins 2 & 3 closed	pins 2 & 3 closed	pins 3 & 4, 5 & 6 closed

BURST MODE CONFIGURATION			
Setting	W3	W4	W5
Enabled	pins 2 & 3 closed	pins 2 & 3 closed	pins 1 & 2 closed
Disabled	pins 1 & 2 closed	pins 1 & 2 closed	Open