

GA-8I848PM(-FS)
P4 Titan Series Motherboard

USER'S MANUAL

Pentium® 4 Processor Motherboard
Rev. 1001

Table of Content

WARNING!	4
Chapter 1 Introduction	5
Features Summary	5
GA-8I848PM(-FS) Motherboard Layout	7
Block Diagram	8
Chapter 2 Hardware Installation Process	9
Step 1: Install the Central Processing Unit (CPU)	10
Step 1-1: CPU Installation	10
Step 1-2: CPU Cooling Fan Installation	11
Step 2: Install Memory Modules	12
Step 3: Install expansion cards	13
Step 4: Install I/O Peripherals Cables	14
Step 4-1: I/O Back Panel Introduction	14
Step 4-2: Connectors Introduction	16
Chapter 3 BIOS Setup	28
The Main Menu (For example: BIOS Ver. : E1)	29
Standard CMOS Features	31
Advanced BIOS Features	34
Integrated Peripherals	35
Power Management Setup	40
PnP/PCI Configurations	42
PC Health Status	43
Frequency/Voltage Control	45
Load Fail-Safe Defaults	46
Load Optimized Defaults	46
Set Supervisor/User Password	47
Save & Exit Setup	48
Exit Without Saving	48

WARNING!



Computer motherboards and expansion cards contain very delicate Integrated Circuit (IC) chips. To protect them against damage from static electricity, you should follow some precautions whenever you work on your computer.

1. Unplug your computer when working on the inside.
2. Use a grounded wrist strap before handling computer components. If you do not have one, touch both of your hands to a safely grounded object or to a metal object, such as the power supply case.
3. Hold components by the edges and try not touch the IC chips, leads or connectors, or other components.
4. Place components on a grounded antistatic pad or on the bag that came with the components whenever the components are separated from the system.
5. Ensure that the ATX power supply is switched off before you plug in or remove the ATX power connector on the motherboard.

Installing the motherboard to the chassis...

If the motherboard has mounting holes, but they **don't** line up with the holes on the base and there are no slots to attach the spacers, do not become alarmed you can still attach the spacers to the mounting holes. Just cut the bottom portion of the spacers (the spacer may be a little hard to cut off, so be careful of your hands). In this way you can still attach the motherboard to the base without worrying about short circuits. Sometimes you may need to use the plastic springs to isolate the screw from the motherboard PCB surface, because the circuit wire may be near by the hole. Be careful, **don't** let the screw contact any printed circuit write or parts on the PCB that are near the fixing hole, otherwise it may damage the board or cause board malfunctioning.

Chapter 1 Introduction

Features Summary

Form Factor	<ul style="list-style-type: none"> • 24.4cm x 24.4cm Micro ATX size form factor, 4 layers PCB
CPU	<ul style="list-style-type: none"> • Socket 478 for Intel® Micro FC-PGA2 Pentium® 4 processor • Support Intel® Pentium® 4 (Northwood, Prescott) processor • Support Intel® Pentium® 4 Processor with HT Technology ** • Intel® Pentium® 4 800/533/400MHz FSB • 2nd cache depends on CPU
Chipset	<ul style="list-style-type: none"> • Chipset Intel 848P HOST/AGP/Controller • ICH5 I/O Controller Hub
Memory	<ul style="list-style-type: none"> • 2 184-pin DDR sockets • Supports DDR400/DDR333/DDR266 DIMM • Supports up to 2GB DDR (Max) • Supports only 2.5V DDR DIMM
I/O Control	<ul style="list-style-type: none"> • Winbond 83627THF
Slots	<ul style="list-style-type: none"> • 1 AGP slot supports 8X/4X(1.5V) mode • 3 PCI slot supports
On-Board IDE	<ul style="list-style-type: none"> • 2 IDE bus master (UDMA33/ATA66/ATA100) IDE ports for up to 4 ATAPI devices • Supports PIO mode3,4 (UDMA 33/ATA66/ATA100) IDE & ATAPI CD-ROM
On-Board Peripherals	<ul style="list-style-type: none"> • 1 Floppy port supports 2 FDD with 360K, 720K, 1.2M, 1.44M and 2.88M bytes • 1 Parallel port supports Normal/EPP/ECP mode • 1 Serial port (COMA) • 8 USB 2.0/1.1 ports (4 x Rear, 4 xFront by cable) • 1 Front Audio connector
Hardware Monitor	<ul style="list-style-type: none"> • CPU/System FAN Revolution detect • CPU/System temperature detect • System voltage detect • CPU fan fail warning
Serial ATA	<ul style="list-style-type: none"> • 2 Serial ATA connectors (SATA0/SATA1) in 150 MB/s operation mode • Controlled by ICH5

to be continued.....

On-Board LAN	<ul style="list-style-type: none"> • RealTek RTL8100C (10/100 Mbit) • 1 RJ45 port
On-Board Sound	<ul style="list-style-type: none"> • Realtek ALC655 CODEC • Support Jack-Sensing • Line Out / 2 front speaker • Line In / 2 rear speaker(by s/w switch) • Mic In / center& subwoofer(by s/w switch) • SPDIF Out • CD_In / AUX_In
PS/2 Connector	<ul style="list-style-type: none"> • PS/2 Keyboard interface and PS/2 Mouse interface
BIOS	<ul style="list-style-type: none"> • Licensed Award BIOS • Supports Q-Flash
Additional Features	<ul style="list-style-type: none"> • PS/2 Keyboard power on by password • PS/2 Mouse power on • STR (Suspend-To-RAM) • AC Recovery • Poly fuse for keyboard over-current protection • USB KB/Mouse wake up from S3 • Supports @BIOS • Supports EasyTune 4
Overclocking	<ul style="list-style-type: none"> • Over Clock (DDR/AGP/CPU/PCI) by BIOS



**** HT functionality requirement content :

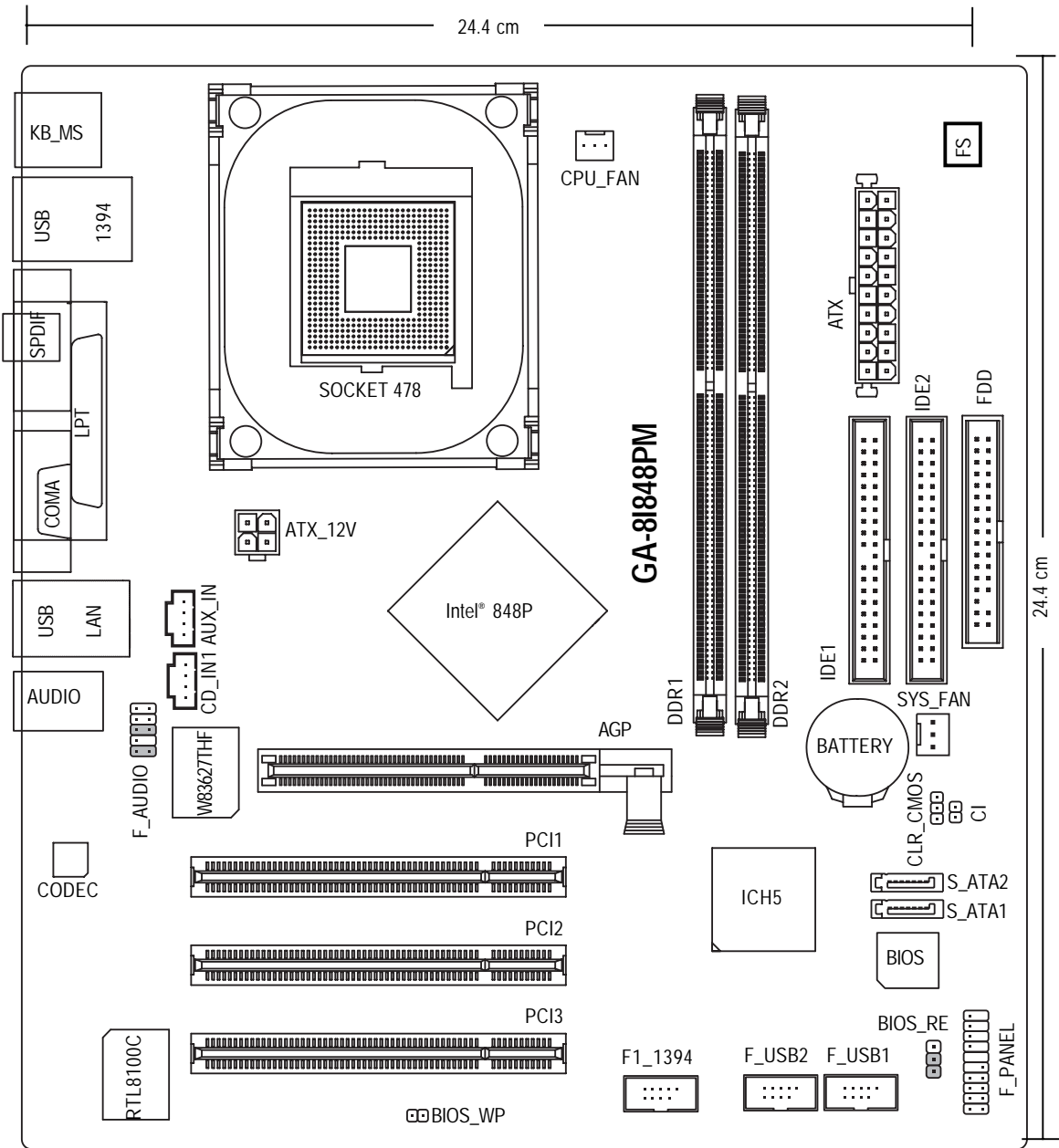
Enabling the functionality of Hyper-Threading Technology for your computer system requires all of the following platform components:

- CPU: An Intel® Pentium 4 Processor with HT Technology
- Chipset: An Intel® Chipset that supports HT Technology
- BIOS: A BIOS that supports HT Technology and has it enabled
- OS: An operation system that has optimizations for HT Technology

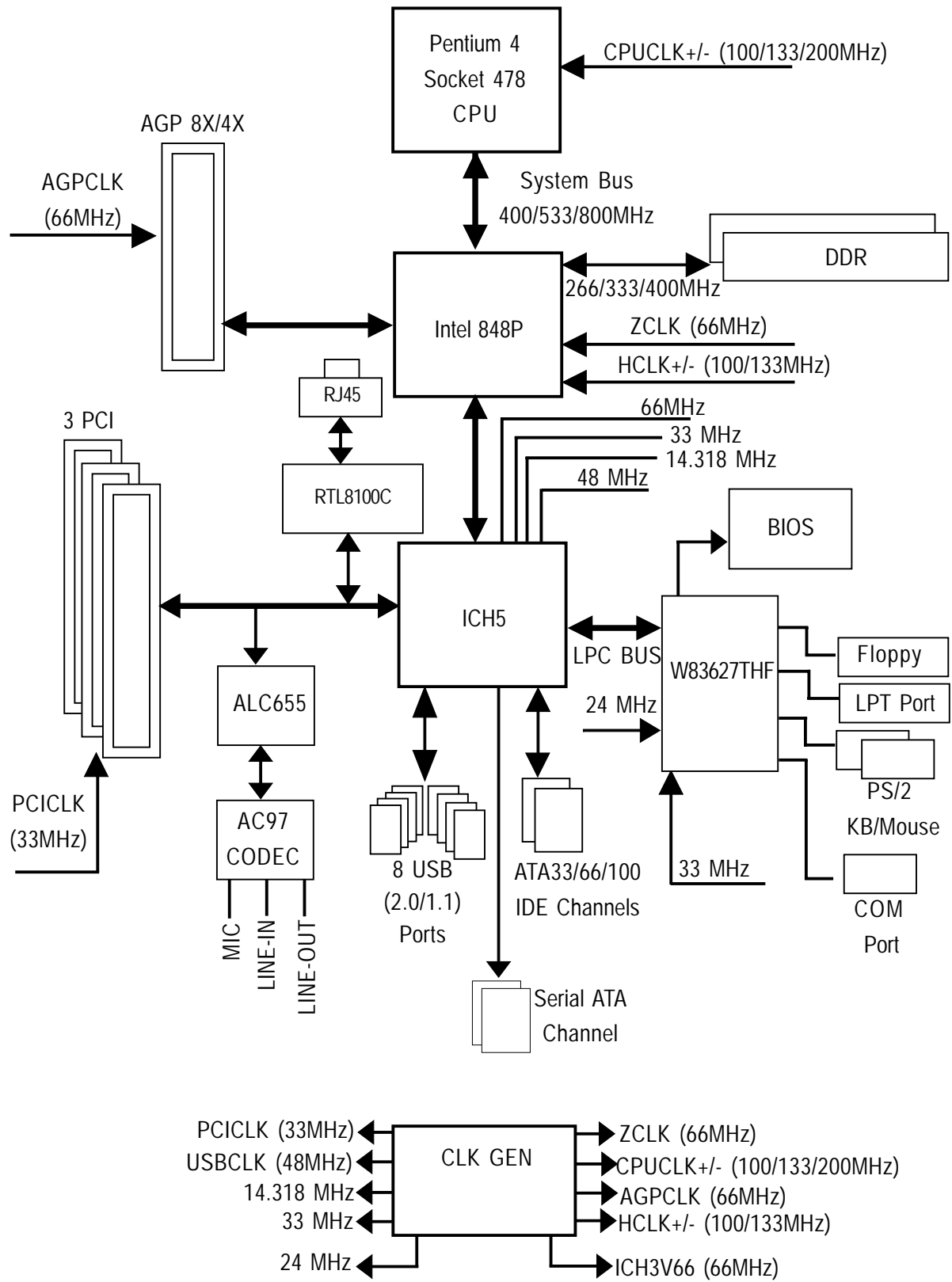


Please set the CPU host frequency in accordance with your processor's specifications. We don't recommend you to set the system bus frequency over the CPU's specification because these specific bus frequencies are not the standard specifications for CPU, chipset and most of the peripherals. Whether your system can run under these specific bus frequencies properly will depend on your hardware configurations, including CPU, Chipsets, Memory, Cards...etc.

GA-8I848PM(-FS) Motherboard Layout



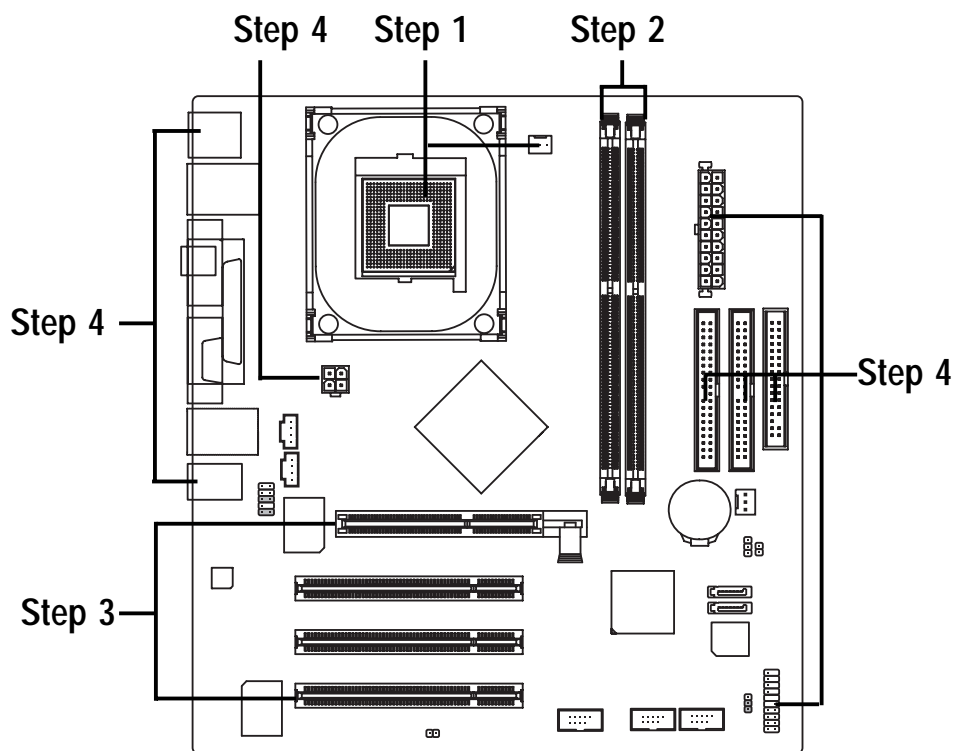
Block Diagram



Chapter 2 Hardware Installation Process

To set up your computer, you must complete the following steps:

- Step 1- Install the Central Processing Unit (CPU)
- Step 2- Install memory modules
- Step 3- Install expansion cards
- Step 4- Install I/O Peripherals Cables



Congratulations! You have accomplished the hardware installation!

Turn on the power supply or connect the power cable to the power outlet. Continue with the BIOS/software installation.

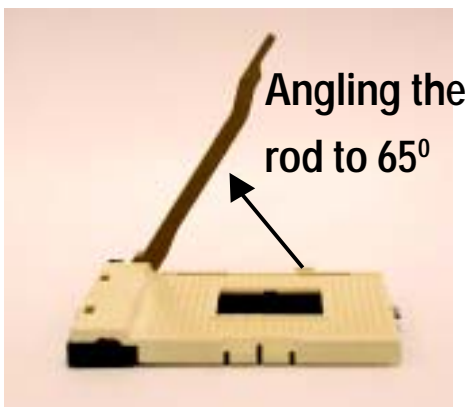
Step 1: Install the Central Processing Unit (CPU)



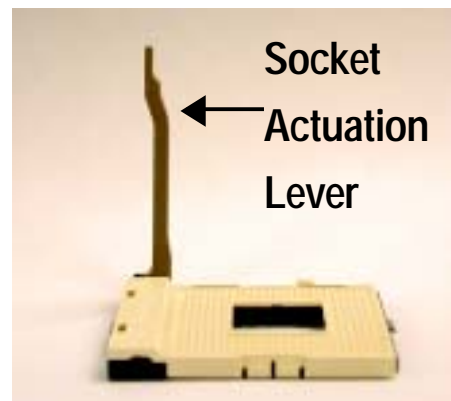
Before installing the processor, adhere to the following warning:

1. Please make sure the CPU type is supported by the motherboard.
2. If you do not match the CPU socket Pin 1 and CPU cut edge well, it will cause improper installation. Please change the insert orientation.

Step 1-1: CPU Installation



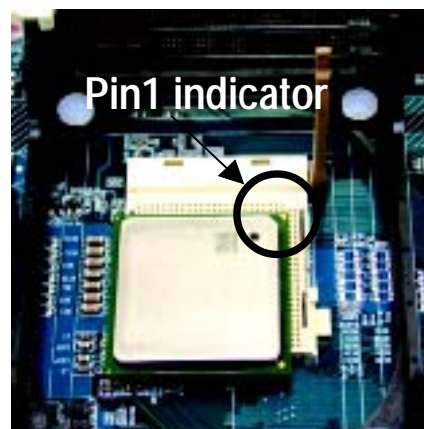
1. Angling the rod to 65-degree maybe feel a kind of tight , and then continue pull the rod to 90-degree when a noise "cough" made.



2. Pull the rod to the 90-degree directly.



3. CPU Top View



4. Locate Pin 1 in the socket and look for a (golden) cut edge on the CPU upper corner. Then insert the CPU into the socket.

Step 1-2: CPU Cooling Fan Installation



Before installing the CPU cooling fan, adhere to the following warning:

1. Please use Intel approved cooling fan.
2. We recommend you to apply the thermal tape to provide better heat conduction between your CPU and cooling fan.

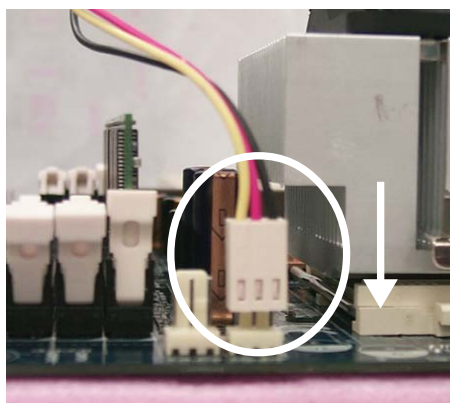
(The CPU cooling fan might stick to the CPU due to the hardening of the thermal paste. During this condition if you try to remove the cooling fan, you might pull the processor out of the CPU socket along with the cooling fan, and might damage the processor. To avoid this from happening, we suggest you to either use thermal tape instead of thermal paste, or remove the cooling fan with extreme caution.)

3. Make sure the CPU fan power cable is plugged in to the CPU fan connector, this completes the installation.

Please refer to CPU cooling fan user's manual for more detail installation procedure.



1. Fasten the cooling fan supporting-base onto the CPU socket on the motherboard.



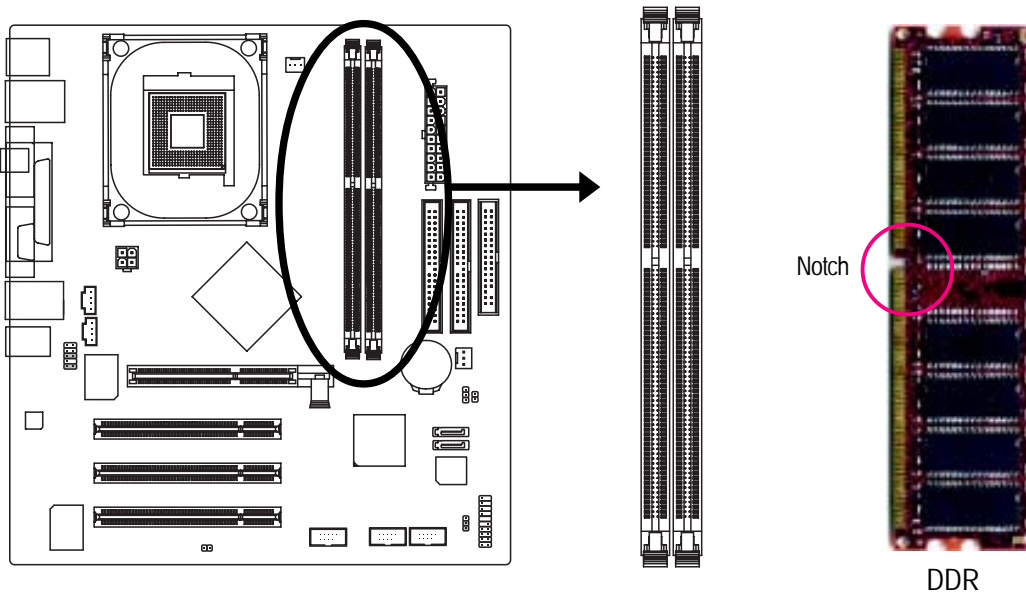
2. Make sure the CPU fan is plugged to the CPU fan connector, than install complete.

Step 2: Install Memory Modules

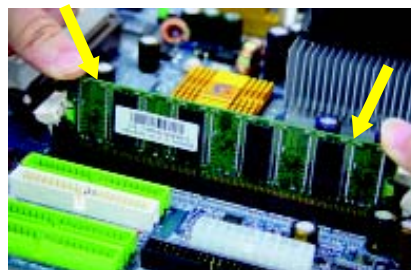
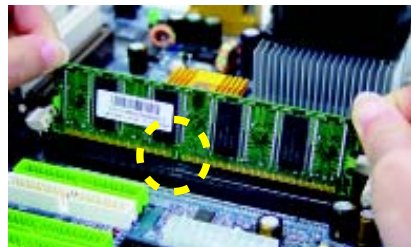


Before installing the memory modules, adhere to the following warning:
 1. Please note that the DIMM module can only fit in one direction due to the one notch. Wrong orientation will cause improper installation. Please change the insert orientation.

The motherboard has 2 dual inline memory module (DIMM) sockets. The BIOS will automatically detects memory type and size. To install the memory module, just push it vertically into the DIMM socket. The DIMM module can only fit in one direction due to the notch. Memory size can vary between sockets.



1. The DIMM slot has a notch, so the DIMM memory module can only fit in one direction.
2. Insert the DIMM memory module vertically into the DIMM slot. Then push it down.
3. Close the plastic clip at both edges of the DIMM slots to lock the DIMM module. Reverse the installation steps when you wish to remove the DIMM module.



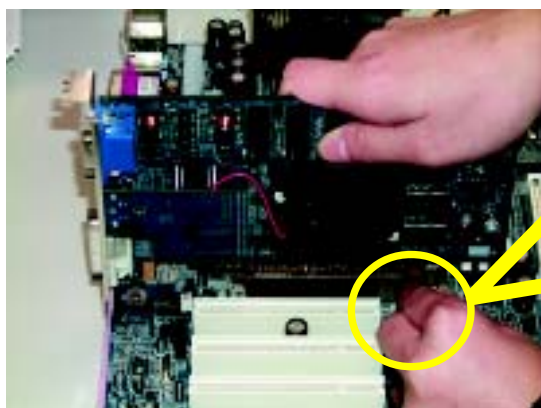
DDR Introduction

Established on the existing SDRAM infrastructure, DDR (Double Data Rate) memory is a high performance and cost-effective solution that allows easy adoption for memory vendors, OEMs, and system integrators.

DDR memory is a great evolutionary solution for the PC industry that builds on the existing SDRAM architecture, yet make the awesome advances in solving the system performance bottleneck by doubling the memory bandwidth. Nowadays, with the highest bandwidth of 3.2GB/s of DDR400 memory and complete line of DDR400/333/266/200 memory solutions, DDR memory is the best choice for building high performance and low latency DRAM subsystem that are suitable for servers, workstations, and full range of desktop PCs.

Step 3: Install expansion cards

1. Read the related expansion card's instruction document before install the expansion card into the computer.
2. Remove your computer's chassis cover, screws and slot bracket from the computer.
3. Press the expansion card firmly into expansion slot in motherboard.
4. Be sure the metal contacts on the card are indeed seated in the slot.
5. Replace the screw to secure the slot bracket of the expansion card.
6. Replace your computer's chassis cover.
7. Power on the computer, if necessary, setup BIOS utility of expansion card from BIOS.
8. Install related driver from the operating system.

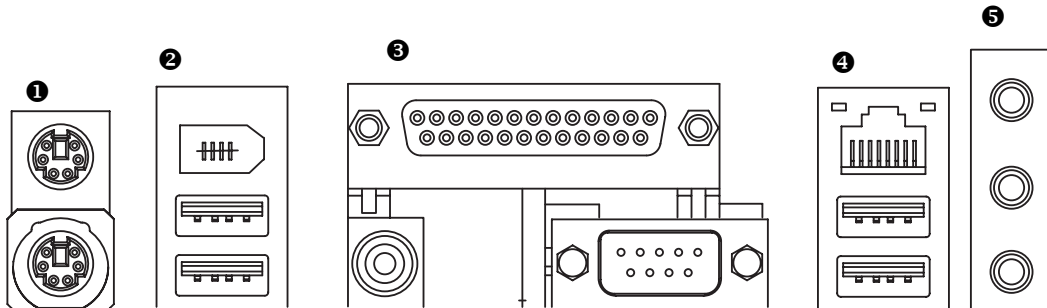


AGP Card

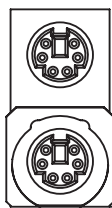
Please carefully pull out the small white-drawable bar at the end of the AGP slot when you try to install/ Uninstall the AGP card. Please align the AGP card to the onboard AGP slot and press firmly down on the slot .Make sure your AGP card is locked by the small white- drawable bar.

Step 4: Install I/O Peripherals Cables

Step 4-1: I/O Back Panel Introduction



❶ PS/2 Keyboard and PS/2 Mouse Connector

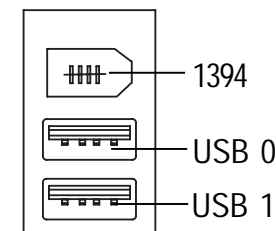


PS/2 Mouse Connector
(6 pin Female)

PS/2 Keyboard Connector
(6 pin Female)

- This connector supports standard PS/2 keyboard and PS/2 mouse.

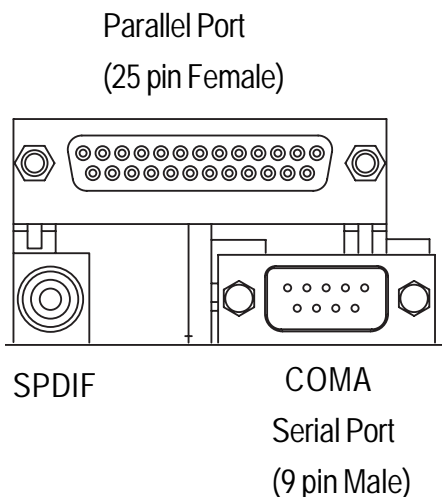
❸ USB / 1394 Connector



- Before you connect your device(s) into USB connector(s), please make sure your device(s) such as USB keyboard, mouse, scanner, zip, speaker..etc. Have a standard USB interface. Also make sure your OS supports USB controller. If your OS does not support USB controller, please contact OS vendor for possible patch or driver upgrade. For more information please contact your OS or device(s) vendors.

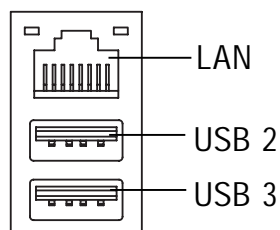
- Serial interface standard set by Institute of Electrical and Electronics Engineers, which has features like high speed, highbandwidth and hot plug. Be careful with the polarity of the IEEE1394 connector. Check the pin assignment carefully while you connect the IEEE1394 cable, incorrect connection between the cable and connector will make the device unable to work or even damage it. For optional IEEE1394 cable, please contact your local dealer.

③ Parallel Port, Serial Port and SPDIF (LPT/COMA/SPDIF)



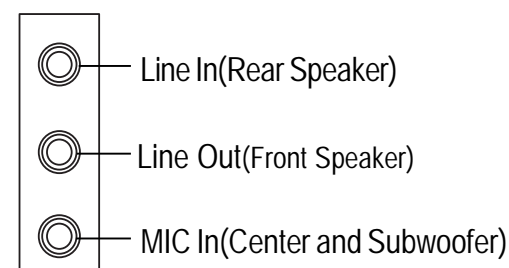
- This connector supports 1 standard COM port, 1 Parallel port and 1 SPDIF. Device like printer can be connected to Parallel port; mouse and modem etc can be connected to Serial ports. The SPDIF output is capable of providing digital audio to external speakers or compressed AC3 data to an external Dolby Digital Decoder.

④ USB / LAN Connector



- LAN is fast Ethernet with 10/100 Mbps speed.
- Before you connect your device(s) into USB connector(s), please make sure your device(s) such as USB keyboard, mouse, scanner, zip, speaker...etc. Have a standard USB interface. Also make sure your OS supports USB controller. If your OS does not support USB controller, please contact OS vendor for possible patch or driver upgrade. For more information please contact your OS or device(s) vendors.

⑤ Audio Connectors



- After install onboard audio driver, you may connect speaker to Line Out jack, micro phone to MIC In jack. Device like CD-ROM, walkman etc can be connected to Line-In jack. Please note: You are able to use 2-/4-/6- channel audio feature by S/W selection. If you want to enable 6-channel function, you have 2 choose for hardware connection.

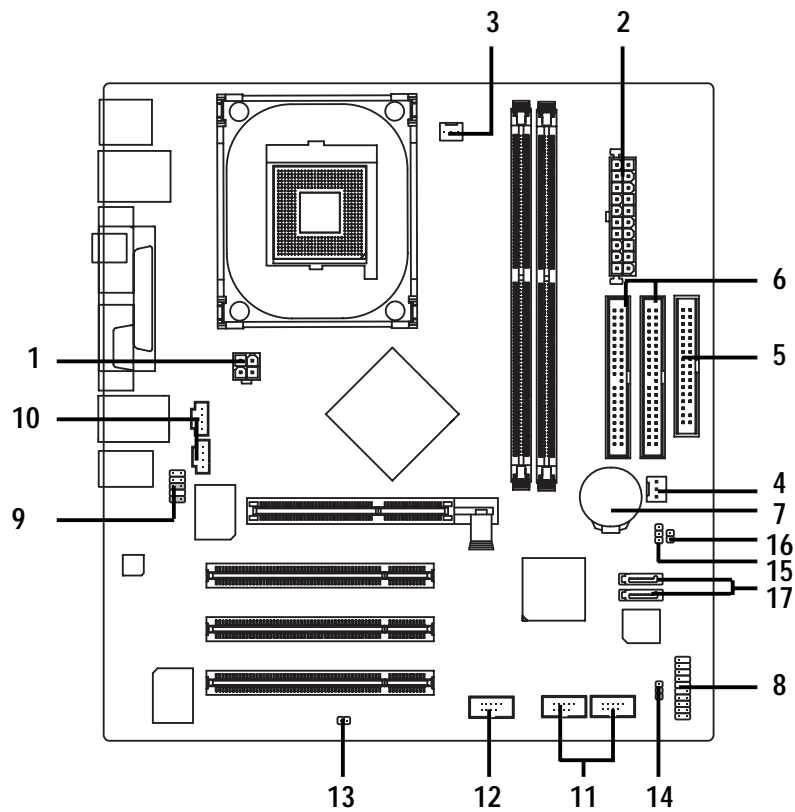
Method1:

Connect "Front Speaker" to "Line Out"
Connect "Rear Speaker" to "Line In"
Connect "Center and Subwoofer" to "MIC Out".

Method2:

You can refer to page 24, and contact your nearest dealer for optional SUR_CEN cable.

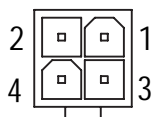
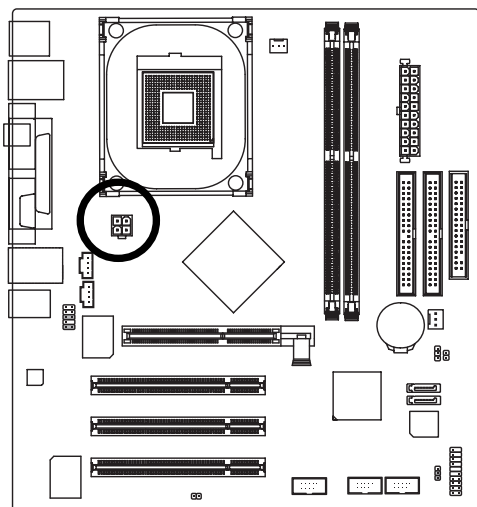
Step 4-2: Connectors Introduction



1) ATX_12V	10) CD_IN1/AUX_IN
2) ATX	11) F_USB1/F_USB2
3) CPU_FAN	12) F1_1394
4) SYS_FAN	13) BIOS_WP
5) FDD	14) BIOS_RE
6) IDE1/IDE2	15) CLR_CMOS
7) BATTERY	16) CI
8) F_PANEL	17) S_ATA1/S_ATA2
9) F_AUDIO	

1) ATX_12V (+12V Power Connector)

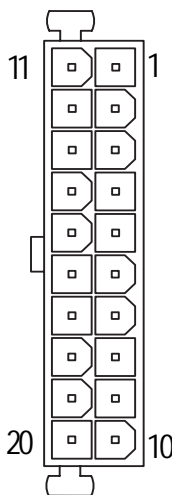
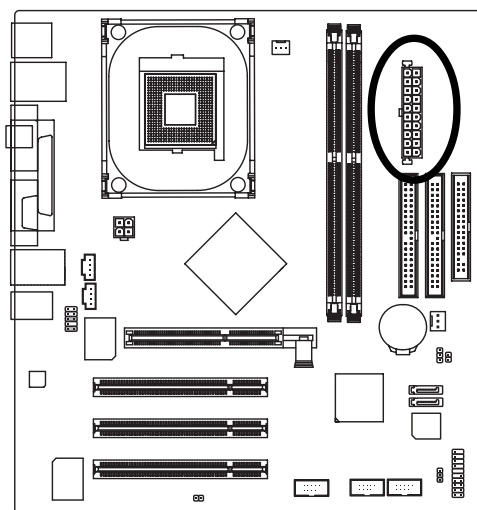
This connector (ATX_12V) supplies the CPU operation voltage (Vcore).
If this "ATX_12V connector" is not connected, system cannot boot.



Pin No.	Definition
1	GND
2	GND
3	+12V
4	+12V

2) ATX (ATX Power)

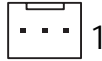
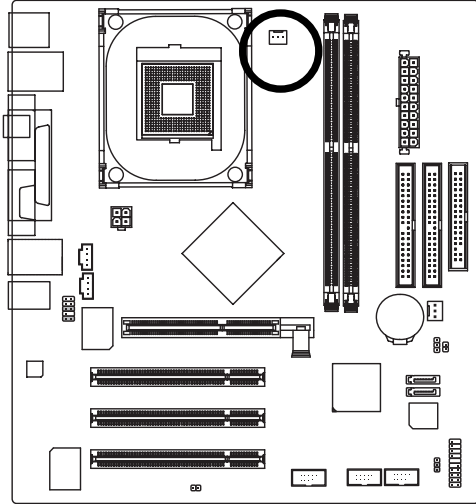
AC power cord should only be connected to your power supply unit after ATX power cable and other related devices are firmly connected to the mainboard.



Pin No.	Definition
1	3.3V
2	3.3V
3	GND
4	VCC
5	GND
6	VCC
7	GND
8	Power Good
9	5V SB (stand by +5V)
10	+12V
11	3.3V
12	-12V
13	GND
14	PS_ON(soft on/off)
15	GND
16	GND
17	GND
18	-5V
19	VCC
20	VCC

3) CPU_FAN (CPU Fan Connector)

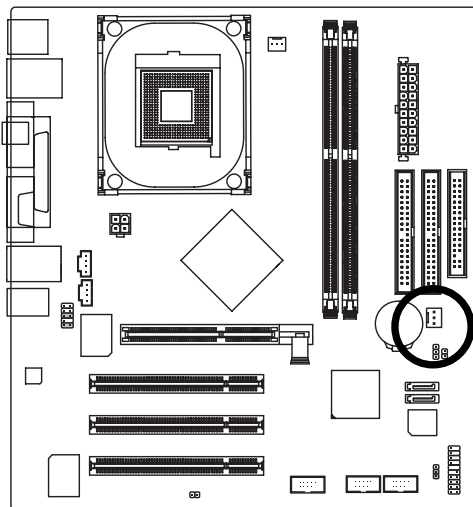
Please note, a proper installation of the CPU cooler is essential to prevent the CPU from running under abnormal condition or damaged by overheating. The CPU fan connector supports Max. current up to 600 mA.



Pin No.	Definition
1	GND
2	+12V
3	Sense

4) SYS_FAN (System FAN Connector)

This connector allows you to link with the cooling fan on the system case to lower the system temperature.

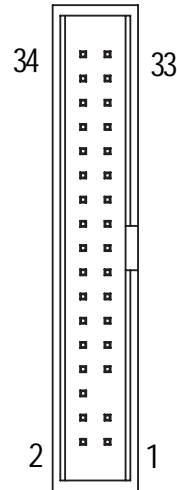
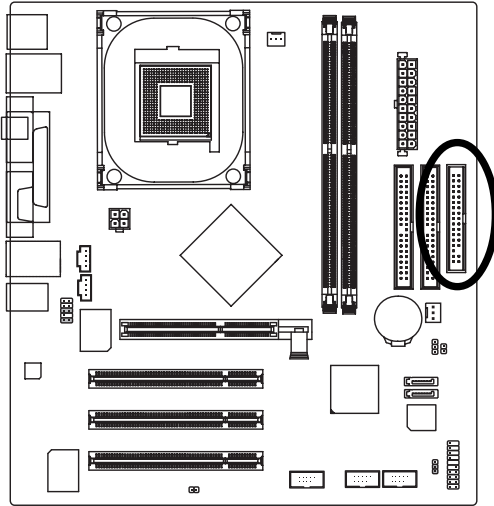


Pin No.	Definition
1	GND
2	+12V
3	Sense

5) FDD (Floppy Connector)

Please connect the floppy drive ribbon cables to FDD. It supports 360K, 1.2M, 720K, 1.44M and 2.88M bytes floppy disk types.

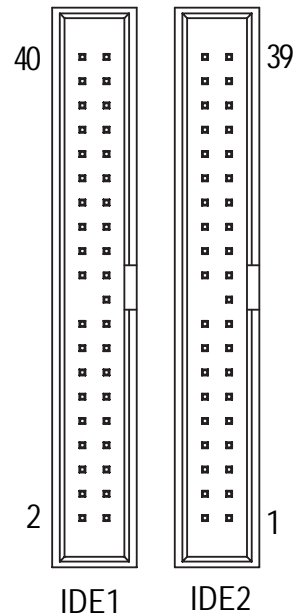
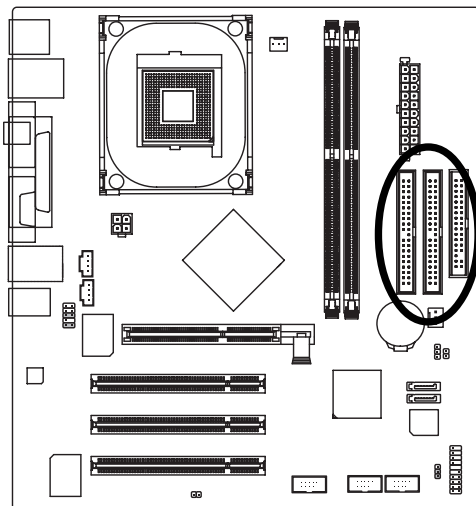
The red stripe of the ribbon cable must be the same side with the Pin1.



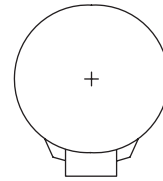
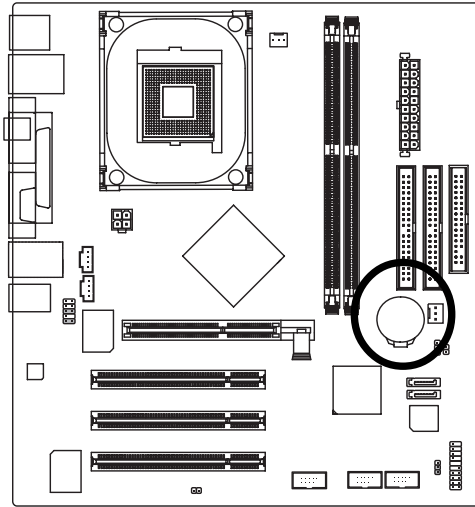
6) IDE1 / IDE2 (IDE1 / IDE2 Connector)

Please connect first hard disk to IDE1 and connect CD-ROM to IDE2.

The red stripe of the ribbon cable must be the same side with the Pin1.



7) BATTERY



CAUTION

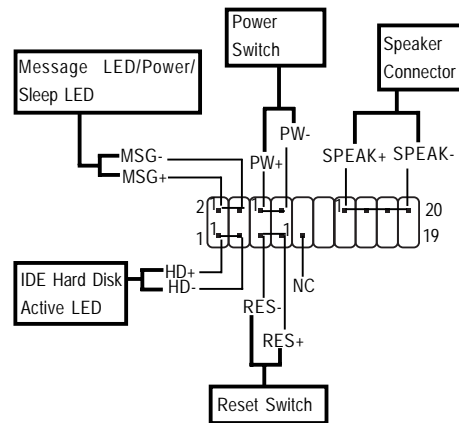
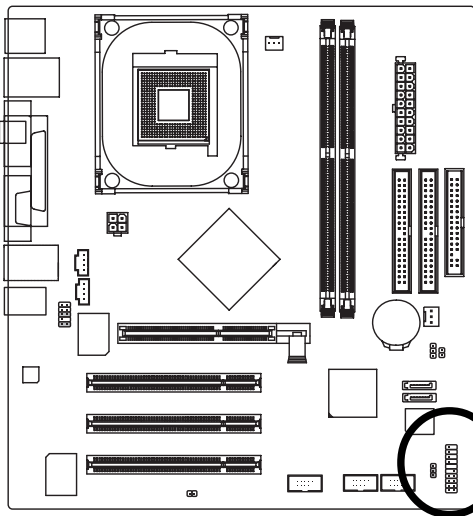
- ❖ Danger of explosion if battery is incorrectly replaced.
- ❖ Replace only with the same or equivalent type recommended by the manufacturer.
- ❖ Dispose of used batteries according to the manufacturer's instructions.

If you want to erase CMOS...

1. Turn OFF the computer and unplug the power cord.
2. Remove the battery, wait for 30 second.
3. Re-install the battery.
4. Plug the power cord and turn ON the computer.

8) F_PANEL (2 x 10 pins Connector)

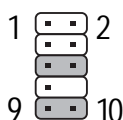
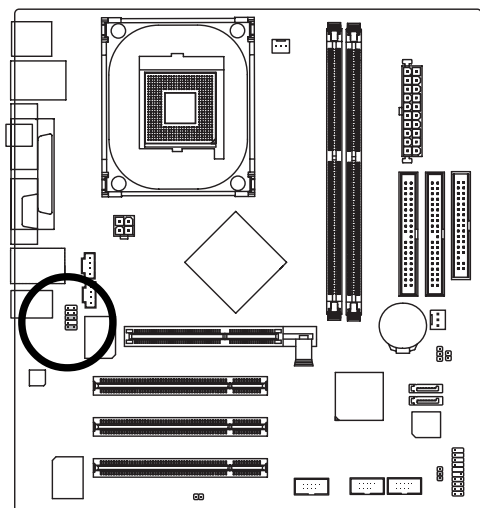
Please connect the power LED, PC speaker, reset switch and power switch etc of your chassisfront panel to the F_PANEL connector according to the pin assignment below.



HD (IDE Hard Disk Active LED)	Pin 1: LED anode(+) Pin 2: LED cathode(-)
SPEAK (Speaker Connector)	Pin 1: VCC(+) Pin 2- Pin 3: NC Pin 4: Data(-)
RES (Reset Switch)	Open: Normal Operation Close: Reset Hardware System
PW (Power Switch)	Open: Normal Operation Close: Power On/Off
MSG(Message LED/ Power/ Sleep LED)	Pin 1: LED anode(+) Pin 2: LED cathode(-)
NC	NC

9) F_AUDIO (Front Audio Connector)

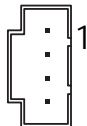
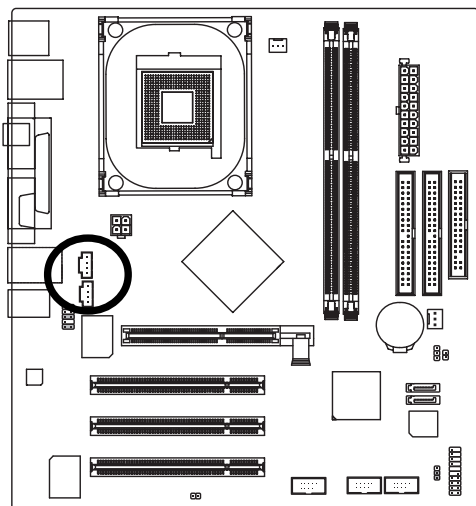
If you want to use Front Audio connector, you must remove 5-6, 9-10 Jumper. In order to utilize the front audio header, your chassis must have front audio connector. Also please make sure the pin assignment on the cable is the same as the pin assignment on the MB header. To find out if the chassis you are buying support front audio connector, please contact your dealer. Please note, you can have the alternative of using front audio connector or of using rear audio connector to play sound.



Pin No.	Definition
1	MIC
2	GND
3	REF
4	Power
5	Front Audio (R)
6	Rear Audio (R)
7	Reserved
8	No Pin
9	Front Audio (L)
10	Rear Audio (L)

10) CD_IN1/AUX_IN

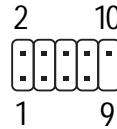
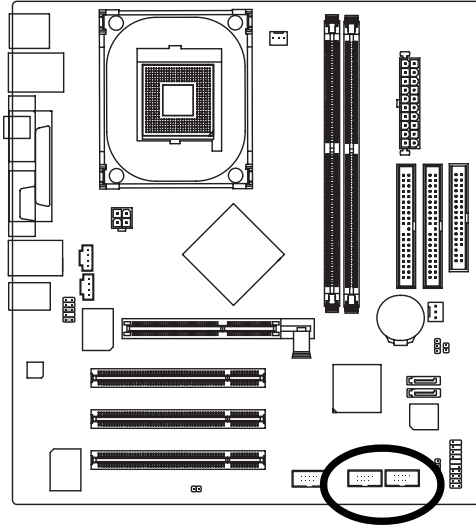
Connect CD-ROM or DVD-ROM audio out to the connector.



Pin No.	Definition
1	CD-L
2	GND
3	GND
4	CD-R

11) F_USB1/F_USB2 (Front USB Connector)

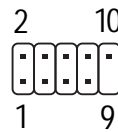
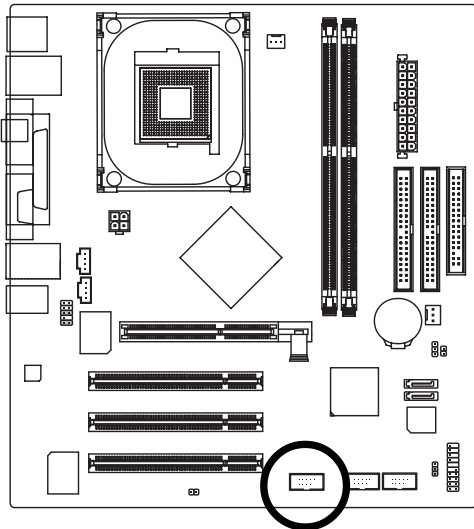
Be careful with the polarity of the front USB connector. Check the pin assignment carefully while you connect the front USB cable, incorrect connection between the cable and connector will make the device unable to work or even damage it. For optional front USB cable, please contact your local dealer.



Pin No.	Definition
1	Power
2	Power
3	USB Dx-
4	USB Dy-
5	USB Dx+
6	USB Dy+
7	GND
8	GND
9	No Pin
10	NC

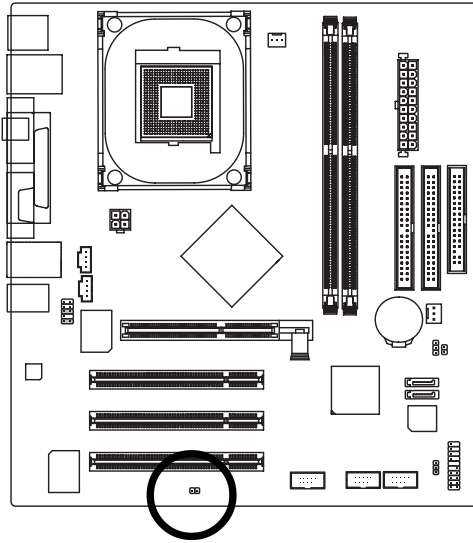
12) F1_1394 (IEEE1394 Connector)

Serial interface standard set by Institute of Electrical and Electronics Engineers, which has features like high speed, highbandwidth and hot plug. Be careful with the polarity of the IEEE1394 connector. Check the pin assignment carefully while you connect the IEEE1394 cable, incorrect connection between the cable and connector will make the device unable to work or even damage it. For optional IEEE1394 cable, please contact your local dealer.



Pin No.	Definition
1	TPA2+
2	TPA2-
3	GND
4	GND
5	TPB2+
6	TPB2-
7	Power
8	Power
9	No Pin
10	GND

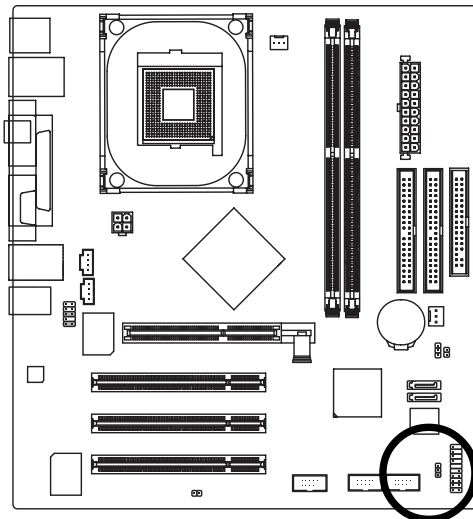
13) BIOS_WP




1  Open: Write Protect Disabled

1  Short: Write Protect Enable

14) BIOS_RE (BIOS Recovery)

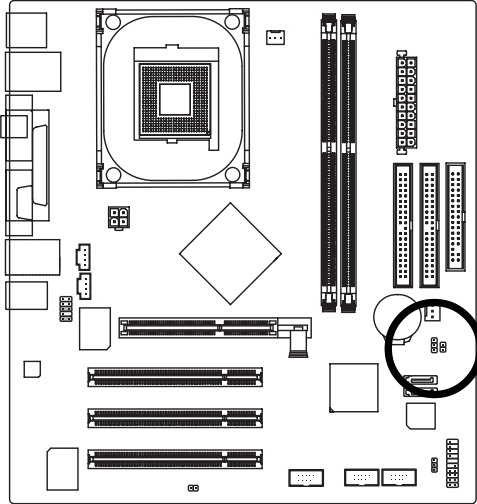



1  1-2 short: Normal (Default)


1  2-3 Short: BIOS Recovery

15) CLR_CMOS (Clear CMOS)

You may clear the CMOS data to its default values by this jumper. To clear CMOS, temporarily short 1-2 pin.

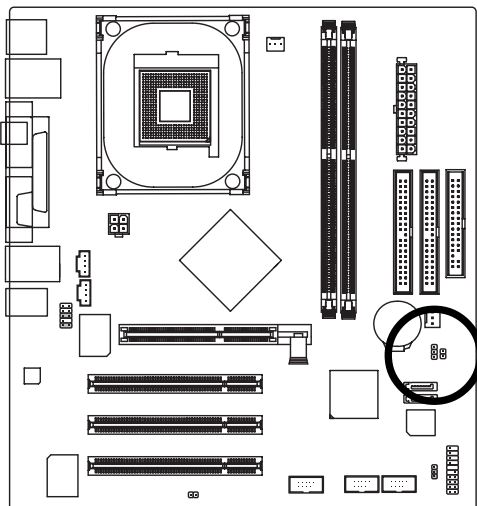


1  1-2 close: Clear CMOS

1  2-3 close: Normal

16) CI (CASE OPEN)

This 2 pin connector allows your system to enable or disable the "case open" item in BIOS if the system case begin remove.

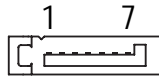
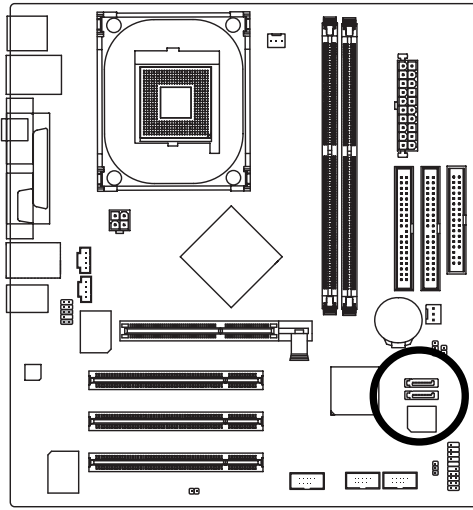


1 

Pin No.	Definition
1	Signal
2	GND

17) SATA0/SATA1 (Serial ATA Connector)

You can connect the Serial ATA device to this connector, it provides you high speed transfer rates (150MB/sec).



Pin No.	Definition
1	GND
2	TXP
3	TXN
4	GND
5	RXN
6	RXP
7	GND

Chapter 3 BIOS Setup

BIOS Setup is an overview of the BIOS Setup Program. The program that allows users to modify the basic system configuration. This type of information is stored in battery-backed CMOS RAM so that it retains the Setup information when the power is turned off.

ENTERING SETUP

Powering ON the computer and pressing immediately will allow you to enter Setup. If you require more advanced BIOS settings, please go to "Advanced BIOS" setting menu. To enter Advanced BIOS setting menu, press "Ctrl+F1" key on the BIOS screen.

CONTROL KEYS

<↑>	Move to previous item
<↓>	Move to next item
<←>	Move to the item in the left hand
<→>	Move to the item in the right hand
Enter	Select item
<Esc>	Main Menu - Quit and not save changes into CMOS Status Page Setup Menu and Option Page Setup Menu - Exit current page and return to Main Menu
<+/PgUp>	Increase the numeric value or make changes
<-/PgDn>	Decrease the numeric value or make changes
<F1>	General help, only for Status Page Setup Menu and Option Page Setup Menu
<F2>	Item Help
<F3>	Reserved
<F4>	Reserved
<F5>	Restore the previous CMOS value from CMOS, only for Option Page Setup Menu
<F6>	Load the file-safe default CMOS value from BIOS default table
<F7>	Load the Optimized Defaults
<F8>	Q-Flash function
<F9>	System Information
<F10>	Save all the CMOS changes, only for Main Menu

GETTING HELP

Main Menu

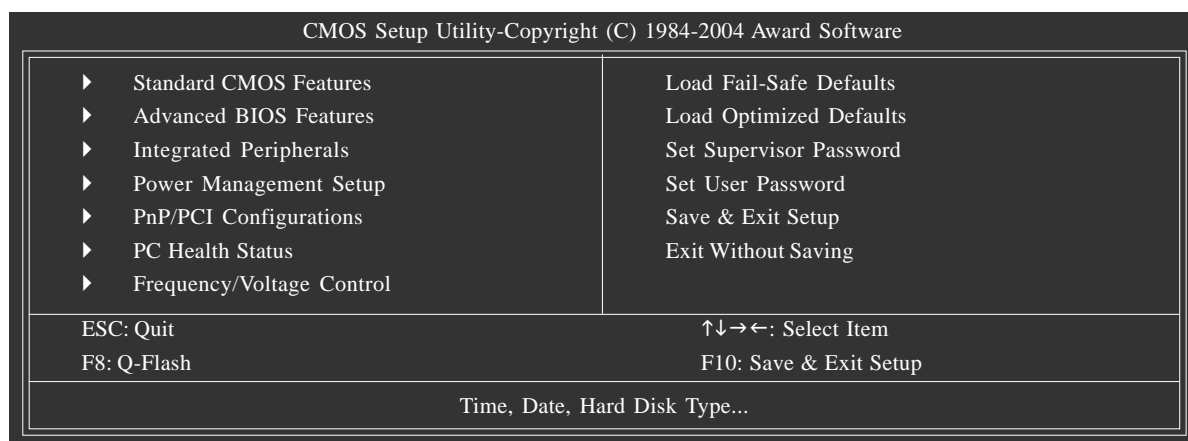
The on-line description of the highlighted setup function is displayed at the bottom of the screen.

Status Page Setup Menu / Option Page Setup Menu

Press F1 to pop up a small help window that describes the appropriate keys to use and the possible selections for the highlighted item. To exit the Help Window press <Esc>.

The Main Menu (For example: BIOS Ver. : E1)

Once you enter Award BIOS CMOS Setup Utility, the Main Menu will appear on the screen. The Main Menu allows you to select from eight setup functions and two exit choices. Use arrow keys to select among the items and press <Enter> to accept or enter the sub-menu.



If you can't find the setting you want, please press "Ctrl+F1" to search the advanced option widden.

- **Standard CMOS Features**

This setup page includes all the items in standard compatible BIOS.

- **Advanced BIOS Features**

This setup page includes all the items of Award special enhanced features.

- **Integrated Peripherals**

This setup page includes all onboard peripherals.

- **Power Management Setup**
This setup page includes all the items of Green function features.
- **PnP/PCI Configurations**
This setup page includes all the configurations of PCI & PnP ISA resources.
- **PC Health Status**
This setup page is the System auto detect Temperature, voltage, fan, speed.
- **Frequency/Voltage Control**
This setup page is control CPU's clock and frequency ratio.
- **Load Fail-Safe Defaults**
Fail-Safe Defaults indicates the value of the system parameters which the system would be in safe configuration.
- **Load Optimized Defaults**
Optimized Defaults indicates the value of the system parameters which the system would be in best performance configuration.
- **Set Supervisor password**
Change, set, or disable password. It allows you to limit access to the system and Setup, or just to Setup.
- **Set User password**
Change, set, or disable password. It allows you to limit access to the system.
- **Save & Exit Setup**
Save CMOS value settings to CMOS and exit setup.
- **Exit Without Saving**
Abandon all CMOS value changes and exit setup.

Standard CMOS Features

CMOS Setup Utility-Copyright (C) 1984-2004 Award Software Standard CMOS Features		
		Item Help
Date (mm:dd:yy)	Tue, Jan 27 2004	Menu Level▶
Time (hh:mm:ss)	22:31:24	Change the day, month, year
▶ IDE Channel 0 Master	[None]	<Week>
▶ IDE Channel 0 Slave	[None]	Sun. to Sat.
▶ IDE Channel 1 Master	[None]	<Month>
▶ IDE Channel 1 Slave	[None]	Jan. to Dec.
Drive A	[1.44M, 3.5"]	<Day>
Drive B	[None]	1 to 31 (or maximum allowed in the month)
Floppy 3 Mode Support	[Disabled]	<Year>
Holt On	[All, But Keyboard]	1999 to 2098
Base Memory	640K	
Extended Memory	127M	
Total Memory	128M	

↑↓→←: Move Enter: Select +/-/PU/PD: Value F10: Save ESC: Exit F1: General Help
 F5: Previous Values F6: Fail-Save Default F7: Optimized Defaults

☞ Date

The date format is <week>, <month>, <day>, <year>.

- ▶▶ Week The week, from Sun to Sat, determined by the BIOS and is display only
- ▶▶ Month The month, Jan. Through Dec.
- ▶▶ Day The day, from 1 to 31 (or the maximum allowed in the month)
- ▶▶ Year The year, from 1999 through 2098

☞ Time

The times format in <hour> <minute> <second>. The time is calculated base on the 24-hour military-time clock. For example, 1 p.m. is 13:00:00.

☞ IDE Channel 0 Master, Slave / IDE Channel 1 Master, Slave

The category identifies the types of hard disk from drive C to F that has been installed in the computer. There are two types: auto type, and manual type. Manual type is user-definable; Auto type which will automatically detect HDD type.

Note that the specifications of your drive must match with the drive table. The hard disk will not work properly if you enter improper information for this category.

If you select User Type, related information will be asked to enter to the following items. Enter the information directly from the keyboard and press <Enter>. Such information should be provided in the documentation form your hard disk vendor or the system manufacturer.

- ▶▶ CYLS. Number of cylinders
- ▶▶ HEADS Number of heads
- ▶▶ PRECOMP Write precomp
- ▶▶ LANDZONE Landing zone
- ▶▶ SECTORS Number of sectors

If a hard disk has not been installed select NONE and press <Enter>.

☞ Drive A / Drive B

The category identifies the types of floppy disk drive A or drive B that has been installed in the computer.

- ▶▶ None No floppy drive installed
- ▶▶ 360K, 5.25" 5.25 inch PC-type standard drive; 360K byte capacity.
- ▶▶ 1.2M, 5.25" 5.25 inch AT-type high-density drive; 1.2M byte capacity
(3.5 inch when 3 Mode is Enabled).
- ▶▶ 720K, 3.5" 3.5 inch double-sided drive; 720K byte capacity
- ▶▶ 1.44M, 3.5" 3.5 inch double-sided drive; 1.44M byte capacity.
- ▶▶ 2.88M, 3.5" 3.5 inch double-sided drive; 2.88M byte capacity.

☞ Floppy 3 Mode Support (for Japan Area)

- ▶ Disabled Normal Floppy Drive. (Default value)
- ▶ Drive A Drive A is 3 mode Floppy Drive.
- ▶ Drive B Drive B is 3 mode Floppy Drive.
- ▶ Both Drive A & B are 3 mode Floppy Drives.

☞ Halt on

The category determines whether the computer will stop if an error is detected during power up.

- ▶ NO Errors The system boot will not stop for any error that may be detected and you will be prompted.
- ▶ All Errors Whenever the BIOS detects a non-fatal error the system boot will be stopped.
- ▶ All, But Keyboard The system boot will not stop for all errors except a keyboard error. (Default value)
- ▶ All, But Diskette The system boot will not stop for all errors except a disk error.
- ▶ All, But Disk/Key The system boot will not stop for all errors except keyboard and disk errors.

☞ Memory

The category is display-only which is determined by POST (Power On Self Test) of the BIOS.

Base Memory

The POST of the BIOS will determine the amount of base (or conventional) memory installed in the system.

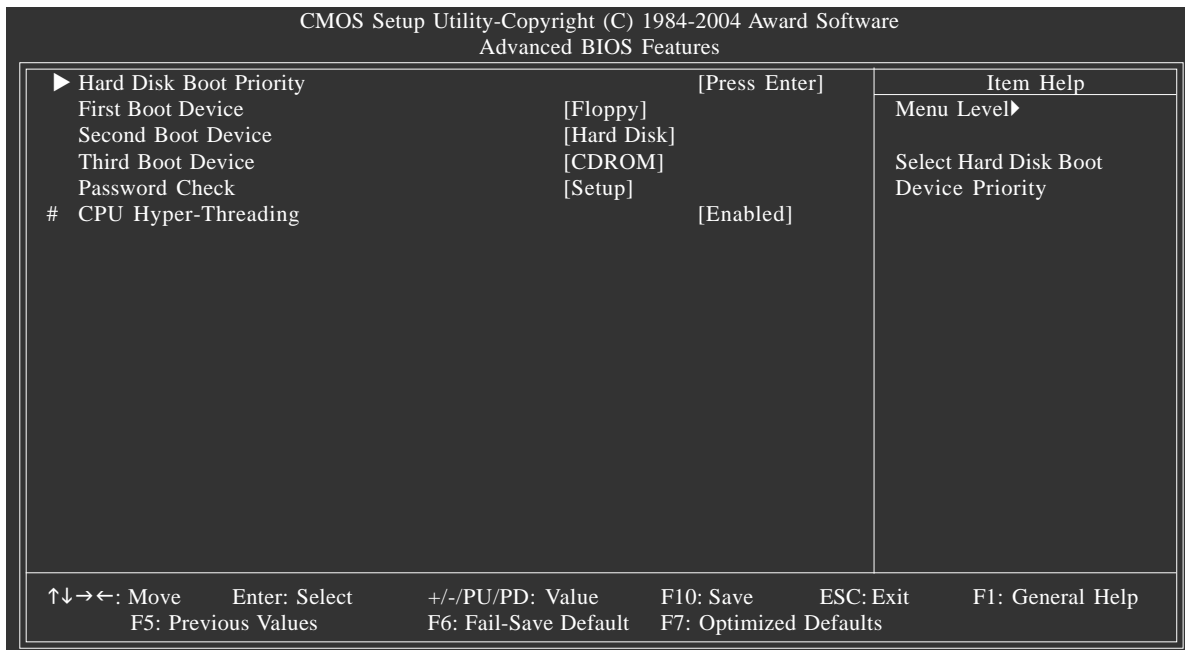
The value of the base memory is typically 512 K for systems with 512K memory installed on the motherboard, or 640 K for systems with 640 K or more memory installed on the motherboard.

Extended Memory

The BIOS determines how much extended memory is present during the POST.

This is the amount of memory located above 1MB in the CPU's memory address map.

Advanced BIOS Features



"#" System will detect automatically and show up when you install the Intel® Pentium® 4 processor with HT Technology.

▶ Hard Disk Boot Priority

- ▶ Press Enter Select Hard Disk Boot Device priority.

▶ First / Second / Third Boot Device

☛ This feature allows you to select the boot device priority.

- ▶ Floppy Select your boot device priority by Floppy.
- ▶ LS120 Select your boot device priority by LS120.
- ▶ Hard Disk Select your boot device priority by Hard Disk.
- ▶ CDROM Select your boot device priority by CDROM.
- ▶ ZIP Select your boot device priority by ZIP.
- ▶ USB-FDD Select your boot device priority by USB-FDD.
- ▶ USB-ZIP Select your boot device priority by USB-ZIP.
- ▶ USB-CDROM Select your boot device priority by USB-CDROM.
- ▶ USB-HDD Select your boot device priority by USB-HDD.
- ▶ LAN Select your boot device priority by LAN.
- ▶ Disabled Select your boot device priority by Disabled.

▶ Password Check

- ▶ Setup The system will boot but will not access to Setup page if the correct password is not entered at the prompt. (Default value)
- ▶ System The system will not boot and will not access to Setup page if the correct password is not entered at the prompt.

☞ CPU Hyper-Threading

- ▶ Enabled Enables CPU Hyper Threading Feature. Please note that this feature is only working for operating system with multi processors mode supported. (Default value)
- ▶ Disabled Disables CPU Hyper Threading.

Integrated Peripherals

CMOS Setup Utility-Copyright (C) 1984-2004 Award Software
Integrated Peripherals

		Item Help
	[Enabled]	Menu Level▶
	[Enabled]	
	[Auto]	
x SATA Port0 Configure as	SATA Port0	If a hard disk controller card is used, set at Disabled
SATA Port1 Configure as	SATA Port1	
USB Controller	[Enabled]	[Enabled]
USB 2.0 Controller	[Enabled]	Enable on-chip IDE Port
USB Keyboard Support	[Disabled]	
USB Mouse Support	[Disabled]	
AC97 Audio	[Auto]	
Onboard H/W 1394	[Enabled]	
Onboard H/W LAN	[Enabled]	[Disabled]
Onboard LAN Boot ROM	[Enabled]	Disable on-chip IDE Port
Onboard Serial Port 1	[3F8/IRQ4]	
Onboard Serial Port 2	[2F8/IRQ3]	
UART Mode Select	[Normal]	
RxD,TxD Active	Hi,Lo	
IR Transmission Delay	[Enabled]	
x UR2 Duplex Mode	Half	

↑↓→←: Move Enter: Select +/-/PU/PD: Value F10: Save ESC: Exit F1: General Help
F5: Previous Values F6: Fail-Save Default F7: Optimized Defaults

CMOS Setup Utility-Copyright (C) 1984-2004 Award Software
Integrated Peripherals

		Item Help
	IR-Rx2Tx2	Menu Level▶
	[378/IRQ7]	
	[SPP]	
x EPP Mode Select	[EPP 1.7]	
x ECP Mode Use DMA	3	
Game Port Address	[201]	
Midi Port Address	[Disabled]	
x Midi Port IRQ	10	

↑↓→←: Move Enter: Select +/-/PU/PD: Value F10: Save ESC: Exit F1: General Help
F5: Previous Values F6: Fail-Save Default F7: Optimized Defaults

☞ On-Chip Primary PCI IDE

- ▶▶ Enabled Enable onboard 1st channel IDE port. (Default value)
- ▶▶ Disabled Disable onboard 1st channel IDE port.

☞ On-Chip Secondary PCI IDE

- ▶▶ Enabled Enable onboard 2nd channel IDE port. (Default value)
- ▶▶ Disabled Disable onboard 2nd channel IDE port.

☞ On-chip SATA

- ▶▶ Disabled Disable SATA controller.
- ▶▶ Auto When there is no device to be plugged in IDE1 or IDE2, SATA controller will remap to IDE controller. (Default value)
- ▶▶ Manual Set SATA Mode manually.

☞ SATA Port0 Configure as

- ▶▶ IDE Pri. Master Remap SATA Port 0 to IDE Pri. Master.
- ▶▶ IDE Pri. Slave Remap SATA Port 0 to IDE Pri. Slave.
- ▶▶ IDE Sec. Master Remap SATA Port 0 to IDE Sec. Master.
- ▶▶ IDE Sec. Slave Remap SATA Port 0 to IDE Sec. Slave.
- ▶▶ SATA Port0 SATA controller set to SATA port0. As this mode, it support by WinXP or later OS only. (Default value)
- ▶▶ SATA Port1 SATA controller set to SATA port1. As this mode, it support by WinXP or later OS only.

☞ SATA Port1 Configure as

- ▶▶ The values depend on SATA Port0.

☞ USB Controller

- ▶▶ Enabled Enable USB Controller. (Default value)
- ▶▶ Disabled Disable USB Controller.

☞ USB 2.0 Controller

Disable this function if you are not using onboard USB 2.0 feature.

- ▶▶ Enabled Enable USB 2.0 Controller. (Default value)
- ▶▶ Disabled Disable USB 2.0 Controller.

☞ USB Keyboard Support

- ▶▶ Enabled Enable USB Keyboard Support.
- ▶▶ Disabled Disable USB Keyboard Support. (Default value)

☞ USB Mouse Support

- ▶ Enabled Enable USB Mouse Support.
- ▶ Disabled Disable USB Mouse Support. (Default value)

☞ AC97 Audio

- ▶ Auto Auto detect AC'97 audio function. (Default value)
- ▶ Disabled Disable AC'97 audio function.

☞ Onboard H/W 1394

- ▶ Enabled Enable onboard H/W 1394 function. (Default value)
- ▶ Disabled Disable this function.

☞ Onboard H/W LAN

- ▶ Enabled Enable Onboard H/W LAN function. (Default value)
- ▶ Disabled Disable this function.

☞ Onboard LAN Boot ROM

- ▶ Enabled Enable Onboard LAN boot ROM function. (Default value)
- ▶ Disabled Disable this function.

☞ Onboard Serial Port 1

- ▶ Auto BIOS will automatically setup the port 1 address.
- ▶ 3F8/IRQ4 Enable onboard Serial port 1 and address is 3F8. (Default value)
- ▶ 2F8/IRQ3 Enable onboard Serial port 1 and address is 2F8.
- ▶ 3E8/IRQ4 Enable onboard Serial port 1 and address is 3E8.
- ▶ 2E8/IRQ3 Enable onboard Serial port 1 and address is 2E8.
- ▶ Disabled Disable onboard Serial port 1.

☞ Onboard Serial Port 2

- ▶ Auto BIOS will automatically setup the port 2 address.
- ▶ 3F8/IRQ4 Enable onboard Serial port 2 and address is 3F8.
- ▶ 2F8/IRQ3 Enable onboard Serial port 2 and address is 2F8. (Default value)
- ▶ 3E8/IRQ4 Enable onboard Serial port 2 and address is 3E8.
- ▶ 2E8/IRQ3 Enable onboard Serial port 2 and address is 2E8.
- ▶ Disabled Disable onboard Serial port 2.

☞ **UART Mode Select**

This item allows you to determine which Infra Red(IR) function of Onboard I/O chip.

- ▶ ASKIR Set onboard I/O chip UART to ASKIR Mode.
- ▶ IrDA Set onboard I/O chip UART to IrDA Mode.
- ▶ Normal Set onboard I/O chip UART to Normal Mode. (Default Value)

☞ **UR2 Duplex Mode**

This feature allows you to select IR mode.

This function will available when "UART Mode Select" doesn't set at Normal.

- ▶ Half IR Function Duplex Half. (Default value)
- ▶ Full IR Function Duplex Full.

☞ **Onboard Parallel port**

This feature allows you to select from a given set of parameters if the parallel port uses the onboard I/O controller.

- ▶ Disabled Disable onboard LPT port.
- ▶ 378/IRQ7 Enable onboard LPT port and address is 378/IRQ7. (Default value)
- ▶ 278/IRQ5 Enable onboard LPT port and address is 278/IRQ5.
- ▶ 3BC/IRQ7 Enable onboard LPT port and address is 3BC/IRQ7.

☞ **Parallel Port Mode**

This feature allows you to connect with an advanced printer via the port mode it supports.

- ▶ SPP Using Parallel port as Standard Parallel Port. (Default value)
- ▶ EPP Using Parallel port as Enhanced Parallel Port.
- ▶ ECP Using Parallel port as Extended Capabilities Port.
- ▶ ECP+EPP Using Parallel port as ECP & EPP mode.

☞ **ECP Mode Use DMA**

This feature allows you to select Direct Memory Access(DMA) channel if the ECP mode selected.

This function will available when "Parallel Port Mode" set at ECP or ECP+EPP.

- ▶ 3 Set ECP Mode Use DMA to 3. (Default value)
- ▶ 1 Set ECP Mode Use DMA to 1.

☞ **Game Port Address**

- ▶ 201 Set Game Port Address to 201. (Default value)
- ▶ 209 Set Game Port Address to 209.
- ▶ Disabled Disable this function.

☞ **Midi Port Address**

- ▶ 300 Set Midi Port Address to 300.
- ▶ 330 Set Midi Port Address to 330.
- ▶ Disabled Disable this function. (Default value)

☞ **Midi Port IRQ**

- ▶▶ 5 Set Midi Port IRQ to 5.
- ▶▶ 10 Set Midi Port IRQ to 10. (Default value)

Power Management Setup

CMOS Setup Utility-Copyright (C) 1984-2004 Award Software Power Management Setup		
		Item Help
ACPI Suspend Type	[S1(POS)]	Menu Level▶
Power LED in S1 state	[Blinking]	
Off by Power button	[Instant-off]	
PME Event Wake Up	[Enabled]	[S1]
ModemRingOn/WakeOnLan	[Enabled]	Set suspend type to
Resume by Alarm	[Disabled]	Power On Suspend under
x Date (of Month) Alarm	Everyday	ACPI OS
x Time (hh:mm:ss) Alarm	0 : 0 : 0	
Power On by Mouse	[Disabled]	[S3]
Power On by Keyboard	[Disabled]	Set suspend type to
x KB Power ON Password	Enter	Suspend to RAM under
AC Back Function	[Soft-Off]	ACPI OS

↑↓→←: Move Enter: Select +/-/PU/PD: Value F10: Save ESC: Exit F1: General Help
 F5: Previous Values F6: Fail-Save Default F7: Optimized Defaults

☞ ACPI Suspend Type

- ▶▶ S1(POS) Set ACPI suspend type to S1. (Default value)
- ▶▶ S3(STR) Set ACPI suspend type to S3.

☞ Power LED in S1 state

- ▶▶ Blinking In standby mode(S1), power LED will blink. (Default value)
- ▶▶ Dual/OFF In standby mode(S1):
 - a. If use single color LED, power LED will turn off.
 - b. If use dual color LED, power LED will turn to another color.

☞ Off by Power button

- ▶▶ Instant-off Press power button then Power off instantly. (Default value)
- ▶▶ Delay 4 Sec. Press power button 4 sec. to Power off. Enter suspend if button is pressed less than 4 sec.

☞ PME Event Wake Up

- ▶▶ Disabled Disable this function.
- ▶▶ Enabled Enable PME Event Wake up. (Default value)

☞ ModemRingOn/WakeOnLAN

An incoming call via modem can awake the system from any suspend state or an input signal comes from the other client server on the LAN can awake the system from any suspend state.

- ▶▶ Disabled Disable Modem Ring on/wake on Lan function.
- ▶▶ Enabled Enable Modem Ring on/wake on Lan. (Default value)

☞ Resume by Alarm

You can set "Resume by Alarm" item to enabled and key in Data/time to power on system.

- ▶▶ Disabled Disable this function. (Default value)
- ▶▶ Enabled Enable alarm function to POWER ON system.
If RTC Alarm Lead To Power On is Enabled.
Date (of Month) Alarm : Everyday, 1~31
Time (hh: mm: ss) Alarm : (0~23) : (0~59) : (0~59)

☞ Power On By Mouse

- ▶▶ Disabled Disabled this function. (Default value)
- ▶▶ Mouse Click Double click on PS/2 mouse left button to power on the system.

☞ Power On By Keyboard

This feature allows you to set the method for powering-on the system.

The option "Password" allows you to set up to 5 alphanumeric characters to power-on the system.

The option "Keyboard 98" allows you to use the standard keyboard 98 to power on the system.

- ▶▶ Password Enter from 1 to 5 characters to set the Keyboard Power On Password.
- ▶▶ Disabled Disabled this function. (Default value)
- ▶▶ Keyboard 98 If your keyboard have "POWER Key" button, you can press the key to power on the system.

☞ KB Power ON Password

When "Power On by Keyboard" set at Password, you can set the password here.

- ▶▶ Enter Input password (from 1 to 5 characters) and press Enter to set the Keyboard Power On password.

☞ AC BACK Function

- ▶▶ Soft-Off When AC-power back to the system, the system will be in "Off" state. (Default value)
- ▶▶ Full-On When AC-power back to the system, the system always in "On" state.
- ▶▶ Memory When AC-power back to the system, the system will return to the Last state before AC-power off.

PnP/PCI Configurations

CMOS Setup Utility-Copyright (C) 1984-2004 Award Software		PnP/PCI Configurations	
PCI 1 IRQ Assignment	[Auto]	Item Help	
PCI 2 IRQ Assignment	[Auto]	Menu Level▶	
PCI 3 IRQ Assignment	[Auto]	Device(s) using this INT:	
		RAID Cntrlr	
		- Bus 0 Dev31 Func 2	
		Network Cntrlr	
		- Bus 2 Dev 1 Func 0	
↑↓→←: Move Enter: Select +/-/PU/PD: Value F10: Save ESC: Exit F1: General Help F5: Previous Values F6: Fail-Save Default F7: Optimized Defaults			

☞ PCI 1 IRQ Assignment

- ▶▶ Auto Auto assign IRQ to PCI 1. (Default value)
- ▶▶ 3,4,5,7,9,10,11,12,14,15 Set IRQ 3,4,5,7,9,10,11,12,14,15 to PCI 1.

☞ PCI 2 IRQ Assignment

- ▶▶ Auto Auto assign IRQ to PCI 2. (Default value)
- ▶▶ 3,4,5,7,9,10,11,12,14,15 Set IRQ 3,4,5,7,9,10,11,12,14,15 to PCI 2.

☞ PCI 3 IRQ Assignment

- ▶▶ Auto Auto assign IRQ to PCI 3. (Default value)
- ▶▶ 3,4,5,7,9,10,11,12,14,15 Set IRQ 3,4,5,7,9,10,11,12,14,15 to PCI 3.

PC Health Status

CMOS Setup Utility-Copyright (C) 1984-2004 Award Software		Item Help
PC Health Status		
Reset Case Open Status	[Disabled]	Menu Level▶
Case Opened	Yes	[Disabled]
VCORE	1.475V	Don't monitor
DDRVTT	1.280V	current fan speed
VCC3	3.264V	[Enabled]
+12V	11.623V	Clear case open status
System Temperature	36°C~96°F	and set to be Disabled
CPU Temperature	33°C~96°F	at next boot
System FAN Speed	0 RPM	
CPU FAN Speed	4687 RPM	
POWER FAN Speed	0 RPM	
System Warning Temp.	[Disabled]	
CPU Warning Temp.	[Disabled]	
System FAN Stop Warning	[Disabled]	
CPU FAN Stop Warning	[Disabled]	
Power FAN Stop Warning	[Disabled]	
SMART FAN Support	[Disabled]	
SMART Target Temp.	65	
SMART Tolerance Temp.	5	
SMART Low Temp. Speed	0V	

↑↓→←: Move Enter: Select +/-/PU/PD: Value F10: Save ESC: Exit F1: General Help
 F5: Previous Values F6: Fail-Save Default F7: Optimized Defaults

☞ Reset Case Open Status

☞ Case Opened

If the case is closed, "Case Opened" will show "No".

If the case have been opened, "Case Opened" will show "Yes".

If you want to reset "Case Opened" value, set "Reset Case Open Status" to "Enabled" and save CMOS, your computer will restart.

☞ Current Voltage (V) VCORE / DDRVTT / VCC3 / +12V

▶▶ Detect system's voltage status automatically.

☞ System / CPU Temperature

▶▶ Detect System / CPU Temp. automatically.

☞ Current CPU/POWER/SYSTEM FAN Speed (RPM)

▶▶ Detect CPU/POWER/SYSTEM Fan speed status automatically.

☞ System / CPU Warning Temperature

▶▶ 60°C / 140°F Monitor System / CPU Temp. at 60°C / 140°F.

▶▶ 70°C / 158°F Monitor System /CPU Temp. at 70°C / 158°F.

▶▶ 80°C / 176°F Monitor System /CPU Temp. at 80°C / 176°F.

▶▶ 90°C / 194°F Monitor System /CPU Temp. at 90°C / 194°F.

▶▶ Disabled Disable this function. (Default value)

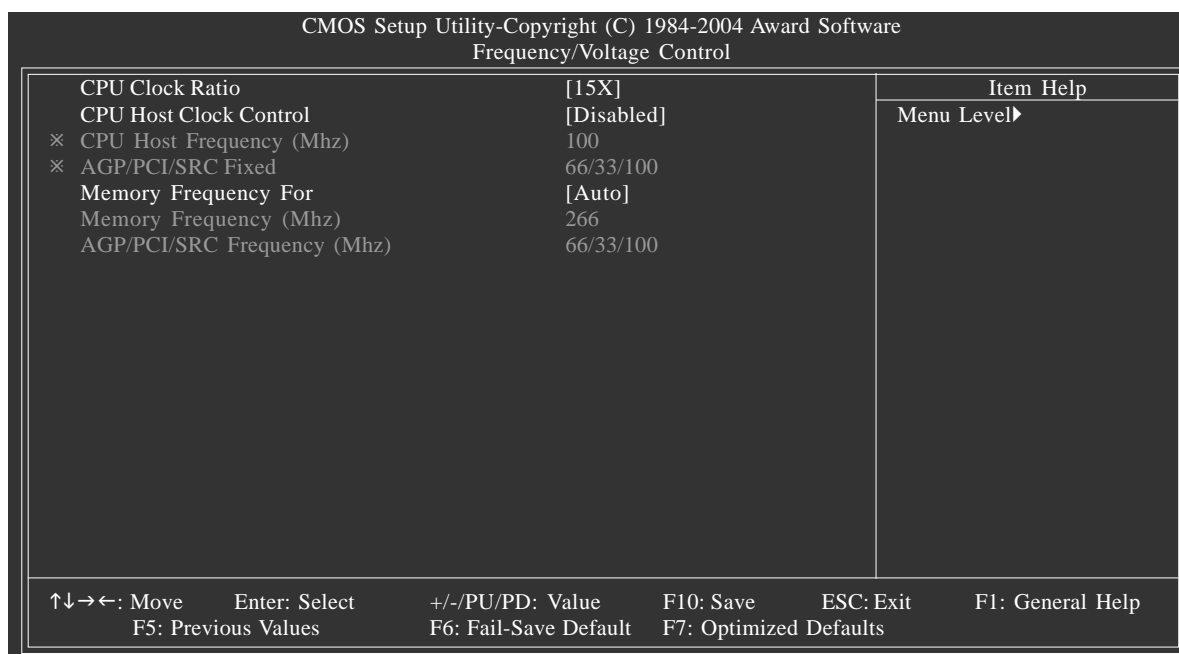
☞ System / CPU/ Power FAN Stop Warning

- ▶ Disabled Don't monitor current fan speed. (Default value)
- ▶ Enabled Alarm when FAN stops.

☞ SMART FAN Control

- ▶ Disabled Disable this function.
- ▶ Enabled Enable CPU Smart Fan control function.(Default value)
 - a. When the CPU temperature is higher than 60 degrees Celsius, CPU fan will run at full speed.
 - b. When the CPU temperature is between 50 and 60 degrees Celsius, CPU fan will run at high speed.
 - c. When the CPU temperature is between 40 and 50 degrees Celsius, CPU fan will run at medium speed.
 - d. When the CPU temperature is lower than 40 degrees Celsius, CPU fan will run at low speed.

Frequency/Voltage Control



※ Those items will be available when "CPU Host Clock Control" is set to Enabled.

☞ CPU Clock Ratio

This option will not be shown or not be available if you are using a CPU with the locked ratio.

▶ 15X~21X It depends on CPU Clock Ratio.

This setup option will automatically assign by CPU detection.

For C-Stepping P4: 8X,10X~24X default: 15X

For Northwood CPU: 12X~24X default: 16X

The option will display "Locked" and read only if the CPU ratio is not changeable.

☞ CPU Host Clock Control

Note: If system hangs up before enter CMOS setup utility, wait for 20 sec for times out reboot.

When time out occur, system will reset and run at CPU default Host clock at next boot.

▶ Disabled Disable CPU Host Clock Control. (Default value)

▶ Enabled Enable CPU Host Clock Control.

☞ CPU Host Frequency (Mhz)

▶ 100MHz ~ 355MHz Set CPU Host Clock from 100MHz to 355MHz.

If you use FSB400 Pentium 4 processor, please set "CPU Clock" to 100MHz. If you use FSB533

Pentium 4 processor, please set "CPU Clock" to 133MHz. If you use FSB800 Pentium 4 processor, please set "CPU Clock" to 200MHz.

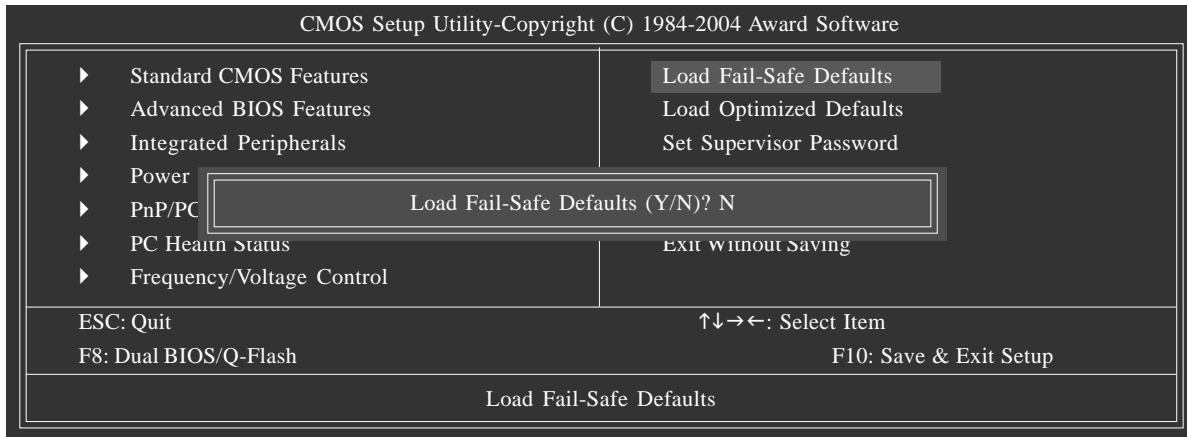
Incorrect using it may cause your system broken. For power End-User use only!

AGP/PCI/SRC Fixed

Serial ATA device is very sensitive to SRC clock. SRC over clock may make Serial ATA device function can't work properly.

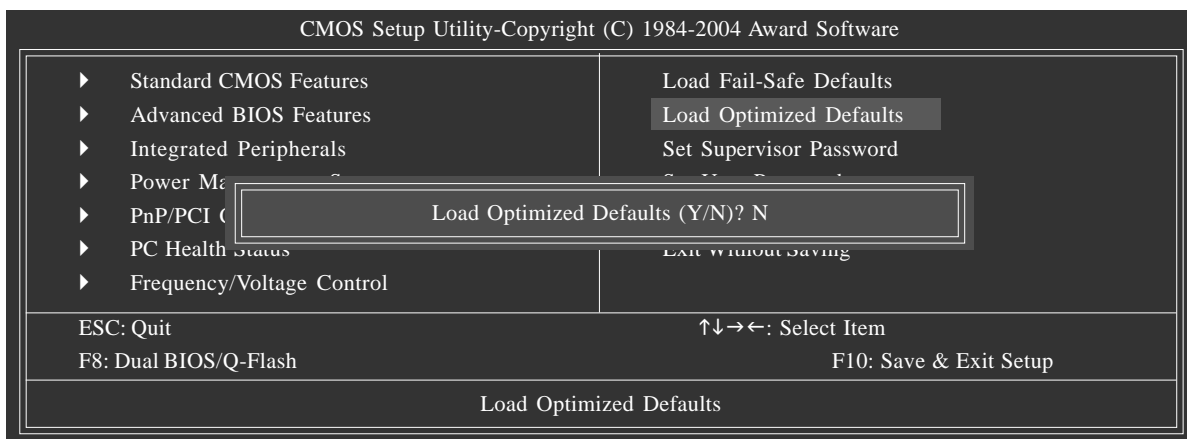
▶ Adjust AGP/PCI/SRC clock asychroous with CPU.

Load Fail-Safe Defaults



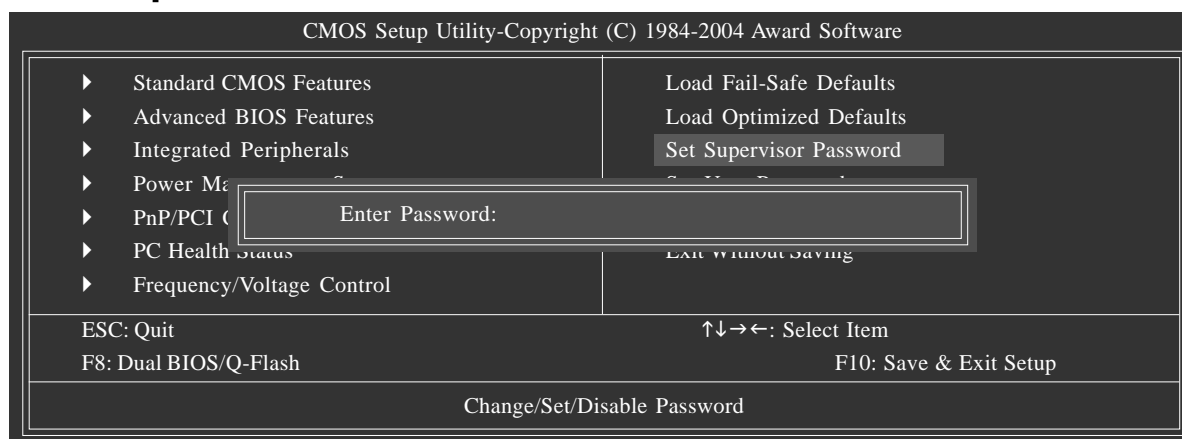
Fail-Safe defaults contain the most appropriate values of the system parameters that allow minimum system performance.

Load Optimized Defaults



Selecting this field loads the factory defaults for BIOS and Chipset Features which the system automatically detects.

Set Supervisor/User Password



When you select this function, the following message will appear at the center of the screen to assist you in creating a password.

Type the password, up to eight characters, and press <Enter>. You will be asked to confirm the password. Type the password again and press <Enter>. You may also press <Esc> to abort the selection and not enter a password.

To disable password, just press <Enter> when you are prompted to enter password. A message "PASSWORD DISABLED" will appear to confirm the password being disabled. Once the password is disabled, the system will boot and you can enter Setup freely.

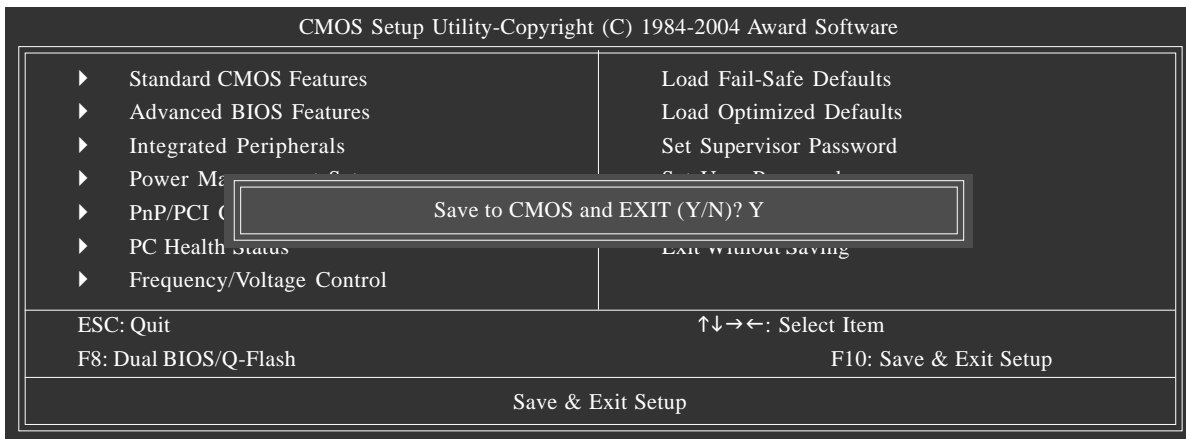
The BIOS Setup program allows you to specify two separate passwords:

SUPERVISOR PASSWORD and a USER PASSWORD. When disabled, anyone may access all BIOS Setup program function. When enabled, the Supervisor password is required for entering the BIOS Setup program and having full configuration fields, the User password is required to access only basic items.

If you select "System" at "Password Check" in Advance BIOS Features Menu, you will be prompted for the password every time the system is rebooted or any time you try to enter Setup Menu.

If you select "Setup" at "Password Check" in Advance BIOS Features Menu, you will be prompted only when you try to enter Setup.

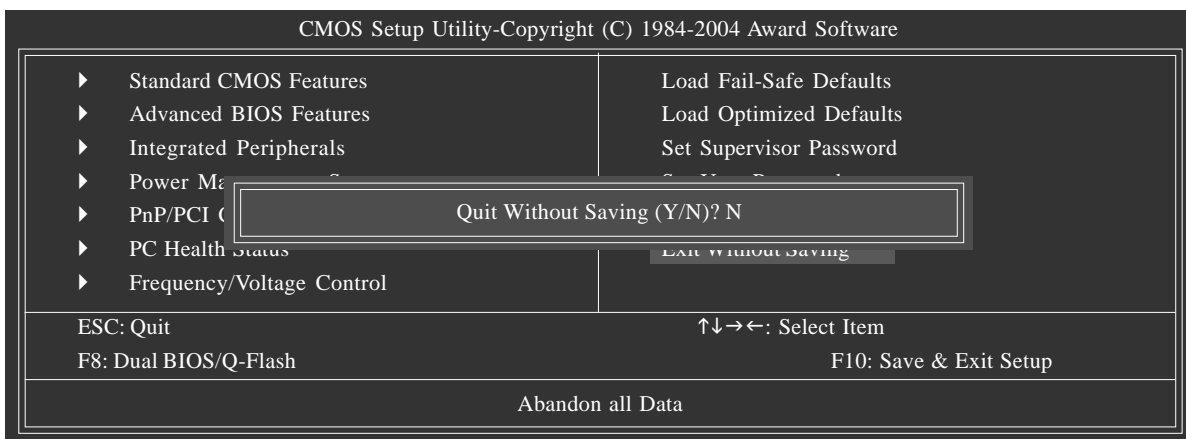
Save & Exit Setup



Type "Y" will quit the Setup Utility and save the user setup value to RTC CMOS.

Type "N" will return to Setup Utility.

Exit Without Saving



Type "Y" will quit the Setup Utility without saving to RTC CMOS.

Type "N" will return to Setup Utility.