

Mainboard User's Manual

This publication, including all photographs, illustrations and software, is protected under international copyright laws, with all rights reserved. Neither this manual, nor any of the material contained herein, may be reproduced without the express written consent of the manufacturer.

The information in this document is subject to change without notice. The manufacturer makes no representations or warranties with respect to the contents hereof and specifically disclaims any implied warranties of merchantability or fitness for any particular purpose. Further, the manufacturer reserves the right to revise this publication and to make changes from time to time in the content hereof without obligation of the manufacturer to notify any person of such revision or changes.

Trademarks

IBM, VGA, and PS/2 are registered trademarks of International Business Machines.

Intel, Pentium, Pentium-II, Pentium-III, MMX, and Celeron are registered trademarks of Intel Corporation.

Microsoft, MS-DOS and Windows 95/98/NT/2000 are registered trademarks of Microsoft Corporation.

Sound Blaster is a trademark of Creative Technology Ltd.

PC-cillin and ChipAwayVirus are trademarks of Trend Micro Inc.

AMI is a trademark of American Megatrends Inc.

A3D is a registered trademark of Aureal Inc.

SuperVoice is a registered trademark of Pacific Image Communications Inc.

MediaRing Talk is a registered trademark of MediaRing Inc.

3Deep is a registered trademark of E-Color Inc.

Other names used in this publication may be trademarks and are acknowledged.

**Copyright © 2001
All Rights Reserved
M754+ Series, V3.3
A163X/April 2001**

Mainboard User's Manual

For system assembler, please make sure the power supplier may provide **150 Watts (min.)**

Mainboard User's Manual

Table of Contents

| | |
|---|----|
| Trademarks..... | I |
| Chapter 1: Introduction..... | 1 |
| Key Features..... | 2 |
| Package Contents..... | 5 |
| Static Electricity Precautions..... | 6 |
| Pre-Installation Inspection..... | 6 |
| Chapter 2: Mainboard Installation..... | 7 |
| Mainboard Components..... | 8 |
| I/O Ports..... | 8 |
| Install A CPU..... | 9 |
| Install Memory..... | 11 |
| Setting Jumper Switches..... | 11 |
| Install the Mainboard..... | 14 |
| Install the Extension Brackets..... | 15 |
| Install Other Devices..... | 17 |
| Expansion Slots..... | 19 |
| Audio System Applications..... | 20 |
| Chapter 3: BIOS Setup Utility..... | 23 |
| Introduction..... | 23 |
| Running the Setup Utility..... | 24 |
| Standard CMOS Setup Page..... | 25 |
| Advanced Setup Page..... | 26 |
| Power Management Setup Page..... | 28 |
| PCI / Plug and Play Setup Page..... | 29 |
| Load Optimal Settings..... | 30 |
| Load Best Performance Settings..... | 30 |
| Features Setup Page..... | 31 |
| CPU PnP Setup Page..... | 33 |
| Hardware Monitor Page..... | 34 |
| Change Password..... | 34 |
| Exit..... | 35 |
| Chapter 4: Software & Applications..... | 37 |
| Introduction..... | 37 |
| Installing Support Software..... | 37 |
| Installing under Windows 98..... | 39 |

Mainboard User's Manual

Chapter 1

Introduction

This mainboard has a **Socket 370**, which uses either an **Intel FCPGA/PPGA Celeron** or **FCPGA Pentium-III** processor.

This mainboard supports front-side bus speeds of **66MHz**, **100MHz**, **105MHz** or **133MHz**.

This mainboard uses the **GFX PRO** chipset which integrates a **3D 128-bit AGP Graphics Accelerator** with an optional **Composite Video/S-Video TV-out** interface and has a built-in **PCI 3D 5.1 Channel Speaker-out** sound system. The mainboard has an embedded **10BaseT/100BaseTX Network** interface and a **V.90 Fax/Modem DAA module** is shipped with the mainboard. In addition, the mainboard has a full set of **ATX I/O Ports** including PS/2 keyboard and mouse ports, two USB ports, a LAN (RJ45) port, a parallel port, a serial port and a VGA port.

This mainboard has all the features you need to develop a powerful multimedia workstation that is network ready, and has built-in communications. The board is **Micro-ATX size** and has power connector for an **ATX** power supply.

Mainboard User's Manual

Key Features

The key features of this mainboard include:

Socket-370 Processor Support

- ◆ Supports **FCPGA/PPGA Celerons**
- ◆ **FCPGA Pentium III** CPUs are supported
- ◆ Supports 66MHz, 100MHz, 105MHz or 133MHz FSB

Memory Support

- ◆ Two DIMM slots for 168-pin SDRAM memory modules
- ◆ Support for 66MHz, 100MHz, & 133MHz memory bus
- ◆ Maximum installed memory is 2 x 512MB = 1 GB

Expansion Slots

- ◆ Three 32-bit PCI slots
- ◆ One 8/16-bit ISA slot

Onboard IDE channels

- ◆ Primary and Secondary PCI IDE channels
- ◆ Support for PIO (programmable input/output) modes
- ◆ Support for Multiword DMA modes
- ◆ Support for Bus Mastering and Ultra DMA 33/66 modes

Power Supply and Power Management

- ◆ ATX power supply connector
- ◆ ACPI and previous PMU support, suspend switch, keyboard power on/off
- ◆ Supports Wake on Modem, Wake on LAN and Wake on Alarm

Built-in Graphics System

- ◆ Onboard advanced 128-bit 2D/3D **AGP Graphics Accelerator**
- ◆ Shared SDRAM memory architecture allows a maximum of 32 MB main memory to act as frame buffer

1: Introduction

- ◆ Supports high resolutions up to 1280 x 1024 and 16-bit color pipeline
- ◆ High performance 128-bit 2D GUI/DirectDraw acceleration
- ◆ Video Acceleration for DirectShow, MPEG-1, MPEG-2 and Indeo
- ◆ Optional TV encoder supports Composite Video/S-Video TV-out interface for NTSC and PAL TV

Sound System

- ◆ Complies with the PC98 audio specification
- ◆ 16-bit CODEC for full-duplex playback and recording
- ◆ HRTF 3D professional audio supports both Direct Sound 3D[®] and A3D[®]-compatible interfaces
- ◆ Supports Front Left/Right, Rear Left/Right Surround and Center/Subwoofer (Low-Frequency Effects) **6 channel audio-out**
- ◆ Driver support for MS-DOS, Microsoft Windows 95/98/2000/NT 4.0
- ◆ Built-in 32ohm earphone buffer and 3D surround sound
- ◆ Provides MPU-401 Game/MIDI port and legacy Sound Blaster 16 support
- ◆ Downloadable Wave-table Synthesizer supports Direct Music[®]
- ◆ Stereo Mixer supports analog mixing from CD-Audio and Line In

Onboard I/O Ports

- ◆ Provides PC99 Color Connectors for easy peripheral device connections
- ◆ Floppy disk drive connector with 1Mb/s transfer rate
- ◆ One serial port with 16550-compatible fast UART
- ◆ One parallel port with ECP and EPP support
- ◆ Two USB ports and two PS/2 ports for keyboard and mouse
- ◆ One infrared port connector for optional module

Built-in Ethernet LAN

- ◆ **10BaseT/100BaseTX Ethernet LAN**

Mainboard User's Manual

- ◆ LAN controller integrates Fast Ethernet MAC and PHY compliant with IEEE802.3u 100BASE-TX, 10BASE-T and ANSI X3.263 TP-PMD standards
- ◆ Compliant with ACPI 1.0 and the Network Device Class Power Management 1.0
- ◆ High Performance provided by 100Mbps clock generator and data recovery circuit for 100Mbps receiver

Fax/Modem DAA Module

- ◆ **56 Kbps Fax/Modem DAA module**
- ◆ Supports V.90, V.34, V.32bis, V.32, V.22bis, V.22
- ◆ Supports Auto Fallback and MNP 5, V.42bis data compression with 115,200-compatible Virtual UART
- ◆ Requires 16MB RAM and Microsoft Windows 95/98/NT

Onboard Flash ROM

- ◆ Supports Plug and Play configuration of peripheral devices and expansion cards
- ◆ Built-in virus protection using **Trend's ChipAwayVirus** provides boot process virus protection.

Bundled Software

- ◆ **PC-Cillin2000** provides automatic virus protection under DOS, Windows 95/98/NT/2000
- ◆ **SuperVoice** is data, fax and voice communication software
- ◆ **MediaRing Talk** provides PC to PC or PC to Phone internet phone communication
- ◆ **3Deep** delivers the precise imagery and displays accurate color in your monitor

Dimensions

- ◆ Micro-ATX form factor (24.4cm x 21cm)

1: Introduction

Package Contents

Attention: This mainboard series includes several different models. They are M754LMRT+ (LAN/Modem/TV-Out Ready), M754LMR+ (LAN/Modem Ready), M754LRT+ (LAN/TV-Out Ready), M754MRT+ (Modem/TV-Out Ready), M754LR+ (LAN Ready), M754MR+ (Modem Ready), M754T+ (TV-Out Ready) and M754+ (without LAN/Modem/ TV-Out).

Please contact your local supplier for your purchase model.

Each model will support different specification, list as below:

| Model | Specification |
|-----------|--|
| M754LMRT+ | Onboard LAN chip (U8), LAN (RJ45) connector, a Fax/Modem DAA module, onboard TV-Out chip (U7), TV1 header and an AV/S-Video output extension bracket |
| M754LMR+ | Onboard LAN chip (U8), LAN (RJ45) connector and a Fax/Modem DAA module |
| M754LRT+ | Onboard LAN chip (U8), LAN (RJ45) connector, TV-Out chip (U7), TV1 header and an AV/S-Video output extension bracket |
| M754MRT+ | A Fax/Modem DAA module, onboard TV-Out chip (U7), TV1 header and an AV/S-Video output extension bracket |
| M754LR+ | Onboard LAN chip (U8) and LAN (RJ45) connector |
| M754MR+ | A Fax/Modem DAA module |
| M754T+ | Onboard TV-Out chip (U7), TV1 header and an AV/S-Video output extension bracket |
| M754+ | --- |

Your mainboard package ships with the following items:

- The mainboard
- This User's Guide
- 1 UDMA/66 IDE cable
- Floppy disk drive cable
- Support software on CD-ROM disk
- I/O pannel

Mainboard User's Manual

Static Electricity Precautions

Components on this mainboard can be damaged by static electricity. Take the following precautions when unpacking the mainboard and installing it in a system.

1. Keep the mainboard and other components in their original static-proof packaging until you are ready to install them.
2. During installation, wear a grounded wrist strap if possible. If you don't have a wrist strap, discharge static electricity by touching the bare metal of the system chassis.
3. Handle the mainboard carefully by the edges. Avoid touching the components unless it is absolutely necessary. During installation put the mainboard on top of the static-protection packaging it came in with the component side facing up.

Pre-Installation Inspection

1. Inspect the mainboard for damage to the components and connectors on the board.
2. If you suspect that the mainboard has been damaged, do not connect power to the system. Contact your mainboard vendor and report the damage.

Chapter 2

Mainboard Installation

To install this mainboard in a system, follow the procedures in this chapter:

- ❑ Identify the mainboard components
- ❑ Install a CPU
- ❑ Install one or more system memory modules
- ❑ Verify that any jumpers or switches are set correctly
- ❑ Install the mainboard in a system chassis (case)
- ❑ Connect any extension brackets or cables to the mainboard connector headers
- ❑ Install any other devices and make the appropriate connections to the mainboard connector headers.

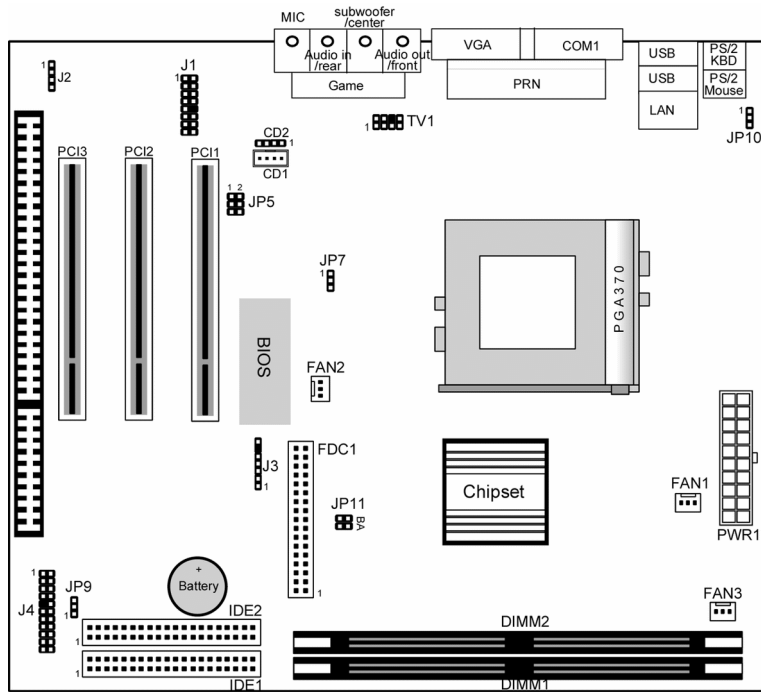
Note:

1. Before installing this mainboard, make sure jumper JP9 is set to Normal, the default setting is set to Clear CMOS. See this chapter for information on locating this jumper and the setting options.
2. Never connect power to the system during installation. Doing so may damage the mainboard.

Mainboard User's Manual

Mainboard Components

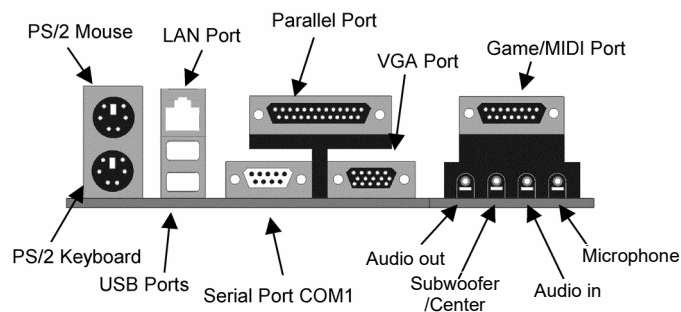
Use the diagram below to identify the major components on the mainboard.



Note: Any jumpers on your mainboard that do not appear in this illustration are for testing only.

I/O Ports

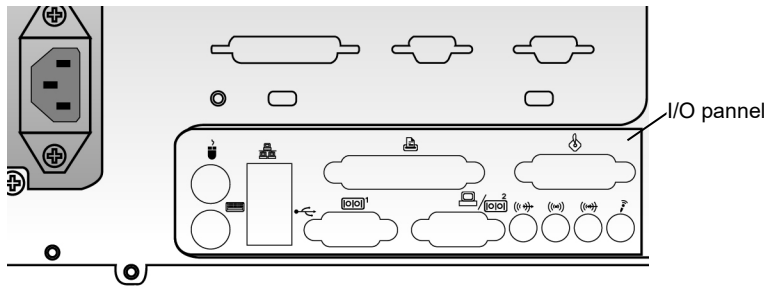
The illustration below shows a side view of the built-in I/O ports on the mainboard.



2: Mainboard Installation

I/O Panel

There is an I/O panel shipped with the mainboard. Before installing the mainboard, you need to remove the original I/O panel and install our I/O panel to the system case as follows.



A back view of the system case

Install A CPU

This mainboard has a Socket 370 which supports PPGA/FCPGA Celeron, FCPGA Pentium-III processors.

To ensure reliability, ensure that your processor has a heatsink/cooling fan assembly.

Do not try to install a Socket 7 processor in the Socket-370. A Socket 7 processor such as the Pentium-MMX, or the AMD K5/K6 does not fit in the Socket 370.

The following list notes the processors that are currently supported by this mainboard.

PPGA/FCPGA Celeron: 300~800 MHz, FSB: 66 MHz

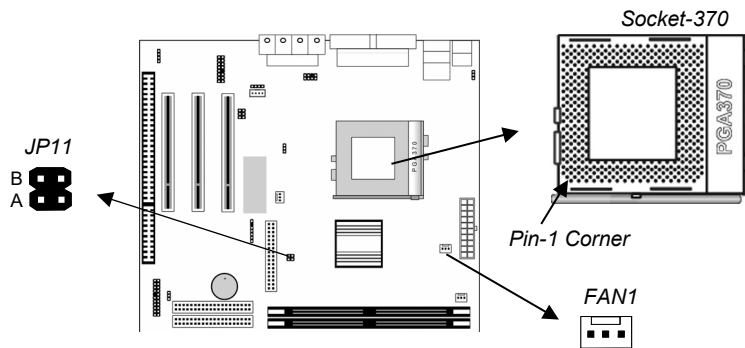
FCPGA Pentium-III: 500~1130MHz, FSB: 100MHz, 133MHz

Installing a Socket-370 Processor

A processor installs into the ZIF (Zero Insertion Force) Socket-370 on the mainboard.

Mainboard User's Manual

1. Locate the Socket-370, JP11 and FAN1. Pull the locking lever out slightly from the socket and raise it to the upright position.



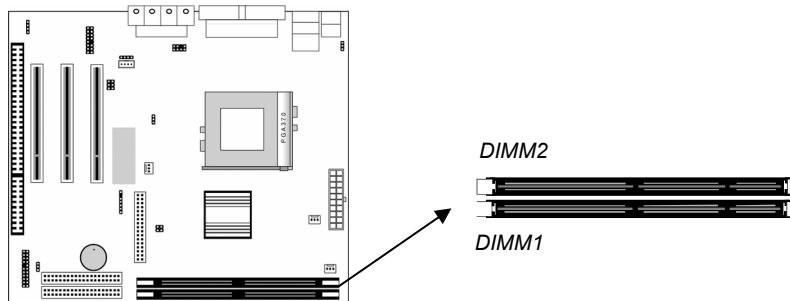
2. On the processor, identify the Pin-1 corner by its beveled edge.
3. On the Socket-370, identify the Pin-1 corner. The Pin-1 corner is at the end of the locking lever when it is locked.
4. Match the Pin-1 corners and insert the processor into the socket. No force is required and the processor should drop into place freely.
5. Swing the locking lever down and hook it under the catch on the side of the socket. This secures the CPU in the socket.
6. All processors should be installed with a combination heatsink/cooling fan, connect the cable from the fan to the CPU fan power connector FAN1.
7. Locate the jumper JP11. Use this jumper to select the CPU Frequency for the installed CPU. CPU speed is equal to the CPU Frequency x the CPU Multiplier. The CPU Multiplier will be detected automatically by BIOS. See the setting list below.

| CPU Frequency Selector: JP11 | | | | |
|-------------------------------------|--------|---------|---------|---------|
| Frequency | 66 MHz | 100 MHz | 105 MHz | 133 MHz |
| JP11-B | Short | Short | Open | Open |
| JP11-A | Short | Open | Short | Open |

2: Mainboard Installation

Install Memory

The mainboard has two DIMM sockets for system memory modules. You must install at least one memory module in order to use the mainboard.



For this mainboard, you must use 168-pin, 3.3V unbuffered SDRAM memory modules. If the installed CPU uses a 100 MHz system bus, you must use PC100 or PC133 memory. If the installed CPU uses a 66 MHz system bus, you must use PC66 memory. You can install any size memory module from 16 MB to 512MB, so the maximum memory size is $2 \times 512\text{MB} = 1\text{GB}$.

The edge connectors on the memory modules have cut outs, which coincide with spacers in the DIMM sockets so that memory modules can only be installed in the correct orientation.

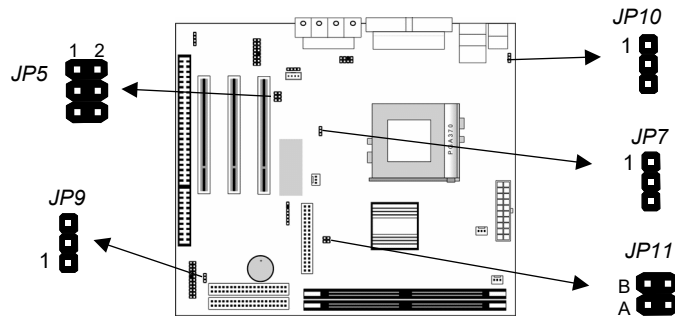
To install a module, push the retaining latches at either end of the socket outwards. Position the memory module correctly and insert it into the DIMM socket. Press the module down into the socket so that the retaining latches rotate up and secure the module in place by fitting into notches on the edge of the module.

Setting Jumper Switches

Jumpers are sets of pins which can be connected together with jumper caps. The jumper caps change the way the mainboard operates by changing the electronic circuits on the mainboard. If a

Mainboard User's Manual

jumper cap connects two pins, we say the pins are SHORT. If a jumper cap is removed from two pins, the pins are OPEN.



Jumper JP5: Modem & Audio System Enable/disable

This jumper consists of two sets of 3-pin jumpers (pins 1,3,5 and pins 2,4,6). Use pins 2,4,6 to enable or disable the onboard sound system. Use pins 1,3,5 to enable or disable the onboard Modem.

| Function | Jumper Setting |
|-----------------------|----------------|
| Enable Onboard Audio | Short Pins 2-4 |
| Disable Onboard Audio | Short Pins 4-6 |
| Enable Onboard Modem | Short Pins 1-3 |
| Disable Onboard Modem | Short Pins 3-5 |

Note: If you use pins 2,4,6 to disable the onboard sound system, the Fax/Modem is also disabled, even if you have set pins 1,3,5 the Enable Fax/Modem setting.

Jumper JP7: Enable/Disable Onboard LAN

Use this 3-pin jumper to enable or disable the onboard network adapter.

| Function | Jumper Setting |
|---------------------|----------------|
| Enable Onboard LAN | Short Pins 1-2 |
| Disable Onboard LAN | Short Pins 2-3 |

2: Mainboard Installation

Jumper JP9: Clear CMOS Memory

Use this jumper to clear the contents of the CMOS memory. You may need to clear the CMOS memory if the settings in the Setup Utility are incorrect and prevent your mainboard from operating. To clear the CMOS memory, disconnect all the power cables from the mainboard and then move the jumper cap into the CLEAR setting for a few seconds.

| Function | Jumper Setting |
|-------------------|----------------|
| Normal Operation | Short Pins 1-2 |
| Clear CMOS Memory | Short Pins 2-3 |

Jumper JP10: Keyboard Power On Selector

If you enable the keyboard power on feature, you can use hot keys on your keyboard as a power on/off switch for the system.

Note: The system must provide 1A on the +5VSB (+5V Standby) signal before using the Keyboard Power On function.

| Function | Jumper Setting |
|---------------------------|----------------|
| Enable Keyboard Power On | Short Pins 1-2 |
| Disable Keyboard Power On | Short Pins 2-3 |

Jumper JP11: CPU Frequency Selectors

This jumper consists of two sets of 2-pin jumpers JP11-B and JP11-A. Use the jumper to select the frequency for the installed CPU.

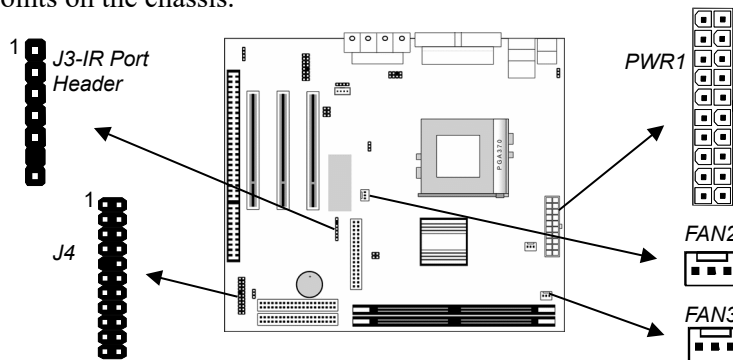
| Frequency | 66 MHz | 100 MHz | 105 MHz | 133 MHz |
|-----------|--------|---------|---------|---------|
| JP11-B | Short | Short | Open | Open |
| JP11-A | Short | Open | Short | Open |

Note: The CPU speed is equal to the CPU Frequency x the CPU Multiplier. The CPU Multiplier will be detected automatically by BIOS.

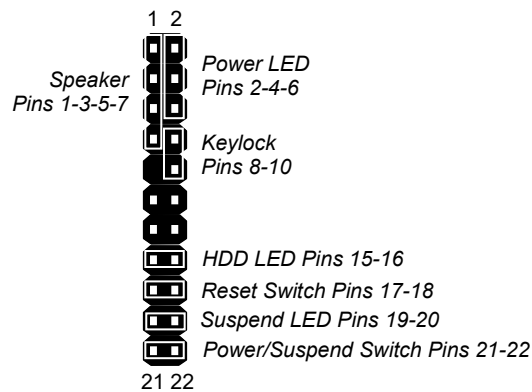
Mainboard User's Manual

Install the Mainboard

Install the mainboard in a system chassis (case). The board is a Micro-ATX size mainboard with a twin-tier of I/O ports. You can install this mainboard in any ATX case. Ensure that your case has an I/O cover plate that matches the ports on this mainboard. Install the mainboard in a case. Follow the instructions provided by the case manufacturer using the hardware and internal mounting points on the chassis.



Connect the power connector from the power supply to the **PWR1** ATX Power connector on the mainboard. If there is a cooling fan installed on the chipset/system chassis, connect the cable from the cooling fan to the **FAN2/FAN3** fan power connector on the mainboard. If there is an infrared port installed in the system chassis, connect the cable from the infrared port to the **J3** IR port header on the mainboard. Connect the case switches and indicator LEDs to the **J4** switch and LED connector header, see the illustration below for a guide to the connector pin assignments.



2: Mainboard Installation

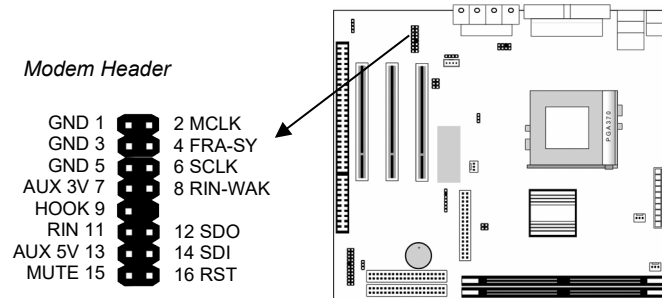
Install the Extension Brackets

The extension brackets are used to connect features on the mainboard to external connectors that can be attached to the system chassis. Follow the steps below to install the extension brackets.

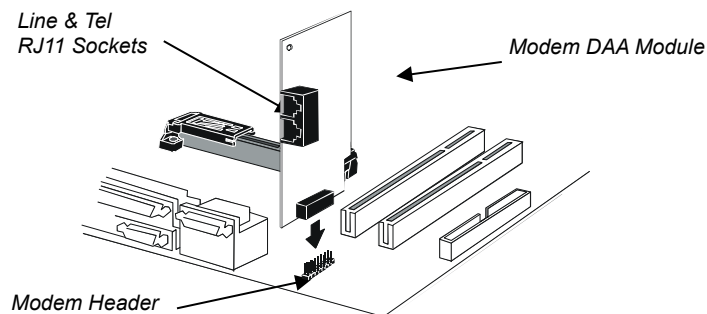
Note: All the ribbon cables used on the extension brackets have a red stripe on the Pin-1 side of the cable.

Fax/Modem Module

The Fax/Modem DAA module plugs directly into the mainboard in line with to an expansion slot opening in the system chassis. When you remove the slot cover from the system chassis, you can access the LINE and TEL RJ11 connectors on the metal edge of the Fax/Modem DAA module.



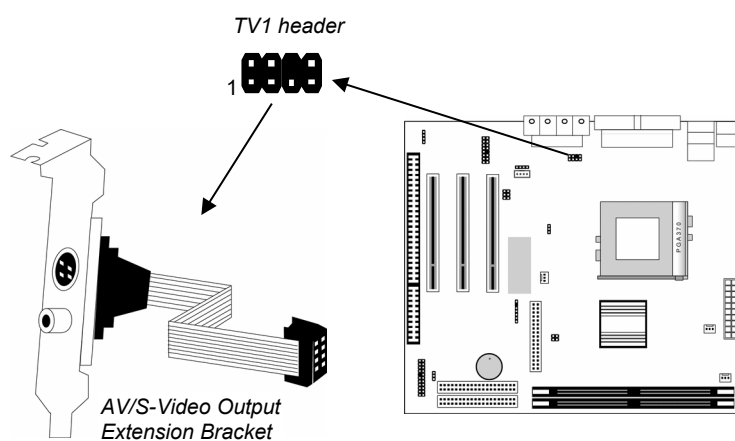
1. Locate the modem header on the mainboard.
2. Remove the modem header slot cover.
3. Plug the Fax/Modem DAA module into the modem header.
4. Use the screw that held the blanking plate in place to secure the Fax/Modem DAA module.



Mainboard User's Manual

AV/S-Video Output Extension Bracket

This bracket has an AV jack and a S-Video jack for the television out.

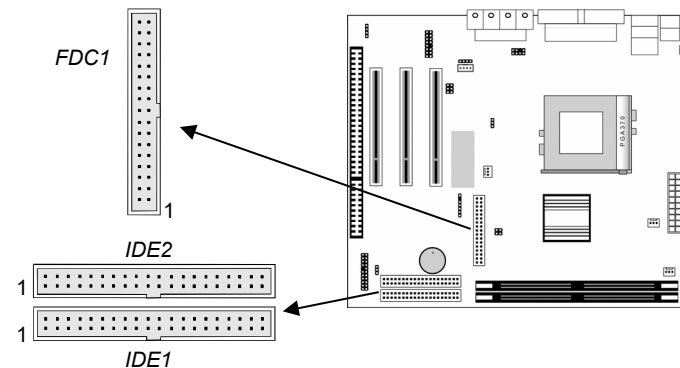


1. On the mainboard, locate the TV1 header for this bracket.
2. Plug the cable from the bracket into the TV1 header.
3. In the system chassis, remove a blanking plate from one of the expansion slots and install the extension bracket in the slot. Use the screw that held the blanking plate in place to secure the extension bracket.

2: Mainboard Installation

Install Other Devices

Install and connect any other devices in the system following the steps below.



Floppy Disk Drive

The mainboard ships with a floppy disk drive cable that can support one or two drives. Drives can be 3.5" or 5.25" wide, with capacities of 360K, 720K, 1.2MB, 1.44MB, or 2.88MB.

Install your drives and connect power from the system power supply. Use the cable provided to connect the drives to the floppy disk drive header **FDC1**.

IDE Devices

IDE devices include hard disk drives, high-density diskette drives, and CD-ROM or DVD-ROM drives, among others.

The mainboard ships with an IDE cable that can support one or two IDE devices. If you connect two devices to a single cable, you must configure one of the drives as Master and one of the drives as Slave. The documentation of the IDE device will tell you how to configure the device as a Master or Slave device. The Master device connects to the end of the cable.

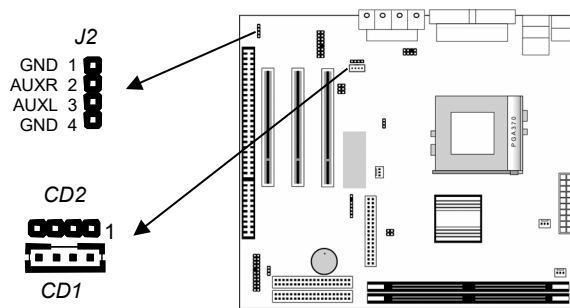
Install the device(s) and connect power from the system power supply. Use the cable provided to connect the device(s) to the Primary IDE channel connector **IDE1** on the mainboard.

Mainboard User's Manual

If you want to install more IDE devices, you can purchase a second IDE cable and connect one or two devices to the Secondary IDE channel connector **IDE2** on the mainboard. If you have two devices on the cable, one must be Master and one must be Slave.

Internal Sound Connections

If you have installed a CD-ROM drive or DVD-ROM drive, you can connect the drive audio cable to the onboard sound system. On the mainboard, locate the two 4-pin connectors **CD1** and **CD2**. There are two kinds of connector because different brands of CD-ROM drive have different kinds of audio cable connectors. Connect the cable to the appropriate connector.



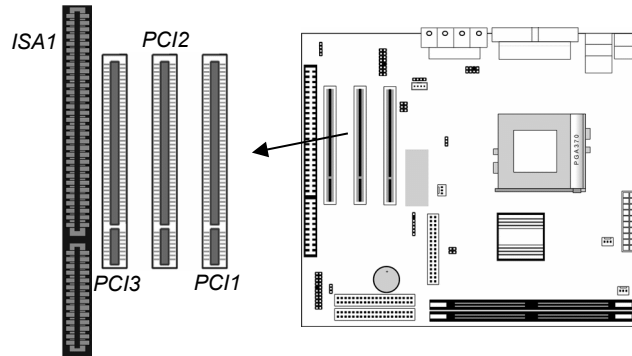
Aux-In Connection

If you have installed a secondary CD-ROM drive or DVD-ROM drive, you can connect the drive audio cable to the onboard sound system. On the mainboard, locate the 4-pin Aux-In header **J2**, connect the cable to the header.

2: Mainboard Installation

Expansion Slots

This mainboard has three 32-bit PCI and one 8/16-bit ISA expansion slots.



Follow the steps below to install a PCI/ISA expansion card.

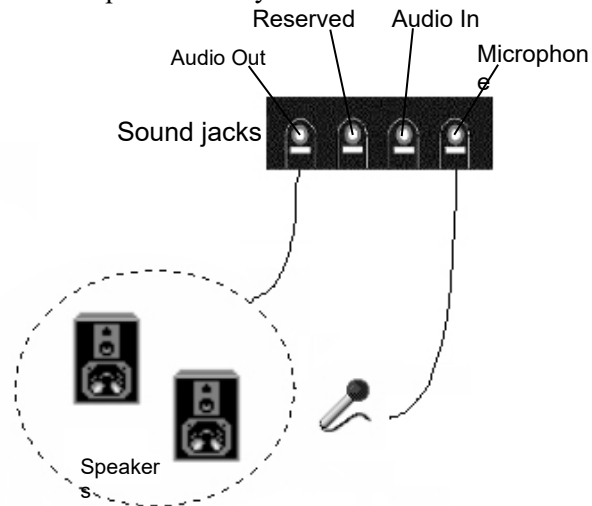
1. Locate a free PCI/ISA slot on the mainboard.
2. Remove the slot cover for the expansion slot from the system chassis.
3. Insert the expansion card edge connector into the slot and press it firmly down into it so that it is fully inserted.
4. Secure the expansion card bracket to the system chassis using the screw that held the slot cover in place.

Mainboard User's Manual

Audio System Applications

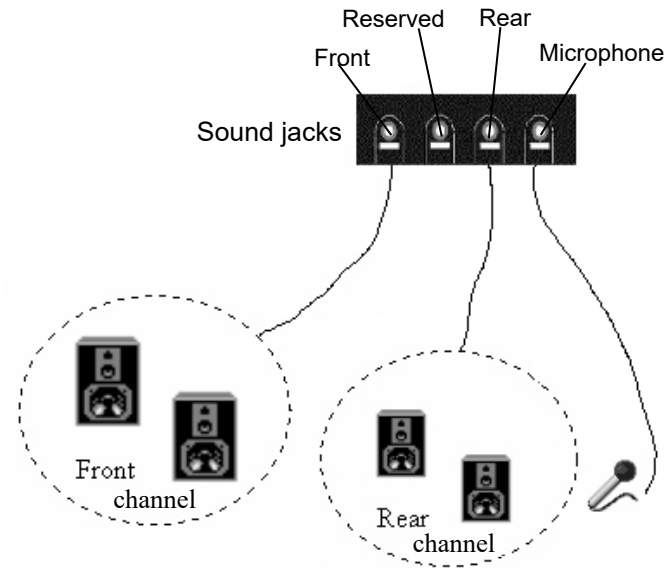
There are three configurations of 2-channel speaker-out, 4-channel speaker-out and 6-channel speaker-out for the onboard audio system applications. You have to connect the speakers and the microphone to the correct phone-jack as follows.

1. 2-Channel Speaker-out System

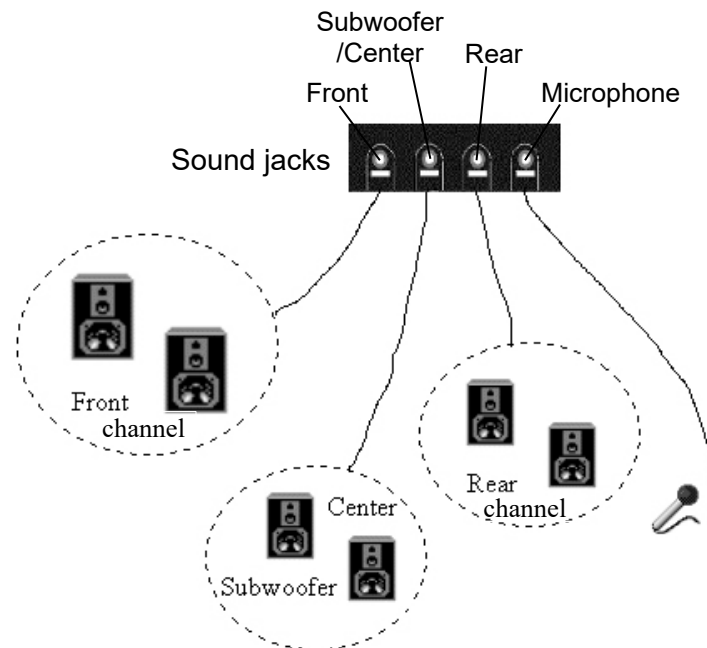


2. 4-Channel Speaker-out System

2: Mainboard Installation



3. 6-Channel Speaker-out System



Mainboard User's Manual

2: Mainboard Installation

Chapter 3

BIOS Setup Utility

Introduction

The BIOS Setup Utility records settings and information about your computer such as the date and time, the kind of hardware installed, and various configuration settings. Your computer uses this information to initialize all the components when booting up and functions as the basis for coordination between system components.

If the Setup Utility configuration is incorrect, it may cause the system to malfunction. It can even stop your computer from booting properly. If this happens, you can use the clear CMOS jumper to clear the CMOS memory used to store the configuration information, or you can hold down the **Page Up** key while you reboot your computer. Holding down the **Page Up** key also clears the setup information.

You can run the setup utility and manually make changes to the configuration. You might need to do this to configure some of the hardware that you install on or connect to the mainboard, such as the CPU, system memory, disk drives, etc.

3: BIOS Setup Utility

Running the Setup Utility

Each time your computer starts, before the operating system loads, a message appears on the screen that prompts you to “*Hit if you want to run SETUP*”. When you see this message, press the **Delete** key and the Main menu page of the Setup Utility appears on your monitor.

| | |
|--|------------------|
| Standard CMOS Setup | Features Setup |
| Advanced Setup | CPU PnP Setup |
| Power Management Setup | Hardware Monitor |
| PCI / Plug and Play Setup | Change Password |
| Load Optimal Settings | Exit |
| Load Best Performance Settings | |
| ESC: Quit ↑↓←→ : Select Item (Shift)F2 : Change Color F5 : Old Values | |
| F6: Optimal values F7: Best performance values F10: Save&Exit | |

You can use the cursor arrow keys to highlight any of the options on the main menu page. Press **Enter** to select the highlighted option. To leave the setup utility, press the **Escape** key. To cycle through the Setup Utility’s optional color schemes hold down the **Shift** key and press **F2**.

Some of the options on the main menu page lead to tables of items with installed values. In these pages, use the cursor arrow keys to highlight the items, and then use the **PgUp** and **PgDn** keys to cycle through the alternate values for each of the items. Other options on the main menu page lead to dialog boxes which require you to answer Yes or No by hitting the **Y** or **N** keys.

If you have already made changes to the setup utility, press **F10** to save those changes and exit the utility. Press **F5** to reset the changes to the original values. Press **F6** to install the setup utility with a set of default values. Press **F7** to install the setup utility with a set of high-performance values.

Mainboard User's Manual

Standard CMOS Setup Page

Use this page to set basic information such as the date and time, the IDE devices, and the diskette drives. If you press the F3 key, the system will automatically detect and configure the hard disks on the IDE channels.

| | | | | | | | | | | |
|--|--------|------|------|------|-------|-----|--|----------|----------|------------|
| Date (mm/dd/yy) : Tue Apr 24, 2001 Time (hh/mm/ss) : 14:26:53 | | | | | | | | | | |
| | Type | Size | Cyln | Head | WPcom | Sec | LBA Mode | Blk Mode | PIO Mode | 32Bit Mode |
| Pri Master | : Auto | | | | | | | | | On |
| Pri Slave | : Auto | | | | | | | | | On |
| Sec Master | : Auto | | | | | | | | | On |
| Sec Slave | : Auto | | | | | | | | | On |
| Floppy Drive A : 1.44MB 3 1/2" Floppy Drive B : Not Installed | | | | | | | | | | |
| Month : Jan – Dec Day : 01 – 31 Year : 1901 – 2099 | | | | | | | ESC : Exit ↑↓ : Select Item PU/PD/+/- : Modify (Shift)F2 : Color F3 : Detect All HDD | | | |

| | |
|--|--|
| Date & Time | Use these items to set the system date and time |
| Pri Master Pri Slave Sec Master Sec Slave | Use these items to configure devices connected to the Primary and Secondary IDE channels. To configure an IDE hard disk drive, choose <i>Auto</i> . If the <i>Auto</i> setting fails to find a hard disk drive, set it to <i>User</i> , and then fill in the hard disk characteristics (Size, Cyls, etc.) manually. If you have a CD-ROM drive, select the setting <i>CDROM</i> . If you have an ATAPI device with removable media (e.g. a ZIP drive or an LS-120) select <i>Floptical</i> . |
| Floppy Drive A Floppy Drive B | Use these items to set the size and capacity of the floppy diskette drive(s) installed in the system. |

3: BIOS Setup Utility

Advanced Setup Page

Use this page to set more advanced information about your system. Take some care with this page. Making changes can affect the operation of your computer.

| | | |
|-----------------------------|----------|---|
| Trend ChipAway Virus | Disabled | |
| Share Memory Size | 16MB | |
| 1 st Boot Device | IDE-0 | |
| 2 nd Boot Device | Floppy | |
| 3 rd Boot Device | CDROM | |
| Try Other Boot Devices | Yes | |
| S.M.A.R.T. for Hard Disks | Disabled | |
| BootUp Num-Lock | On | |
| Floppy Drive Swap | Disabled | |
| Floppy Drive Seek | Disabled | |
| PS/2 Mouse Support | Enabled | |
| Password Check | Setup | |
| Boot To OS/2 > 64MB | No | |
| L1 Cache | Enabled | |
| System BIOS Cacheable | Enabled | |
| Graphics Aperture Size | 64MB | |
| SDRAM CAS Latency | 3 | |
| | | ESC : Quit ↑↓←→ : Select Item F1 : Help PU/PD/+/- : Modify F5 : Old Values (Shift)F2 : Color F6 : Load Optimal values F7 : Load Best performance values |

| | |
|---|--|
| Trend ChipAway Virus | This mainboard has built-in virus protection in the BIOS. Use this item to enable or disable the built-in virus protection. If the OS (like Windows 98SE Japanese Version) needs to run EMM386.EXE and this item is enable, please add the NOEMS parameter (e.g.: EMM386 NOEMS) on it. |
| Share Memory Size | This item lets you allocate a portion of the main memory for use by the onboard VGA display. |
| 1st Boot Device 2nd Boot Device 3rd Boot Device | Use these items to determine the device order the computer uses to look for an operating system to load at start-up time. |
| Try Other Boot Devices | If you enable this item, the system will also search for other boot devices if it fails to find an operating system from the first two locations. |
| S.M.A.R.T. for Hard Disks | Enable this item if any IDE hard disks support the S.M.A.R.T. (Self-Monitoring, Analysis and Reporting Technology) feature. |
| BootUp Num-Lock | This item determines if the Num Lock key is active or inactive at system start-up time. |

Mainboard User's Manual

| | |
|-------------------------------|--|
| Floppy Drive Swap | If you have two diskette drives installed and you enable this item, drive A becomes drive B and drive B becomes drive A. |
| Floppy Drive Seek | If you enable this item, your system will check all floppy disk drives at start up. Disable this item unless you are using an old 360KB drive. |
| PS/2 Mouse Support | If this item is set to Enabled, the onboard PS/2 Mouse port will work. Setting this to Disable turns off the port. |
| Password Check | If you have entered a password for the system, use this item to determine if the password is required to enter the Setup Utility (<i>Setup</i>) or required both at start-up and to enter the Setup Utility (<i>Always</i>). |
| Boot to OS/2 > 64MB | Enable this item if you are booting the OS/2 operating system and you have more than 64MB of system memory installed. |
| L1 Cache | Leave this item enabled since all the processors that can be installed on this board have internal cache memory. |
| System BIOS Cacheable | If you enable this item, a segment of the system BIOS will be cached to main memory for faster execution. |
| Graphics Aperture Size | This item determines the operation of the onboard graphics adapter. We recommend that you leave this item at the default value. |
| SDRAM CAS Latency | This item determines the operation of the SDRAM memory CAS (column address strobe). We recommend that you leave this item at the default value. The 2T setting requires faster memory that specifically supports this mode. |

3: BIOS Setup Utility

Power Management Setup Page

This page sets some of the parameters for system power management operation.

| | | |
|----------------------|-----------|---|
| Power Management/APM | Disabled | |
| Standby Time Out | Disabled | |
| Suspend Time Out | Disabled | |
| Ring On Power On | Disabled | |
| RTC Alarm Power On | Disabled | |
| RTC Alarm Date | Every Day | |
| RTC Alarm Hour | 12 | |
| RTC Alarm Minute | 30 | |
| RTC Alarm Second | 30 | |
| | | ESC : Quit ↑↓←→ : Select Item F1 : Help PU/PD/+/- : Modify F5 : Old Values (Shift)F2 : Color F6 : Load Optimal values F7 : Load Best performance values |

| | |
|----------------------------------|--|
| Power Management/APM | Use this item to enable or disable a power management scheme. If you enable power management, you can use the items below to set the power management operation. Both APM and ACPI are supported. |
| Standby Time Out (Minute) | This sets the timeout for Standby mode in minutes. If the time selected passes without any system activity, the computer will enter power-saving Standby mode. |
| Suspend Time Out (Minute) | This sets the timeout for Suspend mode in minutes. If the time selected passes without any system activity, the computer will enter power-saving Suspend mode. |
| Ring On Power On | The system can be turned off with a software command. If you enable this item, the system can automatically resume if there is an incoming call on the Fax/Modem. You must use an ATX power supply in order to use this feature. |

Mainboard User's Manual

| | |
|---------------------------|---|
| RTC Alarm Power On | The system can be turned off with a software command. If you enable this item, the system can automatically resume at a fixed time based on the system's RTC (realtime clock). Use the items below this one to set the date and time of the wake-up alarm. You must use an ATX power supply in order to use this feature. |
|---------------------------|---|

PCI / Plug and Play Setup Page

This page sets some of the parameters for devices installed on the PCI bus and devices that use the system plug and play capability.

| | | |
|--------------------------|---------|---|
| Plug and Play Aware O/S | Yes | |
| Primary Graphics Adapter | PCI | |
| Assign IRQ for VGA | Yes | |
| DMA Channel 0 | PnP | |
| DMA Channel 1 | PnP | |
| DMA Channel 3 | PnP | |
| DMA Channel 5 | PnP | |
| DMA Channel 6 | PnP | |
| DMA Channel 7 | PnP | |
| IRQ3 | PCI/PnP | |
| IRQ4 | PCI/PnP | |
| IRQ5 | PCI/PnP | |
| IRQ7 | PCI/PnP | |
| IRQ9 | PCI/PnP | |
| IRQ10 | PCI/PnP | |
| IRQ11 | PCI/PnP | |
| IRQ14 | PCI/PnP | |
| IRQ15 | PCI/PnP | |
| | | ESC : Quit ↑↓←→ : Select Item F1 : Help PU/PD/+/- : Modify F5 : Old Values (Shift)F2 : Color F6 : Load Optimal values F7 : Load Best performance values |

| | |
|---------------------------------|---|
| Plug and Play Aware O/S | Enable this item if you are using an O/S that supports Plug and Play such as Windows 95 or 98. |
| Primary Graphics Adapter | This item indicates if the primary graphics adapter uses the PCI or the AGP bus. The default PCI setting still lets the onboard display work and allows the use of a second display card installed in a PCI slot. |
| Assign IRQ for VGA | If this item is enabled, an IRQ will be assigned to the PCI VGA graphics system. You set this value to No to free up an IRQ. |

3: BIOS Setup Utility

| | |
|----------------------|---|
| DMA Channel X | If you set this to PnP, the system will dynamically allocate DMA channels as they are required. If you set a DMA channel to ISA/EISA, it will be reserved for a non-plug and play ISA or EISA device. |
| IRQ X | If you set this to PCI/PnP, the system will dynamically allocate IRQs as they are required. If you set an IRQ to ISA/EISA, it will be reserved for a non-plug and play ISA or EISA device. |

Load Optimal Settings

If you select this item and press **Enter** a dialog box appears. If you press **Y**, and then **Enter**, the Setup Utility loads a set of fail-safe default values. These default values are not very demanding and they should allow your system to function with most kinds of hardware and memory chips.

Load Best Performance Settings

If you select this item and press **Enter** a dialog box appears. If you press **Y**, and then **Enter**, the Setup Utility loads a set of best-performance default values. These default are quite demanding and your system might not function properly if you are using slower memory chips or other low-performance components.

Mainboard User's Manual

Features Setup Page

This page sets some of the parameters for peripheral devices connected to the system.

| | | |
|------------------------|-----------|------------------------------------|
| OnBoard FDC | Enabled | |
| OnBoard Serial Port | 3F8h/COM1 | |
| OnBoard Ir Port | Disabled | |
| Ir Port Mode | N/A | |
| Ir Port IRQ | N/A | |
| Ir Port DMA | N/A | |
| Ir Transceiver Type | N/A | |
| Ir Half-Duplex TimeOut | N/A | |
| OnBoard Parallel Port | 378h | |
| Parallel Port Mode | Normal | |
| EPP Version | N/A | |
| Parallel Port IRQ | 7 | |
| Parallel Port DMA | N/A | |
| OnBoard IDE | Both | |
| Ultra DMA Support | Disabled | |
| OnBoard Sound | Enabled | ESC : Quit ↑↓←→ : Select Item |
| OnBoard Modem | Enabled | F1 : Help PU/PD/+/- : Modify |
| OnBoard USB Function | Enabled | F5 : Old Values (Shift)F2 : Color |
| USB Function for DOS | Disabled | F6 : Load Optimal values |
| | | F7 : Load Best performance values |

| | |
|------------------------------|--|
| OnBoard FDC | Use this item to enable or disable the onboard floppy disk drive interface. |
| OnBoard Serial Port | Use this item to enable or disable the onboard COM1 serial port, and to assign a port address |
| OnBoard Ir Port | Use this item to define the protocol for an infrared port if you have installed an optional IR port. The choices are IrDA and ASKIR. |
| Ir Port Mode | Use these items to define the settings for an infrared port if you have installed an optional IR port. |
| Ir Port IRQ | |
| Ir Port DMA | |
| Ir Transceiver ... | |
| Ir Half-Duplex ... | |
| OnBoard Parallel Port | Use this item to enable or disable the onboard LPT1 parallel port, and to assign a port address. The Auto setting will detect and available address. |

3: BIOS Setup Utility

| | |
|-----------------------------|--|
| Parallel Port Mode | Use this item to set the parallel port mode. You can select SPP (Standard Parallel Port), ECP (Extended Capabilities Port), EPP (Enhanced Parallel Port), or ECP + EPP. |
| EPP Version | Use this item to set the version of EPP while the parallel port mode is set to EPP. |
| Parallel Port IRQ | Use this item to assign either IRQ 5 or 7 to the parallel port. |
| Parallel Port DMA | Use this item to assign a DMA channel to the parallel port. The options are 0, 1 and 3. |
| Onboard IDE | Use this item to enable or disable either or both of the onboard Primary and Secondary IDE channels. |
| Ultra DMA Support | Use this item to set Ultra DMA support for IDE devices on the Primary or Secondary IDE channels. You must enable this or UDMA devices will not work at their intended speed. |
| OnBoard Sound | This item enables or disables the onboard audio chip. |
| OnBoard Modem | This item enables or disables the onboard modem chip. |
| OnBoard USB Function | Enable this item if you plan to use the USB ports on this mainboard. |
| USB Function for DOS | Enable this item if you plan to use the USB ports on this mainboard in a DOS environment. |

Mainboard User's Manual

CPU PnP Setup Page

This page lets you manually configure the mainboard for the CPU. The system will automatically detect the kind of CPU that you have installed and make the appropriate adjustments to the items on this page.

Note: If you manually set the wrong speed and the system won't run properly, press the **Page Up** key while the system is booting and a default setting will replace the incorrect CPU setting.

| | | |
|---------------|------------|---|
| CPU Type | Intel PIII | |
| CPU Speed | 600 MHz | |
| CPU Ratio | 6.0x | |
| CPU Frequency | 100MHz | |
| | | ESC : Quit ↑↓←→ : Select Item F1 : Help PU/PD/+/- : Modify F5 : Old Values (Shift)F2 : Color F6 : Load Optimal values F7 : Load Best performance values |

| | |
|---|--|
| CPU Type; CPU Speed; CPU Frequency | These items display only the type/internal clock speed/frequency of the installed CPU. |
| CPU Ratio | Use this item to set a multiplier for the CPU external frequency. The multiplier times the external CPU frequency sets the internal clock speed of the CPU, e.g. 100 MHz (external clock or "FSB") x 6.0 (multiplier) = 600 MHz (internal clock speed of the installed CPU). |

3: BIOS Setup Utility

Hardware Monitor Page

This page sets some of the parameters for the hardware monitoring function of this mainboard.

| | |
|---|-----------|
| --- Hardware Monitor --- | |
| System Temperature | |
| CPU Temperature | 30°C/86°F |
| System Fan | |
| CPU Fan | |
| Vcc | 5.000 V |
| Vcc3 | 3.300 V |
| Vcore | 2.000 V |
| + 12V | 12.000 V |
| ESC : Quit ↑↓←→ : Select Item F1 : Help PU/PD/+/- : Modify F5 : Old Values (Shift)F2 : Color F6 : Load Optimal values F7 : Load Best performance values | |

| | |
|--|---|
| CPU, System Temperature | These items display CPU and the system temperature measurement. The system will alert you if a safe temperature is exceeded. |
| FANs & Voltage Measurements | These items indicate cooling fan speeds in RPM and the various system voltage measurements. If the values deviate beyond certain limits, the hardware monitoring feature will alert you with a warning. |

Change Password

If you highlight this item and press **Enter**, a dialog box appears which lets you enter a Supervisor password. You can enter no more than six letters or numbers. Press **Enter** after you have typed in the password. A second dialog box asks you to retype the password for confirmation. Press **Enter** after you have retyped it correctly. The password is then required to access the Setup Utility or for that and at start-up, depending on the setting of the Password Check item in Advanced Setup.

Mainboard User's Manual

Change or Remove the Password

Highlight this item, press **Enter** and type in the current password.
At the next dialog box, type in the new password, or just press **Enter** to disable password protection.

Exit

Highlight this item and press **Enter** to save the changes that you have made in the Setup Utility configuration and exit the program.
When the Save and Exit dialog box appears, press **Y** to save and exit, or press **N** to exit without saving.

3: BIOS Setup Utility

Chapter 4

Software & Applications

Introduction

The support software CD-ROM that is included in the mainboard package contains all the drivers and utility programs needed to properly run our products. Below you can find a brief description of each software program, and the location for your mainboard version. More information on some programs is available in a README file, located in the same directory as the software.

If the operating system used in your system is Windows 98, it will automatically install all the drivers and utilities for your board. See the Installing under Windows 98 section.

Installing Support Software

The software on the support CD-ROM is for Windows 95/NT/2000 and Windows 98. The installation procedure differs depending on which Operating System you have, but the automatic installation is now for Win98 only.

Installing under Windows 95/NT/2000

To install support software for Windows 95/NT/2000 follow this general procedure:

1. Insert the support CD-ROM disc in the CD-ROM drive.
(The system might get an error message from the PnP function. Don't care the message. You don't really need that file to install the drivers)
2. Use My Computer or Windows Explorer to look at the directory structure. You must use the Open command in the right-button menu. Double-clicking on the drive icon will result in an error message because the disc's AutoRun feature doesn't work in Windows 95/NT/2000.
3. Execute the EXE file name given in the description below.

4: Software & Applications

*Note: The correct path name for each software driver is provided, where **D:** identifies the CD-ROM drive letter – modify if necessary.*

Bus Master IDE Driver

The IDE Bus Master Drivers allow the system to properly manage the IDE channels on the mainboard. This driver is available for:

- ◆ Win9x – D:\IDE\GFXPRO\Setup.exe

Display Drivers and Software

Find the Display drivers here:

- ◆ D:\VGA\GFXPRO\

Audio Driver

The Audio driver allows the system to use the onboard audio circuitry. Find the driver and audio applications here:

- ◆ D:\SOUND\Driver\C-Media\

Fax/Modem Drivers and Software

Find the fax/modem drivers and software here:

- ◆ D:\Modem\Driver\PCI\
- ◆ D:\Modem\SuperVoice\ [Telecom management software]
- ◆ D:\Modem\MediaRingTalk\

Network Adapter Driver

Find the network interface driver here:

- ◆ D:\LAN\SIS900

USB Driver

The USB Driver allows the system to recognize the USB ports on the mainboard. You need to install this driver if you are running Windows 95. Windows 95 OSR2 does not require this driver.

This driver is available for:

- ◆ Win95 – D:\USB\EUSBSUPP\USBSUPP.EXE
- ◆ Win95 (Chinese) – D:\USB\CUSBSUPP\CUSBSUPP.EXE

Mainboard User's Manual

3Deep Software

Find the software here:

- ◆ D:\3Deep\3Deep 3.3\Setup.EXE

BIOS Update Utility

The BIOS Update utility allows you to update the BIOS file on the mainboard to a newer version. You can download the latest version of the BIOS setup available for your mainboard from the website.

- ◆ D:\UTILITY\AMINFxxx.EXE

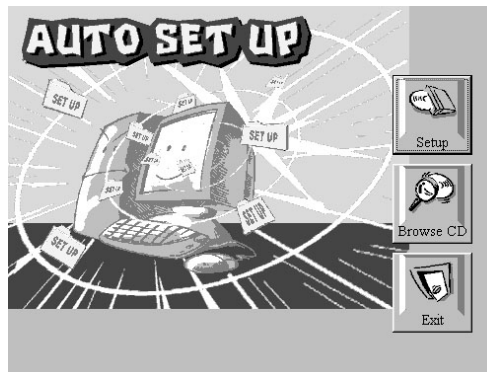
PC-Cillin Software

The PC-cillin software program provides anti-virus protection for your system. Find the software here:

- ◆ D:\PC-CILLIN\

Installing under Windows 98

The support software CD-ROM disc loads automatically under Windows 98. When you insert the CD-ROM disc in the system CD-ROM drive the Autorun feature will automatically bring up the install screen. The screen has three buttons on it, Setup, Browse CD and Exit. See the following screen illustration.



When you click on the **Setup** button the software installation program will run and you can select what kind of installation you want to do, as explained later in this section.

4: Software & Applications

The **Browse CD** button is the standard Windows command that allows you to examine the contents of the disc using the Windows 98 file browsing interface.

The **Exit** button closes the Auto Setup window. To run the program again, reinsert the CD-ROM disc in the drive or click on AutoRun in the context sensitive menu for the CD-ROM drive icon in a file browser window.

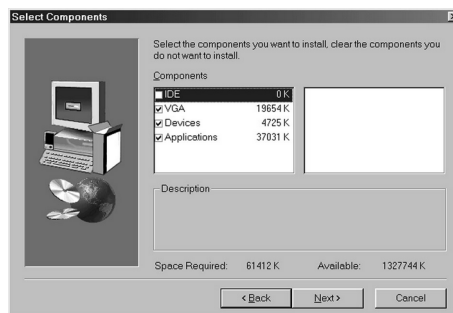
Installing Software with Auto Setup

To install support software for the system board follow this procedure:

1. Click on the **Setup** button. The install program will load and display the following screen. Click the **Next** button.



2. Select the items that you want to setup by clicking on it (the default options are recommended). Click the **Next** button to proceed.



3. The support software will automatically install.

Mainboard User's Manual

Once any of the installation procedures start, software is automatically installed in sequence. You will need to follow the onscreen instructions, confirm commands and allow the computer to restart as few times as is needed to complete installing whatever software you selected to install. When the process is finished, all the support software will be installed and working.

There are some utilities that you have to manually install if you need, check to the above section.