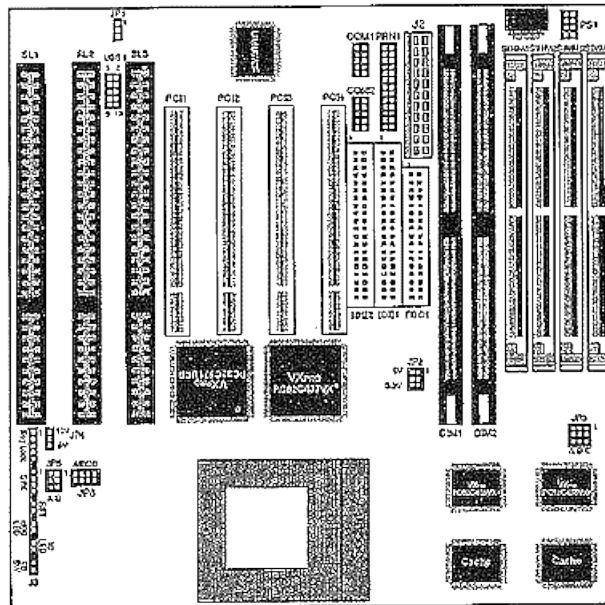
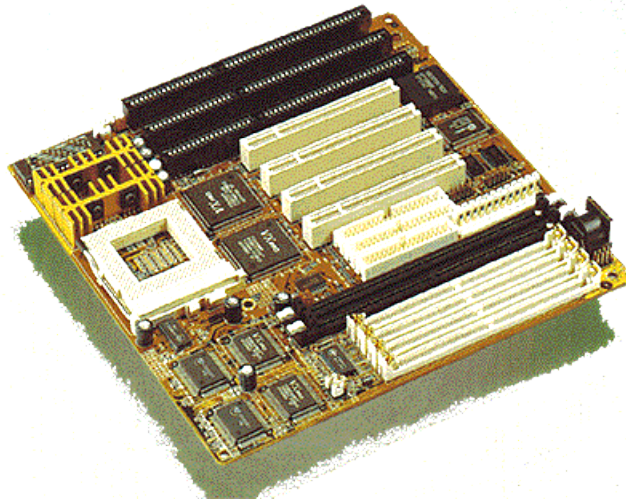


- **M537 MainBoard. *Key Features***

M537 Specification

- VXRpro 586 chipset: new technology for MMX™ CPUs (including Intel MMX™ P55C, Cyrix M2, and AMD K6)
- Supports 75/90/100/120/133/166/180/200/233 MHz Pentium™ CPUs with 321pin ZIF socket
- Supports Pentium™ P54C and P55C
- Supports Cyrix 6x86, M2, IBM 6x86, and AMD K5/K6 CPUs
- Uses four 72-pin EDO/Page Mode SIMM modules auto banking in multiple configuration up to 256MB
- Provides 2x168-pin DIMM to support SDRAM/EDO DRAM/Page Mode DRAM
- Supports "Table Free" configuration so that DIMM and SIMM can be installed in any combination, except that SIMM 1, 2 and DIMM 2 can not be installed at the same time
- Supports up to 384MB of system memory through SIMM and DIMM Sockets
- Supports 512K on board Pipelined Burst synchronous cache
- Four PCI Local Bus slots and three 16 bits ISA Bus slots
- All four PCI slots support Master Mode
- System BIOS supports four IDE hard disk drives without device driver for S/W application and the capacity of each hard disk can be larger than 528MB up to 8.4GB
- Onboard PCI Bus Master IDE interface with two connectors supports four IDE devices in 2 channels and the PCI IDE Controller supports PIO Mode 0 to Mode 4 at maximum transfer rate of 16.67MB/s and Bus Master IDE DMA Mode 2
- Onboard super Multi-I/O chip that supports two serial ports with 16550 Fast UART compatible, one parallel port with EPP and ECP capabilities, and one floppy disk drive interface
- Supports PS/2™ mouse
- Supports the Universal Serial Bus (USB)
- System BIOS supports NCR810 SCSI BIOS firmware and Green feature function
- "Plug and Play" Flash ROM.

M537



{ Data from M537 manual }

Keyboard Connector

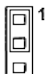
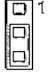
Pin	Description
1	Keyboard Clock
2	Keyboard Data
3	N.C.
4	Ground
5	+ 5VDC

Power Supply Connectors

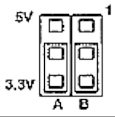
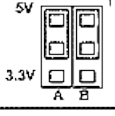
Pin	Description	Pin	Description
1	Power Good	7	Ground
2	+ 5V DC	8	Ground
3	+ 12V DC	9	- 5V DC
4	- 12V DC	10	+ 5V DC
5	Ground	11	+ 5 V DC
6	Ground	12	+ 5V DC

M537 Mainboard

CMOS RAM Discharge Jumper

Pin	Description	Description	JP1
1	Internal Battery Positive	Internal Battery Mode	 1
2	Connector to CMOS	Discharge CMOS	 1
3	Ground		

DIMM Module Voltage Selector

Description	JP2
For SDRAM DIMM Module (3.3V)	
For EDO DRAM / Fast Page DRAM DIMM Module (5V)	

J3: RST (Reset Switch Connector)

Setting	Description
Open	Normal Mode
Short	Reset System

J3: KEYLOCK (Keylock & Power LED Connector)

Pin	Description
1	LED Output
2	N.C.
3	Ground
4	Keylock
5	Ground

J3 TB LED (Turbo LED Connector)

Pin	Description
1	Anode(+)
2	Cathode(-), Ground

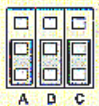



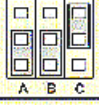
J3 SPK (Speaker Connector)

Pin	Description
1	DATA Out
2	N.C.
3	Ground
4	+ 5V





J3 HDD LED (Hard Disk LED Connector)

Pin	Description
1	5V
2	Active Low

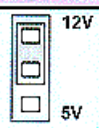
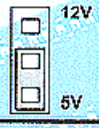
CPU Speed Jumpers

CPU Clock	JP3A~C	CPU Clock	JP3A~C
50MHz		66MHz	
55MHz		75MHz	
60MHz			





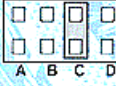
CPU Internal Clock Speed Jumpers

Intel	Cyrix	AMD	JP5
1.5X	Reserved	1.5X	
2.0X	2.0X	Reserved	
2.5X	Reserved	2.5X	
3.0X	Reserved	3.0X	

Flash ROM Voltage Jumper

Description	JP4
12 Volt Flash programming	
5 Volt Flash programming	

JP6-A, B, C, D: CPU Voltage Regulator Output

	Setting		Setting
3.5V		2.7V	
2.9V		2.5V	
2.8V			

PS1: PS/2 Mouse Connector

Pin	Description
1	Mouse Data
2	N.C.
3	Ground
4	+5V
5	Mouse CLK
6	N.C.

USB1: 2 Sets of Universal Serial Bus Connector

Pin	Description
1,2	+5 VDC
3,4	Data -
5,6	Data +
7,8	Ground
9,10	Ground