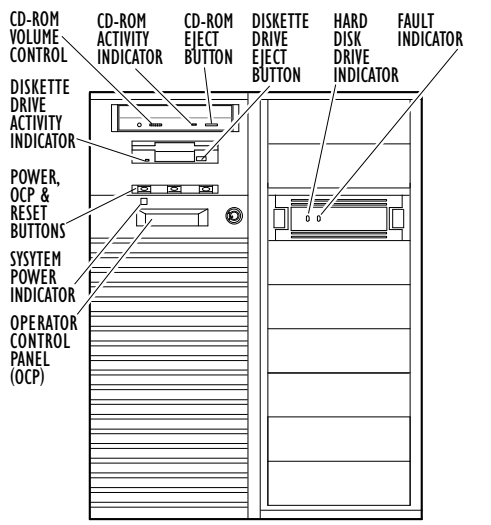
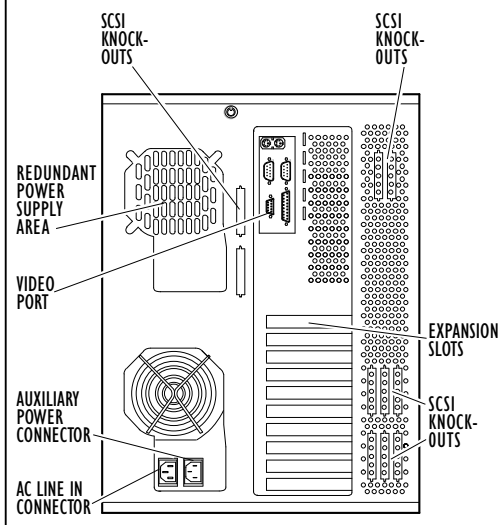


## FRONT PANEL CONTROLS & INDICATORS



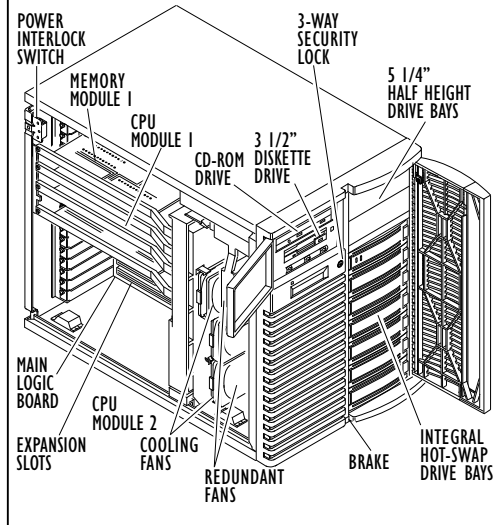
DEC00740

## REAR PANEL CONNECTORS



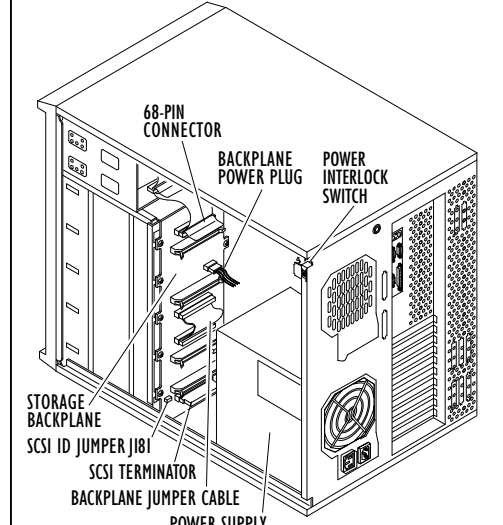
DEC00741

## SERVER COMPONENTS LEFT SIDE



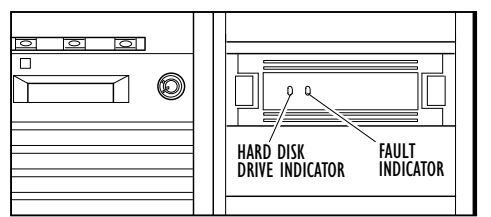
DEC00725

## SERVER COMPONENTS RIGHT SIDE



DEC00734

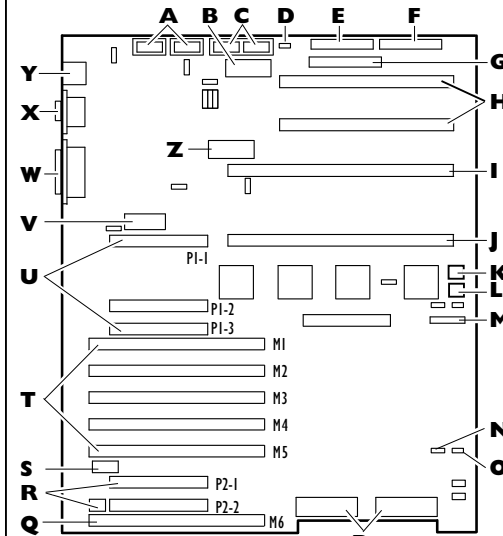
## STORAGE BUILDING BLOCK (SBB) LED INDICATORS



| ACTIVITY STATUS LED | FAULT STATUS LED | INDICATION   |
|---------------------|------------------|--|
| ON                  | OFF              | DEVICE IS OPERATING PROPERLY.                                      |
| FLASHING            | OFF              | DEVICE IS OPERATING PROPERLY.                                      |
| OFF                 | OFF              | DEVICE IS INACTIVE AND OPERATING NORMALLY. THERE IS NO FAULT.      |
| ON                  | ON               | FAULT STATUS, DEVICE IS HUNG. REPLACE SBB.                         |
| OFF                 | ON               | FAULT STATUS, DEVICE IS INACTIVE AND SPUN DOWN. REPLACE SBB.       |
| ON                  | FLASHING         | FAULT STATUS, DEVICE IS INACTIVE AND SPINNING DOWN DUE TO A FAULT. |

DEC00740

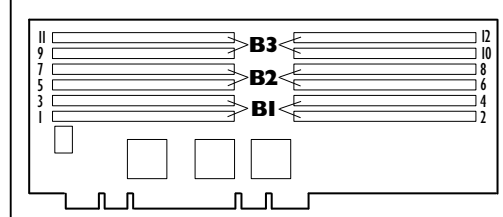
## MAIN LOGIC BOARD COMPONENTS & CONNECTORS



- A** 6-PIN POWER CONNECTORS (PS3 & PS4)
- B** +3.3V DC POWER CONNECTOR (PS5)
- C** 12-PIN POWER CONNECTOR (PS1 AND PS2)
- D** POWER SUPPLY ENABLE CONNECTOR
- E** DISKETTE DRIVE CONNECTOR
- F** FRONT PANEL CONNECTOR
- G** IDE CONNECTOR (NOT USED)
- H** MEMORY SLOT 1 & SLOT 2 CONNECTORS
- I** CPU MODULE SLOT 1 CONNECTOR (PRIMARY)
- J** CPU MODULE SLOT 2 CONNECTOR (SECONDARY)
- K** FAN 1 CONNECTOR
- L** SCSI HARD DISK DRIVE ACTIVITY CONNECTOR (LED 1)
- M** NOT USED
- N** SCSI HARD DISK DRIVE ACTIVITY CONNECTOR (LED)
- O** FAN 2 CONNECTOR
- P** SCSI CHANNELS A (RIGHT) AND B (LEFT) CONNECTORS
- Q** EISA MASTER EXPANSION BOARD SLOT 6 (M6)
- R** PCI EXPANSION BOARD SLOTS (P2-1 AND P2-2)
- S** +3.3V DC POWER CONNECTOR (PS6)
- T** EISA MASTER EXPANSION BOARD SLOTS 1-5 (M1-M5)
- U** PCI EXPANSION BOARD SLOTS (P1-1, P1-2, & P1-3)
- V** VIDEO MEMORY
- W** PARALLEL PORT (TOP) & VGA PORT (BOTTOM) CONNECTORS
- X** SERIAL PORTS 1 (TOP) & 2 (BOTTOM) CONNECTORS
- Y** PS/2-COMPATIBLE KEYBOARD (BOTTOM) AND MOUSE (TOP) CONNECTORS
- Z** REAL-TIME CLOCK (RTC)

DEC00726

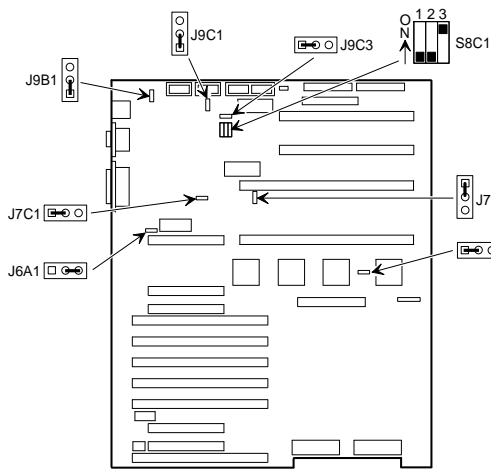
## MEMORY CONFIGURATIONS



| BANK 1 (SOCKETS 1-4) | BANK 2 (SOCKETS 5-8) | BANK 3 (SOCKETS 9-12) | TOTAL MEMORY |
|----------------------|----------------------|-----------------------|--------------|
| 8 MB                 |                      |                       | 32 MB        |
| 8 MB                 | 8 MB                 |                       | 64 MB        |
| 16 MB                |                      |                       | 64 MB        |
| 8 MB                 | 8 MB                 | 8 MB                  | 96 MB        |
| 16 MB                | 16 MB                |                       | 128 MB       |
| 32 MB                |                      |                       | 128 MB       |
| 16 MB                | 16 MB                | 16 MB                 | 192 MB       |
| 32 MB                | 32 MB                |                       | 256 MB       |
| 32 MB                | 32 MB                | 32 MB                 | 384 MB       |

DEC00728

## MAIN LOGIC BOARD SWITCH & JUMPER SETTINGS



| SWITCH | DESCRIPTION                                       | SETTING                            |
|--------|---|------------------------------------|
| S8C1-1 | CLEAR CMOS PROTECT CMOS <sup>(1)</sup>            | SW1, ON<br>SW1, OFF <sup>(1)</sup> |
| S8C1-2 | CLEAR PASSWORD ENABLE PASSWORD <sup>(1)</sup>     | SW2, ON<br>SW2, OFF <sup>(1)</sup> |
| S8C1-3 | ENABLE FLASHWRITE <sup>(1)</sup><br>DISABLE FLASH | SW3, ON <sup>(1)</sup><br>SW3, OFF |

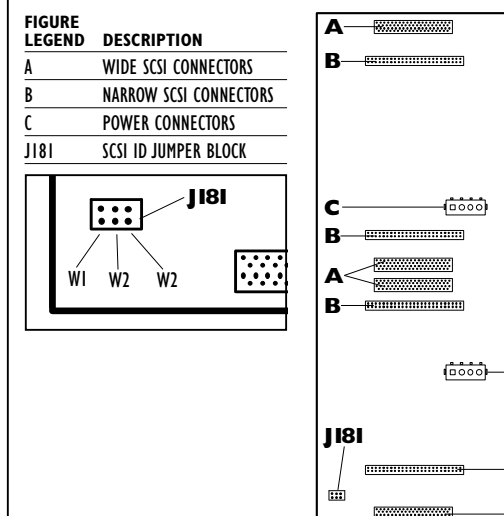
  

| JUMPER                   | DESCRIPTION                                  | SETTING   |
|--------------------------|--|---|
| TEST DEVELOPMENT VEHICLE | ENABLE <sup>(1)</sup><br>DISABLE             | J4H1, PINS 1 & 2 <sup>(1)</sup><br>J4H1, PINS 2 & 3 |
| VIDEO SLEEP              | REGISTER 46E8<br>REGISTER 3C3 <sup>(1)</sup> | J6A1, PINS 1 & 2<br>J6A1, PINS 2 & 3 <sup>(1)</sup> |
| PROGRAM BOOT BLOCK       | DISABLE <sup>(1)</sup><br>ENABLE             | J7C1, PINS 1 & 2 <sup>(1)</sup><br>J7C1, PINS 2 & 3 |
| BOOT BLOCK               | DISABLE <sup>(1)</sup><br>ENABLE             | J7D2, PINS 1 & 2 <sup>(1)</sup><br>J7D2, PINS 2 & 3 |
| FLOPPY DRIVE 1 (FD1)     | 1.44 MB <sup>(1)</sup><br>2.88 MB            | J9B1, PINS 1 & 2 <sup>(1)</sup><br>J9B1, PINS 2 & 3 |
| FLOPPY DRIVE 0 (FD0)     | 1.44 MB <sup>(1)</sup><br>2.88 MB            | J9C1, PINS 1 & 2 <sup>(1)</sup><br>J9C1, PINS 2 & 3 |
| POWER CONTROL            | ENABLE <sup>(1)</sup><br>DISABLE             | J9C3, PINS 1 & 2 <sup>(1)</sup><br>J9C3, PINS 2 & 3 |

<sup>(1)</sup> FACTORY DEFAULT SETTING

DEC00724-4

## STORAGE BACKPLANE & JUMPER (J181) SETTINGS



### SCSI/DUAL SCSI BUSTARGET ID SETTINGS

|                | JUMPER SET |    |    |    |    |    |    |    |
|----------------|------------|----|----|----|----|----|----|----|
|                | NONE       | W1 | W2 | W3 | W1 | W2 | W3 | W1 |
| CD-ROM* ID=    | 4          | 4  | 4  | 4  | 4  | 4  | 4  | 4  |
| TAPE DRIVE* ID | 5          | 5  | 5  | 5  | 5  | 5  | 5  | 5  |
| SBB SLOTO ID=  | 0          | 0  | 8  | 0  | 8  | 0  | 8  | 8  |
| SBB SLOTT1 ID= | 1          | 1  | 9  | 1  | 9  | 1  | 9  | 9  |
| SBB SLOTT2 ID= | 2          | 2  | 10 | 2  | 10 | 2  | 10 | 10 |
| SBB SLOTT3 ID= | 3          | 3  | 11 | 3  | 11 | 3  | 11 | 11 |

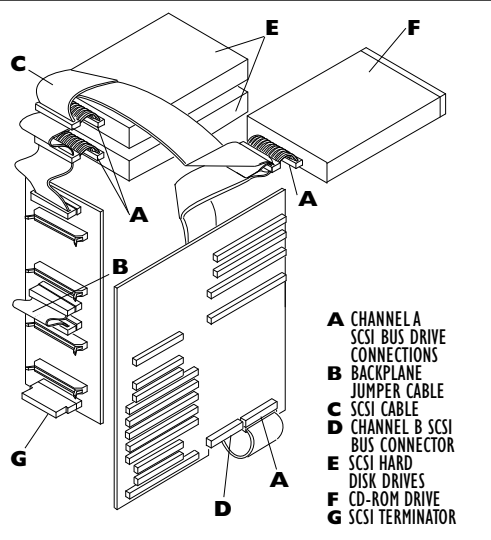
### SCSI BUS 2 OR JUMPER CABLE

|                |   |   |    |   |    |    |    |    |
|----------------|---|---|----|---|----|----|----|----|
| SBB SLOTT4 ID= | 0 | 4 | 0  | 8 | 4  | 12 | 8  | 12 |
| SBB SLOTT5 ID= | 1 | 5 | 9  | 1 | 9  | 1  | 9  | 9  |
| SBB SLOTT6 ID= | 2 | 6 | 10 | 2 | 10 | 2  | 10 | 10 |

\*OPTIONAL DEVICES OR PERIPHERALS

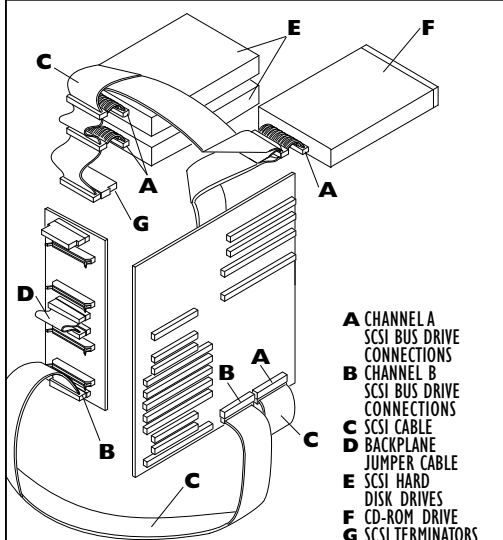
DEC00581

## SINGLE CHANNEL SCSI CONFIGURATION



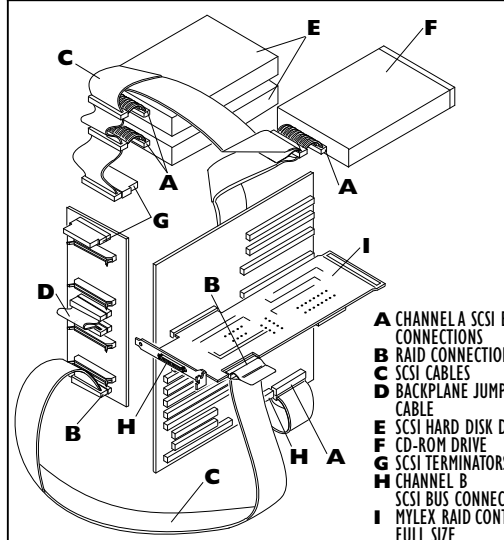
DEC00733

## TWO CHANNEL SCSI CONFIGURATION



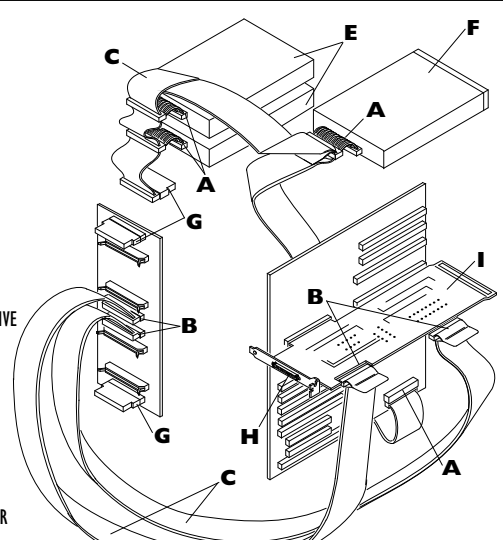
DEC00731

## SINGLE CHANNEL SCSI & SINGLE CHANNEL RAID CONFIGURATION



DEC00732

## SINGLE CHANNEL SCSI & DUAL CHANNEL RAID CONFIGURATION



DEC00734