



LIGHT Series

Description:

Light Case was featured with Simple, Compact, Small, Stylish. It can be applied as Thin Client, NetWork Device, Set-Top Box, VPN, VOIP and POS system. Major Material is Aluminum for good heat solution. Light System Case provides 1 x 2.5" Slim HDD Space. For VIA EDEN 400/533Mhz CPU, Light System can provide Fan-Less Solution.

Technical Data:

Dimension	48.5 H x 234 W x 175 D mm
Material	Aluminum + Plastic (Out-Side Cover)
Color	Blue / Silver
Weight	1 Kgs (Include M/B)
Storage Space	2.5" HDD x 1
LED Light	Power / Network / HDD
Front Connector	2 x USB, Mic-in, Lin-out

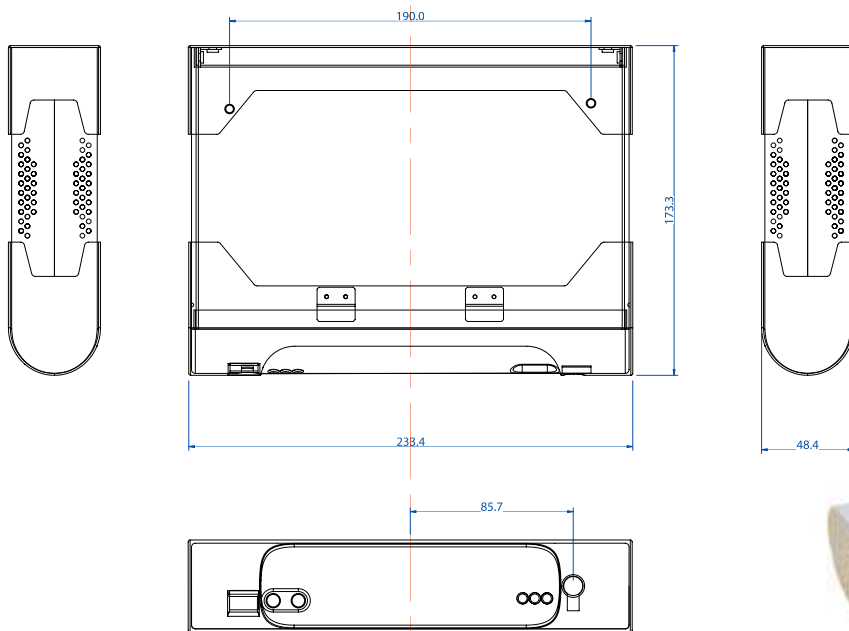
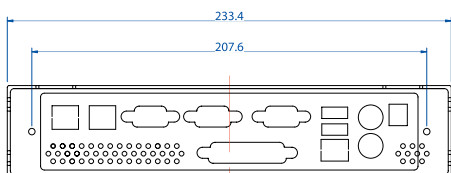


M/B information: (Please reference M/B specification)

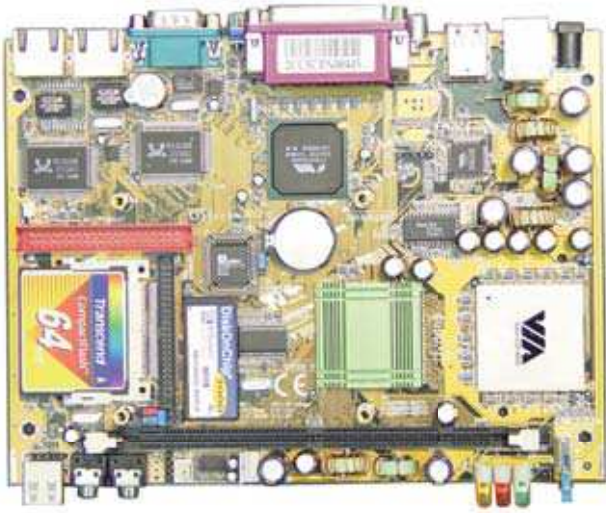
M/B Model	Description
CV860A	1~3 Lan
CV862A	Pin Head connector
CV860B	Lan, TV-out
CV860C	4 Com Ports
CV863A	2 PCMCIA Slot / 4 Lan
CV866C	4 Com Ports, LVDS
SV823A	4-16 Video in
MV823A	2 IEEE1394 / Video in & TV-out, LVDS (option)
MV823S	1 Lan, TV-out

Option (Function in side the case)

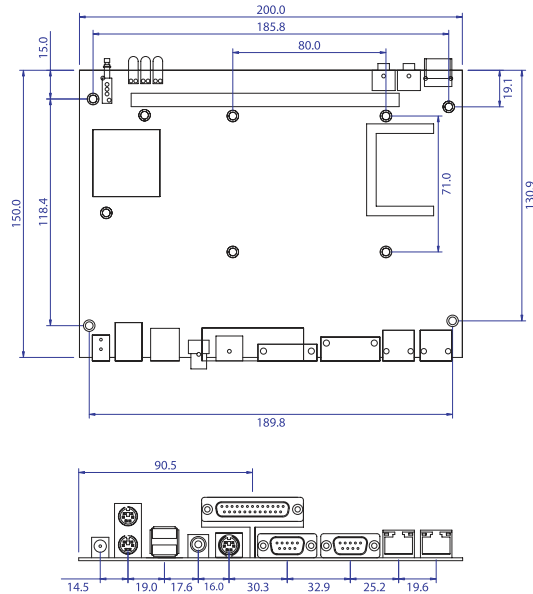
Wireless Lan	Chip: ATMEL , USB Interface , 802.11b Standard , Driver: Win98,ME,2K,XP,Linux, 128bit WEP Encryption Support
56K Modem(ST)	Chip: ST , USB Interface , Driver: Win98,ME,2K,XP,Linux
56K Modem(CX)	Chip: Conexant , USB Interface , Driver: Win98,ME,2K,XP.
ISDN	Chip: Cologne, ISDN Standard ETSI Euro ISDN, Driver: Win98,ME,2K,XP,Linux
ADSL	Chip: Conexant , ANSI T1.413 Issue 2, ITU-T G.992(G.dmt) and G.992.2(G.lite) Annex A,B. Driver: Win98,ME,2K,XP,Linux



Wireless Lan



CV860B Series On-board 1~2 LAN / TV-OUT



Processor :

- . On board VIA C3/Eden 376 PIN EPGA package
- . Front side bus 100/133 MHz
- . VIA Eden Processor 400M/533M/733M/800M/1GHz
- . VIA C3 processor 800MHz/1GHz/1.2GHz/1.4GHz
- . Integrated full-speed 192KB L1/L2 cache, F.S.B.133MHz

System Chipset list :

- . MB chipset : VIA PLE133 VT8601A and VT82C686B
- . VGA : Trident graphics integrate in VIA VT8601A chip
- . Sound : Realtek ALC 201A AC97
- . LAN : 1~ 2 x 10/100Mbps Realtek TL 8100B
- . TV-OUT : VT1621 TV-out encode.

Memory :

- . Support PC 133/100 SDRAM DIMM
- . One DIMM socket up to 512MB (32M x N)

Graphic :

- . Integrated graphics controller with VT8601A Trident VGA.
- . 64-bit single cycle 2D/3D graphic engine
- . Supports 2MB to 8MB of frame buffer
- . Extended screen resolutions up to 1600x1200x16 bit

TV out :

- . Support NTSC/PAL TV system
- . Automatic detection of TV presence

Sound :

AC97 2.1 compliant

Power :

12V DC-IN (Daughter board for 24V DC-IN)

Front Panel :

- . Power switch
- . Power/HDD/LAN LED
- . Line-out / MIC-in and one USB1.1

Back Panel :

- . 12V DC-IN power jack
- . PS/2 Keyboard and Mouse connector
- . 1 x S-Video and RCA jack for TV-out
- . VGA connector
- . 1 x COM ports
- . 1 x Parallel
- . 2 x USB 1.1
- . 1~2 x LAN ports

Storage :

- . One 40 pin IDE for DOM
- . One 44 pin IDE for DOM or 2.5" Slim HDD
- . One DOC (Disk On Chip up to 1GB) Socket
- . One 50 pin Compact Flash Disk socket

BIOS :

- . Award BIOS
- . LAN PXE boot ROM support

OS Support :

- . Linux, Windows 9X / 2000 / XP / CE

Power consumption :

- . 12V / 2.5A

Dimension :

200 x 150 mm

Case for CV860B M/B :

- . Light (fanless for VIA Eden CPU)

Order information :

Model Name	CPU	Lan Ports / TV-Out
CV860B1R40	VIA Eden 400Mhz	1 x 10/100 RealTek
CV860B1R4T	VIA Eden 400Mhz	1 x 10/100 RealTek, TV-Out
CV860B1R80	VIA C3 800Mhz	1 x 10/100 RealTek
CV860B1R8T	VIA C3 800Mhz	1 x 10/100 RealTek, TV-Out
CV860B2R40	VIA Eden 400Mhz	2 x 10/100 RealTek
CV860B2R4T	VIA Eden 400Mhz	2 x 10/100 RealTek, TV-Out

