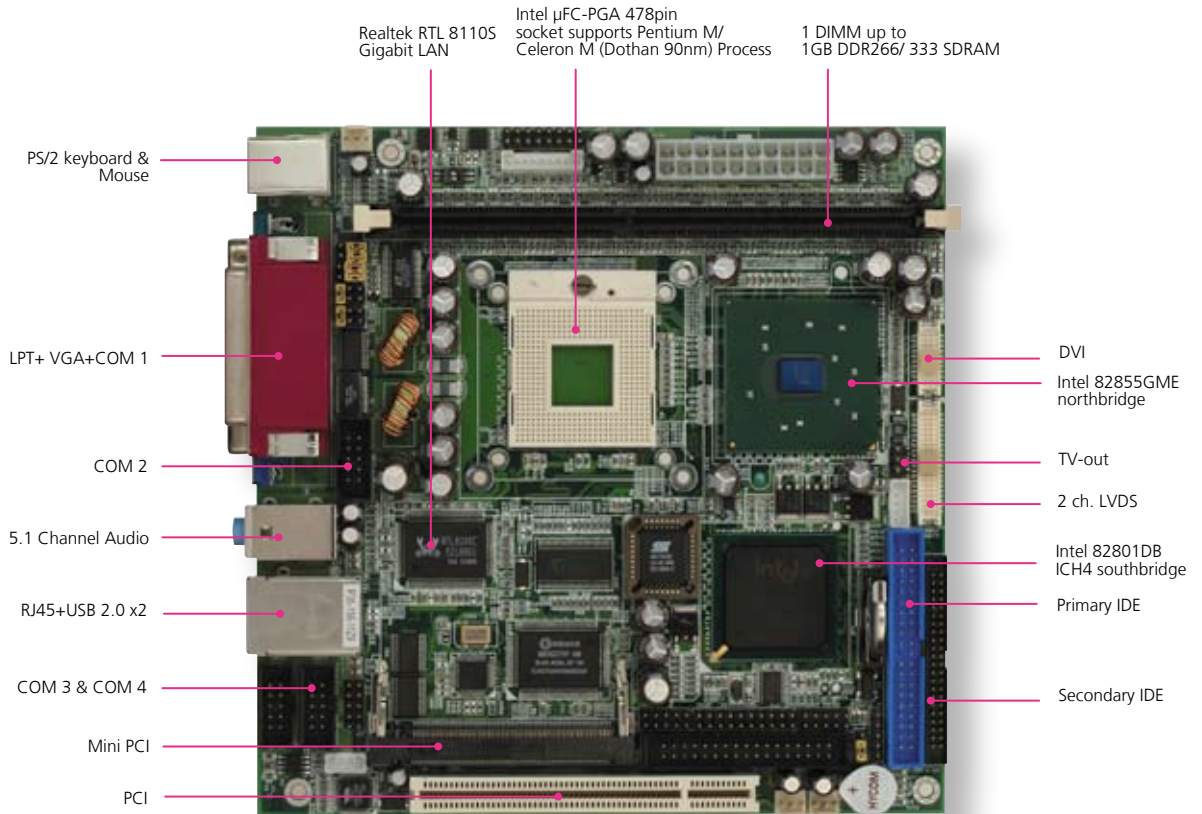


EM-9642

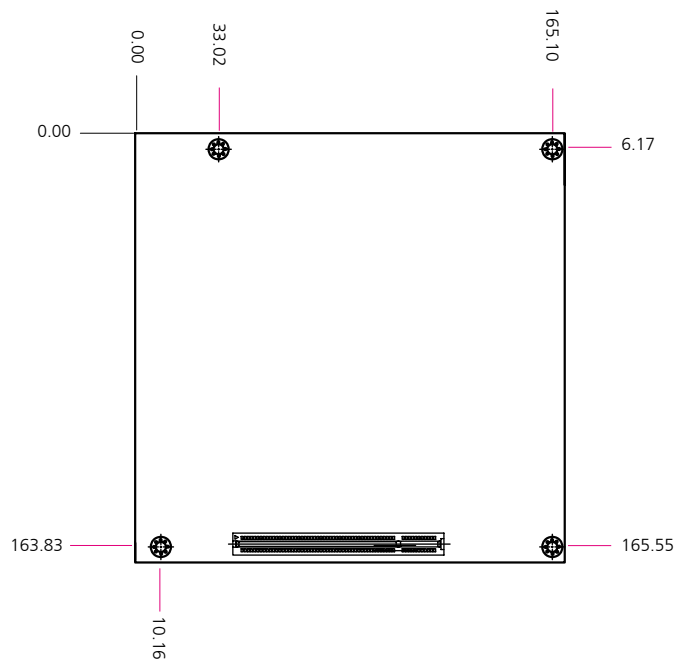
Mini ITX Intel® 855GME μ FC-PGA 478 Pentium® M/Celeron® M motherboard with dual display/ Audio/ LAN/ COM/ USB

- VGA
- LCD
- AUDIO
- LAN
- CF
- TV
- COM
- USB



FEATURES

- Supports 90nm Intel μ FC-PGA 478 / μ FC-BGA 479 Pentium M / Celeron M CPU
- Intel 82855GME Chipset
- One DIMM up to 1 GB DDR 266/333 SDRAM with ECC Supported
- DVI, 2-CH LVDS, Dual View, Optional Built-in Touch Screen I/F
- 5.1 CH Audio, TV-out
- Realtek RTL8110S Gigabit LAN
- 1 PCI, 1 Mini PCI, Type I/II CF
- 4 COM, 6 USB 2.0, 16-bit GPIO

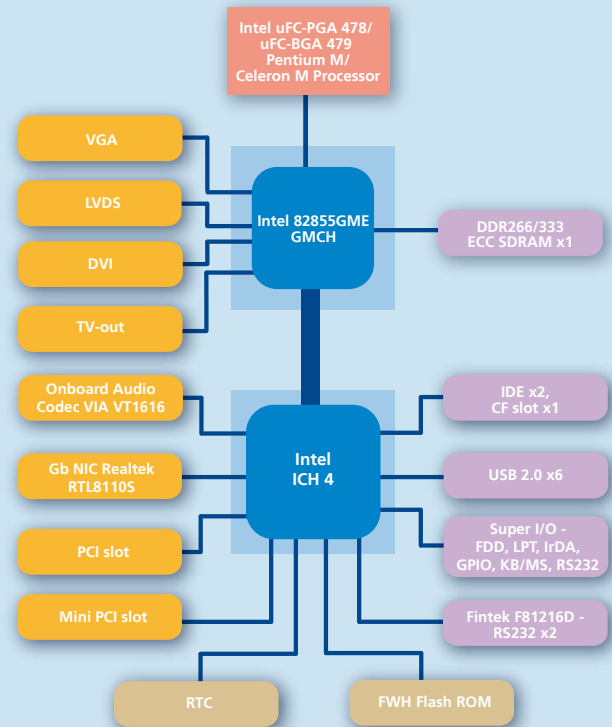


| FEATURE | DESCRIPTION | |
|---------------------------------|----------------------------------|------------------------------------------------------------------------------------------------------------------|
| Platform | Form Factor | Mini-ITX |
| | Processor | Intel Pentium M , Intel Celeron M , Socket 478 |
| | Chipset | Intel 82855GME GMCH + ICH4 |
| | BIOS | Award Flash BIOS |
| | Cache Memory | Processor Built-in |
| System Memory | Technology | DDR 266/333 SDRAM |
| | Max Capacity | 1 GB |
| | Socket | 184-pin DIMM x1 |
| Storage Interface | IDE Interface | IDE x2 |
| | Speed | 10/100/1000 Mbps |
| Networking | I/O | RJ45 x1 |
| | Controller | Realtek RTL8110S |
| Display | Controller | Intel 82855GME GMCH integrated 2D/3D Extreme Graphics Engine |
| | Shared memory | Support 16/32/64 MB frame buffer |
| | Output | LVDS,DVI,TV-out |
| | Codec | Intel ICH4 with VIA VT1616 supports 5.1 CH Audio |
| Audio | I/O | Mic-in, Line-in, CD Audio-in, Line-out |
| | Floppy Drive Interface | FDD header x1 |
| I/O Interface | Serial Port | RS-232 x 3, RS-232/422/485 x1 |
| | Universal Serial Bus | 6 (v2.0) |
| | Bus interface | PCI |
| | IR Interface | 115k bps, IrDA 1.0 compliant |
| | Keyboard | PS/2 |
| | Mouse | PS/2 |
| | Controller | Winbond W83627HF-AW integrated Hardware monitor function |
| | RTC | Winbond W83627HF-AW integrated RTC with Li-Battery |
| Hardware Monitoring | Watchdog timer | 256-level time-out intervals |
| | Cooling | Heatsink & Fan |
| Expansion | PCI slot x1 | |
| Environmental Parameters | Temperature, ambient operating | 0~60°C (32~140°F) |
| | Humidity (RH), ambient operating | 0%~90% relative humidity, non-condensing |
| | Storage Temperature | -20~70°C (-4~158°F) |
| Physical Dimensions | Dimensions | 170 mm x 170 mm (6.69" x 6.69") |
| | Input | DC +3.3V/+5V/+12V/+5Vsb |
| Power | Form Factor | ATX support |
| | Consumption | +5 V @ 3.34 A, +12 V @ 0.09 A, +3.3 V @ 3.74 A, 5 Vsb @ 0.23 A (with Intel Pentium M 1.8 GHz & 256 MB DDR SDRAM) |
| | Compliance | CE, FCC,RoHS |

ORDERING INFORMATION

| | |
|-----------------|----------------------------------------|
| EM-9642A | LVDS+DVI/TV-OUT/4 COMS/CF/PCI/Mini PCI |
| EM-9642B | LVDS/2 COMS/PCI |

PLATFORM ARCHITECTURE



About Lanner

Founded in 1986 and publicly listed (TAIEX 6245) since 2003, Lanner Electronics Inc. is an ISO 9001 certified designer and manufacturer of reliable, frontline security, storage and applied computing platforms and solutions. With headquarters in Taipei, Taiwan and branches in the U.S., India, and China, Lanner is uniquely positioned to deliver custom technical solutions with localized, value-added service.

Contact information

Lanner Electronics Inc
7F, 173, Section 2 Datong road
Sijhih City, Taipei County 221, Taiwan

T +886 2 86926060

F +886 2 86926101

E sales@lannerinc.com

W www.lannerinc.com