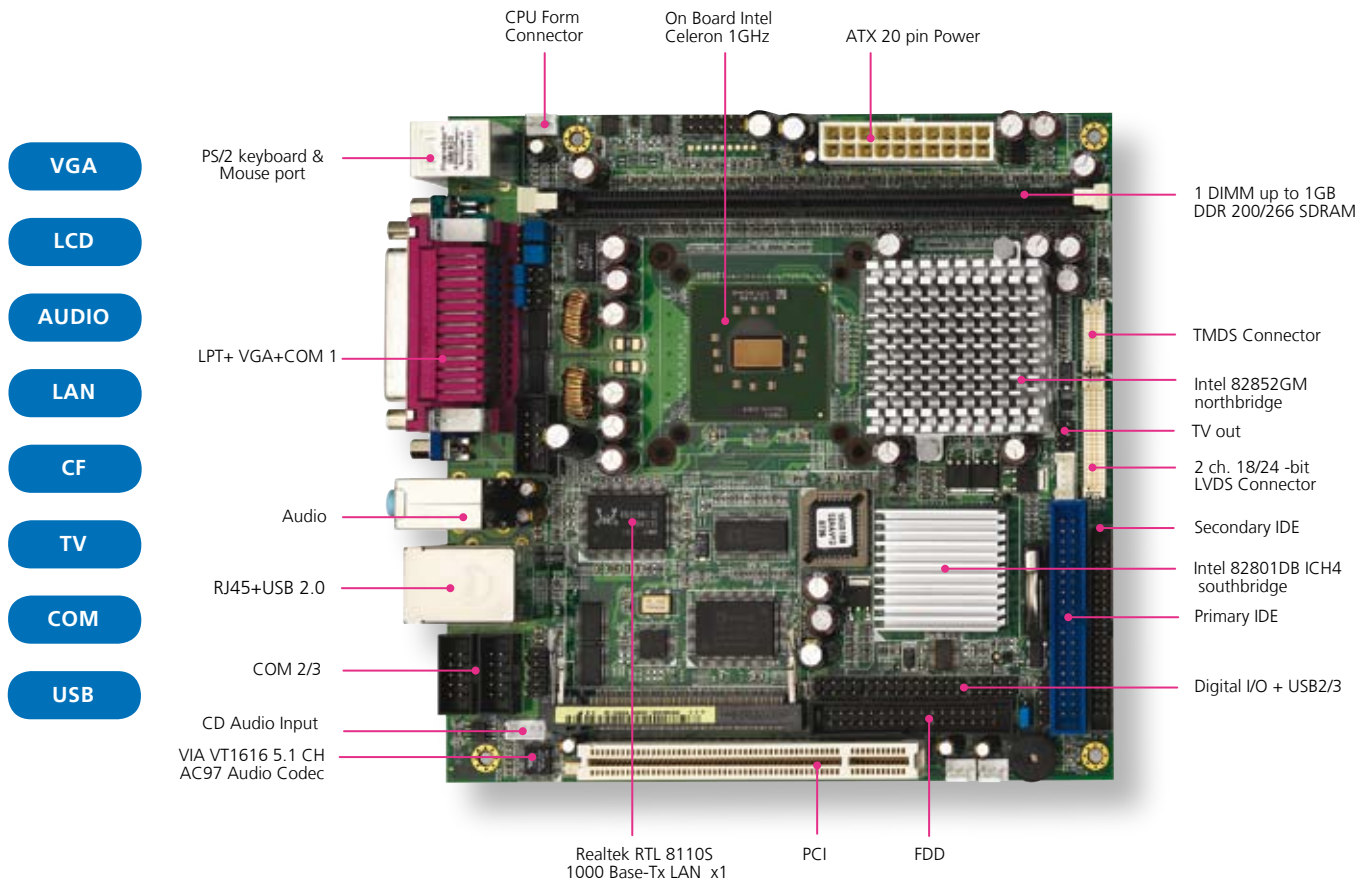


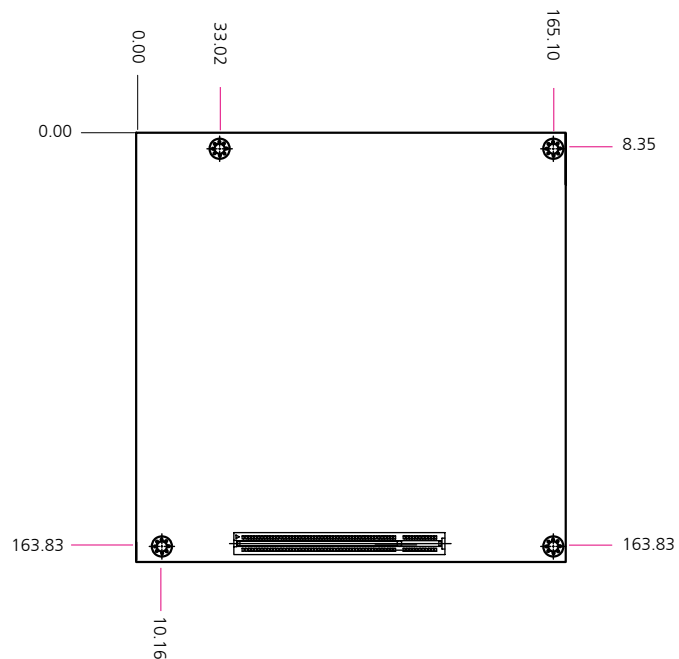
EM-9641B

Mini ITX Intel® 852GME µFC-BGA 479 Celeron® M motherboard with Dual-display/ TV-out/ Audio/ LAN



FEATURES

- Onboard Intel Celeron M 1GHz
- Intel 82852GM Chipset
- One DIMM up to 1 GB DDR SDRAM
- 2-CH LVDS
- 5.1 CH Audio, TV-out
- 10/100/1000Mbps LAN
- 1 PCI, Type III CF
- 4 COM, 6 USB 2.0, 16-bit GPIO

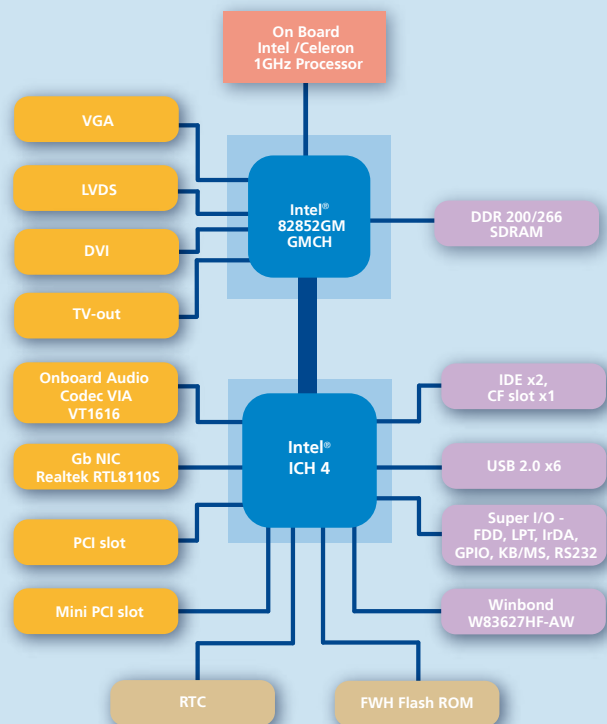


FEATURE	DESCRIPTION	
Platform	Form Factor	Mini-ITX
	Processor	On Board Intel Celeron M 1GHz/600MHz Processor
	Chipset	Intel 82852GM GMCH + ICH4
	BIOS	Award Flash BIOS
	Cache Memory	Processor Built-in
System Memory	Technology	DDR 200/266 SDRAM
	Max Capacity	1 GB
	Socket	184-pin DIMM x1
Storage Interface	IDE Interface	IDE x2
	Speed	10/100/1000 Mbps
Networking	I/O	RJ45 x1
	Controller	Realtek RTL8110S
	Controller	Intel FW82852GM GMCH integrated 2D/3D Extreme Graphics Engine
Display	Shared memory	Support 16/32/64 MB frame buffer
	Output	CRT, LVDS(Dual-channel 18/24-bit LVDS),DVI,TV-out
	Codec	Intel 82801DB ICH4 with VIA VT1616 supports 5.1 CH Audio
Audio	I/O	Mic-in, Line-in, CD Audio-in, Line-out
	Floppy Drive Interface	FDD header x1
I/O Interface	Serial Port	RS-232 x 3, RS-232/422/485 x1
	Universal Serial Bus	6 (v2.0)
	Bus interface	PCI
	IR Interface	115k bps, IrDA 1.0 compliant
	Keyboard	PS/2
	Mouse	PS/2
	Hardware Monitoring	Controller
	RTC	Winbond W83627HF-AW integrated RTC with Li-Battery
	Watchdog timer	256-level time-out intervals
Cooling	Heatsink or Cooler	
Expansion	PCI slot x1 (PCI Rev. 2.2 compliant)	
Environmental Parameters	Temperature, ambient operating	0~60°C (32~140°F)
	Humidity (RH), ambient operating	0%~90% relative humidity, non-condensing
	Storage Temperature	-20~70°C (-4~158°F)
Physical Dimensions	Dimensions	170 mm x 170 mm (6.69" x 6.69")
	Input	DC +3.3V/+5V/+12V/+5Vsb
Power	Form Factor	ATX support
	Consumption	+5 V @ 0.51 A, +12 V @ 4.2 A, +3.3 V @ 2.0 A (with Intel Celeron 2.4 GHz & 256 MB DDR SDRAM)
	Compliance	CE, FCC,RoHS

ORDERING INFORMATION

EM-9641B	Onboard Intel Celeron 1GHz(Zero L2 Cache) with FSB 400/MHz DDR 200/266 SDRAM VIA VT1616 supports 5.1 CH Audio Realtek RTL8110S Gigabit LAN 3 x RS-232,1 x RS232/422/485 one Mini PCI slot 16 bit GPIO
EM-9641D	Onboard Intel Celeron 600 MHz (512k L2 Cache) with FSB 400/MHz DDR 200/266 SDRAM VIA VT1616 supports 5.1 CH Audio Realtek RTL8110S Gigabit LAN 3 x RS-232,1 x RS232/422/485 one Mini PCI slot 16 bit GPIO

PLATFORM ARCHITECTURE



About Lanner

Founded in 1986 and publicly listed (TAIEX 6245) since 2003, Lanner Electronics Inc. is an ISO 9001 certified designer and manufacturer of reliable, frontline security, storage and applied computing platforms and solutions. With headquarters in Taipei, Taiwan and branches in the U.S., India, and China, Lanner is uniquely positioned to deliver custom technical solutions with localized, value-added service.

Contact information

Lanner Electronics Inc
7F, 173, Section 2 Datong road
Sijih City, Taipei County 221, Taiwan

T +886 2 86926060

F +886 2 86926101

E sales@lannerinc.com

W www.lannerinc.com