

Preface

Copyright

This publication, including all photographs, illustrations and software, is protected under international copyright laws, with all rights reserved. Neither this manual, nor any of the material contained herein, may be reproduced without written consent of the author.

Version 1.0

Disclaimer

The information in this document is subject to change without notice. The manufacturer makes no representations or warranties with respect to the contents hereof and specifically disclaims any implied warranties of merchantability or fitness for any particular purpose. The manufacturer reserves the right to revise this publication and to make changes from time to time in the content hereof without obligation of the manufacturer to notify any person of such revision or changes.

Trademark Recognition

Microsoft, MS-DOS and Windows are registered trademarks of Microsoft Corp.

MMX, Pentium, Pentium-II, Pentium-III, Celeron are registered trademarks of Intel Corporation.

Other product names used in this manual are the properties of their respective owners and are acknowledged.

Federal Communications Commission (FCC)

This equipment has been tested and found to comply with the limits for a Class B digital device, pursuant to Part 15 of the FCC Rules. These limits are designed to provide reasonable protection against harmful interference in a residential installation. This equipment generates, uses, and can radiate radio frequency energy and, if not installed and used in accordance with the instructions, may cause harmful interference to radio communications. However, there is no guarantee that interference will not occur in a particular installation. If this equipment does cause harmful interference to radio or television reception, which can be determined by turning the equipment off and on, the user is encouraged to try to correct the interference by one or more of the following measures:

- Reorient or relocate the receiving antenna.
- Increase the separation between the equipment and the receiver.
- Connect the equipment onto an outlet on a circuit different from that to which the receiver is connected.
- Consult the dealer or an experienced radio/TV technician for help.

Shielded interconnect cables and a shielded AC power cable must be employed with this equipment to ensure compliance with the pertinent RF emission limits governing this device. Changes or modifications not expressly approved by the system's manufacturer could void the user's authority to operate the equipment.

Copyright © 2001
All Rights Reserved
KOB P4X266 NFSX, V1.0

Declaration of Conformity

This device complies with part 15 of the FCC rules. Operation is subject to the following conditions:

- This device may not cause harmful interference, and
- This device must accept any interference received, including interference that may cause undesired operation.

Canadian Department of Communications

This class B digital apparatus meets all requirements of the Canadian Interference-causing Equipment Regulations.

Cet appareil numérique de la classe B respecte toutes les exigences du Règlement sur le matériel brouilleur du Canada.

About the Manual

The manual consists of the following:

Chapter 1 Introducing the Mainboard	Describes features of the mainboard, and provides a shipping checklist. Go to ⇒ page 1
Chapter 2 Installing the Mainboard	Describes installation of mainboard components. Go to ⇒ page 6
Chapter 3 Using BIOS	Provides information on using the BIOS Setup Utility. Go to ⇒ page 23
Chapter 4 Using the Mainboard Software	Describes the mainboard software. Go to ⇒ page 48

TABLE OF CONTENTS

Preface	i
CHAPTER 1	1
Introducing the Mainboard	1
<i>Introduction</i>	1
<i>Checklist</i>	1
Standard Items	1
<i>Features</i>	2
<i>Choosing a Computer Case</i>	3
<i>Mainboard Components</i>	4
CHAPTER 2	6
Installing the Mainboard	6
<i>Safety Precautions</i>	6
<i>Quick Guide</i>	6
<i>Installing the Mainboard in a Case</i>	7
<i>Checking Jumper Settings</i>	7
Setting Jumpers	7
Checking Jumper Settings	8
Jumper Settings	8
<i>Connecting Case Components</i>	9
The Panel Connectors	9
<i>Installing Hardware</i>	10
Installing the Processor	10
Installing Memory Modules	13
Installing a Hard Disk Drive/CD-ROM	14
Installing a Floppy Diskette Drive	15
Installing Add-on Cards	16
Connecting Optional Devices	17
<i>Connecting I/O Devices</i>	21
External Connector Color Coding	22
CHAPTER 3	23
Using BIOS	23
<i>About the Setup Utility</i>	23
The Standard Configuration	23
Entering the Setup Utility	24
Updating the BIOS	24
<i>Using BIOS</i>	25
Standard CMOS Features	26
Advanced BIOS Setup Option	28
Advanced Chipset Features Option	30

Integrated Peripherals Option	35
Power Management Setup Option	39
PNP/PCI Configuration Option	43
PC Health Status Option	45
Frequency/Voltage Control	45
Load Fail-Safe Defaults Option	46
Load Optimized Defaults Option	46
Set Password Option	47
Save & Exit Setup Option	47
Exit Without Saving	47

CHAPTER 4 **48**

Using the Mainboard Software	48
<i>About the Software CD-ROM</i>	48
<i>Audio Drivers and Software Installation</i>	48
<i>Utility Software Reference</i>	49

Chapter 1

Introducing the Mainboard

Introduction

Congratulations on purchasing the KOB P4X266 NFSX mainboard. The KOB P4X266 NFSX mainboard is an ATX mainboard that uses a 4-layer printed circuit board and measures 305 mm x 244 mm. The mainboard features a Socket 478 that accommodates Intel Pentium 4 processors supporting front side bus (FSB) speeds of 400 MHz.

The KOB P4X266 NFSX incorporates the VIA VT8753 (P4X266) Northbridge and VT8233 Southbridge chipsets which supports the AC 97 audio codec, which combines support for DDR (Double Data Rate) SDRAM up to 3 GB.

Note: SDRAM provides 800 MBps or 1 GBps data transfer depending on whether the bus is 100MHz or 133MHz. Double Data Rate SDRAM (DDR SDRAM) doubles the rate to 1.6 GBps and 2.1 GBps. DDR SDRAM uses additional power and ground lines and requires 184-pin DIMM modules rather than the 168-pin DIMMs used by SDRAM.

Checklist

Compare the mainboard's package contents with the following checklist:

Standard Items

- One mainboard
- One diskette drive ribbon cable
- One IDE drive ribbon cable
- One retention module
- Software support CD
- This user's manual

Features

Processor	<p>The KOB P4X266 NFSX mainboard includes a mPGA Socket 478 that has the following features:</p> <ul style="list-style-type: none"> • Supports up to a 400 MHz front side bus (FSB) • Accommodates Intel Pentium 4 processors
Chipset	<p>The chipset on KOB P4X266 NFSX includes the VT8753 Northbridge and VT8233 Southbridge which are based on an innovative and scalable architecture with proven reliability and performance. A few of the chipset's advanced features are:</p> <ul style="list-style-type: none"> • An advanced V-Link memory controller architecture that provides the bandwidth and performance necessary for even the most demanding Internet and 3D graphics • Support for a 4xAGP interface providing vivid 3D graphics and video performance • An ATA 100 interface on the chipset, which helps boost system performance by providing a high-speed connection to ATA 100 Hard Disk Drives, delivering maximum sustained data transfer rates of 100 MB/sec <p>Additional features include support for six USB ports, an AC 97 link for audio and modem, hardware monitoring, and ACPI/OnNow power management.</p>
Memory	<p>The mainboard accommodates three 184 pin, 2.5V DDR DIMM sockets with a total capacity of 3 GB (registered), 1.5 GB (unbuffered).</p>
VGA	<p>The KOB P4X266 NFSX includes a 4xAGP slot that provides four times the bandwidth of the original AGP specification. AGP technology provides a direct connection between the graphics sub-system and memory so that the graphics do not have to compete for processor time with other devices on the PCI bus.</p>
AC' 97 Audio Codec	<p>The AC'97 Audio codec is compliant with the AC' 97 2.2 specification, and supports 18-bit ADC (Analog Digital Converter) and DAC (Digital Analog Converter) resolution as well as 18-bit stereo full-duplex codec with independent and variable sampling rates. Further features include support for four analog line-level stereo inputs.</p>
Expansion Options	<p>KOB P4X266 NFSX has five 32-bit PCI slots, an AGP slot and CNR (Communications and Networking Riser) slot.</p> <p>The KOB P4X266 NFSX PCI slots are capable of Ultra DMA bus mastering with transfer rates of 33/66/100 MB/sec.</p>
Integrated I/O	<p>The mainboard has a full set of I/O ports and connectors:</p> <ul style="list-style-type: none"> • Two PS/2 ports for mouse and keyboard • Two serial port • One parallel port • One MIDI/game port • Six USB ports (two backpanel ports, onboard USB headers providing four extra ports) • Audio jacks for microphone, line-in and line-out

BIOS Firmware	<p>This mainboard uses Award BIOS that enables users to configure many system features including the following:</p> <ul style="list-style-type: none">• Power management• CPU and memory timing• Modem wake up alarms <p>The firmware can also be used to set parameters for different processor clock speeds.</p>
--------------------------	--

Choosing a Computer Case

There are many types of computer cases on the market. The mainboard complies with the specifications for the ATX system case. Some features on the mainboard are implemented by cabling connectors on the mainboard to indicators and switches on the system case. Ensure that your case supports all the features required. The mainboard can support one floppy diskette drive and four enhanced IDE drives. Ensure that your case has sufficient power and space for all the drives that you intend to install.

Most cases have a choice of I/O templates in the rear panel. Make sure that the I/O template in the case matches the I/O ports installed on the rear edge of the mainboard.

This mainboard has an ATX form factor of 305 x 244 mm. Choose a case that accommodates this form factor.

Mainboard Components

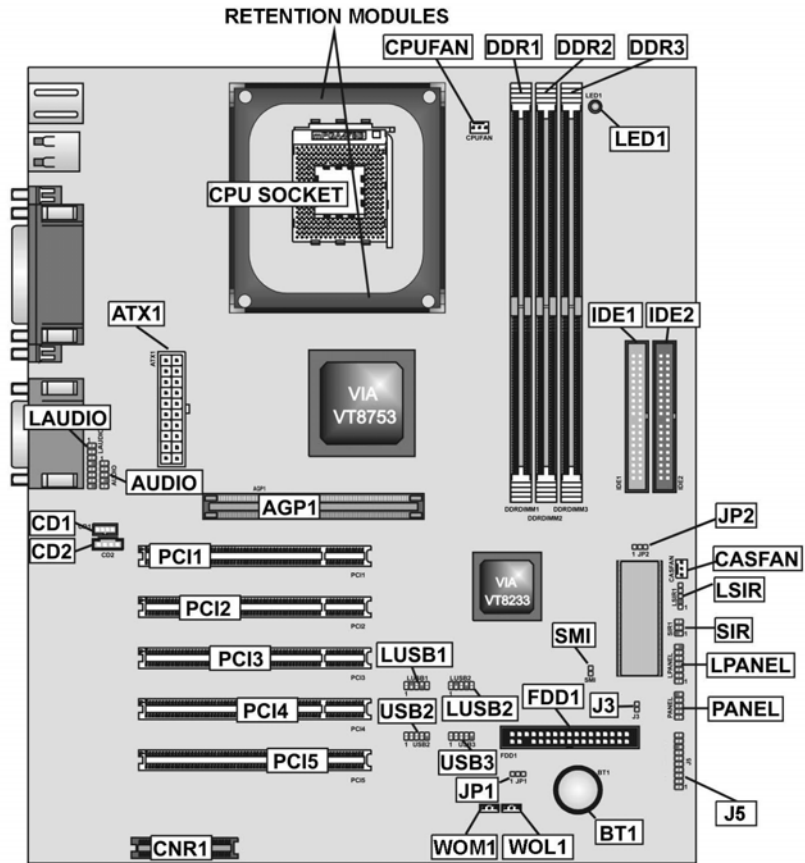


Table of Mainboard Components

Label	Component
AGP1	Accelerated Graphics Port
ATX1	Power connector
AUDIO	Mic/speaker-out connector
BT1	Three volt realtime clock battery
CASFAN	Auxiliary case cooling fan
CD1	Primary CD-in connector (Sony)
CD2	Secondary CD-in connector (Panasonic)
CNR1	Communications Networking Riser slot
CPU SOCKET	CPU Socket (mPGA478)
CPUFAN1	Cooling fan for CPU
DDRDIMM1 ~ DDRDIMM3	Three 184-pin DDR DIMM sockets
FDD1	Floppy disk drive connector
IDE 1	Primary IDE channel
IDE 2	Secondary IDE channel
J3	Single color LED
J5	Smart card / memory stick reader
JP1	Clear CMOS jumper
JP2	BIOS protect jumper
LAUDIO	Mic/speaker-out connector 2
LED1	LED 2.5 VSB for DDR SDRAM (red)
L PANEL	Front Panel Connector 2
LSIR	Serial infrared cable header 2
LUSB1/LUSB2	Connector for front panel USB ports
PANEL	Panel connector for case switches and LEDs
PCI1 ~ PCI5	Five 32-bit add-on card slots
SIR	Serial infrared cable header
SMI	External System Management Interrupt header
USB2/USB3	Connector for front panel USB ports
WOL1	Wake On LAN wakeup connector
WOM1	Wake On Modem wakeup connector

Note: LED1 is usually connected to a light that indicates that the computer is powered on. Do not install hardware or disconnect power cables while the LED is on.

This concludes Chapter 1. The next chapter explains how to install the mainboard.

Chapter 2

Installing the Mainboard

Safety Precautions

Follow these safety precautions when installing the mainboard:

- Wear a grounding strap attached to a grounded device to avoid damage from static electricity.
- Discharge static electricity by touching the metal case of a safely grounded object before working on the mainboard.
- Leave components in the static-proof bags they came in.
- Hold all circuit boards by the edges. Do not bend circuit boards.

Quick Guide

This Quick Guide suggests the steps you can take to assemble your system with the mainboards.

The following table provides a reference for installing specific components:

Locating Mainboard Components	Go to page 4
Installing the Mainboard in a Case	Go to page 7
Setting Jumpers	Go to page 7
Installing Case Components	Go to page 9
Installing the CPU	Go to page 10
Installing Memory	Go to page 13
Installing a HDD and CD-ROM Drive	Go to page 14
Installing a FDD	Go to page 15
Installing Add-on Cards	Go to page 16
Connecting Options	Go to page 17
Connecting Peripheral (I/O) Devices	Go to page 21

Installing the Mainboard in a Case

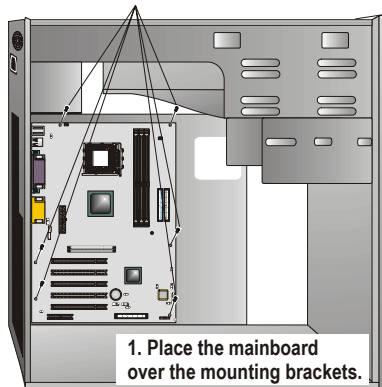
Refer to the following illustration and instructions for installing the mainboard in a case:

This illustration shows an example of a mainboard being installed in a tower-type case:

Note: Do not overtighten the screws as this can stress the mainboard.

Most system cases have mounting brackets installed in the case, which correspond to the holes in the mainboard. Place the mainboard over the mounting brackets and secure the mainboard onto the mounting brackets with screws.

2. Secure the mainboard with screws where appropriate.



Ensure that your case has an I/O template that supports the I/O ports and expansion slots on your mainboard.

Checking Jumper Settings

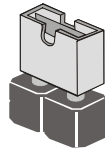
This section explains how to set jumpers for correct configuration of the mainboard.

Setting Jumpers

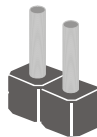
Use the mainboard jumpers to set system configuration options. Jumpers with more than one pin are numbered. When setting the jumpers, ensure that the jumper caps are placed on the correct pins.

The illustrations below show a 2-pin jumper. When the jumper cap is placed on both pins, the jumper is SHORT. If you remove the jumper cap, or place the jumper cap on just one pin, the jumper is OPEN.

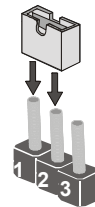
This illustration shows a 3-pin jumper. Pins 1 and 2 are SHORT.



Short

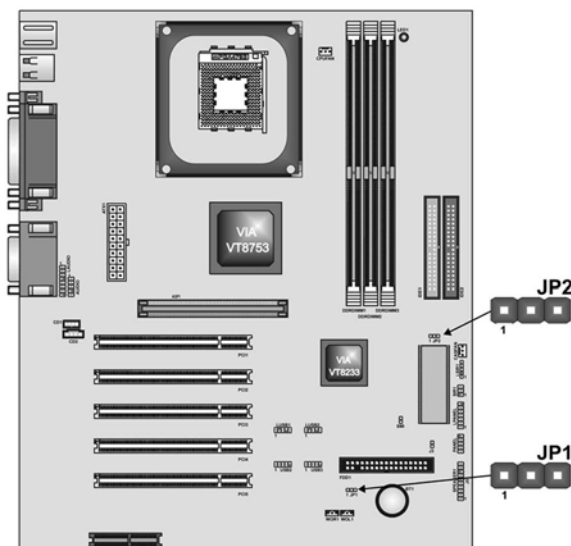


Open



Checking Jumper Settings

The following illustration shows the location of the mainboard jumpers. Pin 1 is labeled.



Jumper Settings

Jumper	Type	Description	Setting (default)
JP1	3 pin	Clear CMOS jumper	1-2: Normal 2-3: Clear CMOS
JP2	3 pin	BIOS flash protection jumper	1-2: Unprotected 2-3: Protected

JP1: Clear CMOS Jumper

This jumper enables you to reset BIOS. Follow these instructions:

1. Turn the system off.
2. Short pins 2 and 3 on JP1.
3. Return the jumper to the normal setting.
4. Turn the system on. The BIOS is returned to the default settings.

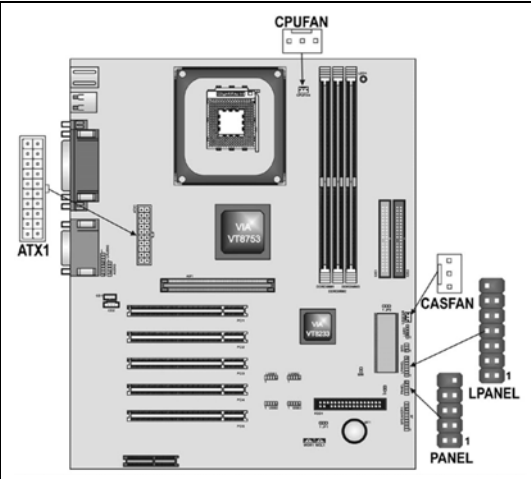
JP2: BIOS Flash Protect Jumper

This jumper is used to protect the BIOS from being unintentionally flashed. Enable this jumper for protection and disable this jumper when you want to flash the BIOS.

Connecting Case Components

After you have installed the mainboard into a case, you can begin connecting the mainboard components. Refer to the following:

1. Connect the case power supply connector to ATX1.
2. Connect the CPU cooling fan cable to CPUFAN.
3. Connect the case cooling fan connector to CASFAN.

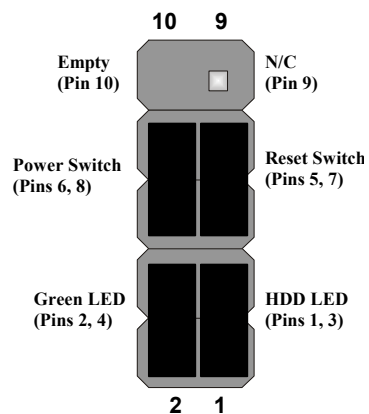


The Panel Connectors

The panel connector (PANEL and LPANEL) provides a standard set of switch and LED connectors commonly found on ATX or micro-ATX cases. The LPANEL is specially designed for OEM customers that comply with the OEM specifications. Refer to the table below for information:

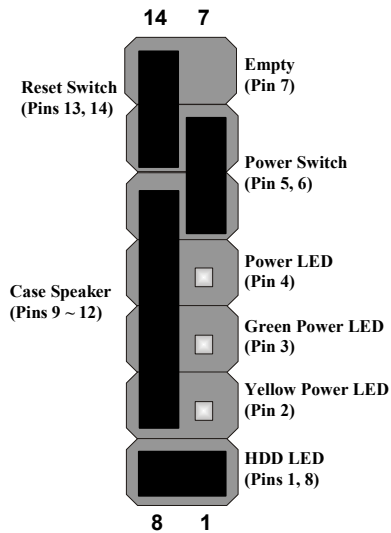
PANEL

Device	Pins
Empty	10
N/C	9
Power ON/OFF	6, 8
Reset Switch	5, 7
Green LED Indicator	2, 4
HDD LED	+1, -3



LPANEL

Device	Pins
Reset Switch	13, 14
Case Speaker	9 ~ 12
Power Switch	5, 6
Power LED	+4
Green Power LED	-3
Yellow Power LED	-2



Note: The plus sign (+) indicates a pin which must be connected to a positive voltage.

Installing Hardware

Installing the Processor

Caution: When installing a CPU heatsink and cooling fan make sure that you DO NOT scratch the mainboard or any of the surface-mount resistors with the clip of the cooling fan. If the clip of the cooling fan scrapes across the mainboard, you may cause serious damage to the mainboard or its components.

On most mainboards, there are small surface-mount resistors near the processor socket, which may be damaged if the cooling fan is carelessly installed.

Avoid using cooling fans with sharp edges on the fan casing and the clips. Also, install the cooling fan in a well-lit work area so that you can clearly see the mainboard and processor socket.

Before installing the Processor

This mainboard automatically determines the CPU clock frequency and system bus frequency for the processor. You may be able to change these settings by making changes to jumpers on the mainboard, or changing the settings in the system Setup Utility. We strongly recommend that you do not overclock processors or other components to run faster than their rated

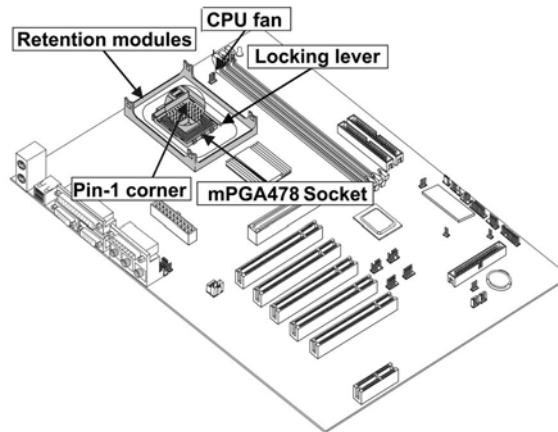
speed.

Warning: Overclocking components can adversely affect the reliability of the system and introduce errors into your system. Overclocking can permanently damage the mainboard by generating excess heat in components that are run beyond the rated limits.

This mainboard has a Socket 478 processor socket. When choosing a processor, consider the performance requirements of the system. Performance is based on the processor design, the clock speed and system bus frequency of the processor, and the quantity of internal cache memory and external cache memory.

CPU Installation Procedure

The following illustration shows CPU installation components:

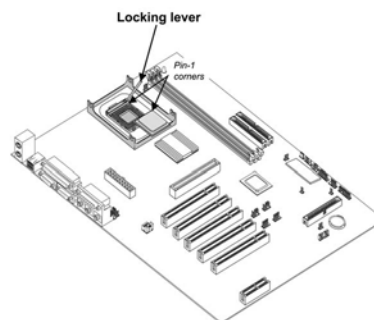


Note: The pin-1 corner is marked with an arrow ▼

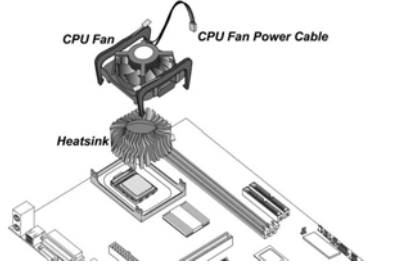
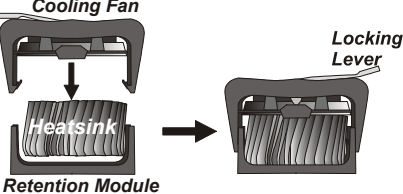
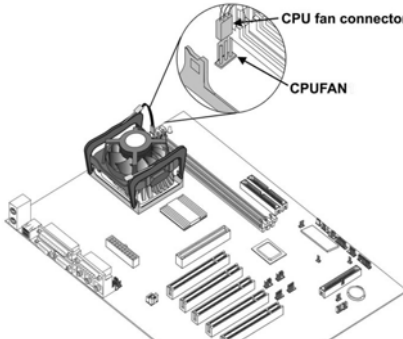
Follow these instructions to install the CPU:

1. Pull the CPU socket locking lever away from the socket to unhook it and raise the locking lever to the upright position.

2. Match the corner on the CPU marked with an arrow with pin-1 on the CPU socket (the corner with the pinhole noticeably missing). Insert the processor into the socket. Do not use force.



3. Lower the heatsink over the CPU.

4. Lower the CPU cooling fan onto the heatsink.	
5. Apply thermal grease to the top of the CPU.	
6. Swing the locking lever down and hook it under the latch on the edge of the socket.	
7. Snap the four retention legs of the cooling fan into place (see diagram below).	
8. Swing both lock levers on top of the cooling fan to their opposite sides to secure the cooling fan on top of the heatsink.	
9. Connect the CPU Cooling Fan power cable to the CPUFAN1 connector.	

Note: CPU fan and heatsink installation procedures may vary with the type of CPU fan/heatsink supplied. The form and size of fan/heatsink may also vary.

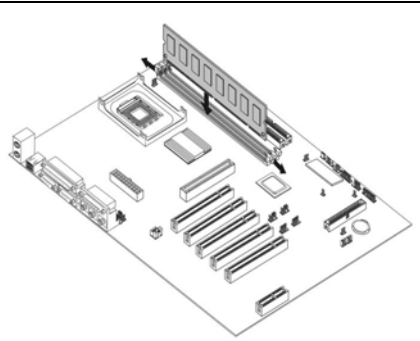
Installing Memory Modules

This mainboard accommodates 184-pin 2.5V unbuffered Double Data Rate (DDR) SDRAM memory modules. The memory chips must be standard or registered SDRAM (Synchronous Dynamic Random Access Memory).

The memory bus can run at 100 MHz or 133 MHz. If your processor operates over a 100 MHz system bus, you can install DDR200 or DDR266 memory modules that operate over a 100 MHz or 133 MHz memory bus.

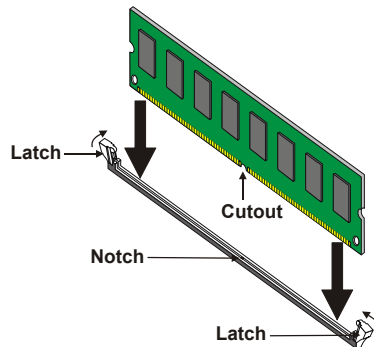
Installation Procedure

The mainboard accommodates three memory modules. You must install at least one module in any of the three slots. Each module can be installed with up to 1 GB of memory; total memory capacity is 3 GB.



Refer to the following to install the memory modules.

1. Push the latches on each side of the DIMM slot down.
2. Align the memory module with the slot. The DIMM slots are keyed with notches and the DIMMs are keyed with cutouts so that they can only be installed correctly.
3. Check that the cutouts on the DIMM module edge connector match the notches in the DIMM slot:
4. Install the DIMM module into the slot and press it firmly down until it seats correctly. The slot latches are levered upwards and latch on to the edges of the DIMM.
5. Install any remaining DIMM modules.



Installing a Hard Disk Drive/CD-ROM

This section describes how to install IDE devices such as a hard disk drive and a CD-ROM drive.

About IDE Devices

Your mainboard has a primary and secondary IDE channel interface (IDE1 and IDE2). An IDE ribbon cable supporting two IDE devices is bundled with the mainboard.

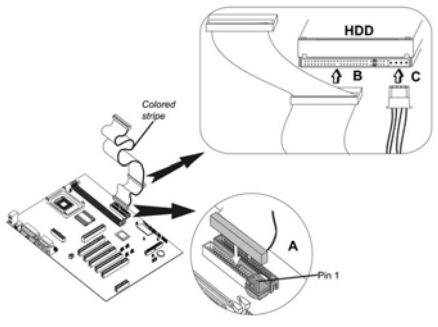
If you want to install more than two IDE devices, get a second IDE cable and you can add two more devices to the secondary IDE channel.

IDE devices have jumpers or switches that are used to set the IDE device as MASTER or SLAVE. Refer to the IDE device user's manual. When installing two IDE devices on one cable, ensure that one device is set to MASTER and the other device is set to SLAVE. The documentation of your IDE device explains how to do this.

About UltraDMA

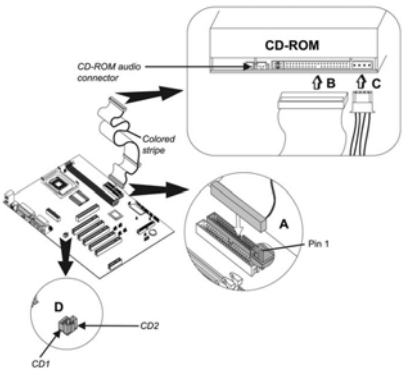
This mainboard supports Ultra DMA 33/66/100. UDMA is a technology that accelerates the performance of devices in the IDE channel. To maximize performance, install IDE devices that support UDMA and use 80-pin IDE cables that support UDMA 33/66/100.

Installing a Hard Disk Drive

1. Install the hard disk drive into the drive cage in your system case.	
2. Plug the IDE cable into IDE1 (A): Note: Ribbon cable connectors are usually keyed so that they can only be installed correctly on the device connector. If the connector is not keyed, make sure that you match the pin-1 side of the cable connector with the pin-1 side of the device connector. Each connector has the pin-1 side clearly marked. The pin-1 side of each ribbon cable is always marked with a colored stripe on the cable.	
3. Plug an IDE cable connector into the hard disk drive IDE connector (B). It doesn't matter which connector on the cable you use.	
4. Plug a power cable from the case power supply into the power connector on the hard disk drive (C).	

When you first start up your system, the BIOS should automatically detect your hard disk drive. If it doesn't, enter the Setup Utility and use the IDE Hard Disk Auto Detect feature to configure the hard disk drive that you have installed. See IDE HDD Auto-Detection on page 27 for more information.

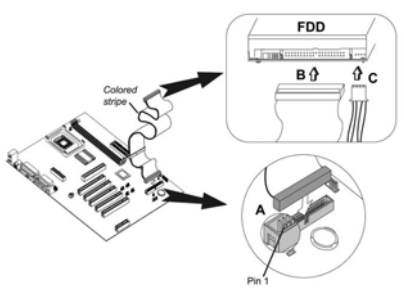
Installing a CD-ROM/DVD Drive

<p>1. Install the CD-ROM/DVD drive into the drive cage in your system case.</p> <p>2. Plug the IDE cable into IDE1 (A). If you have already installed an HDD, use the other connector on the IDE cable.</p> <p>Note: Ribbon cable connectors are usually keyed so that they can only be installed correctly on the device connector. If the connector is not keyed, make sure that you match the pin-1 side of the cable connector with the pin-1 side of the device connector. Each connector has the pin-1 side clearly marked. The pin-1 side of each ribbon cable is always marked with a colored stripe on the cable.</p>	
<p>3. Plug an IDE cable connector into the CD-ROM/DVD drive IDE connector (B). It doesn't matter which connector on the cable you use.</p>	
<p>4. Plug a power cable from the case power supply into the power connector on the CD-ROM/DVD drive (C).</p>	
<p>5. Use the audio cable provided with the CD-ROM/DVD drive to connect to the mainboard CD-in connector CDIN1 or CDIN2 (D).</p>	

When you first start up your system, the BIOS should automatically detect your CD-ROM/DVD drive. If it doesn't, enter the Setup Utility and configure the CD-ROM/DVD drive that you have installed. See IDE Primary/Secondary Master/Slave (Auto) on page 27 for more information.

Installing a Floppy Diskette Drive

The mainboard has a floppy diskette drive (FDD) interface and ships with a diskette drive ribbon cable that supports one or two floppy diskette drives. You can install a 5.25-inch drive and a 3.5-inch drive with various capacities. The floppy diskette drive cable has one type of connector for a 5.25-inch drive and another type of connector for a 3.5-inch drive.

<p>1. Install the FDD into the drive cage in your system case.</p> <p>2. Plug the FDD cable into FLOPPY1 (A):</p> <p>Note: Ribbon cable connectors are usually keyed so that they can only be installed correctly on the device connector. If the connector is not keyed, make sure that you match the pin-1 side of the cable connector with the pin-1 side of the device connector. Each connector has the pin-1 side clearly marked. The pin-1 side of each ribbon cable is always marked with a colored stripe on the cable.</p>	
<p>3. Plug the correct connector on the FDD cable for the 5.25-inch or 3.5-inch drive into the FDD connector (B).</p>	
<p>4. Plug a power cable from the case power supply into the power connector on the FDD (C).</p>	

When you first start up your system, go immediately to the Setup Utility to configure the floppy diskette drives that you have installed. See Standard CMOS Features on page 26 for more information.

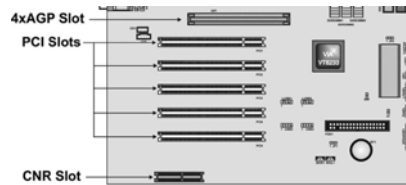
Installing Add-on Cards

This mainboard has five 32-bit PCI (Peripheral Components Interconnect) expansion slots, one 4xAGP slot, and one Communications and Networking Riser (CNR) slot.

PCI Slots PCI slots are used to install expansion cards that have the 32-bit PCI interface.

4xAGP Slot The 4xAGP slot is used to install a graphics adapter that supports the 4xAGP specification and has a 4xAGP edge connector.

CNR Slot This slot is used to insert CNR cards with Modem and Audio functionality.



Note: Before installing an add-on card, check the documentation for the card carefully. If the card is not Plug and Play, you may have to manually configure the card before installation.

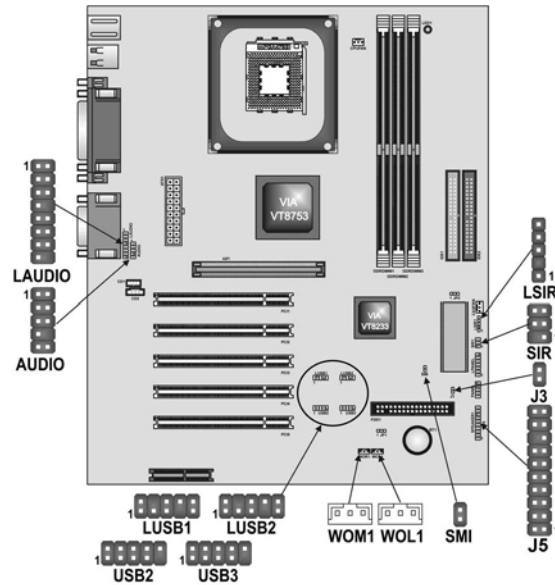
Follow these instructions to install an add-on card:

1. Remove a blanking plate from the system case corresponding to the slot you are going to use.	
2. Install the edge connector of the add-on card into the expansion slot. Ensure that the edge connector is correctly seated in the slot.	An isometric diagram showing an add-on card being inserted into a slot on a mainboard. The card's edge connector is shown fitting into the slot. Labels 'Edge connector' and 'Add-on card' are present.
3. Secure the metal bracket of the card to the system case with a screw.	

Note: For some add-on cards, for example graphics adapters and network adapters, you have to install drivers and software before you can begin using the add-on card.

Connecting Optional Devices

Refer to the following for information on connecting the mainboard's optional devices:



AUDIO: Front panel MIC/Speaker Out header

This header allows the user to install auxiliary front-oriented microphone and line-out ports for easier access.

Pin	Signal Name	Pin	Signal Name
1	MICIN	2	AGND
3	MICBIAS	4	5V
5	SPKOUTR	6	XSPKOUTR
7	Empty	8	KEY
9	SPKOUTL	10	XSPKOUTL

LAUDIO: Front panel audio header

This header (which is specially designed for OEM customers) allows the user to install auxiliary front-oriented microphone and line-out ports that comply with the OEM specifications.

Pin	Signal Name	Pin	Signal Name
1	Active LINE Out (R)	2	Active LINE Out (L)
3	GND (aLO)	4	GND (aLO)
5	GND (+12)	6	GND (+12)
7	+12V (1A)	8	(Cut away)
9	MIC	10	GND (MIC)
11	Front LINE Out(R)	12	LINE Next (R)
13	Front LINE Out (L)	14	LINE Next (L)
15	GND (tLO)	16	No pin

USB 1/2: USB panel connector

This USB panel connector (which is specially designed for OEM customers) connects to the front panel or case USB ports that comply with the OEM specifications.

USB1 Pin Assignment

Pin	Signal Name	Pin	Signal Name
1	+5V	2	Ground
3	USB2-	4	Empty
5	USB2+	6	USB3+
7	Empty	8	USB3-
9	Ground	10	+5V

USB1 Pin Assignment

Pin	Signal Name	Pin	Signal Name
1	+5V	2	Ground
3	USB4-	4	Empty
5	USB4+	6	USB5+
7	Ground	8	USB5-
9	Ground	10	+5V

USB 2/3: USB panel connector

The mainboard has USB ports installed on the rear edge I/O port array. However, some computer cases have a special module that mounts USB ports at the front of the case. If you have this kind of case, use auxiliary USB connector USB1 to connect the front-mounted ports to the mainboard.

USB2 Pin Assignment

Pin	Signal Name	Pin	Signal Name
1	VCC	2	VCC
3	USBP2-N	4	USBP3-N
5	USBP2-P	6	USBP3-P
7	Empty	8	Ground
9	Key	10	OC#

USB3 Pin Assignment

Pin	Signal Name	Pin	Signal Name
1	VCC	2	VCC
3	USBP4-N	4	USBP5-N
5	USBP4-P	6	USBP5-P
7	Ground	8	Ground
9	Key	10	OC#

WOL1/WOM1: Wake On LAN/Wake On Modem

If you have installed a LAN card, use the cable provided with the card to plug into the mainboard WOL1 connector. This enables the Wake On LAN (WOL) feature. When your system is in a power-saving mode, any LAN signal automatically resumes the system. You must enable this item using the Power Management page of the Setup Utility.

Pin	Signal Name
1	5VSB
2	Ground
3	SENSE

If you have installed a modem, use the cable provided with the modem to plug into the mainboard WOM1 connector. This enables the Wake On Modem (WOM) feature. When your system is in a power-saving mode, any modem signal automatically resumes the system. You must enable this item using the Power Management page of the Setup Utility. See Chapter 3 for more information.

SIR: Serial infrared port 1

The mainboard supports a Serial Infrared (SIR) data port. Infrared ports allow the wireless exchange of information between your computer and similarly equipped devices such as printers, laptops, Personal Digital Assistants (PDAs), and other computers.

Pin	Signal Name	Pin	Signal Name
1	NC	2	Empty
3	VCC	4	Ground
5	IRTX	6	IRRX

LSIR: Serial infrared port 2

The mainboard supports a Serial Infrared (SIR) data port. Infrared ports allow the wireless exchange of information between your computer and similarly equipped devices such as printers, laptops, Personal Digital Assistants (PDAs), and other computers.

Pin	Signal Name
1	VCC
2	Empty
3	IRRX
4	GND
5	IRTX

J3: Single color LED

This connector is used to attach to devices that need a single color LED indicator.

Pin	Signal Name
1	LED +
2	Ground

SMI: System Management Interrupt

This connector is for use with SMI hardware interrupt power management.

Pin	Signal Name
1	ExtSMI
2	Ground

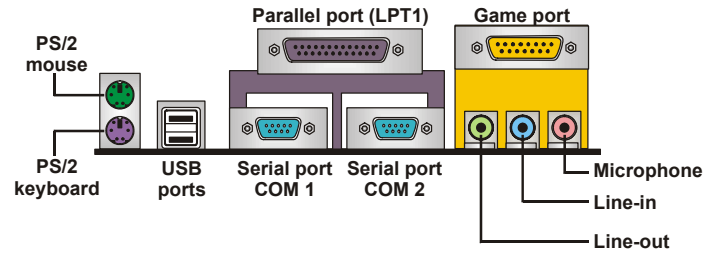
J5: Smart I/O

The Smart I/O connector is for use with media storage devices using the LPC interface.

Pin	Signal Name	Pin	Signal Name
1	LPCLK2	2	VCC3
3	SERIRQ	4	VCC3
5	-LFRAME	6	GND
7	NC	8	GND
9	LAD0	10	5VSB
11	LAD1	12	GND
13	LAD2	14	GND
15	LAD3	16	EMPTY
17	-PCIRST	18	VCC
19	-PME	20	VCC

Connecting I/O Devices

The backplane of the mainboard has the following I/O ports:



PS/2 Mouse Use the upper PS/2 port to connect a PS/2 pointing device.

PS/2 Keyboard Use the lower PS/2 port to connect a PS/2 keyboard.

USB Ports Use the USB ports to connect USB devices.

LPT1 Use LPT1 to connect printers or other parallel communications devices.

COM1/2 Use the COM ports to connect serial devices such as mice or fax/modems. COM1 is identified by the system as COM1/3. COM2 is identified by the system as COM2/4.

Game Port Use the game port to connect a joystick or a MIDI device.

Audio Ports Use the three audio ports to connect audio devices. The left side jack is for a stereo line-out signal. The middle jack is for a stereo line-in signal. The right side jack is for a microphone.

PS/2 Mouse Use the upper PS/2 port to connect a PS/2 pointing device.

External Connector Color Coding

Many connectors now use standard colors as shown in the table below.

Connector	Color
Analog VGA	Blue
Audio line-in	Light blue
Audio line-out	Lime
Digital monitor/flat panel	White
IEEE 1394	Grey
Microphone	Pink
MIDI/game	Gold
Parallel	Burgundy
PS/2-compatible keyboard	Purple
PS/2-compatible mouse	Green
Serial	Teal or Turquoise
Speaker out/subwoofer	Orange
Right-to-left speaker	Brown
USB	Black
Video out	Yellow
SCSI, network, telephone, modem	None

This concludes Chapter 2. The next chapter covers the BIOS.

Chapter 3

Using BIOS

About the Setup Utility

The computer uses the latest Award BIOS with support for Windows Plug and Play. The CMOS chip on the mainboard contains the ROM setup instructions for configuring the mainboard BIOS.

The BIOS (Basic Input and Output System) Setup Utility displays the system's configuration status and provides you with options to set system parameters. The parameters are stored in battery-backed-up CMOS RAM that saves this information when the power is turned off. When the system is turned back on, the system is configured with the values you stored in CMOS.

The BIOS Setup Utility enables you to configure:

- Hard drives, diskette drives, and peripherals
- Video display type and display options
- Password protection from unauthorized use
- Power management features

The settings made in the Setup Utility affect how the computer performs. Before using the Setup Utility, ensure that you understand the Setup Utility options.

This chapter provides explanations for Setup Utility options.

The Standard Configuration

A standard configuration has already been set in the Setup Utility. However, we recommend that you read this chapter in case you need to make any changes in the future.


This Setup Utility should be used:

- when changing the system configuration
- when a configuration error is detected and you are prompted to make changes to the Setup Utility
- when trying to resolve IRQ conflicts
- when making changes to the Power Management configuration
- when changing the password or making other changes to the Security Setup

Entering the Setup Utility

When you power on the system, BIOS enters the Power-On Self Test (POST) routines. POST is a series of built-in diagnostics performed by the BIOS. After the POST routines are completed, the following message appears:

Press DEL to enter SETUP

Pressing the delete key  accesses the BIOS Setup Utility:

CMOS Setup Utility – Copyright (C) 1984 – 2001 Award Software

▶ Standard CMOS Features	▶ Frequency/Voltage Control
▶ Advanced BIOS Features	Load Fail-Safe Defaults
▶ Advanced Chipset Features	Load Optimized Defaults
▶ Integrated Peripherals	Set Supervisor Password
▶ Power Management Setup	Set User Password
▶ PnP/PCI Configurations	Save & Exit Setup
▶ PC Health Status	Exit Without Saving
Esc : Quit	↑ ↓ → ← : Select Item
F10 : Save & Exit Setup	
Time, Date, Hard Disk Type . . .	

BIOS Navigation Keys

The BIOS navigation keys are listed below:

Key	Function
Esc	Exits the current menu
←↑↓→	Scrolls through the items on a menu
+/-/PU/PD	Modifies the selected field's values
F10	Saves the current configuration and exits setup
F1	Displays a screen that describes all key functions
F5	Loads previously saved values to CMOS
F6	Loads a minimum configuration for troubleshooting.
F7	Loads an optimum set of values for peak performance

Updating the BIOS

You can download and install updated BIOS for this mainboard from the manufacturer's Web site. New BIOS provides support for new peripherals, improvements in performance, or fixes for known bugs. Install new BIOS as follows:

1. If your mainboard has a BIOS protection jumper, change the setting to allow BIOS flashing.

2. If your mainboard has an item called Firmware Write Protect in Advanced BIOS features, disable it. (Firmware Write Protect prevents BIOS from being overwritten.)
3. Create a bootable system disk. (Refer to Windows online help for information on creating a bootable system disk.)
4. Download the Flash Utility and new BIOS file from the manufacturer's Web site. Copy these files to the system diskette you created in Step 3.
5. Turn off your computer and insert the system diskette in your computer's diskette drive. (You might need to run the Setup Utility and change the boot priority items on the Advanced BIOS Features Setup page, to force your computer to boot from the floppy diskette drive first.)
6. At the A:\ prompt, type the Flash Utility program name and press <Enter>. You see a screen similar to the following:

FLASH MEMORY WRITER V7.33	
(C) Award Software 1999 All Rights Reserved	
For (MAINBOARD NAME)	DATE: 10/26/2000
Flash Type	
File Name to Program :	<input type="text"/>
Error Message	

7. Type the filename of the new BIOS in the "File Name to Program" text box. Follow the onscreen directions to update the mainboard BIOS.
8. When the installation is complete, remove the floppy diskette from the diskette drive and restart your computer. If your mainboard has a Flash BIOS jumper, reset the jumper to protect the newly installed BIOS from being overwritten.

Using BIOS

When you start the Setup Utility, the main menu appears. The main menu of the Setup Utility displays a list of the options that are available. A highlight indicates which option is currently selected. Use the cursor arrow keys to move the highlight to other options. When an option is highlighted, execute the option by pressing <Enter>.

Some options lead to pop-up dialog boxes that prompt you to verify that you wish to execute that option. Other options lead to dialog boxes that prompt you for information.

Some options (marked with a triangle ►) lead to submenus that enable you to change the values for the option. Use the cursor arrow keys to scroll through the items in the submenu.

In this manual, default values are enclosed in parenthesis. Submenu items are denoted by a triangle ►.

Standard CMOS Features

This option displays basic information about your system.

CMOS Setup Utility – Copyright (C) 1984 – 2001 Award Software
Standard CMOS Features

Date (mm:dd:yy)	Tue, July 11 2001	Item Help
Time (hh:mm:ss)	12 : 8 : 59	
▶ IDE Primary Master		Menu Level ▶
▶ IDE Primary Slave		Change the day, month, year and century.
▶ IDE Secondary Master		
▶ IDE Secondary Slave		
Drive A	[1.44M, 3.5 in.]	
Drive B	[None]	
Floppy 3 Mode Support	[Disabled]	
Video	[EGA/VGA]	
Halt On	[All Errors]	
Base Memory	640K	
Extended Memory	31744K	
Total Memory	32768K	

↑↓→← : Move Enter : Select +/-/PU/PD:Value: F10: Save ESC: Exit F1:General Help
F5:Previous Values F6:Fail-Safe Defaults F7:Optimized Defaults

Date and Time

The Date and Time items show the current date and time on the computer. If you are running a Windows OS, these items are automatically updated whenever you make changes to the Windows Date and Time Properties utility.

▶ IDE Devices (None)

Your computer has two IDE channels (Primary and Secondary) and each channel can be installed with one or two devices (Master and Slave). Use these items to configure each device on the IDE channel.

Press <Enter> to display the IDE submenu:

CMOS Setup Utility – Copyright © 1984 – 2001 Award Software
IDE Primary Master

IDE HDD Auto-Detection	[Press Enter]	Item Help
IDE Primary Master Access Mode	[Auto]	
Access Mode	[Auto]	Menu Level ▶▶
Capacity	0 MB	To auto-detect the HDD's size, head . . . on this channel
Cylinder	0	
Head	0	
Precomp	0	
Landing Zone	0	
Sector	0	

↑↓→← : Move Enter : Select +/-/PU/PD:Value: F10: Save ESC: Exit F1:General Help
F5:Previous Values F6:Fail-Safe Defaults F7:Optimized Defaults

IDE HDD Auto-Detection

Press <Enter> while this item is highlighted to prompt the Setup Utility to automatically detect and configure an IDE device on the IDE channel.

Note: If you are setting up a new hard disk drive that supports LBA mode, more than one line will appear in the parameter box. Choose the line that lists LBA for an LBA drive.

IDE Primary/Secondary Master/Slave (Auto)

Leave this item at Auto to enable the system to automatically detect and configure IDE devices on the channel. If it fails to find a device, change the value to Manual and then manually configure the drive by entering the characteristics of the drive in the items described below.

Refer to your drive's documentation or look on the drive casing if you need to obtain this information. If no device is installed, change the value to None.

Note: Before attempting to configure a hard disk drive, ensure that you have the configuration information supplied by the manufacturer of your hard drive. Incorrect settings can result in your system not recognizing the installed hard disk.

Access Mode

This item defines ways that can be used to access IDE hard disks such as LBA (Large Block Addressing). Leave this value at Auto and the system will automatically decide the fastest way to access the hard disk drive.

Press <Esc> to return to the Standard CMOS Features page.

Drive A/Drive B (1.44M, 3.5 in./None)

These items define the characteristics of any diskette drive attached to the system. You can connect one or two diskette drives.

Floppy 3 Mode Support (Disabled)

Floppy 3 mode refers to a 3.5-inch diskette with a capacity of 1.2 MB. Floppy 3 mode is sometimes used in Japan.

Video (EGA/VGA)

This item defines the video mode of the system. This mainboard has a built-in VGA graphics system; you must leave this item at the default value.

Halt On (All Errors)

This item defines the operation of the system POST (Power On Self Test) routine. You can use this item to select which types of errors in the POST are sufficient to halt the system.


Base Memory, Extended Memory, and Total Memory

These items are automatically detected by the system at start up time. These are display-only fields. You cannot make changes to these fields.

Advanced BIOS Setup Option

This option defines advanced information about your system.

CMOS Setup Utility – Copyright (C) 1984 – 2001 Award Software
Advanced BIOS Features

Anti-Virus Protection	[Disabled]		Item Help
CPU L1 & L2 Cache	[Enabled]		Menu Level ▶
CPU L2 Cache ECC Checking	[Enabled]		Allows you to choose the VIRUS warning feature for IDE Hard
Quick Power On Self Test	[Enabled]		Disk boot sector protection. If this function is enabled and someone attempts to write data into this area, BIOS will show a warning message on screen and alarm beep
First Boot Device	[Floppy]		
Second Boot Device	[HDD-0]		
Third Boot Device	[CD-ROM]		
Boot Other Device	[Enabled]		
Swap Floppy Drive	[Disabled]		
Boot Up Floppy Seek	[Enabled]		
Boot Up NumLock Status	[On]		
Typematic Rate Setting	[Disabled]		
x Typematic Rate (Chars/Sec)	6		
x Typematic Delay (Msec)	250		
Security Option	[Setup]		
OS Select For DRAM > 64MB	[Non-OS2]		
HDD S.M.A.R.T. Capability	[Disabled]		
Report No FDD for WIN95	[Yes]		
Video BIOS Shadow	[Enabled]		
Small Logo (EPA) Show	[Disabled]		

↑ ↓ → ← : Move Enter : Select +/-/PU/PD: Value: F10: Save ESC: Exit F1: General Help
F5: Previous Values F6: Fail-Safe Defaults F7: Optimized Defaults

Anti-Virus Protection (Disabled)

When enabled, this item provides protection against viruses that try to write to the boot sector and partition table of your hard disk drive. You need to disable this item when installing an operating system. We recommend that you enable this item as soon as you have installed an operating system.

Note: For complete protection against viruses, install virus software in your operating system and update the virus definitions regularly.

CPU L1 & L2 Cache (Enabled)

All processors that can be installed in this mainboard use internal level 1 (L1) cache and level 2 (L2) cache memory to improve performance. Leave this item at the default value for better performance.

CPU L2 Cache ECC Checking (Enabled)

This item enables or disables ECC (Error Correction Code) error checking on the CPU cache memory. We recommend that you leave this item at the default value.

Quick Power On Self Test (Enabled)

Enable this item to shorten the power on testing (POST) and have your system start up faster. You might like to enable this item after you are confident that your system hardware is operating smoothly.

First/Second/Third Boot Device (Floppy/HDD-0/CD-ROM)

Use these three items to select the priority and order of the devices that your system searches for an operating system at start-up time.

Boot Other Device (Enabled)

When enabled, the system searches all other possible locations for an operating system if it fails to find one in the devices specified under the First, Second, and Third boot devices.

Swap Floppy Drive (Disabled)

If you have two floppy diskette drives in your system, this item allows you to swap the assigned drive letters so that drive A becomes drive B, and drive B becomes drive A.

Boot Up Floppy Seek (Enabled)

If this item is enabled, it checks the size of the floppy disk drives at start-up time. You don't need to enable this item unless you have a legacy diskette drive with 360K capacity.

Boot Up NumLock Status (On)

This item defines if the keyboard Num Lock key is active when your system is started.

Typematic Rate Setting (Disabled)

If this item is enabled, you can use the following two items to set the typematic rate and the typematic delay settings for your keyboard.

- **Typematic Rate (6 Chars/Sec):** Use this item to define how many characters per second are generated when a key is held down.
- **Typematic Delay (250 Msec):** Use this item to define how many milliseconds must elapse before a held-down key begins generating repeat characters.

Security Option (Setup)

If you have installed password protection, this item defines if the password is required at system start up, or if it is only required when a user tries to enter the Setup Utility.

OS Select For DRAM > 64 MB (Non-OS2)

This item is only required if you have installed more than 64 MB of memory and you are running the OS/2 operating system. Otherwise, leave this item at the default.

HDD S.M.A.R.T Capability (Disabled)

The S.M.A.R.T. (Self-Monitoring, Analysis, and Reporting Technology) system is a diagnostics technology that monitors and predicts device performance. S.M.A.R.T. software resides on both the disk drive and the host computer.

The disk drive software monitors the internal performance of the motors, media, heads, and electronics of the drive. The host software monitors the overall reliability status of the drive. If a device failure is predicted, the host software, through the Client WORKS S.M.A.R.T applet, warns the user of the impending

condition and advises appropriate action to protect the data.

Report No FDD for WIN95 (Yes)

Select Yes to release IRQ6 when the system contains no floppy drive, for compatibility with Windows 95 logo certification.

Video BIOS Shadow (Enabled)

This function, when enabled allows VGA BIOS to be copied to the system DRAM for enhanced performance.

Small Logo (EPA) Show (Disabled)

Determines whether or not the EPA logo appears during boot up.

Advanced Chipset Features Option

These items define critical timing parameters of the mainboard. You should leave the items on this page at their default values unless you are very familiar with the technical specifications of your system hardware. If you change the values incorrectly, you may introduce fatal errors or recurring instability into your system.

CMOS Setup Utility – Copyright (C) 1984 – 2001 Award Software
Advanced Chipset Features

▶ DRAM Clock/Drive Control	[Press Enter]	Item Help
▶ AGP & P2P Bridge Control	[Press Enter]	
▶ CPU & PCI Bus Control	[Press Enter]	Menu Level ▶
Memory Hole	[Disabled]	
System BIOS Cacheable	[Disabled]	
Video RAM Cacheable	[Disabled]	

↑↓→← : Move Enter : Select +/-/PU/PD:Value: F10: Save ESC: Exit F1:General Help
 F5:Previous Values F6:Fail-Safe Defaults F7:Optimized Defaults

► **DRAM Clock/Drive Control**

Scroll to this item and press <Enter> to view the following screen:

CMOS Setup Utility – Copyright (C) 1984 – 2001 Award Software
DRAM Clock/Drive Control

Current FSB Frequency		Item Help
Current DRAM Frequency		Menu Level ►
DRAM Clock	[By SPD]	
DRAM Timing	[Manual]	
SDRAM CAS Latency	[3]	
Bank Interleave	[4 Bank]	
Precharge to Active(Trp)	[3T]	
Active to Precharge (Tras)	[6T]	
Active to CMD(Trcd)	[3T]	
DRAM Burst Len	[4]	
DRAM Command Rate	[2T Command]	

↑↓→← : Move Enter : Select +/-/PU/PD:Value: F10: Save ESC: Exit F1:General Help
F5:Previous Values F6:Fail-Safe Defaults F7:Optimized Defaults

Current FSB Frequency

This item displays the frontside bus (FSB) frequency. This is a display-only item. You cannot make changes to this field.

Current DRAM Frequency

This item displays the memory (DRAM) frequency. This is a display-only item. You cannot make changes to this field.

DRAM Clock (By SPD)

This item enables you to manually set the DRAM Clock. We recommend that you leave this item at the default value.

DRAM Timing (Manual)

Set this By SPD to enable the system to automatically set the SDRAM timing by SPD (Serial Presence Detect). SPD is an EEPROM chip on the DIMM module that stores information about the memory chips it contains, including size, speed, voltage, row and column addresses, and manufacturer. If you disable this item, you can use the following three items to manually set the timing parameters for the system memory

SDRAM CAS Latency (3)

Enables you to select the CAS latency time in HCLKs of 2/2 or 3/3. The value is set at the factory depending on the DRAM installed. Do not change the values in this field unless you change specifications of the installed DRAM or the installed CPU. The options are "2" and "3" default.

Bank Interleave (4 Bank)

Enable this item to increase memory speed. When enabled, separate memory banks are set for odd and even addresses and the next byte of memory can be accessed while the current byte is being refreshed.

Precharge to Active (3T)

This item is used to designate the minimum Row Precharge time of the SDRAM devices on the module.

DRAM must continually be refreshed or it will lose its data. Normally, DRAM is refreshed entirely as the result of a single request. This option allows you to determine the number of CPU clocks allocated for the Row Address Strobe (RAS) to accumulate its charge before the DRAM is refreshed. If insufficient time is allowed, refresh may be incomplete and data lost.

Active to Precharge (6T)

This item specifies the number of clock cycles needed after a bank active command before a precharge can occur.

Active to CMD (3T)

This item specifies the minimum required delay between activation of different rows.

DRAM Burst Len (4)

This item describes which burst lengths are supported by the devices on the mainboard.

DRAM Command Rate (2T command)

This item enables you to specify the waiting time for the CPU to issue the next command after issuing the command to the DDR memory. We recommend that you leave this item at the default value.

Press <Esc> to return to the Advanced Chipset Features page.

► AGP & P2P Bridge Control

Scroll to this item and press <Enter> to view the following screen:

CMOS Setup Utility – Copyright (C) 1984 – 2001 Award Software
AGP & P2P Bridge Control

AGP Aperture Size	[64M]	Item Help
AGP Mode	[4X]	
AGP Driving Control	[Auto]	Menu Level ►
x AGP Driving Value	DA	
AGP Fast Write	[Disabled]	
AGP Master 1 WS Write	[Disabled]	
AGP Master WS Read	[Disabled]	

↑↓→← : Move Enter : Select +/-/PU/PD:Value: F10: Save ESC: Exit F1:General Help
F5:Previous Values F6:Fail-Safe Defaults F7:Optimized Defaults

AGP Aperture Size (64 MB)

This item defines the size of the aperture if you use an AGP graphics adapter. The AGP aperture refers to a section of the PCI memory address range used

for graphics memory. We recommend that you leave this item at the default value.

AGP Mode (4X)

This item allows you to enable or disable the caching of display data for the processor video memory. Enabling AGP-4X Mode can greatly improve the display speed. Disable this item if your graphics display card does not support this feature.

AGP Driving Control (Auto)

This item is used to signal driving current on AGP cards to auto or manual. Some AGP cards need stronger than normal driving current in order to operate. We recommend that you set this item to the default.

- **AGP Driving Value:** When AGP Driving Control is set to Manual, use this item to set the AGP current driving value.

AGP Master 1 WS Write (Disabled)

This implements a single delay when writing to the AGP Bus. By default, two-wait states are used by the system, providing greater stability.

AGP Fast Write (Disabled)

This item lets you enable or disable the caching of display data for the video memory of the processor. Enabling this item can greatly improve the display speed. Disable this item if your graphics display card does not support this feature.

AGP Master 1 WS Write (Disabled)

This implements a single delay when writing to the AGP Bus. By default, two-wait states are used by the system, providing greater stability.

AGP Master 1 WS Read (Disabled)

This implements a single delay when reading to the AGP Bus. By default, two-wait states are used by the system, allowing for greater stability.

Press <Esc> to return to the Advanced Chipset Features page.

► **CPU & PCI Bus Control**

Scroll to this item and press <Enter> to view the following screen:

CMOS Setup Utility – Copyright (C) 1984 – 2001 Award Software
CPU & PCI Bridge Control

CPU to PCI Write Buffer	[Enabled]	Item Help
PCI Master 0 WS Write	[Enabled]	
PCI Delay Transaction	[Enabled]	Menu Level ►

↑↓→← : Move Enter : Select +/-/PU/PD:Value: F10: Save ESC: Exit F1:General Help
 F5:Previous Values F6:Fail-Safe Defaults F7:Optimized Defaults

CPU to PCI Write Buffer (Enabled)

When enabled, writes from the CPU to PCU bus are buffered, to compensate for the speed differences between the CPU and PCI bus. When disabled, the writes are not buffered and the CPU must wait until the write is complete before starting another write cycle.

PCI Master 0 WS Write (Enabled)

When enabled, writes to the PCI bus are executed with zero wait states.

PCI Delay Transaction (Enabled)

The mainboard's chipset has an embedded 32-bit post write buffer to support delay transactions cycles. Select Enabled to support compliance with PCI specification version 2.1.

Memory Hole (Disabled)

This item is used to reserve memory space for ISA expansion cards that require it.

System BIOS/Video RAM Cacheable (Disabled)

These items allow the video and system to be cached in memory for faster execution. Leave these items at the default value for better performance.

Press <Esc> to return to the previous screen.

Integrated Peripherals Option

These options display items that define the operation of peripheral components on the system's input/output ports.

CMOS Setup Utility – Copyright (C) 1984 – 2001 Award Software
Integrated Peripherals

		Item Help
▶ VIA OnChip IDE Device	[Press Enter]	
▶ VIA On Chip PCI Device	[Press Enter]	
▶ Super I/O Device	[Press Enter]	Menu Level ▶
Init Display First	[PCI Slot]	
OnChip USB Controller	[All Enabled]	
USB Keyboard Support	[Disabled]	
USB Mouse Support	[Disabled]	
IDE HDD Block Mode	[Enabled]	

↑↓→← : Move Enter : Select +/-/PU/PD:Value: F10: Save ESC: Exit F1:General Help
F5:Previous Values F6:Fail-Safe Defaults F7:Optimized Defaults

▶ VIA OnChip IDE Device

Scroll to this item and press <Enter> to view the following screen:

CMOS Setup Utility – Copyright (C) 1984 – 2001 Award Software
VIA OnChip IDE Device

		Item Help
OnChip IDE Channel0	[Enabled]	
OnChip IDE Channel1	[Enabled]	
IDE Prefetch Mode	[Enabled]	Menu Level ▶▶
Primary Master PIO	[Auto]	
Primary Slave PIO	[Auto]	
Secondary Master PIO	[Auto]	
Secondary Slave PIO	[Auto]	
Primary Master UDMA	[Auto]	
Primary Slave UDMA	[Auto]	
Secondary Master UDMA	[Auto]	
Secondary Slave UDMA	[Auto]	

↑↓→← : Move Enter : Select +/-/PU/PD:Value: F10: Save ESC: Exit F1:General Help
F5:Previous Values F6:Fail-Safe Defaults F7:Optimized Defaults

On-Chip IDE Channel 0/1 (Enabled)

Use these items to enable or disable the PCI IDE channels that are integrated on the mainboard.

IDE Prefetch Mode (Enabled)

The onboard IDE drive interfaces supports IDE prefetching, for faster drive access. If you install a primary and secondary add-on IDE interface, set this

field to Disabled if the interface does not support prefetching.

IDE Primary/Secondary Master/Slave PIO (Auto)

Each IDE channel supports a master device and a slave device. These four items let you assign which kind of PIO (Programmed Input/Output) is used by IDE devices. Choose Auto to let the system auto detect which PIO mode is best, or select a PIO mode from 0-4.

IDE Primary/Secondary Master/Slave UDMA (Auto)

Each IDE channel supports a master device and a slave device. This mainboard supports UltraDMA technology, which provides faster access to IDE devices.

If you install a device that supports UltraDMA, change the appropriate item on this list to Auto. You may have to install the UltraDMA driver supplied with this mainboard in order to use an UltraDMA device.

Press <Esc> to return to the Integrated Peripherals screen.

► **VIA OnChip PCI Device**

Scroll to this item and press <Enter> to view the following screen:

CMOS Setup Utility – Copyright (C) 1984 – 2001 Award Software
VIA OnChip PCI Device

VIA-3058 AC97 Audio	[Auto]	Item Help
VIA-3068 MC97 Modem	[Auto]	Menu Level ►►

↑↓→← : Move Enter : Select +/-/PU/PD:Value: F10: Save ESC: Exit F1:General Help
 F5:Previous Values F6:Fail-Safe Defaults F7:Optimized Defaults

VIA-3058 AC97 Audio (Auto)

Enables and disables the onboard audio chip. Disable this item if you are going to install a PCI audio add-on card.

VIA-3068 MC97 Modem (Auto)

Enables and disables the onboard modem. Disable this item if you are going to install an external modem.

Press <Esc> to return to the Integrated Peripherals screen.

► SuperIO Device

Scroll to this item and press <Enter> to view the following screen:

CMOS Setup Utility – Copyright (C) 1984 – 2001 Award Software
SuperIO Device

Onboard FDC Controller	[Enabled]	Item Help
Onboard Serial Port 1	[3F8/IRQ4]	Menu Level ►►
Onboard Serial Port 2	[2F8/IRQ3]	
UART Mode Select	[Normal]	
UR2 Duplex Mode	[Half]	
Onboard Parallel Port	[378/IRQ7]	
Parallel Port Mode	[ECP]	
ECP Mode Use DMA	[3]	
Game Port Address	[201]	
Midi Port Address	[330]	
Midi Port IRQ	[10]	

↑↓→← : Move Enter : Select +/-/PU/PD:Value: F10: Save ESC: Exit F1:General Help
F5:Previous Values F6:Fail-Safe Defaults F7:Optimized Defaults

Onboard FDC Controller (Enabled)

This option enables the onboard floppy disk drive controller.

Onboard Serial Port 1 (3F8/IRQ4)

This option is used to assign the I/O address and address and interrupt request (IRQ) for onboard serial port 1 (COM1).

Onboard Serial Port 2 (2F8/IRQ3)

This option is used to assign the I/O address and address and interrupt request (IRQ) for onboard serial port 2 (COM2).

UART Mode Select (Normal)

This field is available if the Onboard Serial Port 2 field is set to any option but Disabled. UART Mode Select enables you to select the infrared communication protocol-Normal (default), IrDA, or ASKIR. IrDA is an infrared communication protocol with a maximum baud rate up to 115.2K bps. ASKIR is Sharp's infrared communication protocol with a maximum baud rate up to 57.6K bps.

UR2 Duplex Mode (Half)

This field is available when UART 2 Mode is set to either ASKIR or IrDA. This item enables you to determine the infrared (IR) function of the onboard infrared chip. The options are Full and Half (default).

Full-duplex means that you can transmit and send information simultaneously. Half-duplex is the transmission of data in both directions, but only one direction at a time.

Onboard Parallel Port (378/IRQ7)

This option is used to assign the I/O address and interrupt request (IRQ) for the onboard parallel port.

Parallel Port Mode (ECP)

Enables you to set the data transfer protocol for your parallel port. There are four options: SPP (Standard Parallel Port), EPP (Enhanced Parallel Port), ECP (Extended Capabilities Port) and ECP+EPP.

SPP allows data output only. Extended Capabilities Port (ECP) and Enhanced Parallel Port (EPP) are bi-directional modes, allowing both data input and output. ECP and EPP modes are only supported with EPP and ECP aware peripherals.

ECP Mode Use DMA (3)

When the onboard parallel port is set to ECP mode, the parallel port can use DMA 3 or DMA 1.

Game Port Address (201)

This item sets the I/O address for the game port.

Midi Port Address (330)

This item sets the I/O address for the Midi function.

Midi Port IRQ (10)

This item sets the interrupt request for the Midi function.

Press <Esc> to return to the Integrated Peripherals screen.

Init Display First (PCI Slot)

Use this item to specify whether your graphics adapter is installed in one of the PCI slots or is integrated on the mainboard.

OnChip USB Controller (All Enabled)

Enable this item if you plan to use the Universal Serial Bus ports on this mainboard.

USB Keyboard Support (Disabled)

Enable this item if you plan to use a USB mouse.

USB Mouse Support (Disabled)

Enable this item if you plan to use a keyboard connected through the USB port in a legacy operating system (such as DOS) that does not support Plug and Play.

IDE HDD Block Mode (Enabled)

Enable this field if your IDE hard drive supports block mode. Block mode enables BIOS to automatically detect the optimal number of block read and writes per sector that the drive can support and improves the speed of access to IDE devices.

Power Management Setup Option

This option lets you control system power management. The system has various power-saving modes including powering down the hard disk, turning off the video, suspending to RAM, and software power down that allows the system to be automatically resumed by certain events.

Power Management Timeouts

The power-saving modes can be controlled by timeouts. If the system is inactive for a time, the timeouts begin counting. If the inactivity continues so that the timeout period elapses, the system enters a power-saving mode. If any item in the list of Reload Global Timer Events is Enabled, then any activity on that item will reset the timeout counters to zero.

Wake Up Calls

If the system is suspended, or has been powered down by software, it can be resumed by a wake up call that is generated by incoming traffic to a modem, a LAN card, a PCI card, or a fixed alarm on the system realtime clock.

CMOS Setup Utility – Copyright (C) 1984 – 2001 Award Software
Power Management Setup

		Item Help
ACPI function	[Enabled]	
ACPI Suspend Type	[S1(POS)]	
Power Management Option	[User Define]	Menu Level ▶
HDD Power Down	[Disabled]	
Suspend Mode	[Disabled]	
Video Off Option	[Suspend --> Off]	
Video Off Method	[DPMS Support]	
MODEM Use IRQ	[3]	
Soft-Off by PWRBTN	[Instant-Off]	
PWRON After PWR-Fail	[Off]	
▶ IRQ/Event Activity Detect	[Press Enter]	

↑↓ →← : Move Enter : Select +/-/PU/PD:Value: F10: Save ESC: Exit F1:General
Help F5:Previous Values F6:Fail-Safe Defaults F7:Optimized Defaults

ACPI Function (Enabled)

This mainboard supports ACPI (Advanced Configuration and Power management Interface). Use this item to enable or disable the ACPI feature.

Note: ACPI is a power management specification that makes hardware status information available to the operating system. ACPI enables a PC to turn its peripherals on and off for improved power management. It also allows the PC to be turned on and off by external devices, so that mouse or keyboard activity wakes up the computer.

ACPI Suspend Type (S1(POS))

Use this item to define how your system suspends. In the default, S1(POS),

the suspend mode is equivalent to a software power down. If you select S3 (STR), the suspend mode is a suspend to RAM - the system shuts down with the exception of a refresh current to the system memory.

Power Management Option (User Define)

This item acts like a master switch for the power-saving modes and hard disk timeouts. If this item is set to Max Saving, power-saving modes occur after a short timeout. If this item is set to Min Saving, power-saving modes occur after a longer timeout. If the item is set to User Define, you can insert your own timeouts for the power-saving modes.

HDD Power Down (Disabled)

The IDE hard drive will spin down if it is not accessed within a specified length of time. Options are from 1 Min to 15 Min and Disable.

Suspend Mode (Disabled)

After the selected period of system inactivity, all devices except the CPU shut off.

Video Off Option (Suspend --> Off)

This option defines if the video is powered down when the system is put into suspend mode.

Video Off Method (DPMS Support)

This item defines how the video is powered down to save power. This item is set to DPMS (Display Power Management Software) by default.

MODEM Use IRQ (3)

If you want an incoming call on a modem to automatically resume the system from a power-saving mode, use this item to specify the interrupt request line (IRQ) that is used by the modem. You might have to connect the fax/modem to the mainboard Wake On Modem connector for this feature to work.

Soft-Off by PWRBTN (Instant-Off)

Under ACPI (Advanced Configuration and Power management Interface) you can create a software power down. In a software power down, the system can be resumed by Wake Up Alarms. This item lets you install a software power down that is controlled by the normal power button on your system. If the item is set to Instant-Off, then the power button causes a software power down. If the item is set to Delay 4 Sec. then you have to hold the power button down for four seconds to cause a software power down.

PWRON After PWR-Fail (Off)

This item enables your computer to automatically restart or return to its last operating status after power returns from a power failure.

► **IRQ/Event Activity Detect**

Scroll to this item and press <Enter> to view the following screen:

CMOS Setup Utility – Copyright (C) 1984 – 2000 Award Software
IRQ/Event Activity Detect

PS/2 KB /WakeUp from S3/S4/S5	[Disabled]	Item Help
USB Resume from S3	[Enabled]	
VGA	[OFF]	Menu Level ►►
LPT & COM	[LPT/COM]	
HDD & FDD	[ON]	
PCI Master	[OFF]	
PowerOn by PCI Card	[Enabled]	
Wake Up On LAN/Ring	[Disabled]	
RTC Alarm Resume	[Disabled]	
x Date (of Month)	0	
x Resume Time (hh:mm:ss)	0 0 0	
► IRQs Activity Monitoring	[Press Enter]	

↑↓ →← : Move Enter : Select +/-/PU/PD:Value: F10: Save ESC: Exit F1:General Help
F5:Previous Values F6:Fail-Safe Defaults F7:Optimized Defaults

This item opens a submenu that enables you to set events that will resume the system from a power saving mode.

PS/2 KB WakeUp from S3/S4/S5 (Disabled)

This option allows you to set hot key combination to turn on the system.

USB Resume from S3 (Enabled)

When set to Enabled, the system power will resume the system from a power saving mode if there is any USB port activity.

VGA (Off)

When set to On, the system power will resume the system from a power saving mode if there is any VGA activity.

LPT & COM (LPT/COM)

When this item is enabled, the system will restart the power-saving timeout counters when any activity is detected on the serial ports, or the parallel port.

HDD & FDD (ON)

When this item is enabled, the system will restart the power-saving timeout counters when any activity is detected on the hard disk drive or the floppy diskette drive.

PCI Master (OFF)

When set to Off, any PCI device set as the Master will not power on the system.

PowerOn by PCI Card (Enabled)

Use this item to enable PCI activity to wakeup the system from a power saving mode.

Wake Up On LAN/Ring (Disabled)

Use this item to enable LAN or modem activity to wakeup the system from a power saving mode.

RTC Alarm Resume (Disabled)

When set to Enabled, the following two fields become available and you can set the date (day of the month), hour, minute and second to turn on your system. When set to 0 (zero) for the day of the month, the alarm will power on your system every day at the specified time.

▶▶ IRQs Activity Monitoring

Scroll to this item and press <Enter> to view the following screen:

CMOS Setup Utility – Copyright (C) 1984 – 2001 Award Software
IRQs Activity Monitoring

Primary INTR		Item Help
IRQ 3 (COM2)	[ON] [Disabled]	Menu Level ▶▶▶
IRQ 4 (COM1)	[Enabled]	
IRQ 5 (LPT2)	[Enabled]	
IRQ 6 (Floppy Disk)	[Enabled]	
IRQ 7 (LPT1)	[Enabled]	
IRQ 8 (RTC Alarm)	[Disabled]	
IRQ 9 (IRQ2 Redir)	[Disabled]	
IRQ 10 (Reserved)	[Disabled]	
IRQ 11 (Reserved)	[Disabled]	
IRQ 12 (PS/2 Mouse)	[Enabled]	
IRQ 13 (Coprocessor)	[Enabled]	
IRQ 14 (Hard Disk)	[Enabled]	
IRQ 15 (Reserved)	[Disabled]	

↑↓ → ← : Move Enter : Select +/-/PU/PD:Value: F10: Save ESC: Exit F1:General Help
F5:Previous Values F6:Fail-Safe Defaults F7:Optimized Defaults

This screen enables you to set IRQs that will resume the system from a power saving mode.

Set any IRQ to Enabled to allow activity at the IRQ to wake up the system from a power saving mode.

Press <Esc> to return to the previous screen.

PNP/PCI Configuration Option

These options configure how PnP (Plug and Play) and PCI expansion cards operate in your system. Both the ISA and PCI buses on the Mainboard use system IRQs (Interrupt ReQuests) and DMAs (Direct Memory Access). You must set up the IRQ and DMA assignments correctly through the PnP/PCI Configurations Setup utility for the mainboard to work properly. Selecting PnP/PCI Configurations on the main program screen displays this menu:

CMOS Setup Utility – Copyright (C) 1984 – 2001 Award Software
PnP/PCI Configurations

		Item Help
PNP OS Installed	[No]	
Reset Configuration Data	[Disabled]	
Resources Controlled by	[Auto(ESCD)]	
x IRQ Resources	Press Enter	Menu Level ▶
PCI/VGA Palette Snoop	[Disabled]	Default is Disabled.
Assign IRQ For VGA	[Enabled]	Select Enabled to reset
Assign IRQ For USB	[Enabled]	Extended System Con-
INT Pin1 Assignment	[Auto]	figuration Data (ESCD)
INT Pin2 Assignment	[Auto]	when you exit Setup if you
INT Pin3 Assignment	[Auto]	have installed a new add-
INT Pin4 Assignment	[Auto]	on and the system recon-
		figuration has caused
		such a serious conflict
		that the OS cannot boot

↑↓→← : Move Enter : Select +/-/PU/PD:Value: F10: Save ESC: Exit F1:General Help
F5:Previous Values F6:Fail-Safe Defaults F7:Optimized Defaults

PNP OS Installed (No)

Setting this option to Yes allows the PnP OS (instead of BIOS) to assign the system resources such as IRQ and I/O address to the ISA PnP device. The default setting is No.

Reset Configuration Data (Disabled)

If you enable this item and restart the system, any Plug and Play configuration data stored in the BIOS setup is cleared from memory. New updated data is created.

Resources Controlled By (Auto(ESCD))

You should leave this item at the default Auto(ESCD). Under this setting, the system dynamically allocates resources to Plug and Play devices as they are required. If you select the "Manual" option, the prompt on the following line, "IRQ Resources" will become available to you.

You should leave this item at the default Auto(ESCD). Under this setting, the system dynamically allocates resources to Plug and Play devices as they are required.

If you cannot get a legacy ISA (Industry Standard Architecture) expansion card to work properly, you might be able to solve the problem by changing this item to Manual, and then opening up the IRQ Resources and Memory Resources submenus.

► **IRQ Resources**

The submenu allows you to individually assign an interrupt type for interrupts IRQ-3 to IRQ-15.

CMOS Setup Utility – Copyright (C) 1984 – 2001 Award Software
PnP/PCI Configurations

			Item
IRQ-3 assigned to	[PCI Device]		Menu Level ►► Legacy ISA for devices compliant with the original PC AT bus specification, PCI/ISA PnP for devices compliant with the Plug and Play standard whether designed for PCI or ISA bus architecture
IRQ-4 assigned to	[PCI Device]		
IRQ-5 assigned to	[PCI Device]		
IRQ-7 assigned to	[PCI Device]		
IRQ-9 assigned to	[PCI Device]		
IRQ-10 assigned to	[PCI Device]		
IRQ-11 assigned to	[PCI Device]		
IRQ-12 assigned to	[PCI Device]		
IRQ-14 assigned to	[PCI Device]		
IRQ-15 assigned to	[PCI Device]		

↑↓→ ← : Move Enter : Select +/-/PU/PD:Value: F10: Save ESC: Exit F1:General Help
F5:Previous Values F6:Fail-Safe Defaults F7:Optimized Defaults

PCI/VGA Palette Snoop (Disabled)

This item is designed to overcome problems that can be caused by some non-standard VGA cards. This board includes a built-in VGA system that does not require palette snooping so you must leave this item disabled.

Assign IRQ for VGA/USB (Enabled)

Names the interrupt request (IRQ) line assigned to the USB/VGA (if any) on your system. Activity of the selected IRQ always awakens the system.

INT Pin1~4 Assignment (Auto)

Names the interrupt request (IRQ) line assigned to a device connected to the PCI interface on your system.

Press <Esc> to return to the previous screen.

PC Health Status Option

On mainboards that support hardware monitoring, this item lets you monitor the parameters for critical voltages, critical temperatures, and fan speeds:

CMOS Setup Utility – Copyright (C) 1984 – 2001 Award Software
PC Health Status

Shutdown Temperature	[Disabled]	Item Help
CPU VCORE		Menu Level ▶
2.50V		
3.30V		
5.00V		
12.00V		
Voltage Battery		
Current System Temp		
Current CPU Temp		
CPU FAN Speed		
CASE FAN Speed		

↑↓→← : Move Enter : Select +/-/PU/PD:Value: F10: Save ESC: Exit F1:General Help
F5:Previous Values F6:Fail-Safe Defaults F7:Optimized Defaults

Shutdown Temperature

Enables you to set the maximum temperature the system can reach before powering down.

System Component Characteristics

These fields provide you with information about the systems current operating status. You cannot make changes to these fields.

Frequency/Voltage Control

This item enables you to set the clock speed and system bus for your system. The clock speed and system bus are determined by the kind of processor you have installed in your system.

CMOS Setup Utility – Copyright (C) 1984 – 2001 Award Software
Frequency/Voltage Control

CPU Ratio	[Auto]	Item Help
Auto Detect PCI Clk	[Enabled]	Menu Level ▶
Spread Spectrum	[Spectrum +/- 0.5%]	
CPU Host/AGP/PCI Clock	[Default]	
CPU Voltage Regulator	[Default]	
CPU Ratio	[Auto]	

↑↓→← : Move Enter : Select +/-/PU/PD:Value: F10: Save ESC: Exit F1:General Help
F5:Previous Values F6:Fail-Safe Defaults F7:Optimized Defaults

CPU Ratio (Auto)

Use this item to select a multiplier for the system frontside bus (FSB) frequency. The value of the multiplier must be set so that:

Multiplier x Frontside Bus Frequency = CPU Clock Speed

For example, if you have a processor that is rated to run at 450 MHz and the system is running a frontside bus frequency of 100 MHz, you should select a multiplier of 4.5 so that:

4.5 (Multiplier) x 100 MHz (frontside bus) = 450 MHz (CPU clock)

Auto Detect DIMM/PCI Clk (Enabled)

When this item is enabled, BIOS will disable the clock signal of free DIMM and PCI slots.

Spread Spectrum (Spectrum +/- 0.5%)

If you enable spread spectrum, it can significantly reduce the EMI (Electro-Magnetic Interference) generated by the system.

CPU Host/AGP/PCI Clock (Default)

Use the CPU Host Clock to set the frontside bus frequency for the installed processor (usually 133 MHz, 100 MHz or 66 MHz).

CPU Voltage Regulator (Default)

If you are manually configuring the CPU clock, use this item to set the CPU voltage for more stability.

Press <Esc> to return to the previous screen.

Load Fail-Safe Defaults Option

This option opens a dialog box that lets you install fail-safe defaults for all appropriate items in the Setup Utility:

Press <Y> and then <Enter> to install the defaults. Press <N> and then <Enter> to not install the defaults. The fail-safe defaults place no great demands on the system and are generally stable. If your system is not functioning correctly, try installing the fail-safe defaults as a first step in getting your system working properly again. If you only want to install fail-safe defaults for a specific option, select and display that option, and then press <F6>.

Load Optimized Defaults Option

This option opens a dialog box that lets you install optimized defaults for all appropriate items in the Setup Utility. Press <Y> and then <Enter> to install the defaults. Press <N> and then <Enter> to not install the defaults. The optimized defaults place demands on the system that may be greater than the performance level of the components, such as the CPU and the memory. You can cause fatal errors or instability if you install the optimized defaults when your hardware does not support them. If you only want to install setup defaults for a specific option, select and display that option, and then press <F7>.

Set Password Option

This item can be used to install a password. To install a password, follow these steps:

1. Highlight the item Set Password on the main menu and press <Enter>.
2. The password dialog box appears.

Enter Password:

3. If you are installing a new password, type in the password. You cannot use more than eight characters or numbers. The Set Password item differentiates between upper and lower case characters. Press <Enter> after you have typed in the password. If you are deleting a password that is already installed press <Enter> when the password dialog box appears. You see a message that indicates that the password has been disabled.

**PASSWORD DISABLED !!!
Press any key to continue . . .**

4. Press any key. You are prompted to confirm the password:

Confirm Password:

5. Type the password again and press <Enter>, or press <Enter> if you are deleting a password that is already installed.
6. If you typed the password correctly, the password will be installed.

Save & Exit Setup Option

Highlight this item and press <Enter> to save the changes that you have made in the Setup Utility and exit the Setup Utility. When the Save and Exit dialog box appears, press <Y> to save and exit, or press <N> to return to the main menu:

Exit Without Saving

Highlight this item and press <Enter> to discard any changes that you have made in the Setup Utility and exit the Setup Utility. When the Exit Without Saving dialog box appears, press <Y> to discard changes and exit, or press <N> to return to the main menu.

Note: If you have made settings that you do not want to save, use the "Exit Without Saving" item and press <Y> to discard any changes you have made.

This concludes Chapter 3. Refer to the next chapter for information on the software supplied with the mainboard.

Using the Mainboard Software

About the Software CD-ROM

The support software CD-ROM that is included in the mainboard package contains all the drivers and utility programs needed to properly run the bundled products. Below you can find a brief description of each software program, and the location for your mainboard version. More information on some programs is available in a README file, located in the same directory as the software.

Note: Never try to install software from a folder that is not specified for use with your mainboard.

Before installing any software, always inspect the folder for files named README.TXT, INSTALL.TXT, or something similar. These files may contain important information that is not included in this manual

Audio Drivers and Software Installation

Most of the sub-folders in this folder are empty, with a short README file giving directions to alternate folders for the appropriate software.

Installation for Windows 2000/98/98SE/ME/95

To install the audio drivers, go to the directory \SOUND\VIA8233\; then run SETUP.EXE

Installation for Windows NT4.0

1. Click Start.
2. Click Settings and then click Control Panel.
3. Double-click the Multimedia icon.
4. Select the Device tab.
5. Click Add.
6. Select the item "Unlisted or Updated Driver" in the List of Drivers in the list box and then specify the path to the PCI audio NT drivers (\SOUND\VIA8233\NT4).
7. Select "Avance AC'97 Drivers and Applications" and click OK.
8. Choose the proper I/O or click OK for the default setting. Setup installs the drivers and software.
9. Restart the Windows NT system when prompted.

IDE Software

This folder has software and drivers for the IDE that is integrated on this mainboard. Drivers are provided for Windows 2000/98 and Windows NT.

Installation for Windows NT4.0

Browse to the \IDE\IDE folder and run SETUP.EXE to install the IDE driver for your operating system.

Utility Software Reference

All the utility software available from this page is Windows compliant. They are provided only for the convenience of the customer. The following software is furnished under license and may only be used or copied in accordance with the terms of the license.

Note: These software(s) are subject to change at anytime without prior notice. Please refer to the support CD for available software.

AWARD Flash Memory Utility

This utility lets you erase the system BIOS stored on a Flash Memory chip on the mainboard, and lets you copy an updated version of the BIOS to the chip. Proceed with caution when using this program. If you erase the current BIOS and fail to write a new BIOS, or write a new BIOS that is incorrect, your system will malfunction. Refer to Chapter 3, *Using BIOS* for more information.

PC-CILLIN

The PC-CILLIN software program provides anti-virus protection for your system. This program is available for Windows 2000/ME/98SE and Windows NT. Be sure to check the readme.txt and install the appropriate anti-virus software for your operating system.

We strongly recommend users to install this free anti-virus software to help protect your system against viruses.

CD Ghost

The CD Ghost software enables you to create a virtual cabinet of CD-ROM drives on your system to help you categorize and organize your CD collection. A user-friendly interface assists you in quickly creating images of both CDs and DVDs onto your system. To install the software, run SETUP.EXE from the following directory:

UTILITY\CDGHOST\ENG\CDGHOST

Recovery Genius

The Recovery Genius software program is an innovative windows application system that protects your Hard Disk Drive from virus intrusion, accidental deletions and from system corruption. To install the Recovery Genius software program run SETUP.EXE from the following directory:

UTILITY\RECOVERY GENIUS\ENGL\RECOVERYGENIUS

Language Genius

The Language Genius is a software –based product that helps you to learn new languages. To install the Language Genius software program run SETUP.EXE from the following directory:

UTILITY\LANGUAGE GENIUS\ENGL\LANGUAGEGENIUS

PageABC

The PageABC application software enables you to create your very own home page. To install the PageABC, go to the directory \UTILITYPageABC, and then run SETUP.EXE to install the application software.

This concludes Chapter 4.