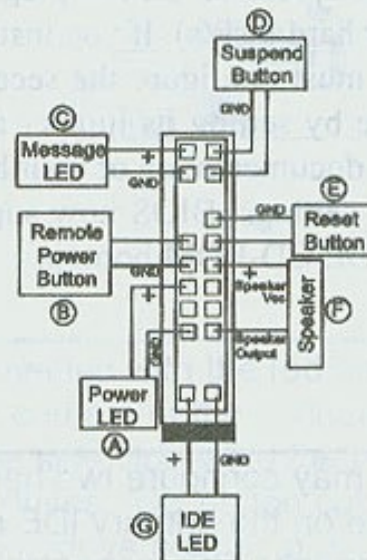
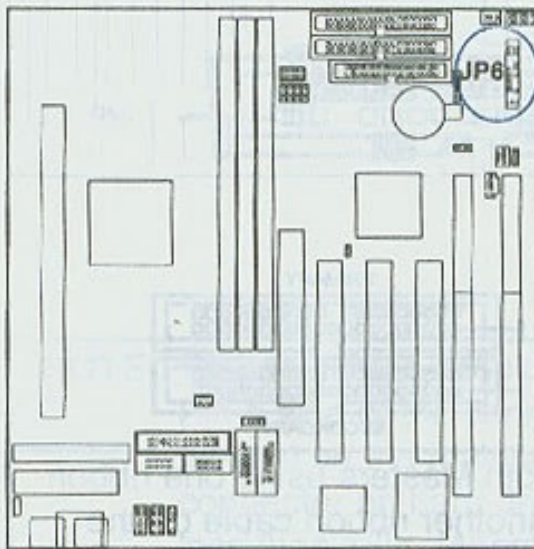


Front Panel Block Connector: JP6

This block connector includes the connectors for linking with IDE LED, power LED, remote power button, message LED, suspend button, reset button, and speaker on the front panel of the system case. Identify polarities of plug wires for the case speaker and LEDs. Ask your vendor for this information when you bought and plan to install the system by yourself.



Power LED (A): (2-pin male) The system power LED lights when the system is powered on.

Remote Power Button (B): (2-pin male) This connector is connected with the remote power (soft power) switch. If an ATX power supply is installed, pushing this switch will turn off and on the system power instead of the power switch on the power supply.

Message LED (C): (2-pin male) The message LED lights when the system is running normally.

Suspend Button (D): (2-pin male) Suspend mode switch allows user to manually place the system into a suspend mode or "green" mode where system activity will be instantly decreased to save electricity and expand the life of certain components when the system is not in use. This connector connects to the case-mounted suspend switch. Wake-up can be controlled by settings in the BIOS but the keyboard will always allow wake-up (the Suspend Button connector cannot wake-up the system).

Reset Button (E): (2-pin male) This connector connects to the case-mounted reset switch for rebooting the system without having to turn off power switch. This is a preferred method of rebooting in order to prolong the life of the system's power supply.

Speaker (F): (4-pin male) This connector connects with the case-mounted speaker.