

# TABLE OF CONTENT

---

---

## Chapter 1

Features of This Motherboard.....	1
-----------------------------------	---

## Chapter 2

Installation.....	3
2-1 Map of the Motherboard.....	3
2-2 Installation Steps.....	5
2-2-1 Jumper Settings.....	5
2-2-2 System Memory (DRAM).....	7
2-3 Central processing Unit (CPU).....	7
2-4 Expansion Cards.....	8
2-5 External Connectors.....	9

## Chapter 3

AWARD BIOS SETUP.....	16
3-1 STANDARD CMOS SETUP.....	17
3-2 BIOS FEATURES SETUP.....	18
3-3 CHIPSET FEATURES SETUP.....	22
3-4 POWER MANAGEMENT SETUP.....	23
3-4-1 The Description of the Power Management.....	24
3-4-2 Description of the Green Functions.....	24
3-5 PNP/PCI CONFIGURATION SETUP.....	25
3-6 LOAD BIOS DEFAULTS.....	27
3-7 LOAD SETUP DEFAULTS.....	27
3-8 INTEGRATED PERIPHERALS SETUP.....	28
3-9 SUPERVISOR/USER PASSWORD.....	30
3-10 IDE HDD AUTO DETECTION.....	31
3-11 SAVE & EXIT SETUP.....	33
3-12 EXIT WITHOUT SAVING.....	33
3-13 I/O & MEMORY MAP.....	33
3-14 TIME & DMA CHANNELS MAP.....	35
3-15 INTERRUPT MAP.....	35
3-16 RTC & CMOS RAM MAP.....	36
3-17 BIOS REFERENCE-POST CODES.....	37

---

---

# Chapter 1

## Features of This Motherboard

The **J-7XB** is designed for the PC user who wants a great many features in a small package. This motherboard:

- **Easy Installation:** Is equipped with BIOS supports auto detection of hard drives and plug and play to make setup of hard drives and expansion cards virtually automatic.
- **Intel chipset:** Intel's 440EX PCI/AGPset with I/O subsystems.
- **Multi-Speed Support:** Supports Intel Pentium® II processor from 233MHz to 333MHz on a Slot-1.
- **DRAM Memory Support:** Support 2x168-pin DIMMs (3.3V either EDO or SDRAM) of 16MB, 32MB, 64MB, 128MB, 256MB from a memory size between 16MB to 512MB.
- **AGP, ISA and PCI Expansion Slots:** Provides an AGP slot, two 16-bit ISA slots, and three 32-bit PCI slots.
- **Super Multi-I/O:** Provides two high-Speed UART compatible serial ports and one parallel port with EPP and ECP capabilities. Two floppy drives of either 5.25" or 3.5" (1.44MB or 2.88MB) are also supported without an external card.
- **PCI Bus Master IDE Controller and ULTRA DMA 33:** On-board PCI Bus Master IDE controller with two connectors that supports four IDE devices in two channels, provides faster data transfer rates, and supports Enhanced IDE devices such as Tape Backup, CD-ROM drives and LS-120. This controller also supports PIO Modes 3 and 4 and Bus Master IDE DMA 33Mbyte/Sec.
- **Bundle with "TRIONES" ULTRA DMA 33 Driver to improve IDE transfer rate for up to 33Mbyte/sec.**
- **ACPI supporting for OS Directed Power Management.**
  - Ring-In Wake up:** When Ring-In the system can wake up from SMI Mode.
  - Ring-In Power On:** When Ring-In the system can power on automatic by this function.
  - RTC Power On:** Enabled RTC Power On function, you can setting RTC alarm to power on the system at the time length you setting.
  - Power Button:** Press the button will place the system power on/off.
  - CPU fan auto-stopping when in suspend mode.**
  - Support Software Power Off function.**
- **Power Support:** Efficient PWM switching power instead of traditional Linear Voltage Regulator to prevent power component from being burned-out.
- **PC 97 ready**

- 
- 
- **PS/2 Mouse:** This motherboard support PS/2 mouse set.
  - **USB Port Connector:** This motherboard supports two USB port connectors for USB devices.
  - **AT Form Factor:** Dimensions 22cm x 22cm.
  - **Optional IrDA:** This motherboard supports an optional infrared port module for wireless interface, with independent 3rd UART (32-byte FIFO).
  - **Fans:** Support three Extra fan connectors to evacuate the heat from CPU, and the heat within the computer case.
  - **AGP:** Accelerated Graphics Port, for to 533MB/sec data transfer rate and 66MHz Bus clock to improve graphic functions.

# Chapter 2

## Installation

### 2-1 Map of the Motherboard

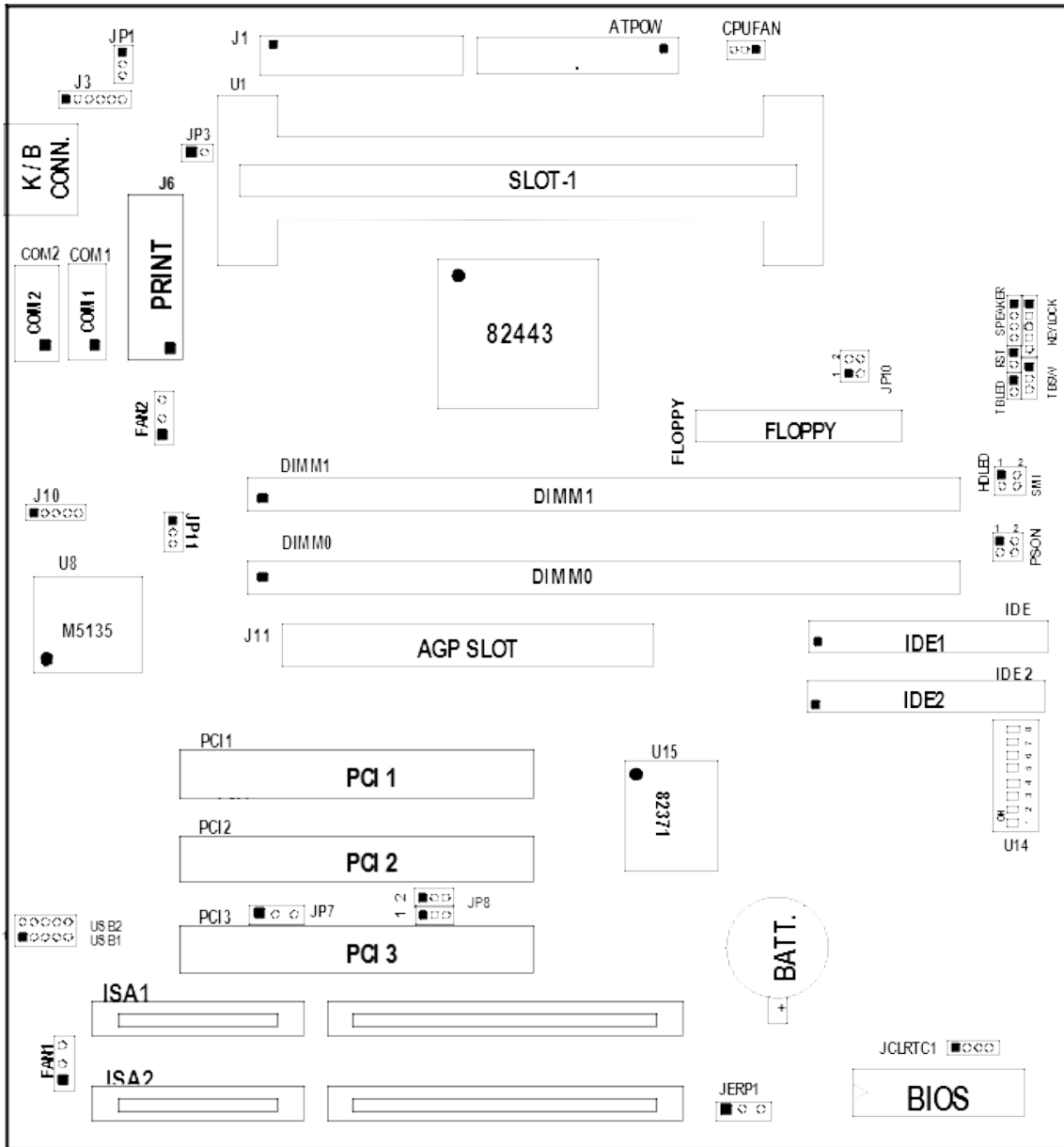


Figure 2-1

### Jumpers

- 
- 
- |            |   |
|------------|---|
| 1) U14     | p. 5 DIP Switch for CPU Type Selection                                  |
| 2) JCLRTC1 | p. 6 CMOS RAM (Normal/Clear CMOS Data) ( <b>Yellow color selector</b> ) |

### **Connectors**

- |                         |  |
|-------------------------|--|
| 1) J1                   | p. 9 ATX Power connector(20-pins Block)                    |
| 2) ATPOW                | p. 10 AT Power connector (12-pins Block)                   |
| 3) J4                   | p. 10 AT Keyboard connector                                |
| 4) J3                   | p. 11 PS/2 Mouse connector                                 |
| 5) J6                   | p. 11 Parallel Port connector (25-pins Female)             |
| 6) COM1, COM2           | p. 11 Serial Port COMA & COMB (9-pins Male)                |
| 7) FLOPPY               | p. 12 Floppy Driver connector (34-pins Block)              |
| 8) IDE1                 | p. 12 Primary IDE connector (40-pins Block)                |
| 9) IDE2                 | p. 12 Secondary IDE connector (40-pins Block)              |
| 10) TBLED               | p. 13 Turbo LED switch (3-pins)                            |
| 11) RST                 | p. 13 Reset Switch lead (2-pins)                           |
| 12) KEYLOCK             | p. 13 Keyboard Lock Switch (5-pins)                        |
| 13) SPEAKER             | p. 13 Speaker connector (4-pins)                           |
| 14) HDLED               | p. 13 IDE activity LED connector (4-pins)                  |
| 15) SMI                 | p. 14 SMI suspend Switch lead (4-pins)                     |
| 16) J10                 | p. 14 Infrared Module connector (5-pins)                   |
| 17) USB1 , UBS2         | p. 15 USB Port connector                                   |
| 18) CPUFAN,FAN1<br>FAN2 | p. 15 CPU Fan connector<br>Extra fanning system connectors |
| 19) PS-ON               | p. 15 Power-On Button connector                            |
| 20) JP8                 | p. 15 SB LINK connector                                    |

### **Expansion Slots**

- |               |   |
|---------------|---|
| 1) DIMM Slots | p. 7 DRAM Memory Expansion slots            |
| 2) Slot 1     | p. 7 Slot for Central Processing Unit (CPU) |
| 3) AGP Slot   | p. 8 AGP Expansion slot                     |
| 4) ISA 1,2    | p. 8 16-bit ISA Bus Expansion slots         |
| 5) PCI 1,2,3  | p. 8 32-bit PCI Bus Expansion slots         |

---

---

## 2-2 Installation Steps

Before using your computer, you must follow the steps as follows:

1. Set Jumpers on the Motherboard
2. Install the CPU
3. Install DRAM Modules
4. Install Expansion card
5. Connect Cables, Wires, and Power Supply
6. Setup the BIOS Software

### 2-2-1 Jumper Settings

#### 1. CPU TYPE Selection:

CPU TYPE Selection

CPU	U14	#1	#2	#3	#4	#5	#6	#7
Pentium II 233		ON	ON	OFF	OFF	OFF	OFF	OFF
Pentium II 266		ON	OFF	ON	ON	OFF	OFF	OFF
Pentium II 300		ON	OFF	OFF	ON	OFF	OFF	OFF
Pentium II 333		ON	OFF	ON	OFF	OFF	OFF	OFF

#### 2. DIP Switch for CPU Type Selection: U14

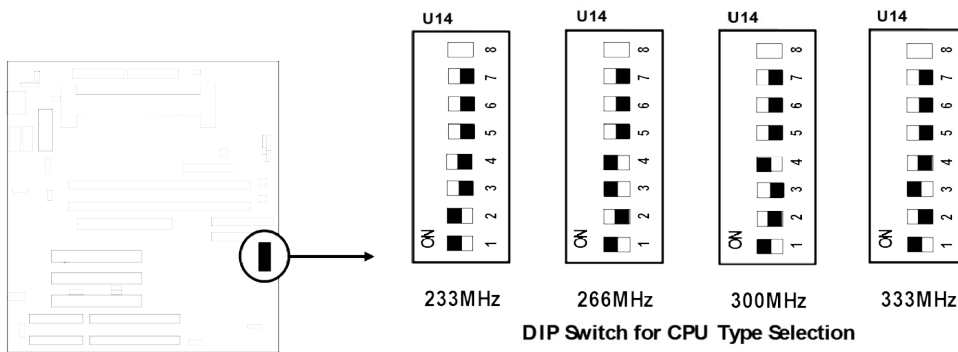
CPU Ration

U14	#1	#2	#3	#4
Ratio				
3X	ON	ON	ON	OFF
3.5X	ON	ON	OFF	OFF
4X	ON	OFF	ON	ON
4.5X	ON	OFF	OFF	ON
5X	ON	OFF	ON	OFF

BUS Frequency

U14	#5	#6	#7
Freq uency			
66.8M	OFF	OFF	OFF
68.5M	OFF	OFF	ON
75M	OFF	ON	OFF
83M	ON	OFF	ON

\* DIP Switch U14 #8 is don't care.

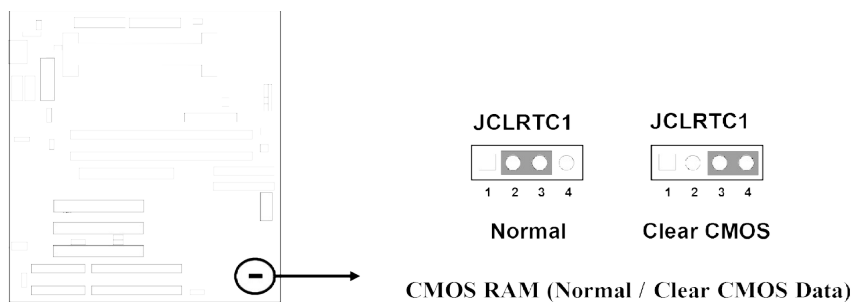


### 3. CMOS RAM: JCLRTC1 (Yellow color selector)

***WARNING: Make sure your computer is POWER OFF when you are CLEAR CMOS.***

Connect a jumper Cap over this jumper for a few seconds, will clears information stored in the CMOS RAM Chip that input by user, such as hard disk information and passwords. After CLEAR CMOS, you must enter the BIOS setup (by holding down <DEL> during power-up) to re-enter BIOS information (see BIOS SETUP).

<u>Selections</u>	<u>JCLRTC1</u>
Normal	2-3 (Default)
Clear CMOS	3-4 (momentarily)



## 2-2-2 System Memory (DRAM)

---

---

This motherboard support four 168-pin DIMM Module, using +3V unbuffer synchronous DRAM in either EDO or SDRAM with Max. memory size of 1GB.

<b>DIM0</b>	<b>DIM1</b>	<b>Total Memory Combination</b>
16MB	none	16MB
16MB	16MB	32MB
32MB	none	32MB
32MB	32MB	64MB
64MB	none	64MB
64MB	64MB	128MB
128MB	none	128MB
128MB	128MB	256MB
256MB	none	256MB
256MB	256MB	512MB

## 2-3 Central Processing Unit (CPU)

The motherboard provides a Slot-1 for Pentium II processor. The CPU on board must have a fan or heat sink attached to prevent overheating.

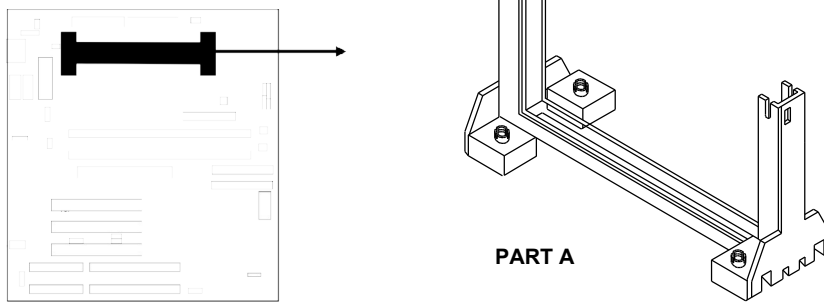
***WARNING: Without a fan or heat sink, the CPU will overheat and cause damage to both the CPU and the motherboard.***

To install a CPU, first turn off your system and remove its cover. Locate the Slot-1 and place RETENTION MODULE as following:

***IMPORTANT: You must set switch U14 for both “CPU to Bus frequency Ratio” and “Bus Frequency Selection” on [page 5](#) depending on the CPU that you install.***

- ① Attach heat sink to the CPU.
- ② Place Part A on slot-1 and gently screw four corners on top of the motherboard.





## 2-4 Expansion Cards

You must read the documentation come with expansion card for any hardware or software settings that may be required to setup your specific card.

### Installation Procedure:

1. Read the documentation from your expansion card.
2. Set any necessary jumpers on your expansion card.
3. Remove your computer's cover.
4. Remove the bracket on the slot you intend to use.
5. Carefully align the card's connectors and press firmly.
6. Secure the card on the slot with the screw you remove in step 4.
7. Replace the computer's cover.
8. Setup the BIOS if necessary.
9. Install the necessary software drivers for your expansion card.

### Assigning IRQs for Expansion Cards

Some expansion cards may require an IRQ to operate. Generally an IRQ must be exclusively assigned to only one device. In a standard design there are 16 IRQs available but most of them are occupied by the system and leaves 6 free for expansion cards.

Either AGP, ISA or PCI expansion cards may require an IRQs. System IRQs are available to cards installed in the ISA expansion first, and any remaining IRQs can be used by PCI cards. Currently, there are two types of ISA cards. An original ISA expansion card design, know as "Legacy" ISA cards, they request configure the card's jumpers manually and then install it in any available slot on the ISA bus, and other know as Plug and Play. You may use Microsoft's Diagnostic (MSD.EXE) utility included in the DOS directory to see a map of your used and any free IRQs. For Windows 95 users, the "Control Panel" icon in "My Computer", contains a "System" icon which gives you "Device Manager" tab.

---

---

Double clicking on a specific device give you “Resources” tab which shows the Interrupt number and address. Make sure that no any two of devices use the same IRQs, or your computer will experience problems when those two devices are in use at the same time.

To simplify this process the motherboard has complied with the Plug and Play (PNP) specification which was developed to allow automatic system configuration whenever a PNP-compliant card is added to the system. For PNP cards, IRQs are assigned automatically from those available.

If the system has both Legacy and PNP ISA cards installed, IRQs are assigned to PNP cards from those not used by Legacy cards. The PCI and PNP configuration of the BIOS setup utility can be used to indicate which IRQs are being used by Legacy cards. For older Legacy cards that does not work with the BIOS, you can contact your vendor for an ISA Configuration Utility.

An IRQ number is automatically assigned to PCI expansion cards after those used by Legacy and PNP ISA cards. In the PCI bus design, the BIOS automatically assigns an IRQ to a PCI. To install a PCI card, you need to set something called the INT (interrupt) assignment. Since all the PCI slots on this motherboard use an INTA #, be sure that the jumpers on your PCI cards are set to INT A.

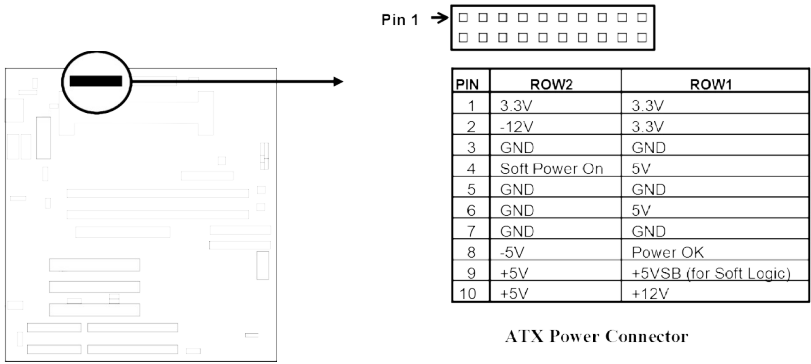
### **Assigning DMA Channels for ISA Cards**

Some ISA cards, both Legacy and PNP may also need to use a DMA (Direct Memory Access) channel. DMA assignments for this motherboard are handled the same way as the IRQ assignment process described above. You can select a DMA channel in the PCI and PNP configuration section of the BIOS Setup utility. In the BIOS setup, you should choose “Yes” for those IRQ’s and DMA’s you wish to reserve for Legacy cards.

## **2-5 External Connectors**

### **1. ATX Power Connector (20-pins block): J1**

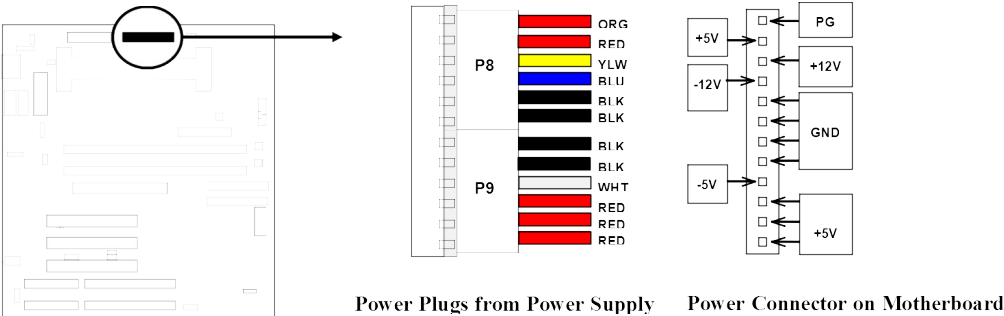
ATX Power Supply connector. This is a new defined 20-pins connector that usually comes with ATX case. The ATX Power Supply allows to use soft power on momentary switch that connect from the front panel switch to 2-pins Power On jumper pole on the motherboard. When the power switch on the back of the ATX power supply turned on, the full power will not come into the system board until the front panel switch is momentarily pressed. Press this switch again will turn off the power to the system board.



**2. Power connector: AT Power Connector (12-pins block): ATPOW**

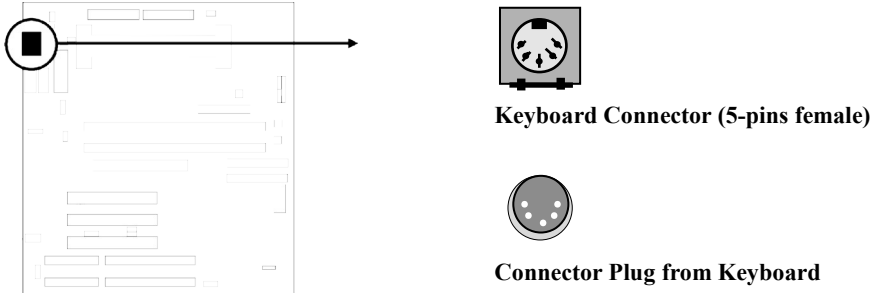
This connector connects to a standard 5 Volt power supply. To connect the leads from the power supply, ensure first that the power supply is not plugged. Most power supplies provide two plugs (P8 and P9), each containing six wires, two of which are black. Orient the connectors so that the black wires are located in the middle.

Using a slight angle, align the plastic guide pins on the lead to their receptacles on the connector. Once aligned, press the lead onto the connector until the lead locks into place.



**3. Keyboard Connector (5-pins female):J4**

This connection is for a standard IBM-compatible keyboard. May also be known as a 101 enhanced keyboard.

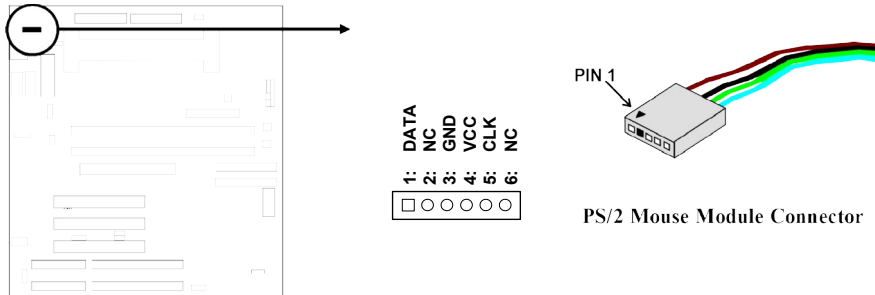


---

---

#### 4. PS/2 Mouse Connector (6-pins block):J3

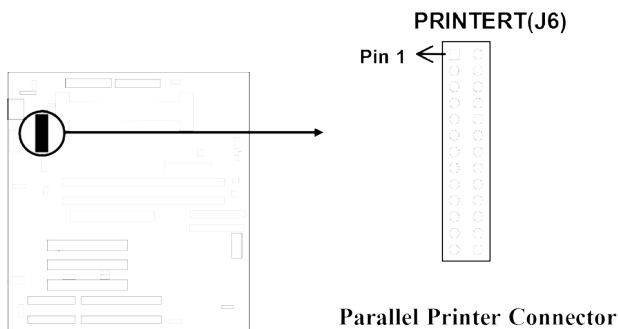
If you are using a PS/2 mouse, you must purchase an optional PS/2 mouse set which connects to the 6-pins block and mounts to an open slot on your computer's case.



#### 5. Parallel Printer Connector (26-pins block): PRINTER(J6)

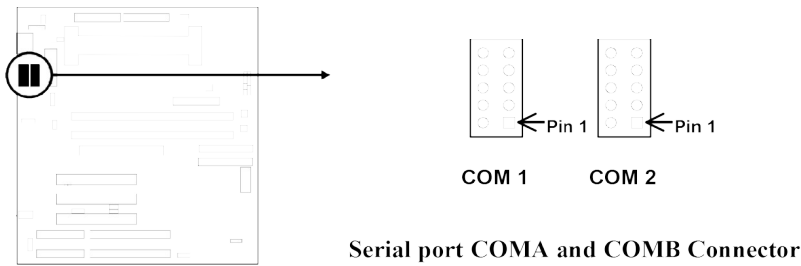
Connection for the included parallel port ribbon cable with mounting bracket. Connect the ribbon cable to this connection and mount the bracket to the case on an open slot. It will then be available for a parallel printer cable.

**NOTE:** *Serial printers must be connected to the serial port. You can enable the parallel port and choose the IRQ through BIOS Setup on "Onboard Parallel Port".*



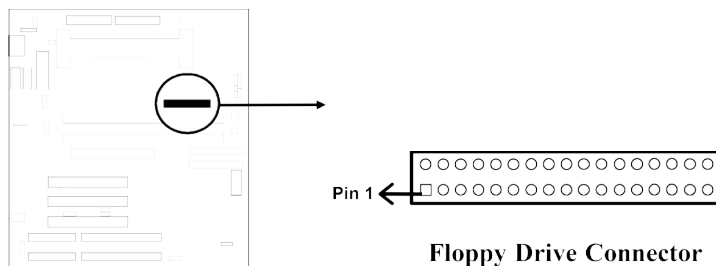
#### 6. Serial port COMA and COMB Connector (Two 10-pins blocks): COM1, COM2

These connectors support the provided serial port ribbon cables with mounting bracket. Connect the ribbon cables to these connectors and mount the bracket to the case on an open slot. The two serial ports on the mounting bracket will then be used for pointing devices or other serial devices. See [page 30](#) for BIOS configuration of "Onboard Serial Port"



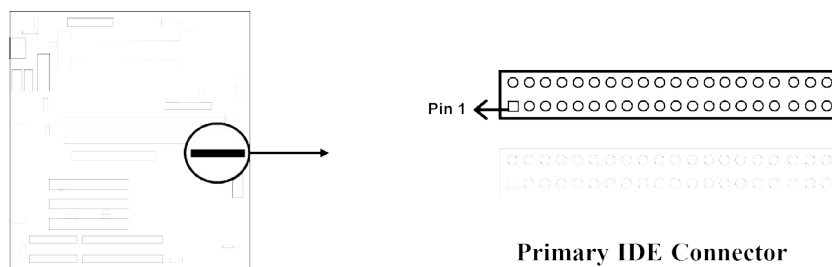
**7. Floppy drive Connector (34-pins block): FLOPPY**

This connector supports the provided floppy drive ribbon cable. After connecting the single plug end to motherboard, connect the two plugs at other end to the floppy drives.



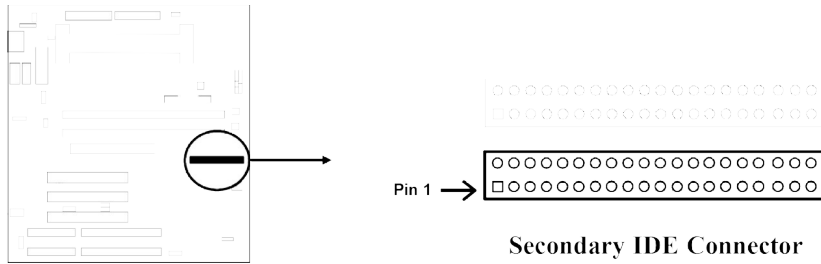
**8.. Primary IDE Connector (40-pins block): IDE1**

This connector supports the provided IDE hard disk ribbon cable. After connecting the single plug end to motherboard, connect the two plugs at other end to your hard disk(s). If you install two hard disks, you must configure the second drive to Slave mode by setting its jumpers accordingly. Please refer to the documentation of your hard disk for the jumper settings.



**9. Secondary IDE Connector (40-pin block): IDE2**

This connector connects to the next set of Master and Slave hard disks. Follow the same procedure described for the primary IDE connector. You may also configure two hard disks to be both Masters using one ribbon cable on the primary IDE connector and another ribbon cable on the secondary IDE connector.



**10. Turbo LED switch: TBLED**

The motherboard's turbo function is always on. The turbo LED will remain constantly lit while the system power is on. You may wish to connect the Power LED from the system case to this lead. See the figure on [page 15](#).

**11. Reset switch lead: RST**

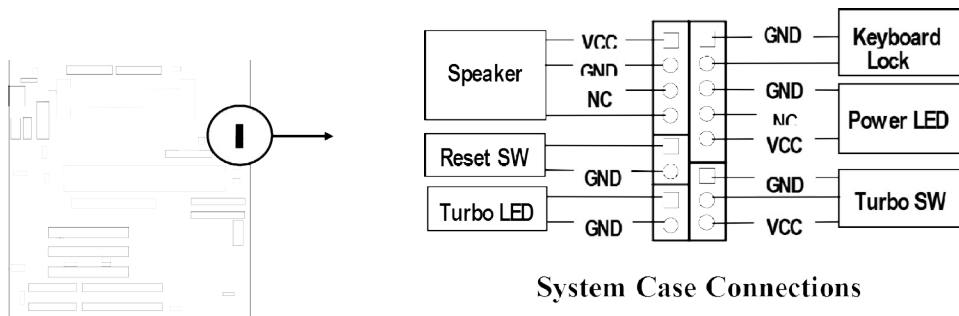
This 2-pin connector connects to the case-mounted reset switch for rebooting your computer without having to turn off your power switch. This is a preferred method of rebooting in order to prolong the life of the system's power supply. See the figure below.

**12. Keyboard lock switch lead: KEYLOCK**

This 5-pin connector connects to the case-mounted key switch for locking the keyboard for security purposes. See the figure below.

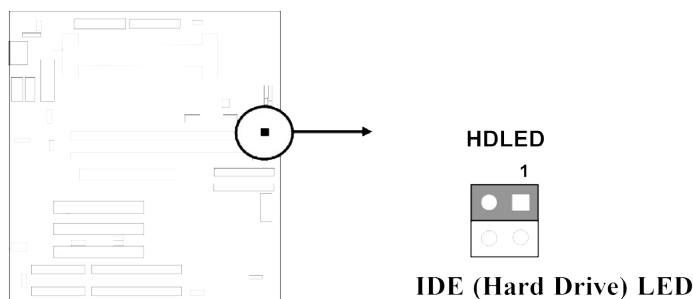
**13. Speaker connector: SPEAKER**

This 4-pin connector connects to the case-mounted speaker. See the figure below.



**14. IDE activity LED: HDLED**

This connector connects to the hard disk activity indicator light on the case.



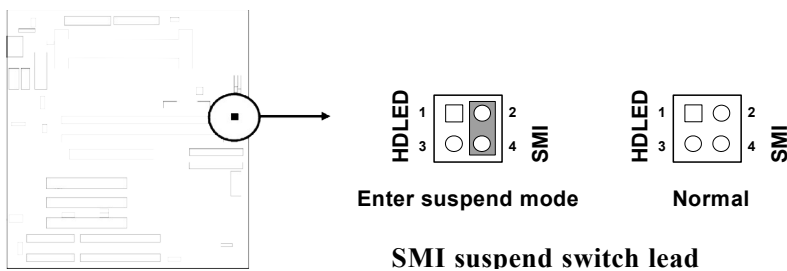
---

---

## 15. SMI suspend switch lead: SMI (JFRNT2 2&4)

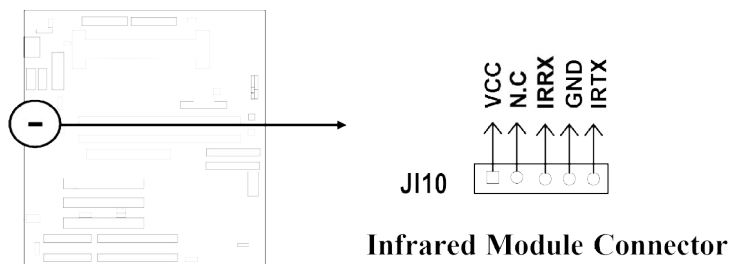
This allows the user to manually place the system into a suspend mode or “Green” mode where system activity will be instantly decreased to save electricity and expand the life of certain components when the system is not in use. This 4-pins connector (see the figure below) connects to the case-mounted suspend switch. If you do not have a switch for the connector, you may use the “Turbo Switch” since it does not have a function. SMI is activated when it detects a **short to open** moment and therefore leaving it shorted will not cause any problems. May require one or two pushes depending on the position of the switch. Wake-up can be controlled by settings in the BIOS but the keyboard will always allow wake-up (the SMI lead cannot wake-up the system). If you want to use this connector, “Suspend Switch” in the POWER MANAGEMENT SETUP of the BIOS software should be on the default setting of **Enable** (see [page 26](#)).

<u>Selections</u>	<u>SMI</u>
Enter suspend mode	2-4
Normal	open



## 16. IR infrared module connector: J10

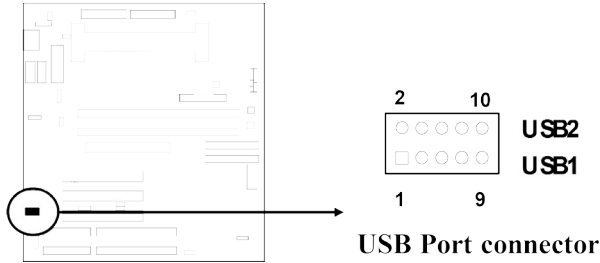
This connector supports the optional wireless transmitting and receiving infrared module. This module mounts to small opening on system cases that support this feature you must also configure the setting through BIOS setup. Use the four pins as shown on the Back View and connect a ribbon cable from the module to the motherboard according to the pin definitions.



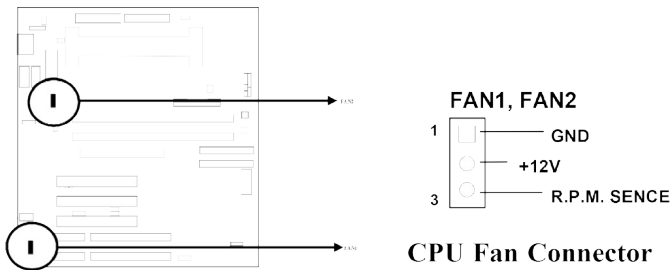
---

---

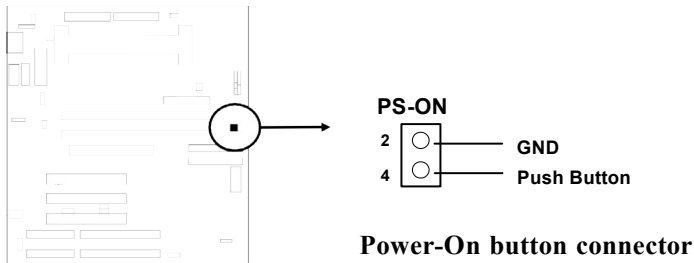
**17. USB Port connector: USB1,USB2**



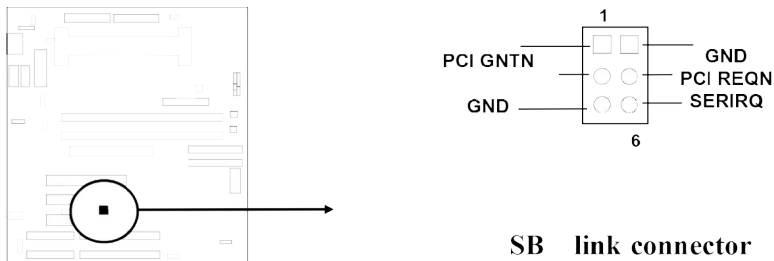
**18. CPU FAN connector: FAN1, FAN2**



**19. Power-On button connector: J7**



**20. SB- Link connector : JP8**



**Chapter 3**





Choose "**STANDARD CMOS SETUP**" in the CMOS SETUP UTILITY Menu (Figure 3-1). The STANDARD CMOS SETUP allows user to configure system setting such as current date and time, type of hard disk drive installed in the system, floppy drive type, and the type of display monitor. Memory size is auto-detected by the BIOS and displayed for your reference. When a field is highlighted (direction keys to move cursor and <Enter> key to select), the entries in the field will be changed by pressing <PgDn> or <PgUp> keys or user can enter new data directly from the keyboard.

### ROM PCI/ISA BIOS (2A69JJ19)

#### STANDARD CMOS SETUP AWARD SOFTWARE, INC.

Date (mm:dd:yy) : Wed, Sep, 10 1997	
Time (hh:mm:ss) : 10 : 33 : 52	
<b><u>HARD DISKS</u></b>	
<b>TYPE</b>	<b>SIZE CYLS HEAD PRECOMP LANDZ SECTOR MODE</b>
Primary Master : Auto	0 0 0 0 0 0 Auto
Primary Slave : Auto	0 0 0 0 0 0 Auto
Secondary Master : Auto	0 0 0 0 0 0 Auto
Secondary Slave : Auto	0 0 0 0 0 0 Auto
Drive A : 1.2M , 5.25 in.	Base Memory : 640K Extended Memory : 7168K Other Memory : 384K
Drive B : None	
Video : EGA/VGA	Total Memory : 8192K
Halt On : All Errors	
Esc : Quit	↑↓→← : Select Item Pu/Pd/+/- : Modify
F1 : Help	(Shift)F2: Change Color

Figure 3-2

**NOTE:** *If hard disk Primary Master/Slave and Secondary Master/Slave were used Auto, than the hard disk size and model will be auto-detect on display during POST.*

**NOTE:** *The "Halt On:" field is to determine when to halt the system by the BIOS is error occurred during POST.*

## 3-2 BIOS FEATURES SETUP

Select the **"BIOS FEATURES SETUP"** option in the CMOS SETUP UTILITY menu allows user to change system related parameters in the displayed menu. This menu shows all of the manufacturer's default values of this motherboard. Again, user can move the cursor by pressing direction keys and <PgDn> of <PgUp> keys to modify the parameters. Pressing [F1] key to display help message of the selected item.

This setup program also provide 2 convenient ways to load the default parameter data from BIOS [F6] or CMOS [F7] area if shown data is corrupted. This provides the system a capability to recover from any possible error.

**ROM PCI/ISA BIOS (2A69JJ19)**

**BIOS FEATURES SETUP  
AWARD SOFTWARE, INC.**

<b>Virus Warning</b> : Disabled <b>CPU Internal Cache</b> : Enabled <b>External Cache</b> : Enabled <b>Quick Power On Self Test</b> : Disabled <b>Boot Sequence</b> : A,C,SCSI <b>Swap Floppy Drive</b> : Disabled <b>Boot Up Floppy Seek</b> : Enabled <b>Boot Up Numlock Status</b> : On <b>Boot Up System Speed</b> : High <b>Gate A20 Option</b> : Fast <b>Typematic Rate Setting</b> : Disabled <b>Typematic Rate (Chars/Sec)</b> : 6 <b>Typematic Delay (Msec)</b> : 250 <b>Security Option</b> : Setup	<b>Video BIOS Shadow</b> : Enabled <b>C8000-CBFFF Shadow</b> : Disabled <b>CC000-CFFFF Shadow</b> : Disabled <b>D0000-D3FFF Shadow</b> : Disabled <b>D4000-D7FFF Shadow</b> : Disabled <b>D8000-DBFFF Shadow</b> : Disabled <b>DC000-DFFFF Shadow</b> : Disabled
<b>PCI/VGA Palette Snoop</b> : Disabled <b>OS Select For DRAM &gt; 64MB</b> : Non-OS2 <b>HDD S.M.A.R.T Capability</b> : Disabled	<b>Esc: Quit</b> ↑↓→← : Select Item <b>F1 : Help</b> Pu/Pd/+/-:Modify <b>F5 : Old Values</b> (Shift)F2 : Color <b>F6 : Load BIOS Defaults</b> <b>F7 : Load Setup Defaults</b>

**Figure 3-3**

**NOTE:** *The Security Option contains "setup" and "system". The "setup" indicates that the password setting is for CMOS only while the "system" indicates the password setting is for both CMOS and system boot up procedure.*

- **Virus Warning:** This category flashes on the screen. During and after the system boots up, any attempt to write to the boot sector or partition table of the hard disk drive will halt the system and the following error message will

---

---

appear, in the mean time, you can run an anti-virus program to locate the problem. Default value is Disabled

**Enabled:** Activates automatically when the system boots up causing a warning message to appear when anything attempts to access the boot sector or hard disk partition table.

**Disabled:** No warning message to appear when anything attempts to access the boot sector or hard disk partition table.

- **CPU Internal Cache / External Cache:** These two categories speed up memory access. However, it depends on CPU/chipset design. The default value is Enable. If your CPU without Internal Cache then this item "CPU Internal Cache" will not be show.

**Enabled:** Enable cachehis category speeds up Power On Self Test. (POST) after you power on the computer.

**Disabled:** Disable cache

- **Quick Power On Self Test:** If it is set to Enable, BIOS will shorten or skip some check items during POST.

**Enabled:** Enable quick POST

**Disabled:** Normal POST

- **Boot Sequence:** This category determines which drive computer searches first for the DOS (Disk Operating System). Default value is A,C,SCSI. System will first search for floppy disk drive, then hard disk drive and then SCSI device. The options are: C, A, SCSI; C, CDROM, A; CDROM, C, A; D, A, SCSI; E, A, SCSI; F, A, SCSI; SCSI, A, C; SCSI, C, A; C only; LS/ZIP, C.

- **Swap Floppy Drive:** The swap floppy drive. Default value is Disabled.

**Enabled:** Floppy A & B will be swapped under the DOS

**Disabled:** Floppy A & B will be not swap

- **Boot Up Floppy Seek:** During POST, BIOS will determine if the floppy disk drive installed is 40 or 80 tracks. 360K type is 40 tracks while 760K, 1.2M and 1.44M are all 80 tracks. The default value is Enabled.

**Enabled:** BIOS searches for floppy disk drive to determine if it is 40 or 80 tracks.

Note that BIOS can not tell from 720K, 1.2M or 1.44M drive type as they are all 80 tracks.

**Disabled:** BIOS will not search for the type of floppy disk drive by track number.

Note that there will not be any warning message if the drive installed is 360K.

- 
- 
- **Boot Up NumLock Status:** The default value is On.  
**On:** Keypad is number keys.  
**Off:** Keypad is arrow keys.
  - **Boot UP System Speed:** It selects the default system speed-the speed that the system will run at immediately after power up.  
**High:** Set the speed to high.  
**Low:** Set the speed to low.

**NOTE:** The board default value is *LOW* in the field. Boot the system to controller turbo or De-turbo by Onboard (Turbo Switch).

- **Gate A20 Option:** The default value is Fast.  
**Normal:** The A20 signal is controlled by keyboard controller or chipset hardware.  
**Fast:** Default: Fast. The A20 signal is controlled by Port 92 or chipset specific method.
- **Typematic Rate Setting:** This determines the typematic rate.  
**Enabled:** Enable typematic rate and typematic delay programming.  
**Disabled:** Disable typematic rate and typematic delay programming. The system BIOS will use default value of this 2 items and the default is controlled by keyboard.
- **Typematic Rate (Chars/Sec):**

6 : 6 characters per second	8 : 8 characters per second
10 : 10 characters per second	12 : 12 characters per second
15 : 15 characters per second	20 : 20 characters per second
24 : 24 characters per second	30 : 30 characters per second
- **Typematic Delay (Msec):** When holding a key, the time between the first and second character displayed.

250 : 250 msec
500 : 500 msec
750 : 750 msec
1000 : 1000 msec
- **Security Option:** This category allows you to limit access to the system and Setup, or just to Setup. The default value is Setup.  
**System:** The system will not boot and access to Setup will be denied if the correct password is not entered at the prompt.

---

---

**Setup:** The system will boot, but access to Setup will be denied if the incorrect password is entered at the prompt.

**NOTE:** *To disable security, select **PASSWORD SETTING** at Main Menu and then you will be asked to enter password. Do not type anything and just press <Enter>, it will disable security. Once the security is disabled, the system will boot and you can enter Setup freely.*

- **Video BIOS Shadow:** It determines whether video BIOS will be copied to RAM, however, it is optional from chipset design. Video Shadow will increase the video speed.

**Enabled:** Video shadow is enabled

**Disabled:** Video shadow is disabled

- C8000 - CBFFF Shadow:  
CC000 - CFFFF Shadow:  
D0000 - D3FFF Shadow:  
D4000 - D7FFF Shadow:  
D8000 - DBFFF Shadow:  
DC000 - DFFFF Shadow:

These categories determine whether optional ROM will be copied to RAM by 16K byte or 32K byte per/unit and the size depends on chipset.

**Enabled:** Optional shadow is enabled.

**Disabled:** Optional shadow is disabled.

### 3-3 CHIPSET FEATURES SETUP

Choose the "CHIPSET FEATURES SETUP" in the CMOS SETUP UTILITY menu to display following menu.

---

---

ROM PCI/ISA BIOS (2A69JJ19)

CHIPSET FEATURES SETUP  
AWARD SOFTWARE, INC.

Auto Configuration : Enabled DRAM Speed Selection : 60 ns MA Wait State : Slow EDO RAS# To CAS# Delay : 3 EDO RAS# Precharge Time : 3 EDO DRAM Read Burst : x333 EDO DRAM Write Burst : x222 DRAM Data Integrity Mode : Non-ECC CPU-To-PCI IDE Posting : Enabled System BIOS Cacheable : Enabled Video BIOS Cacheable : Enabled 8 Bit I/O Recovery Time : 1 16 Bit I/O Recovery Time : 1 Memory Hole At 15M-16M : Disabled Passive Release : Enabled Delayed Transaction : Disabled AGP Aperture Size(MB) : 64 SDRAM RAS-to-CAS Delay : Slow SDRAM RAS Precharge Time : Slow	Esc: Quit    ↑↓ → ← : Select Item F1 : Help    Pu/Pd/+/-:Modify F5 : Old Values (Shift)F2 : Color F6 : Load BIOS Defaults F7 : Load Setup Defaults
--	--

Figure 3-4

- **DRAM Timing:** The default value is 60ns.  
**60ns** : 2 (faster) Burst Wait State, for 60~70ns Fast Page Mode/EDO DRAM.  
**70ns** : 3 (slower) Burst Wait State, for 70ns Fast Page Mode/EDO DRAM.
- **Video BIOS Cacheable:** The default value is Enabled.  
**Enabled:** This field Enabled the Video BIOS Cacheable to speed up to VGA Performance.  
**Disabled:** Disabled the Video BIOS Cacheable function.
- **8/16 Bit I/O Recovery Time:** The default value is 1.  
**8 Bit I/O Recovery Time:** This field defines the recovery time from 1 to 8 for 8-bit I/O.  
**16 Bit I/O Recovery Time:** To define the recovery time from 1 to 4 for 16-bit I/O.
- **Memory Hole At 15M~16M:**The default value is Disabled.  
**Disabled:** Normal Setting.

**Enabled:** This field enabled the main memory (15~16MB) remap to ISA BUS.

### 3-4 POWER MANAGEMENT SETUP

Choose the "**POWER MANAGEMENT SETUP**" in the CMOS SETUP UTILITY to display the following screen. This menu allows user to modify the power management parameters and IRQ signals. In general, these parameters should not be changed unless it's absolutely necessary.

ROM PCI/ISA BIOS (2A69JJ19)

**POWER MANAGEMENT SETUP**  
**AWARD SOFTWARE, INC.**

<p><b>Power Management</b> : Disabled  <b>PM Control by APM</b> : Yes  <b>Video Off Method</b> : V/H SYNC+Blank</p> <p><b>Video Off After</b> : Stand by  <b>MODEM Use IRQ</b> : 3</p> <p><b>Doze Mode</b> : Disabled  <b>Standby Mode</b> : Disabled  <b>Suspend Mode</b> : Disabled  <b>HDD Power Down</b> : Disabled</p> <p><b>Throttle Duty Cycle</b> : 62.5%  <b>ZZ Active in Suspend</b> : Disabled  <b>VGA Active Monitor</b> : Enabled  <b>Soft-Off by PWR-BTTN</b> : Instant-Off  <b>CPUFAN Off In Suspend</b> : Enabled  <b>Resume by Ring</b> : Disabled</p> <p><b>IRQ 8 Break Suspend</b> : Disabled</p>	<p><b>** Reload Global Timer Events **</b>  <b>IRQ [3-7, 9-15], NMI</b> : Enabled  <b>Primary IDE 0</b> : Disabled  <b>Primary IDE 1</b> : Disabled  <b>Secondary IDE 0</b> : Disabled  <b>Secondary IDE 1</b> : Disabled  <b>Floppy Disk</b> : Disabled  <b>Serial Port</b> : Enabled  <b>Parallel Port</b> : Disabled</p>
<p><b>Esc: Quit</b>    ↑↓→← : <b>Select Item</b>  <b>F1 : Help</b>        Pu/Pd/+/-: <b>Modify</b>  <b>F5 : Old Values</b> (Shift)<b>F2 : Color</b>  <b>F6 : Load BIOS Defaults</b>  <b>F7 : Load Setup Defaults</b></p>	

Figure 3-6

Again, user can move the cursor by pressing direction keys to the field need to be modified and press <PgDn> or <PgUp> to alter item selection. You can only change the content of Doze Mode, Standby Mode, and Suspend Mode when the Power Management is set to 'User Define'.

#### 3-4-1 The Description of the Power Management

- Power Management mode selection:



- 
- 
- Disabled:** The system operates in NORMAL conditions (Non-GREEN), and the Power Management function is disabled.
  - Max.saving:** This mode will maximize the power saving capability.
  - Min.saving:** This mode will minimize the power saving capability.
  - User define:** Allow user to define timeout parameters to control power saving timing. Refer item shown below:

- **Timeout parameters:**

#### **HDD Standby**

HDD Standby timer can be set from 1 to 15 minute(s).

#### **System Doze**

The "System Doze" mode timer starts to count when there is no "PM events" occurred. The valid timeout setting is from 1 minute up to 1 hour.

#### **System Standby**

The "Standby" mode timer starts to count when "System Doze" mode timer timed out and no "PM events" occurred. Valid range is from 1 minute up to 1 hour.

#### **System Suspend**

This function works only when the Pentium CPU is installed. The timer starts to count when "System Standby" mode timer timed out and no "PM Events" occurred. Valid range is from 1 minute up to 1 hour.

### **3-4-2 Description of the Green Functions**

This motherboard supports HDD Power Down, Doze and standby power saving functions when Intel Pentium Processor CPU is installed. The suspend function is also supported when the SMI switch is short (ref. [page 13](#)). The detail description of these functions are provided as following:

#### **HDD Standby Mode**

When system stop reading or writing HDD, the timer starts to count. The system will cut off the HDD power when timer ran out of time. The system will not resume operation until either a read from or a write to HDD command is executed again.

#### **Doze Mode**

The system hardware will drop down CPU clock from normal working speed when Doze mode timeout occurred.

#### **Standby Mode**

---

---

When the system standby mode timer ran out, it will enter the standby mode and retain CPU at slow working speed. The screen will be blanked out.

### **Suspend Mode**

When the system suspend timer time out, the system will enter the suspend mode and the chipset will stop CPU clock immediately. The power consumption in Suspend Mode is lower than in standby mode. The screen is also blanked out.

### **PM Events:**

AWARD BIOS defines 15 PM Events in the power management mode (Doze, standby & suspend). The user can initial any PM Events to be "Enable" or "Disable". When the system detects all of the enabled events do not have any activity, it will start the system Doze timer first if the "Power Management" isn't "Disabled". Once the system Doze timer timed out, it will process doze power saving procedure by starting the system standby timer. When the standby timer ran out and all of the "Enabled" events remains silent, the system will enter the standby mode. By now, the system will not only process the standby power saving procedures but also start the system suspend timer. When the suspend timer time out, all of the CPU clock will be stopped by dropping system clock down to zero and remains this way until any one of the "Enabled" event occurred.

## **3-5 PNP/PCI CONFIGURATION SETUP**

This "PNP and PCI configuration Setup" option configures the PCI bus slots. All PCI bus slots on the system use INTA#, thus all installed PCI cards must be set to this value.

**AWARD SOFTWARE, INC.**

<p><b>PNP OS Installed : No</b>  <b>Resources Controlled By : Manual</b>  <b>Reset Configuration Data: Disabled</b></p> <p><b>IRQ-3 assigned to : Legacy ISA</b>  <b>IRQ-4 assigned to : Legacy ISA</b>  <b>IRQ-5 assigned to : PCI/ISA PnP</b>  <b>IRQ-7 assigned to : PCI/ISA PnP</b>  <b>IRQ-9 assigned to : PCI/ISA PnP</b>  <b>IRQ-10 assigned to : PCI/ISA PnP</b>  <b>IRQ-11 assigned to : PCI/ISA PnP</b>  <b>IRQ-12 assigned to : PCI/ISA PnP</b>  <b>IRQ-14 assigned to : PCI/ISA PnP</b>  <b>IRQ-15 assigned to : PCI/ISA PnP</b>  <b>DMA-0 assigned to : PCI/ISA PnP</b>  <b>DMA-1 assigned to : PCI/ISA PnP</b>  <b>DMA-3 assigned to : PCI/ISA PnP</b>  <b>DMA-5 assigned to : PCI/ISA PnP</b>  <b>DMA-6 assigned to : PCI/ISA PnP</b>  <b>DMA-7 assigned to : PCI/ISA PnP</b></p>	<p><b>PCI IDE IRQ Map To : PCI-AUTO</b>  <b>Primary IDE INT# : A</b>  <b>Secondary IDE INT# : B</b>  <b>Used MEM Base Addr : N/A</b></p> <hr/> <p><b>Esc: Quit    ↑↓ → ← : Select Item</b>  <b>F1 : Help    Pu/Pd/+/-:Modify</b>  <b>F5 : Old Values (Shift)F2 : Color</b>  <b>F6 : Load BIOS Defaults</b>  <b>F7 : Load Setup Defaults</b></p>
--	---

**Figure 3-7**

**IRQxx assigned to**

These fields indicate whether or not the displayed IRQ for each field is being used by a Legacy (non-PnP) ISA card. Two options are available: "PCI/ISA PnP" and "Legacy ISA". The first option the default value, indicates either that the displayed IRQ is not used or an PCI/ISA PnP is being used to determine if an ISA card is using that IRQ. Second option is for Legacy ISA card that requires a unique IRQ, and you are not using an PCI/ISA PnP, you must set the field for that IRQ to Legacy ISA.

For example: If you install a Legacy ISA card that requires IRQ10 lets say, then set "IRQ10 assigned to Legacy ISA".

**DMAxx assigned to**

These fields indicate whether or not the displayed DMA channel for each field is being used by a Legacy (non-PnP) ISA card. Available options include: "PCI/ISA PnP" and "Legacy ISA". When is option "PCI/ISA PnP" indicates either that the displayed DMA channel is not used or an PCI/ISA PnP being used to determine if an ISA card is using that channel. If you install a Legacy ISA card that requires a unique DMA channel, and you are not using an PCI/ISA PnP, you must set the field for that channel to "Legacy ISA".

**3-6 LOAD BIOS DEFAULTS**

The "**LOAD BIOS DEFAULTS**" function loads the system default data directly from ROM and initialize associated hardware properly. This function will be necessary only when the system CMOS data is corrupted.

ROM PCI/ISA BIOS (2A6JJ19)

**CMOS SETUP UTILITY**  
**AWARD SOFTWARE, INC.**

STANDARD CMOS SETUP	INTEGRATED PERIPHERALS
BIOS FEATURES SETUP	SUPERVISOR PASSWORD
CHIPSET FEATURES SETUP	USER PASSWORD
POWER MANAGEMENT SETUP	<b>Load BIOS Default (Y/N)? Y</b>
PNP/PCI CONFIGURATION	
LOAD BIOS DEFAULTS	SAVE & EXIT SETUP
LOAD SETUP DEFAULTS	EXIT WITHOUT SAVING
Esc : QUIT                      ↑↓→← : Select Item	
F10 : Save & Exit Setup      (Shift) F2 : Change Color	
Time, Date, Hard Disk Type...	

Figure 3-8

### 3-7 LOAD SETUP DEFAULTS

The "**LOAD SETUP DEFAULTS**" function loads the system default data directly from ROM and initialize associated hardware properly. This function will be necessary only when the system CMOS data is corrupted.

ROM PCI/ISA BIOS (2A69JJ19)

**CMOS SETUP UTILITY**  
**AWARD SOFTWARE, INC.**

STANDARD CMOS SETUP	INTEGRATED PERIPHERALS
BIOS FEATURES SETUP	SUPERVISOR PASSWORD
CHIPSET FEATURES SETUP	USER PASSWORD
POWER MANAGEMENT SETUP	IDE HDD AUTO DETECTION
PNP/PCI CONFIGURATION	<b>Load SETUP Default (Y/N)? Y</b>
LOAD BIOS DEFAULTS	
LOAD SETUP DEFAULTS	EXIT WITHOUT SAVING
Esc : QUIT                      ↑↓→← : Select Item	
F10 : Save & Exit Setup      (Shift) F2 : Change Color	
Time, Date, Hard Disk Type...	

Figure 3-9



- 
- 
- **IDE Secondary Master PIO:** The default value is Auto.
    - Auto:** BIOS will automatically detect the Onboard Secondary Master PCI IDE HDD Accessing mode.
    - Mode0~4:** Manually set the IDE Accessing mode.
  - **IDE Secondary Slave PIO:** The default value is  
    - Auto:** BIOS will automatically detect the Onboard Secondary Slave PCI IDE HDD Accessing mode.
    - Mode0~4:** Manually set the IDE Accessing mode.
  - **Onboard Primary PCI IDE:** The default value is Enabled.
    - Enabled:** Enable Onboard 1 st channel IDE port.
    - Disabled:** Disable Onboard 1 st channel IDE port. When use On-card (PCI or ISA card) IDE connector.
  - **Onboard Secondary PCI IDE:** The default value is Enabled.
    - Enabled:** Enable Onboard 2 nd channel IDE port.
    - Disabled:** Disable Onboard 2 nd channel IDE port. When use On-card (PCI or ISA card) IDE connector.
  - **PCI Slot IDE 2nd Channel:** The default value is Enabled.
    - Enabled:** Enable secondary IDE port and BIOS will assign IRQ15 for this port.
    - Disabled:** Disable secondary IDE port and IRQ15 is available for other device.
  - **Onboard FDC Controller:** The default value Enabled.
    - Enabled:** Enable the Onboard floppy drive interface controller.
    - Disabled:** Disable the Onboard floppy drive interface controller. When use On-card ISA FDC's controller.
  - **Onboard Serial Port 1:** This field allows the user to select the serial port. The default value is COM1.
    - COM1:** Enable Onboard Serial port 1 and address is 3F8H.
    - COM2:** Enable Onboard Serial port 1 and address is 2F8H.
    - COM3:** Enable Onboard Serial port 1 and address is 3E8H.
    - COM4:** Enable Onboard Serial port 1 and address is 2E8H.
    - Disabled:** Disable Onboard CHIP's Serial port 1.
  - **Onboard Serial port 2:** This field allows the user to select the serial port. The default value is COM2.
    - COM1:** Enable Onboard Serial port 2 and address is 3F8H.
    - COM2:** Enable Onboard Serial port 2 and address is 2F8H.
    - COM3:** Enable Onboard Serial port 2 and address is 3E8H.

---

---

**COM4:** Enable Onboard Serial port 2 and address is 2E8H.

**Disabled:** Disable Onboard CHIP's Serial port 2.

- **Onboard Parallel port:** This field allows the user to select the LPT port. The default value is 378H.

**378H:** Enable Onboard LPT port and address is 378H.

**278H:** Enable Onboard LPT port and address is 278H.

**3BCH:** Enable Onboard LPT port and address is 3BCH.

**Disabled:** Disable Onboard CHIP's LPT port.

<p><b>NOTE:</b> <i>Parallel Port address is 378H/3BCH that selects the routing of IRQ7 for LPT1.</i> <i>Parallel Port address is 278H that selects the routing of IRQ5 LPT1.</i></p>
--

- **Onboard Parallel port Mode:** This field allows the user to select the parallel port mode. The default value is ECP + EPP.

**Normal:** Standard mode. IBM PC/AT Compatible bidirectional parallel port.

**EPP:** Enhanced Parallel Port mode.

**ECP:** Extended Capabilities Port mode.

**EPP+ECP:** ECP Mode & EPP Mode.

- **Power On Function:** This field allow the user to select Power On method by button, password or hot-key.

**Button Only:** Power On by press the button only.

**Password:** Allow Power On by enter password correct by only.

**Hot-Key:** Allow Power On by enter special defined hot-key only.

## 3-9 SUPERVISOR/USER PASSWORD

This item lets you configure the system so that a password is required each time the system boots or an attempt is made to enter the Setup program (Refer to Figure 3-3 for the details). Supervisor Password allows you to change all CMOS settings but the User Password setting doesn't have this function. The way to set up the passwords for both Supervisor and User are as follow:

1. Choose either Supervisor Password or User Password in the Main Menu and press <Enter>. The following message appears:

**“Enter Password:”**

2. The first time you run this option, enter your password up to only 8 characters and press <Enter>. The screen does not display the entered characters. For no password just press <Enter>.

- After you enter the password, the following message appears prompting you to confirm the password:

**“Confirm Password:”**

- Enter exact the same password you just typed again to confirm the password and press <Enter>.
- Move the cursor to Save & Exit Setup to save the password.
- If you need to delete the password you entered before, choose the Supervisor Password and Press <Enter>. It will delete the password that you had before.
- Move the cursor to Save & Exit Setup to save the option you did, otherwise the old password will still be there when you turn on your machine next time.

### 3-10 IDE HDD AUTO DETECTION

The "IDE HDD AUTO DETECTION" utility is a very useful tool especially when you do not know which kind of hard disk type you are using. You can use this utility to detect the correct disk type and install in the system automatically. Also you can set HARD DISK TYPE to "Auto" in the STANDARD CMOS SETUP to have same result. The BIOS will Auto-detect the hard disk size and model on display during POST.

ROM PCI/ISA BIOS (2A69JJ19)  
 STANDARD CMOS SETUP  
 AWARD SOFTWARE, INC.

Date (mm:dd:yy) : Wed, Sep, 10 1997																									
Time (hh:mm:ss) : 10 : 33 : 52																									
<u>HARD DISKS    TYPE   SIZE   CYLS   HEAD   PRECOMP   LANDZ   SECTOR   MODE</u>																									
Primary Master :																									
Primary Slave :																									
Secondary Master :																									
Sec																									
<table border="1" style="width: 100%; border-collapse: collapse; background-color: #e0e0e0;"> <tr> <td colspan="8" style="text-align: center;">Select Secondary Slave Option (N=Skip):N</td> </tr> <tr> <td colspan="8" style="text-align: center;"><u>OPTIONS   SIZE   CYLS   HEAD   PRECOMP   LANDZ   SECTOR   MODE</u></td> </tr> <tr> <td style="text-align: center;">1 (Y)</td> <td style="text-align: center;">0</td> <td style="text-align: center;">0</td> <td style="text-align: center;">0</td> <td style="text-align: center;">0</td> <td style="text-align: center;">0</td> <td style="text-align: center;">0</td> <td style="text-align: center;">NORMAL</td> </tr> </table>		Select Secondary Slave Option (N=Skip):N								<u>OPTIONS   SIZE   CYLS   HEAD   PRECOMP   LANDZ   SECTOR   MODE</u>								1 (Y)	0	0	0	0	0	0	NORMAL
Select Secondary Slave Option (N=Skip):N																									
<u>OPTIONS   SIZE   CYLS   HEAD   PRECOMP   LANDZ   SECTOR   MODE</u>																									
1 (Y)	0	0	0	0	0	0	NORMAL																		
Esc : Quit	↑↓→← : Select Item    Pu/Pd/+/- : Modify																								
F1 : Help	(Shift)F2: Change Color																								

Figure 3-11

*NOTE: HDD Modes*



---

---

*The Award BIOS supports 3 HDD modes : NORMAL, LBA & LARGE*

**NORMAL mode**

Generic access mode in which neither the BIOS nor the IDE controller will make any transformations during accessing.

The maximum number of cylinders, head & sectors for NORMAL mode are 1024, 16 & 63.

$$\begin{array}{r} \text{no. Cylinder} \quad (1024) \\ \times \text{ no. Head} \quad (16) \\ \times \text{ no. Sector} \quad (63) \\ \hline \times \text{ no. per sector} \quad (512) \\ \hline 528 \text{ Megabytes} \end{array}$$

If user set this HDD to NORMAL mode, the maximum accessible HDD size will be 528 Megabytes even though its physical size may be greater than that!

**LBA (Logical Block Addressing) mode**

A new HDD accessing method to overcome the 528 Megabyte bottleneck. The number of cylinders, heads & sectors shown in setup may not be the number physically contained in the HDD.

During HDD accessing, the IDE controller will transform the logical address described by sector, head & cylinder into its own physical address inside the HDD.

The maximum HDD size supported by LBA mode is 8.4 Gigabytes which is obtained by the following formula:

$$\begin{array}{r} \text{no. Cylinder} \quad (1024) \\ \times \text{ no. Head} \quad (255) \\ \times \text{ no. Sector} \quad (63) \\ \hline \times \text{ bytes per sector} \quad (512) \\ \hline 8.4 \text{ Gigabytes} \end{array}$$

**LARGE mode**

Extended HDD access mode supported by Award Software.

Some IDE HDDs contain more than 1024 cylinder without LBA support (in some cases, user do not want LBA). The Award BIOS provides another alternative to support these kinds of LARGE mode:

<u>CYLS.</u>	<u>HEAD</u>	<u>SECTOR</u>	<u>MODE</u>
1120	16	59	NORMAL
560	32	59	LARGE

BIOS tricks DOS (or other OS) that the number of cylinders is less than 1024 by dividing it by 2. At the same time, the number of heads is multiplied by 2.

---

---

Reverse transformation process will be made inside INT 12h in order to access the right HDD address the right HDD address!

Maximum HDD size:

$$\begin{aligned} & \text{no. Cylinder} \quad (1024) \\ & \times \text{ no. Head} \quad (32) \\ & \times \text{ no. Sector} \quad (63) \\ & \underline{\times \text{ bytes per sector} \quad (512)} \\ & \qquad \qquad \qquad 1 \text{ Gigabytes} \end{aligned}$$

**NOTE:**

*To support LBA or LARGE mode of HDDs, there must be some softwares involved. All these softwares are located in the Award HDD Service Routine (INT 13h). It may be failed to access a HDD with LBA (LARGE) mode selected if you are running under a Operating System which replaces the whole INT 13h.*

*UNIX operating systems do not support either LBA or LARGE and must set to the Standard mode. UNIX can support drives larger than 528MB.*

### **3-11 SAVE & EXIT SETUP**

The "SAVE & EXIT SETUP" option will bring you back to boot up procedure with all the changes you just made which are recorded in the CMOS RAM.

### **3-12 EXIT WITHOUT SAVING**

The "EXIT WITHOUT SAVING" option will bring you back to normal boot up procedure without saving any data into CMOS RAM. All of the old data in the CMOS will not be destroyed.

### **3-13 I/O & MEMORY MAP**

#### MEMORY MAP

Address Range	Size	Description
00000-7FFFF	512K	Conventional memory
80000-9FBFF	127K	Extended Conventional memory

9FC00-9FFFF	1K	Extended BIOS data area if PS/2 mouse is installed
A0000-C7FFF	160K	Available for Hi DOS memory
C8000-DFFFF	96K	Available for Hi DOS memory and adapter ROMs
E0000-EEFFF	60K	Available for UMB
EF000-EFFFF	4K	Video service routine for Monochrome & CGA adapter
F0000-F7FFF	32K	BIOS CMOS setup utility
F8000-FCFFF	20K	BIOS runtime service routine (2)
FD000-FDFFF	4K	Plug and Play ESCD data area
FE000-FFFFF	8K	BIOS runtime service routine (1)

## I/O MAP

000-01F	DMA controller (Master)
020-021	INTERRUPT CONTROLLER (Master)
022-023	CHIPSET control registers. I/O ports
040-05F	TIMER control registers
060-06F	KEYBOARD interface controller (8042)
070-07F	RTC ports & CMOS I/O ports
080-09F	DMA register
0A0-0BF	INTERRUPT controller (Slave)
0C0-0DF	DMA controller (Slave)
0F0-0FF	MATH COPROCESSOR
1F0-1F8	HARD DISK controller
278-27F	PARALLEL port 2
2B0-2DF	GRAPHICS adapter controller
2F8-2FF	SERIAL port 2
360-36F	NETWORK ports

---



---

378-37F	PARALLEL port 1
3B0-3BF	MONOCHROME & PARALLEL port adapter
3C0-3CF	EGA adapter
3D0-CDF	CGA adapter
3F0-3F7	FLOPPY DISK controller
3F8-3FF	SERIAL port-1

### 3-14 TIME & DMA CHANNELS MAP

**TIME MAP:**           TIMER Channel 0 System timer interrupt  
 TIMER Channel 1 DRAM REFRESH request  
 TIMER Channel 2 SPEAKER tone generator

**DMA CHANNELS:** DMA Channel 0 Available  
 DMA Channel 1 Onboard ECP (Option)  
 DMA Channel 2 FLOPPY DISK (SMC CHIP)  
 DMA Channel 3 Onboard ECP (Default)  
 DMA Channel 4 Cascade for DMA controller 1  
 DMA Channel 5 Available  
 DMA Channel 6 Available  
 DMA Channel 7 Available

### 3-15 INTERRUPT MAP

**NMI:**                   Parity check error

**IRQ (H/W):**           0 System TIMER interrupt from TIMER 0  
 1 KEYBOARD output buffer full  
 2 Cascade for IRQ 8-15  
 3 SERIAL port 2  
 4 SERIAL port 1  
 5 PARALLEL port 2  
 6 FLOPPY DISK (SMC CHIP)  
 7 PARALLEL port 1

- 
- 
- 8 RTC clock
  - 9 Available
  - 10 Available
  - 11 Available
  - 12 PS/2 Mouse
  - 13 MATH coprocessor
  - 14 Onboard HARD DISK (IDE1) channel
  - 15 Onboard HARD DISK (IDE2) channel

### 3-16 RTC & CMOS RAM MAP

<b>RTC &amp; CMOS:</b>	00	Seconds
	01	Second alarm
	02	Minutes
	03	Minutes alarm
	04	Hours
	05	Hours alarm
	06	Day of week
	07	Day of month
	08	Month
	09	Year
	0A	Status register A
	0B	Status register B
	0C	Status register C
	0D	Status register D
	0E	Diagnostic status byte
	0F	Shutdown byte
	10	FLOPPY DISK drive type byte
	11	Reserve
	12	HARD DISK type byte
	13	Reserve
	14	Equipment type
	15	Base memory low byte
	16	Base memory high byte
	17	Extension memory low byte
	18	Extension memory high byte
	19-2d	
	2E-2F	
	30	Reserved for extension memory low byte

---



---

31 Reserved for extension memory high byte  
32 DATE CENTURY byte  
33 INFORMATION FLAG  
34-3F Reserve  
40-7F Reserved for CHIPSET SETTING DATA

### 3-17 BIOS REFERENCE-POST CODES

ISA PORT codes are typically output to port address 80h.

Post	Name	Description
CO	Turn Off Chipset Cache	OEM Specific-Cache controller.
1	Processor Test 1	Processor Status (1 FLAGS) Verification. Tests the following processor status flags carry, zero, sign, overflow. The BIOS will set each of these flags, verify they are set, then turn each flag off and verify it is off.
2	Processor Test 2	Read/ Write/ Verify all CPU registers except SS, SP, and BP with data pattern FF and OO.
3	Initialize Chips	Disable NMI, PIE, AIE, UEI, SOWV. Disable video, parity checking, DMA. Reset math coprocessor. Clear all page registers, CMOS shutdown byte. Initialize timer 0, 1, and 2, including set EISA timer to a known state. Initialize DMA Controllers 0 and 1. Initialize interrupt controllers 0 and 1. Initialize EISA extended registers.
4	Test Memory Refresh Toggle	RAM must be periodically refreshed in order to keep the memory from decaying. This function assures that the memory refresh function is working properly.
5	Blank video, Initialize keyboard	Keyboard controller initialization.
6	Reserved	
7	Test CMOS Interface and Battery Status	Verifies CMOS is working correctly, detects bad battery.
BE	Chipset Default Initialization	Program chipset registers with power on BIOS defaults.

C1	Memory presence test	OEM Specific-Test to size on-board memory.
C5	Early Shadow	OEM Specific-Early Shadow enable for fast boot.
C6	Cache presence test	External cache size detection.
8	Setup low memory	Early chip set initialization. Memory presence test. OEM chip set routines. Clear low 64K of memory. Test first 64K memory.
9	Early Cache Initialization	Cyrix CPU initialization. Cache initialization.
A	Setup Interrupt Vector Table	Initialization first 120 interrupt vectors with SPURIOUS_INT_HDLR and initialize INT 00h-1Fh according to INT_TBL
B	Test CMOS RAM Checksum	Test CMOS RAM Checksum, if bad, or insert key pressed, load defaults.
C	Initialize keyboard	Detect type of keyboard controller (optional) Set NUM_LOCK status.
D	Initialize Video Interface	Detect CPU clock. Read CMOS location 14h to find out type of video in use. Detect and Initialize Video Adapter.
E	Test Video Memory	Test video memory, write sign-on message to screen. Setup shadow RAM.Enable shadow according to Setup.
F	Test DMA Controller 0	BIOS checksum test. Keyboard detect and initialization.
10	Test DMA Controller 1	
11	Test DMA Page Registers	Test DMA Page Registers.
12-13	Reserved	
14	Test Timer Counter 2	Test 8254 Timer 0 Counter 2.
15	Test 8259-1 Mask Bits	Verify 8259 Channel 1 masked interrupts by alternately turning off and on the interrupt lines.
16	Test 8259-2 Mask Bits	Verify 8259 Channel 2 masked interrupts by alternately turning off and on the interrupt lines.
17	Test Stuck 8259's	Turn off interrupts then verify no interrupt mask

	Interrupt Bits	register is on.
18	Test 8259 Interrupt Functionality	Force an interrupt and verify the interrupt occurred.
19	Test Stuck NMI Bits (Parity I/O Check)	Verify NMI can be cleared.
1A		Display CPU clock.
1B-1E	Reserved	
1F	Set EISA Mode	If EISA non-volatile memory checksum is good, execute EISA initialization. If not, execute ISA tests and clear EISA mode flag. Test EISA Configuration Memory Integrity (checksum & communication interface).
20	Enable Slot 0	Initialization slot 0 (System Board).
21-2F	Enable Slot 1-15	Initialize slot 1 through 15.
30	Size Base and Extended Memory	Size base memory from 256K to 640K and extended memory above 1MB.
31	Test Base and Extended Memory	Test base memory from 256K to 640K and extended memory above 1MB using various patterns. NOTE: This will be skipped in EISA mode and can be "skipped" with ESC key in ISA mode.
32	Test EISA Extended Memory	If EISA Mode flag is set then test EISA memory found in slots initialization. NOTE: This will be skipped in ISA mode and can be "skipped" with ESC key in EISA mode.
33-3B	Reserved	
3C	Setup Enabled	
3D	Initialize & install Mouse	Detect if mouse is present, initialize mouse, install interrupt vectors.
3E	Setup Cache Controller	Initialize cache controller.
3F	Reserved	
BF	Chipset Initialization	Program chipset registers with Setup values
40		Display virus protest disable or enable.
41	Initialize Floppy Drive & Controller	Initialize floppy disk drive controller and drives.
42	Initialize Hard Drive & controller	Initialize hard drive controller and any drives.
43	Detect & Initialize Serial/Parallel Ports	Initialize any serial and parallel ports (also game port).
44	Reserved	
45	Detect & Initialize	Initialize math coprocessor.



	Math Coprocessor	
46	Reserved	
47	Reserved	
48-4D	Reserved	
4E	Manufacturing POST Loop or Display Messages	Reboot if Manufacturing POST Loop pin is set. Otherwise display any messages (i.e., any non-fatal errors that were detected during POST) and enter Setup.
4F	Security Check	Ask password security (optional).
50	Write CMOS	Write all CMOS values back to RAM and clear screen.
51	Pre-boot Enable	Enable parity checker. Enable NMI, Enable cache before boot.
52	Initialize Option ROMs	Initialize any option ROMs present from C8000h to EFFFFh. NOTE: When FSCAN option is enabled, will initialize from C8000h to F7FFFh.
53	Initialize Time Value	Initialize time value in 40h:BIOS area.
60	Setup Virus Protect	Setup virus protect according to Setup.
61	Set Boot Speed	Set system speed for boot.
62	Setup Num Lock	Setup Num Lock status according to Setup.
63	Boot Attempt	Set low stack. Boot via INT 19h.
B0	Spurious	If interrupt occurs in protected mode.
B1	Unclaimed NMI	If unmasked NMI occurs, display. Press F1 to disable NMI, F2 reboot.
E1-EF	Setup Pages	E1-Page 1, E2-Page 2, etc.
FF	Boot	

