

Intel® Q965 LGA775 Core™ 2 Extreme / Core™ 2 Quad/ Core™ 2 Duo / Core™ Duo Micro ATX Main Board

Startup Manual

Packing List

Before you begin installing your single board, please make sure that the following parts have been shipped.

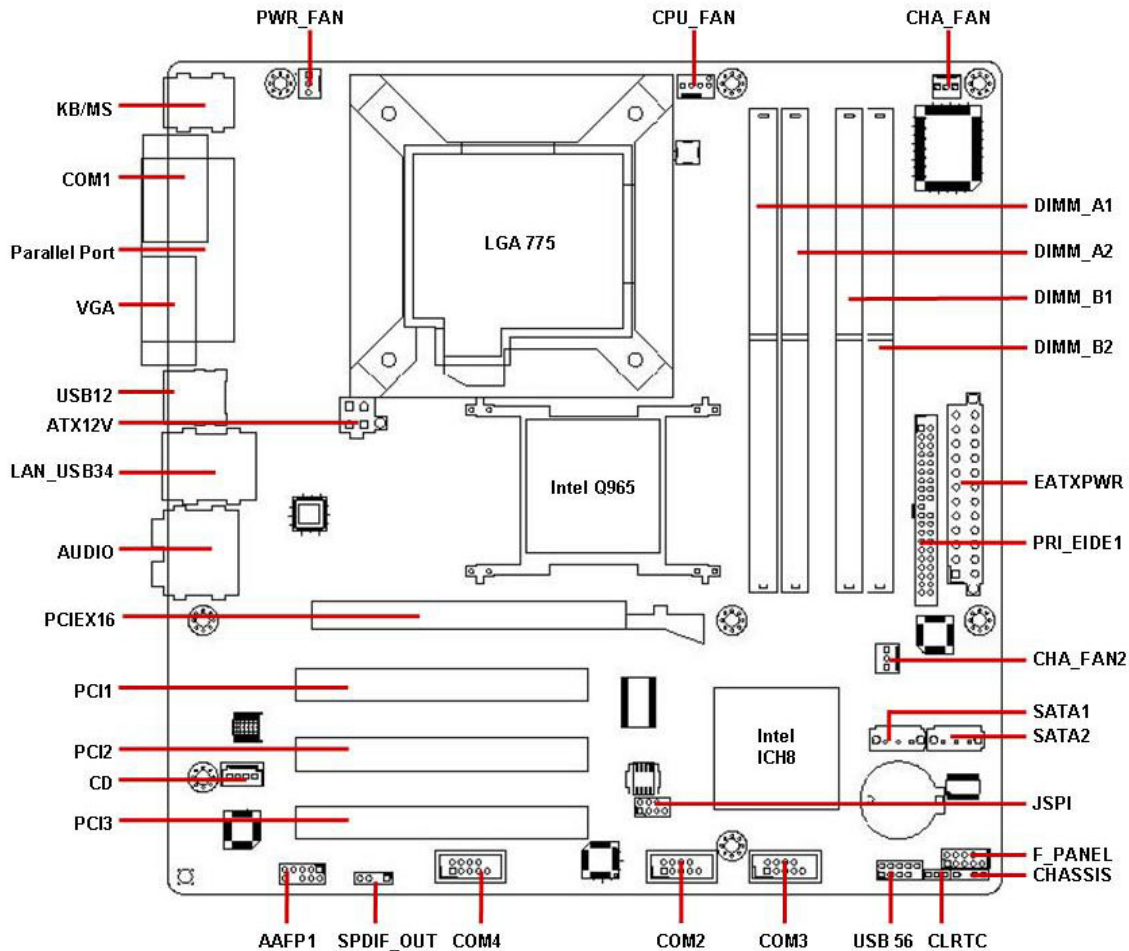
- 1 x Intel Q965 Micro ATX Main board
- 1 x CD-ROM contains the followings:
 - User's Manual in PDF file
 - Drivers
- 1 x 2-in-1 FD/ATA cable
- 3 x COM cable (9-pin, 260mm)
- 2 x SATA cable
- 1 x Startup Manual

Disclaimer and Notice



The manufacturer reserves the right to make changes, without notice, to any product, including circuits and/or software described or contained in this manual in order to improve design and/or performance. The manufacturer assumes no responsibility or liability for the use of the described product(s), conveys no license or title under any patent, copyright, or masks work rights to these products, and makes no representations or warranties that these products are free from patent, copyright, or mask work right infringement, unless otherwise specified. For the detail product information, please refer to user's manual.

Product Overview



Specifications

System

CPU	Supports Intel LGA775 Core 2 Extreme / Core 2 Quad / Core 2 Duo / Core Duo / Pentium 4 / Celeron D with 65nm process technology
FSB	1066/800/533 MHz
BIOS	Award 16 Mb SPI BIOS
System Chipset	Intel 82Q965 GMCH/ICH8
I/O Chipset	Winbond W83627DHG-A
Memory	Four 240-pin DIMM sockets support up to 8 GB Dual Channel DDR2 800/667/533 SDRAM
Watchdog Timer	Reset: 1 sec.~255 min. and 1 sec. or 1 min./step
H/W Status Monitor	Monitoring CPU temperature, voltage, and cooling fan status. Auto throttling control when CPU overheats
Expansion Slots	One PCI Express X16, Three PCI slots (PCI Rev. 2.2 compliant)
S3	S3 Support
Smart Fan Control	Yes

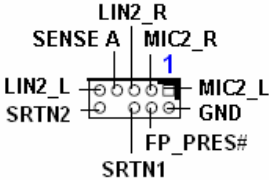
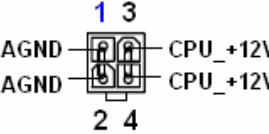
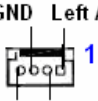
I/O

MIO	1 x EIDE (Ultra DMA 133/100/66/33), 1 x LPT, 6 x SATA/SATAII 1 x FDD, 4 x RS-232, 1 x K/B, 1 x Mouse
USB	6 x USB 2.0 ports
Display	
Chipset	Intel 82Q965 GMCH integrated Graphics Media Accelerator 3000
Display Memory	Intel DVMT 4.0 supports 256 MB video memory
Resolution	2048 x 1536 @ 32 bpp (85 Hz)
External VGA Interface	PCI-E X16 VGA interface
HDMI	Through ADD2 HDMI Card
LVDS	Through ADD2 LVDS Card
DVI / Onboard DVI Chips	Through ADD2 DVI Card
Secondary VGA	Through ADD2 VGA Card
Audio	
AC97 Codec	Realtek ALC888 7.1 Ch. + 2 Ch. High Definition Audio Codec
Audio Interface	Mic. in, Line in, CD Audio, Line out, 6-CH (6 jacks)
Ethernet	
LAN1	Realtek RTL8111B Gigabit LAN

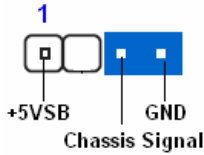
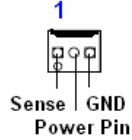
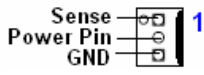
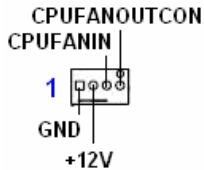
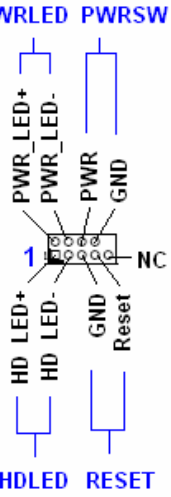
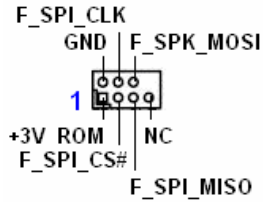
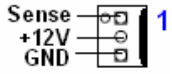
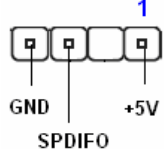
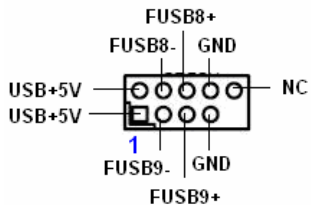
Jumpers

Label	Function	Note
CMOS	Clear CMOS	<p>Normal * Clear CMOS</p>  

Connectors

Label	Function	Note
AAPF1	Front Panel Audio Connector	
ATX12V	ATX Power Connector	
CD	Optical Driver Audio Connector	

Connectors

Label	Function	Note
CHASSIS	Chassis Intrusion Connector	 <p>1</p> <p>+5VSB Chassis Signal GND</p>
CHA_FAN	Chassis Fan Connector	 <p>1</p> <p>Sense GND Power Pin</p>
CHA_FAN2	Chassis Fan 2 Connector	 <p>1</p> <p>Sense Power Pin GND</p>
CPU_FAN	CPU Fan Connector	 <p>CPUFANOUTCON CPUFANIN</p> <p>1</p> <p>GND +12V</p>
F_PANEL	System Panel Connector	 <p>PWR_LED+ PWR_LED- PWR GND</p> <p>1 NC</p> <p>HD LED+ HD LED- GND Reset</p> <p>HDLED RESET</p>
JSPI1	SPI Flash Card Connector	 <p>F_SPI_CLK GND F_SPK_MOSI</p> <p>1</p> <p>+3V ROM NC F_SPI_CS# F_SPI_MISO</p>
PWR_FAN	Power Fan Connector	 <p>1</p> <p>Sense +12V GND</p>
SPDIF_OUT	Digital Audio Connector	 <p>1</p> <p>GND +5V</p> <p>SPDIF0</p>
USB56	USB 2.0 Connector	 <p>FUSB8+ FUSB8- GND</p> <p>USB+5V USB+5V NC</p> <p>1</p> <p>FUSB9- GND FUSB9+</p>