

# IPM41-D3

## Motherboard layout reference

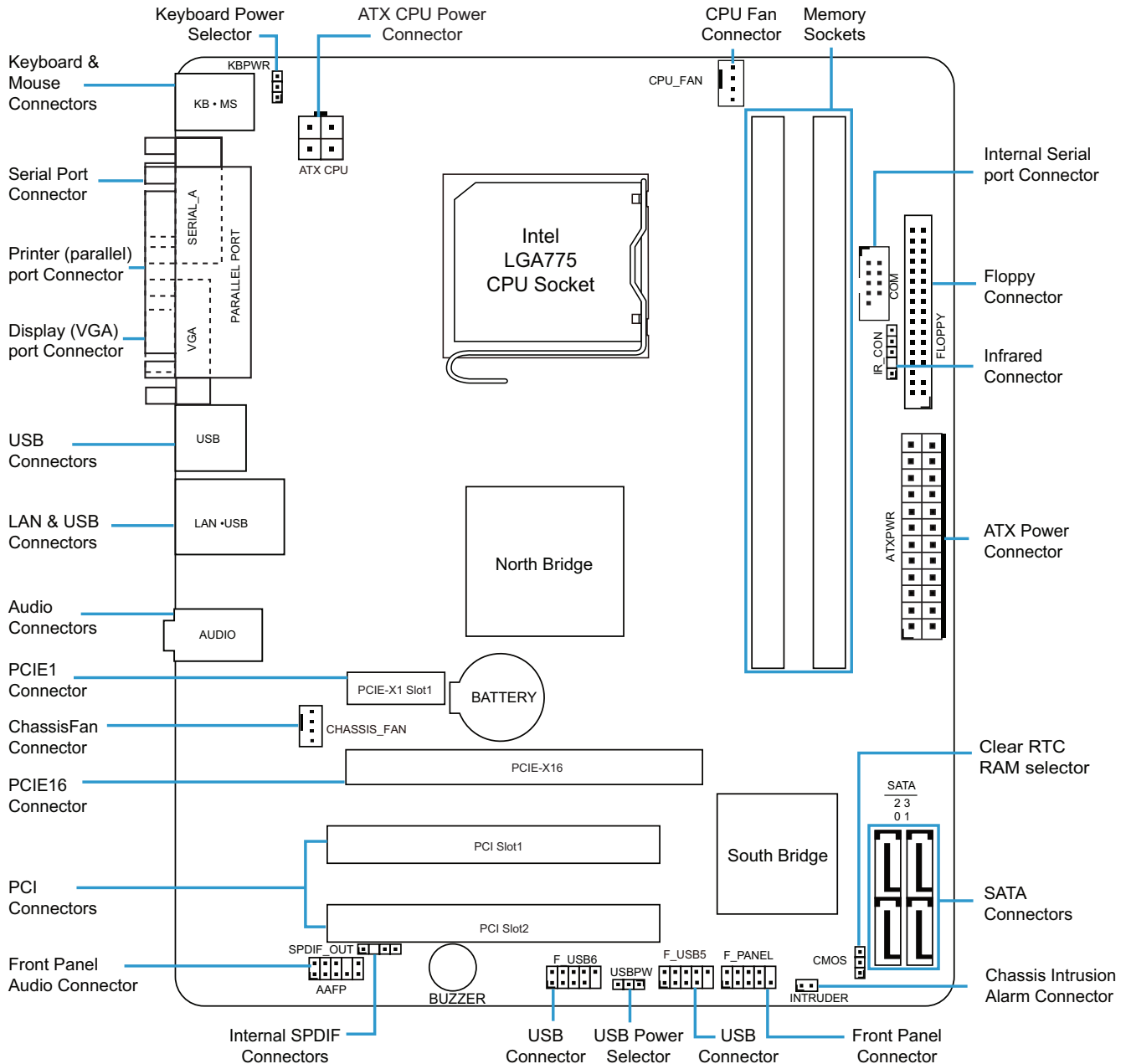
### Contents

- Specifications summary
- Motherboard layout
- Rear panel connectors
- Internal connectors

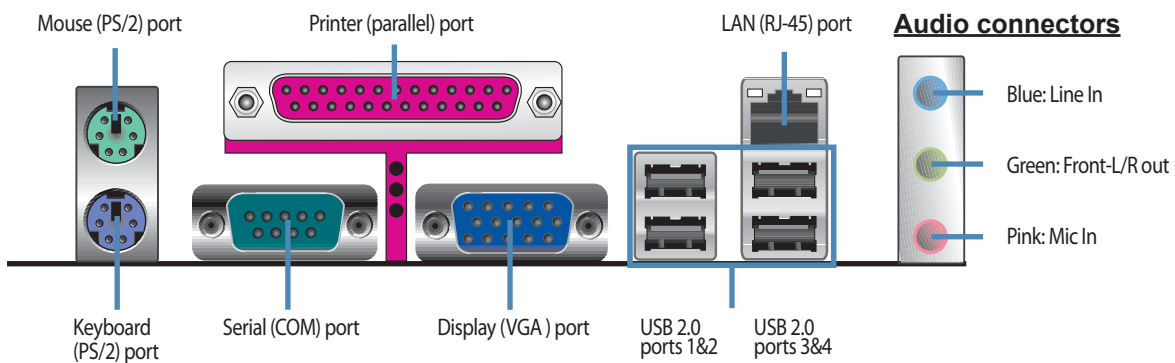
## Specifications summary

<b>CPU</b>	<b>Socket</b> : Intel Socket 775 <b>Supports</b> : Yorkfield/Wolfdale/Conroe/Conroe-L <b>FSB</b> : 800/1066/1333 MHz
<b>Chipset</b>	<b>North Bridge</b> : Intel G41 <b>South Bridge</b> : Intel ICH7
<b>Memory</b>	2 slots, Non-ECC, Unbuffered, 2-ch DDR3, Max. 4GB <b>Types</b> : 800/PC3-6400 & 1066/PC3-8500
<b>Expansion slots</b>	1x PCI Express Graphic slot (x16) 1x PCI Express slot (x1) 2x PCI slots
<b>Audio</b>	Realtek Azalia CODEC (6-channel)
<b>LAN</b>	Gigabit Realtek RTL8111DL (PCI-E)
<b>Graphic</b>	Integrated Graphic in North Bridge
<b>Storage/RAID</b>	ICH7 built-in: 4x SATA 300
<b>USB</b>	8x USB 2.0 ports (4 at mid-board, 4 at rear panel), 12/480Mbps
<b>Rear panel I/O ports</b>	1x PS/2 Keyboard port + 1x PS/2 Mouse port 1x LPT parallel port + 1x Com port + 1x VGA port 1x LAN port + 2x USB ports 2x USB ports 3x Audio out ports (6-channel)
<b>Internal connectors</b>	1x Front panel 1x Front panel Audio 2x USB 2.0, 4 ports 1x Internal serial Port (COM) 4x SATA 1x SPDIF audio 1x Chassis intrusion alarm 1x Infrared
<b>Power connectors</b>	1x ATX power 1x ATX CPU power 1x CPU fan 1x Chassis fan
<b>BIOS</b>	SPI 8Mb (AMI)
<b>Form factor</b>	uATX form factor 9.6 inches x 7.8 inches

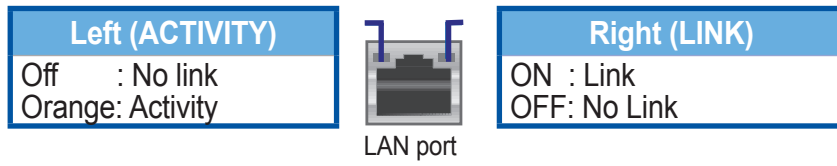
# Motherboard layout



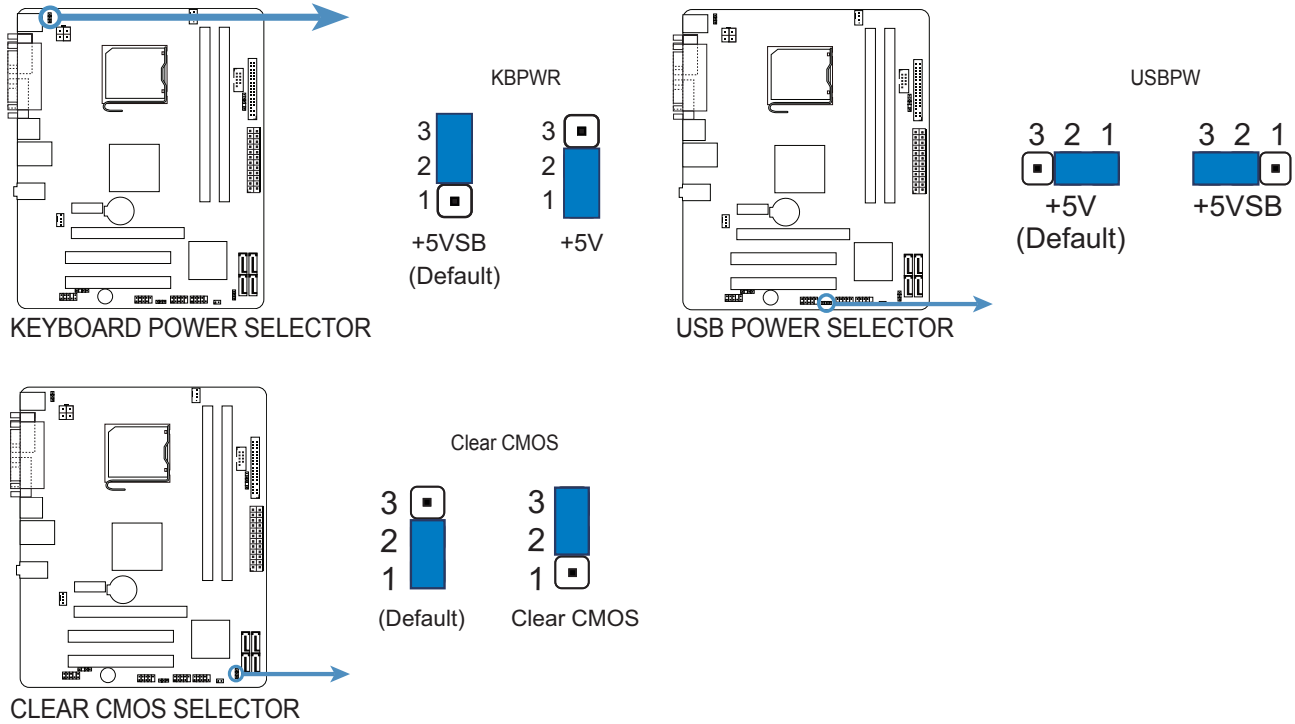
# Rear panel connectors



## LAN port LED indications



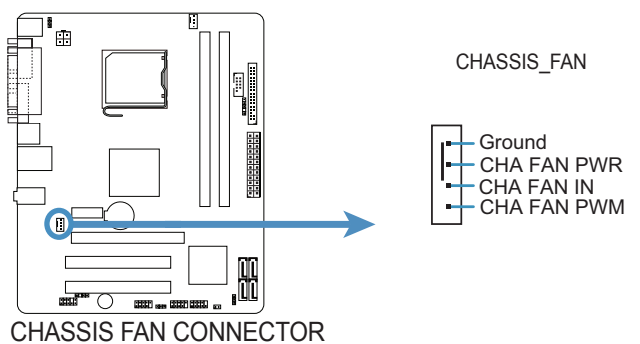
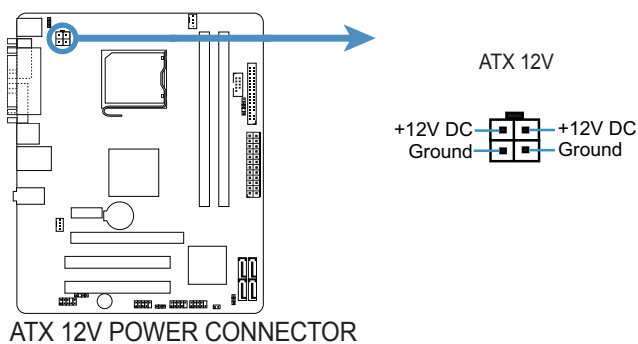
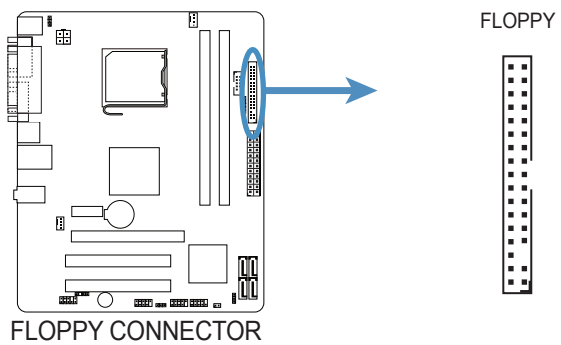
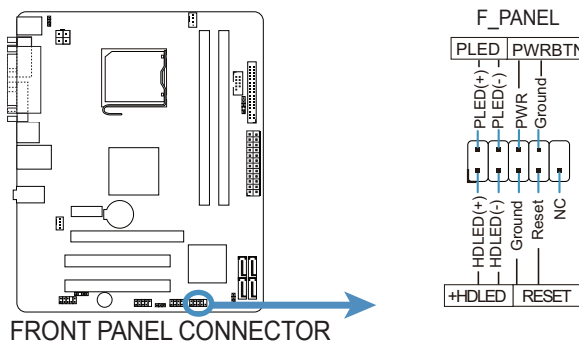
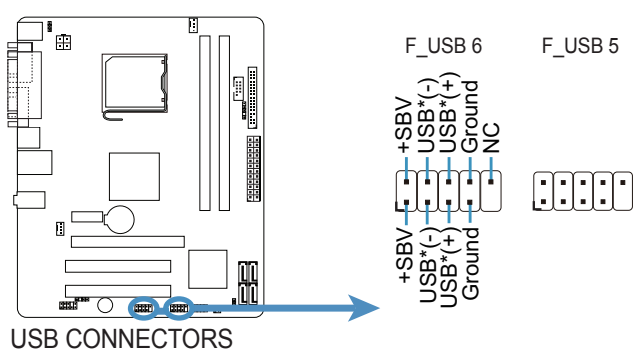
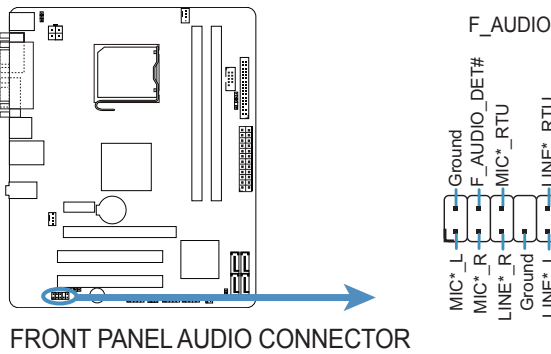
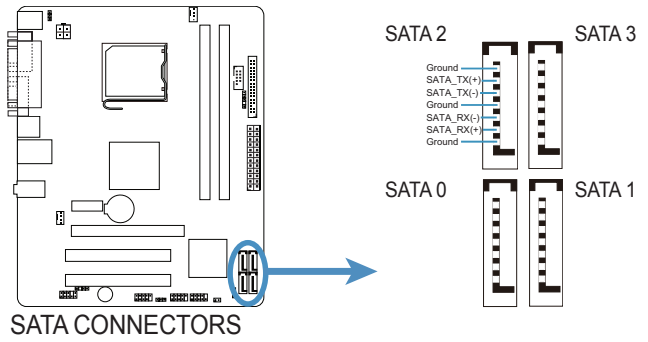
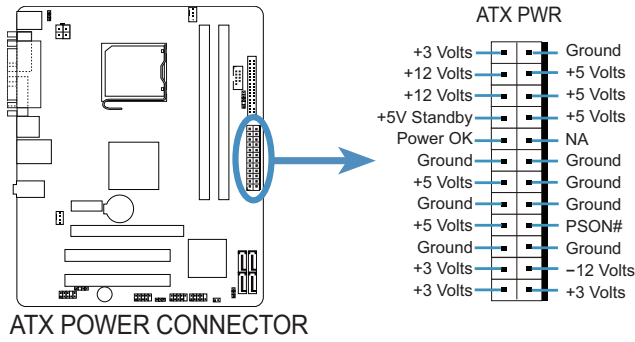
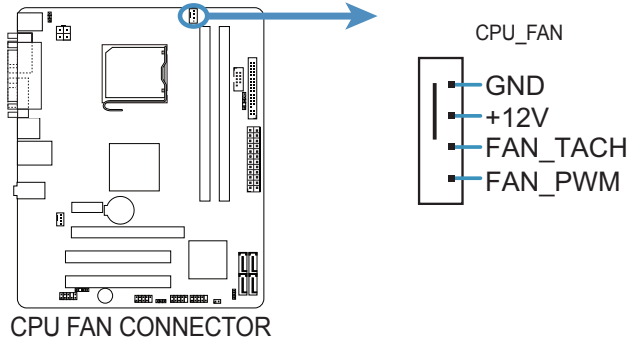
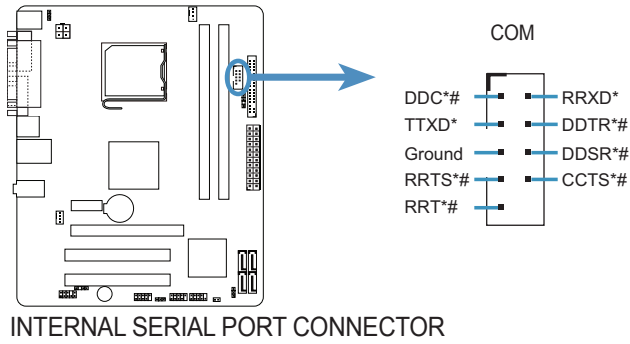
## Function Selectors



### To erase the CMOS RTC RAM user settings:

1. Turn OFF the computer and unplug the power cord.
2. Move the cap to clear for 5 to 10 secs, then move the cap back to default.
3. Plug the power cord and turn ON the computer.
4. During the boot process, enter BIOS setup to re-enter user settings.

# Internal connectors



## Internal connectors (cont.)

