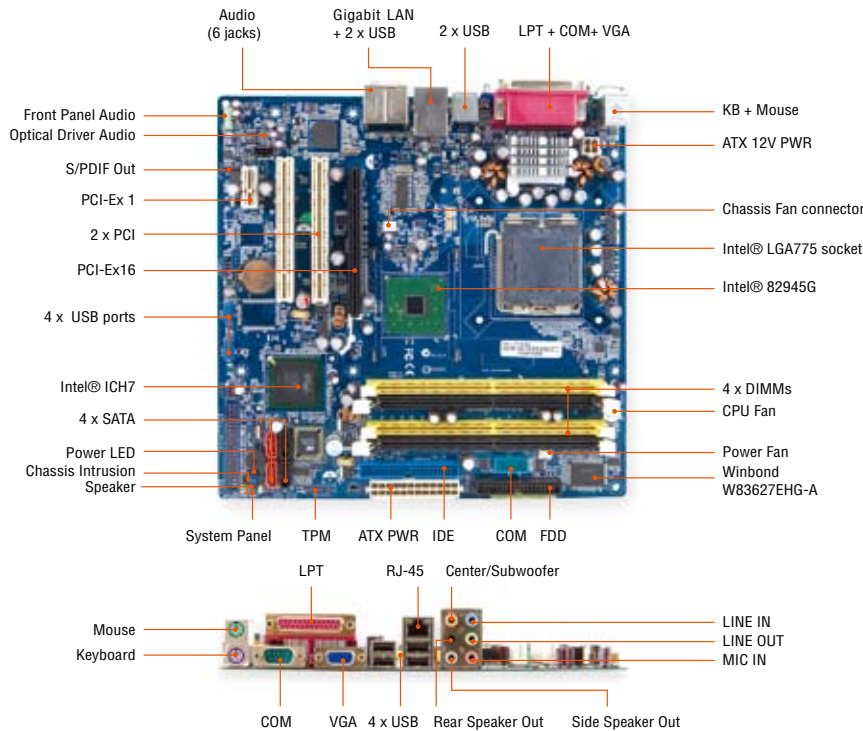


i945G-IGM

Intel® 945G LGA775 Core2 Duo® / Pentium® D / Pentium® 4 / Celeron® D Micro ATX Motherboard



Features

- Supports Intel® Core 2 Duo / Pentium® D / Pentium® 4 / Celeron® D CPU
- Intel® 82945G Chipset
- Four DIMMs up to 4 GB 2-CH DDR2 667/533/400 SDRAM
- Intel® Graphics Media Accelerator 950
- Realtek ALC882 7.1-CH HD Audio
- Intel® 82573L Gigabit LAN
- 1 PCI-E X16, 1 PCI-E X1, 2 PCI
- 2 COM, 8 USB 2.0, 4 SATA



Specifications

System

CPU	Intel® µFC-LGA 775 socket Supports Core 2 Duo / Pentium® D / Pentium® 4 / Celeron® D with 65nm process technology
FSB	1066/800/533 MHz
BIOS	Award 4 Mb Flash ROM BIOS
System Chipset	Intel® 82945G GMCH/ ICH7
I/O Chip	Winbond W83627EHG-A
System Memory	Four 240-pin DIMM sockets support up to 4 GB Dual Channel DDR2 667/533/400 SDRAM
Watchdog Timer	Reset: 1 sec.~255 min. and 1 sec. or 1 min./step
H/W Status Monitor	Monitoring temperatures, voltages, and cooling fan status. Auto throttling control when CPU overheats
Expansion	One PCI Express X16, one PCI Express X1, two PCI slots (PCI Rev. 2.2 compliant)

I/O

MIO	1 x EIDE (Ultra DMA 100), 4 x SATA, 1 x FDD, 1 x LPT, 2 x RS-232, 1x K/B, 1 x Mouse
USB	8 x USB 2.0 ports

Display

Chipset	Intel® 82945G GMCH integrated Graphics Media Accelerator 950
Display Memory	Intel® DVM3T 3.0 supports 224 MB video memory
Max. 3D Resolution	2048 x 1536 @ 32 bpp (75Hz)
VGA/LCD Interface	PCI-E X16 VGA interface
LVDS	Through ADD2 LVDS Card (Customized BIOS required)
DVI	Through ADD2 DVI Card (Customized BIOS required)
TV-out	Through ADD2 TV-out Card (Customized BIOS required)

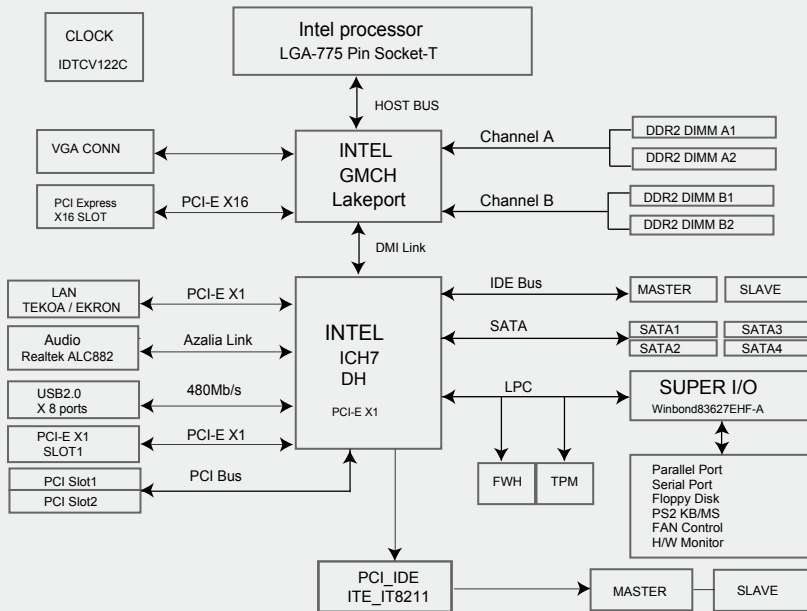
Audio

Chipset	Intel® ICH7
Audio Codec	Realtek ALC882 7.1-channel High Definition Audio Codec
Audio Interface	Mic in, Line in, CD Audio in, Line out, S/PDIF

Ethernet

LAN 1	Intel® 82573L Gigabit LAN
--------------	---------------------------

Block Diagram



Ordering information

i945G-IGM

Intel® LGA775 Core 2 Duo / Pentium® D / Pentium® 4 / Celeron® D Micro ATX Motherboard with VGA, Audio, Gb LAN, 8 USB 2.0, 1 PCI-E X16, 1 PCI-E X1, & 2 PCI

T-OTS-000034

TPM module

Packing List of i945G-IGM

80M-945G00-2000000	i945G-IGM MicroATX Motherboard	1
14G000011214	34pin FDD cable/40 pin IDE cable	1
14G000127071	SATA cable 2-in-1	1
14G000020093	COM1 cable 9P, L:260mm	1

Back Panel I/O Port

1 x PS/2 Keyboard
1 x PS/2 Mouse
1 x Parallel port
1 x Serial port
1 x VGA port
1 x RJ45 port
4 x USB 2.0/1.1
Audio I/O (6 jacks)

Internal I/O Connector

2 x USB connectors support additional 4 USB ports
1 x 24-pin ATX Power connector
1 x 4-pin ATX 12V Power connector
1 x Floppy disk drive connector
1 x IDE connector for two devices
1 x COM connector
1 x Power LED connector
1 x Chassis intrusion connector
1 x CD audio in connector
1 x TPM connector
4 x SATA connectors
1 x Front panel audio connector
1 x S/PDIF out connector
1 x Speaker connector
1 x System panel connector
1 x CPU Fan connector
1 x Chassis Fan connector
1 x Power Fan connector

Mechanical & Environmental

Power Requirement	+5 V @ 6.25 A, +12 V @ 4.01 A, +3.3 V @ 0.81 A (with Intel® Core 2 Duo E6300 1.86 GHz & 4 x 1GB DDR2 SDRAM)
Power Type	ATX
Operating Temperature	0~50°C (32~122°F)
Operating Humidity	0%~90% relative humidity, non-condensing
Size (L x W)	9.6" x 9.6" (243.84 mm x 243.84 mm)
Weight	0.88 lbs (0.4 Kg)

Advansus Corp.

Taiwan Headquarters

No. 1, Alley 20, Lane 26, Rueiguang Road, Neihu District

Taipei 114, Taiwan, R.O.C.

Tel: 886-2-8177-7089

Fax: 886-2-2794-7301

E-mail: sales@advansus.com.tw