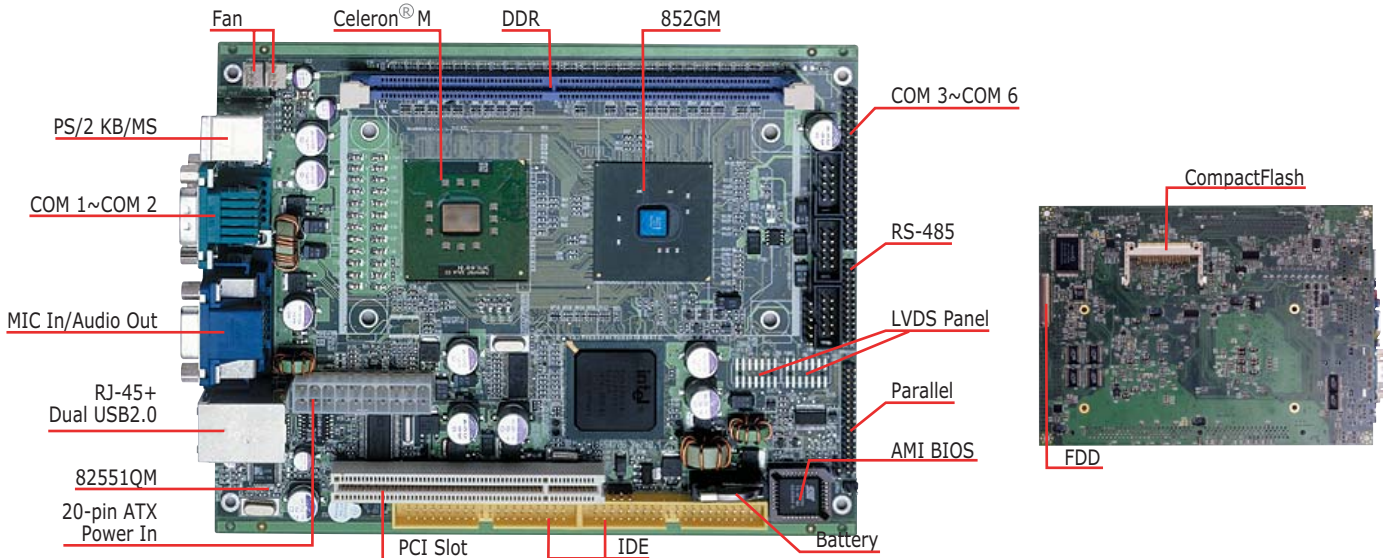


Embedded Engine Board HS-4706M

- 400MHz FSB
- Audio
- H/W Monitor
- CompactFlash
- ATA/33/66/100
- DDR
- RS-232/422/485
- PCI Slot
- 6 COM
- CRT/LVDS Panel
- USB2.0
- LAN
- WDT

ULV Intel® Celeron® M processor Embedded Engine Board with CompactFlash Reader, CRT/LVDS Panel, Audio, LAN & USB2.0



■ Features

ULV Intel® Celeron® M processor 600MHz/512K
 One DDR socket with a max. capacity of 1GB
 Intel® 852GM GMCH/ICH4 system chipset
 Winbond W83627HF super I/O chipset
 Intel® 82852GM graphics controller
 Intel® 82551QM fast Ethernet controller

AC97 3D audio controller
 Fast PCI ATA/33/66/100 IDE controller
 CompactFlash card adapter, six COM, four USB2.0 ports
 LVDS Panel display interface
 Hardware Monitor function

■ Specifications

***CPU:** ULV Intel® Celeron® M processor 600MHz/512K
 ***Front Side Bus:** Supports 400MHz FSB
 ***Memory:** One DDR socket supporting up to 1GB
 ***Chipset:** Intel® 852GM GMCH/ICH4 chipset
 ***I/O Chipset:** Winbond W83627HF
 ***CompactFlash:** One, Type II IDE interface adapter
 ***PCI Slot:** One standard PCI slot
 ***VGA:** Intel® 82852GM supporting CRT display up to 1600 x 1200
 ***LVDS Panel:** Supports 18-bit single channel/36-bit dual channel LVDS interface
 ***Ethernet:** Intel® 82551QM 10/100 Based LAN
 ***Audio:** AC97 3D audio controller
 ***IDE:** Four IDE disk drives supporting ATA/33/66/100 and with transfer rates of 33/66/100MB/sec.

***FDD:** Supports one slim floppy disk drive
 ***Parallel:** One enhanced bi-directional parallel port supporting SPP/ECP/EPP
 ***Serial Port:** 16C550 UART-compatible RS-232/422/485 x 1 and RS-232 x 5 serial ports with 16-byte FIFO
 ***USB:** Four USB2.0 ports, two internal and two external
 ***Keyboard:** PS/2 6-pin Mini DIN
 ***Mouse:** PS/2 6-pin Mini DIN
 ***BIOS:** AMI PnP Flash BIOS
 ***Watchdog Timer:** Software programmable time-out intervals from 1~256 sec.
 ***CMOS:** Battery backup
 ***Temperature:** 0~+60°C (operating)
 ***Hardware Monitor:** Winbond W83627HF
 ***Dimensions:** 20.3(L) x 14.6(W) x 3.3(H) cm

■ Ordering Guide

HS-4706M ULV Intel® Celeron® M processor(w/Heatsink) SBC w/CF, CRT/LVDS Panel, Audio, LAN, 6C/485 & USB2.0



BOSER Technology Co., Ltd.

15F-6, No. 77, Hsin Tai Wu Road, Sec. 1, Hsichih, Taipei Hsien 221 Taiwan TEL: 886-2-26983333 FAX: 886-2-26983300
 http://www.bosertech.com / http://www.bosertech.com E-mail: webmaster@bosertech.com / sales@bosertech.com

Shanghai/Beijing TEL: 021-63459295 U.S.A. Branch TEL: +1-408-737-9898 U.S.A. East Coast TEL: +1-781-937-9888 North America TEL: +1-603-886-3900 Germany TEL: +49-221-954790 Italy TEL: +39-051-452042 Korea TEL: +82-2-32823999 Israel TEL: +972-3-9203456 France TEL: +33-1-69061790 Finland TEL: +358-2-6203753 India TEL: +91-22-27890702 South Africa TEL: +27-11-462-1320 Brasil TEL: +55-51-21283003
 63455296, 63456297 Toll Free: 800-500-4138 Toll Free: 800-886-2243 Toll Free: 800-833-8999 FAX: +49-221-9547988 FAX: +39-051-455046 FAX: +82-2-32823992 FAX: +972-9203535 FAX: +33-1-69433732 FAX: +358-2-6203770 FAX: +91-22-27890702 FAX: +27-11-704-3421 Toll Free: 800-704-4788 FAX: +55-51-21283017

