

# HP Kayak XM600 Series 2 Desktop PC Workstations

## XM600 Series 1 or Series 2?

Look at the label on the side or rear of the PC Workstation:

	XM600 Series 1	XM 600 Series 2
<b>Identified as</b>	“Kayak XM600”	“Kayak XM600 Series 2”
<b>Product numbers</b>	Any Dxxxx PxxxxN up to P2189N PxxxxT up to P2189T	P2190N or higher P2190T or higher

This chapter deals exclusively with the XM600 *Series 2*.

## Models and Accessories

Product Number <sup>1</sup>	Cache Memory	Std. RAM	Hard Drive	Video Controller	Multi-media	LAN
<b>HP Kayak XM600 Series 2 PC Workstation</b> <b>HP Kayak XM600 866 MHz - 133 MHz FSB<sup>2</sup> (CPL: 11/2000▶)</b>						
<b>P2191N and P2191T</b>	Pentium® III with i256 KB of L2 cache memory	128 MB RDRAM 133 MHz non-ECC	20 GB Ultra ATA/66 7.2 krpm	Matrox Millennium G250 8 MB SGRAM video memory fitted	48X IDE CD-ROM	HP 10/100 BT PCI
<b>HP Kayak XM600 933 MHz - 133 MHz FSB (CPL: 11/2000 ▶)</b>						
<b>P2193N</b>	Pentium III with i256 KB of L2 cache memory	128 MB SDRAM 133 MHz non-ECC	20 GB Ultra ATA/66 7.2 krpm	Matrox Millennium G400-Dual 16 MB video memory fitted	48X IDE CD-ROM	HP 10/100 BT PCI
<b>P2194T and P2194N</b>			9.1 GB 7.2k rpm SCSI			



## HP Kayak XM600 Series 2 Desktop PC Workstations

Product Number <sup>1</sup>	Cache Memory	Std. RAM	Hard Drive	Video Controller	Multi-media	LAN
<b>HP Kayak XM600 800 MHz -133 MHz FSB (CPL: 11/2000 ▶)</b>						
<b>P2202N</b>	Pentium III with i256 KB of L2 cache memory	128 MB SDRAM 133 MHz non-ECC	20 GB Ultra ATA/66 7.2 krpm	Matrox Millennium G250 8 MB SGRAM video memory fitted	48X IDE CD-ROM	HP 10/100 BT PCI
<b>HP Kayak XM600 866 MHz -133 MHz FSB (CPL: 11/2000 ▶)</b>						
<b>P2204T and P2204N</b>	Pentium III with i256 KB of L2 cache memory	128 MB SDRAM 133 MHz non-ECC	20 GB Ultra ATA/66 7.2 krpm	Matrox Millennium G400-Dual 16 MB video memory fitted	48X IDE CD-ROM	HP 10/100 BT PCI
<i>All models are supplied with a 1.44 MB Floppy Disk Drive, an integrated IDE controller, and an integrated audio chip on the system board.</i>						

<b>HP Kayak XM600 Series 2 (CPL: 11/2000 ▶)</b>	
<b>P2196AV</b>	V-Exp Base Model IDE
<b>P2198AV</b>	V-Exp Base Model SCSI

1. Unless otherwise mentioned, the operating system for the HP Kayak XM600 Series Desktop PC Workstations is Windows 2000.
2. FSB = Front Side Bus



# HP Kayak XM600 Series 2 Desktop PC Workstations

## Supported Accessories

### Memory Upgrades

RDRAM 64 MB PC700 non-ECC main memory	D9500A
RDRAM 128 MB PC700 non-ECC main memory	D9502A
RDRAM 256 MB PC700 non-ECC main memory	D9503A
RDRAM 64 MB PC800 ECC main memory	D9504A
RDRAM 128 MB PC800 ECC main memory	D9506A
RDRAM 256 MB PC800 ECC main memory	D9507A
RDRAM 512 MB PC800 ECC main memory	D9508A

### Processors (Socket)

Intel Pentium III 800 MHz, 133MHz FSB, 256 KB cache	P2285A
Intel Pentium III 866 MHz, 133MHz FSB, 256 KB cache	P2286A
Intel Pentium III 933 MHz, 133MHz FSB, 256 KB cache	P2287A

### Mass Storage—Hard Disk Drives

10 GB Ultra ATA/66 hard disk, 5.4k rpm	D9623A
15.0 GB Ultra ATA/66 hard disk, 7.2k rpm	D7517A
30.0 GB Ultra ATA/66 hard disk, 7.2k rpm	D9804A
9.1 GB Ultra 2/3 SCSI hard disk, 7.2k rpm	D6938C
9.1 GB Ultra 2/3 SCSI hard disk, 10k rpm	D8608B
18 GB Ultra 2/3 SCSI hard disk, 10k rpm	D8609B

### Removable Mass Storage

48X max-speed IDE CD-ROM drive (single)	D9444A
8x Video IDEO DVD-ROM drive	D7521A
4X IDE CD-Writer Plus	D9524A

### Input Devices

HP Windows® keyboard	C4735A
HP multimedia keyboard	C4742A
HP standard 2-button mini-din mouse	C3751B
HP mouse with scrolling wheel	C4736A
HP cordless scrolling mouse	C4740A



# HP Kayak XM600 Series 2 Desktop PC Workstations

## Security

HP Master Pass Key System kit	D6655B
HP Master Pass Key	D6658B
HP Locks x50 for Master Pass Key System	D6659A
HP ProtectTools Smart Card Reader kit	D8436A

## LAN Interfaces

HP 10/100 PCI Ethernet Adapter (single)	D7508A
HP 10/100 PCI Ethernet Adapter (pack of 10)	D7509A
HP 3COM FastEtherlink XL 3C905C-TX PCI NIC <sup>1</sup> (single)	D7522A
HP 3COM FastEtherlink XL 3C905C-TX PCI NIC <sup>1</sup> (pack of 10)	D7523A
HP Intel Pro/100+ Management Adapter (single)	D7506A
HP Intel Pro/100+ Management Adapter (pack of 10)	D7507A

## Adapters

Ultra II SCSI adapter card	D9663A
Ultra 160 SCSI adapter card	P1969A

## Graphics Cards

Matrox Millennium G400-Dual graphics card	D9521A
Elsa Synergy II graphics card	D9522A
Elsa Gloria II graphics card	D9509A

## Graphics Memory

8 MB SGRAM SODIMM for Matrox G200/250 AGP graphics card	D9527A
---	--------

## Audio and Multimedia

Labtech amplified speakers (10 WRMS) (single)	D4545A
Labtech amplified speakers (4 WRMS) (single)	D6861A
Standard headset	D8387A

## Miscellaneous

USB Hub accessory kit	D6804A
-----------------------	--------

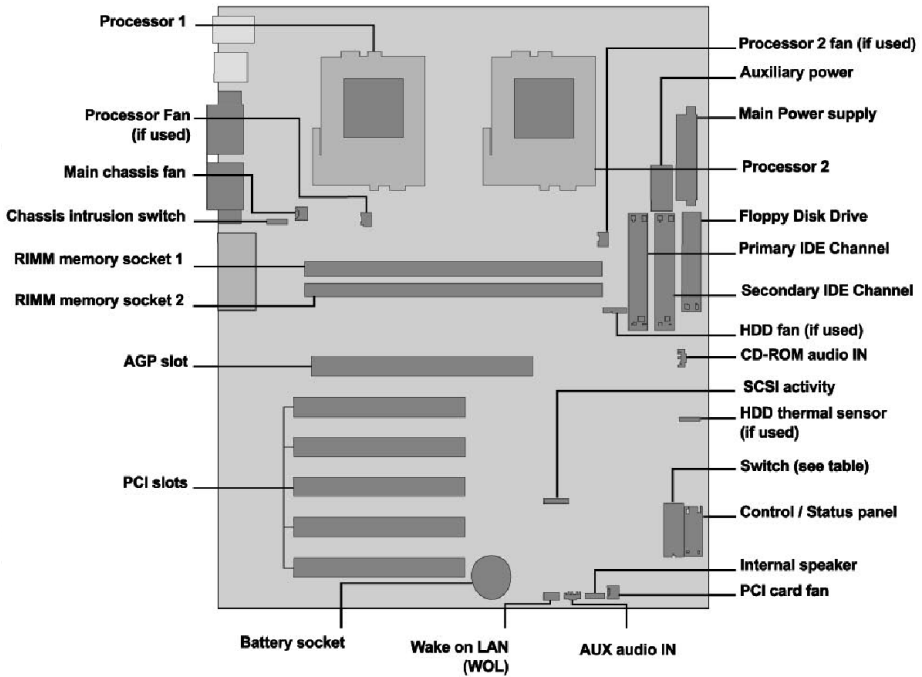
1. NIC = Network Internet Connector

1



# HP Kayak XM600 Series 2 Desktop PC Workstations

## System Board Connectors, BIOS, and Memory



1



# HP Kayak XM600 Series 2 Desktop PC Workstations

## System Board Switches

Switch	Default	Function
1	OFF	Reserved 1-5. Do Not Change Default Settings.
2	OFF	
3	OFF	
4	OFF	
5	OFF	
6		Disables keyboard power-on.
	ON	Enables keyboard power-on.
7	OFF	Enables normal mode.
		Enables the BIOS recovery mode at next boot.
8	OFF	Retains CMOS memory.
		Clears CMOS memory at next boot.
9	OFF	Enables User and System Administrator passwords.
		Clears the passwords at next boot.
10	OFF	Selects the chassis type. OFF = Desktop.
		ON = Minitower

## BIOS History

For the latest BIOS, the flasher utility program, and the BIOS history refer to the HP World Wide Web site. The BIOS is in the form IC.xx.yy.zz

yy= BIOS version number

zz = is the selected language to be downloaded

<http://www.hp.com/go/kayaksupport>

1



## HP Kayak XM600 Series 2 Desktop PC Workstations

### Installing a Dual Processor / Replacing a Processor

HP Kayak XM600 Series 2 Desktop PC Workstations are supplied with a Pentium III processor and an integrated VRM (Voltage Regulator Module) on the system board. A separate VRM is not required.

Single processor models can be upgraded to dual processor systems by installing a second processor accessory in the vacant processor socket.

The second processor must be a processor of the same type, speed and level-2 cache memory capacity as the first.

After installing a second processor in a Windows 2000 Workstation PC, configure the system using the Windows Control Panel.

---

*NOTE:*

The processor type and speed is automatically recognized by the BIOS. This means that no particular switch setting changes are required.

---

### Main Memory

The HP Kayak XM600 Series 2 has two available RIMM sockets (RIMM0 and RIMM1) on the system board. If RIMM1 socket is unused, it *must* contain a “**RDRAM Continuity Module**”.

Memory upgrades are available in 64 MB, 128 MB or 256 MB ECC or non-ECC RDRAM modules.

When upgrading memory, ensure that:

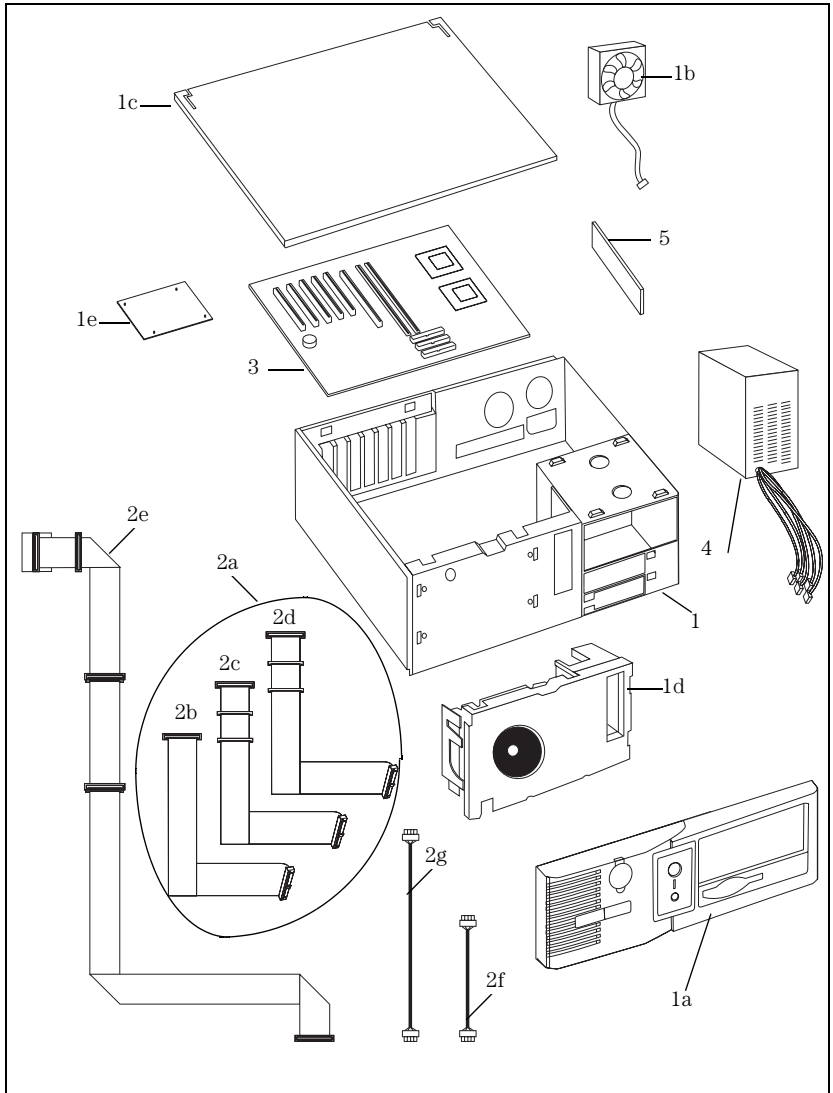
- Modules should be first installed in RIMM0 socket, then RIMM1.
- If RIMM1 socket is not used, install an “RDRAM Continuity Module”.

1



# HP Kayak XM600 Series 2 Desktop PC Workstations

## Parts and Part Numbers



1





# HP Kayak XM600 Series 2 Desktop PC Workstations

## Parts List

Item	Description	Replacement Part Number	Exchange Part Number
1	Chassis assembly:	5065-2546	—
	a Front Bezel assembly (includes status panel)	5065-0421	—
	b Fan assembly	5065-0424	—
	c Top cover assembly	5065-0426	—
	d Hard disk drive and speaker assembly	5065-0427	—
	e CPU bracket	5002-6265	—
	<i>Not shown in graphic:-</i>		
	Support kit, including:	5065-0425	—
	<ul style="list-style-type: none"> <li>• anti-intrusion switch</li> <li>• system board fixing bar and screw</li> <li>• hard disk drive screws (long)</li> <li>• 5 ¼-inch filler panel</li> <li>• 3½-inch filler panel</li> <li>• 3½-inch floppy panel</li> </ul>		
	Cover lock assembly	5064-2645	—
	Rear panel connector gasket	5002-6262	—
2	Cables:		
	a IDE cable kit (HDD, CD-ROM, FDD)	5064-9774	—
	b FDD IDE cable	5183-9416	—
	c HDD IDE cable	5183-9417	—
	d CD-ROM IDE cable	5184-3874	—
	e SCSI cable, U2	5183-9415	—
	SCSI cable, U160	5184-3867	—
	f SCSI LED cable for U2 SCSI card	5183-9401	—
	SCSI LED cable for U160 SCSI card	5184-3868	—
	g CD-ROM audio cable	5182-1857	—
3	System board	See system board parts list	
4	Power supply unit, PFC	0950-3959	—
5	RDRAM Continuity Module	D8660-63001	—



# HP Kayak XM600 Series 2 Desktop PC Workstations

## Parts List

Item	Description	Replacement Part Number	Exchange Part Number
Available Parts that are not shown in the graphic on page 8.			
	Floppy disk drive (1.44)	D2035-60293	—
	Ultra 2 SCSI card (Symbios 8952U)	5064-7466	—
	Ultra160 SCSI card (Symbios 8955U)	5184-3856	—
	Standard hard disk drive <sup>1</sup>		
	10 GB IDE Ultra ATA/66 5.4k rpm	D9805-63001	D9805-69001
	15 GB IDE Ultra ATA/66 7.2k rpm	D9803-63003	D9803-69003
	20 GB IDE Ultra ATA/100 7.2k rpm	P1640-63001	P1640-69001
	30 GB IDE Ultra ATA/66 7.2k rpm	D9804-63003	D9804-69003
	40 GB IDE Ultra ATA/100 7.2k rpm	P1641-63001	P1641-69001
	9.1 GB SCSI U2 7.2k rpm	D6463-63001	D6463-69001
	9.1 GB SCSI U160 7.2k rpm	D9475-63001	D9475-69001
	9.1 GB SCSI U160 10k rpm	P1575-63001	P1575-69001
	18 GB SCSI U160 7.2k rpm	D9476-63001	D9476-69001
	18 GB SCSI U160 10k rpm	P1576-63001	P1576-69001
	36 GB SCSI U160 10k rpm	P1577-63001	P1577-69001
	Optical drives:		
	DVD 8X IDE video drive	—	D4388-69002
	CD-ROM 48X IDE drive	D4389-63001	—
	CD-R/W 8X4X32X IDE drive	D4398-63051	D4398-69051
	Graphics cards & cables:		
	Elsa Synergy II, PCI	5065-0468	—
	Elsa Synergy II, AGP	—	D7992-69501
	Matrox Millennium G400-Dual, AGP	—	D8924-69501
	Matrox Millennium G250, AGP	5064-9191	—
	Matrox Millennium G200-Quad, PCI	—	D9536-69501
	3Dlabs Oxygen GVX1, AGP	—	D8366-69501
	Elsa Gloria II, AGP	—	D9543-69501
	Appian Jeronimo Pro Quad, PCI	—	D9534-69501
	Cable kit for Matrox G200-Quad Video (2 Y-cables for 4 monitors)	5184-3830	—
	Cable kit for Appian Jeronimo Pro video (1 cable for 4 monitors)	5184-3831	—
	HP 10/100 BaseT LAN card	5065-2523	—
	Intel LAN card	5065-1210	—
	3COM LAN card 3C905	5064-7429	—

1



# HP Kayak XM600 Series 2 Desktop PC Workstations

## Parts List

Item	Description	Replacement Part Number	Exchange Part Number
	Input Devices:		
a	Three-button mouse	C4728-60101	—
b	Enhanced mouse with scroll/zoom wheel	C4736-60101	—
	Power cord	8120-xxxx	—
	Standard Keyboard	C4739-601xx	—
	Multimedia keyboard	C4742-601xx	—
	CR2032 battery (3V)	1420-0356	—

- For optional disk drive information, refer to the *Accessory Service Handbook*.

## System Board Parts List

Description	Repl. Part Number	Exchange Part Number
<b>System board:</b>		
XM600 Series 2 system board	P2190-63001	P2190-69001
<b>Processors (Socket):</b>		
Intel Pentium III 800 MHz, 133 MHz FSB, 256 KB cache	D9872-63001	D9872-69001
Intel Pentium III 866 MHz, 133 MHz FSB, 256 KB cache	D9873-63001	D9873-69001
Intel Pentium III 933 MHz, 133 MHz FSB, 256 KB cache	D9486-63001	D9486-69001
Socket Processor Heatsink	5065-1297	—
Socket Processor Terminator	P2190-63101	—
<b>Main memory modules</b>		
1 x 64 MB, PC700 non-ECC RDRAM	—	D9500-69001
1 x 128 MB, PC700 non-ECC RDRAM	—	D9502-69001
1 x 256 MB, PC700 non-ECC RDRAM	—	D9503-69001
1 x 128 MB, PC800 ECC RDRAM	—	D9506-69001
1 x 256 MB, PC800 ECC RDRAM	—	D9507-69001
1 x 512 MB, PC800 ECC RDRAM	—	D9508-69001



# HP Kayak XM600 Series 2 Desktop PC Workstations

## Manuals and Documentation

Description	Part Number	
<i>Quick User's Guide</i> (Minitower and Desktop)	5970-5050-xx	Paper document and electronic file
<i>Desktop User's Guide</i>		electronic file only
<i>Desktop Troubleshooting Guide</i>		electronic file only
<i>Technical Reference Manual</i> (Minitower and Desktop)		electronic file only
Online documentation (electronic files) can be downloaded from: <a href="http://www.hp.com/go/kayaksupport">http://www.hp.com/go/kayaksupport</a>		

## Software

<i>Image Creation and Recovery CD-ROM for Windows NT and Windows 2000</i>	5970-0330-xx <sup>1</sup>	—
---	---------------------------	---

1. xx = Language code

