



HP Customer Support

[Support Home](#)[Products](#)[Software and](#)[Drivers](#)[Forums](#)[Contact Support](#)

HP and Compaq Desktop PCs - Motherboard Specifications, RC410-M (Asterope)

[Motherboard specifications table](#)[Motherboard layout and photos](#)[Clearing BIOS settings](#)

Motherboard specifications table

Part / Feature	Specification / Support
Motherboard description	<ul style="list-style-type: none"> Motherboard manufacturer's name: ECS RC410-M HP/Compaq name: Asterope-GL8E
CPU/Processor	<ul style="list-style-type: none"> Socket: 775 Supports the following processors: <ul style="list-style-type: none"> Pentium D 900 series Dual Core (Presler) Pentium D 820 (Smithfield, 90nm) Pentium 4 631, 641, 651, 661 (Cedar Mill, 65nm) Pentium 4 630, 640, 650 (Prescott, 90nm) Pentium 4 520J/521, 530J/531, 540J/541, 550J/551 (Prescott, 90nm) Celeron D 352, 356 (Cedar Mill, 65nm) Celeron D 325J/326, 330J/331, 335J/336, 340J/341, 345J/346, 351, 355 (Prescott, 90nm)
Front-side bus (FSB)	<ul style="list-style-type: none"> 800/533 MHz
Chipset	<ul style="list-style-type: none"> Northbridge: ATI RC410

Part / Feature	Specification / Support
	<ul style="list-style-type: none"> • Southbridge: ATI IXP450
BIOS features	<ul style="list-style-type: none"> • AMI BIOS
Form factor	<ul style="list-style-type: none"> • Micro ATX size form factor, 9.6 in x 9.6 in
Memory	<ul style="list-style-type: none"> • Single-channel memory architecture • 2 x 240-pin DIMM sockets support unbuffered non-ECC 400/533 MHZ DDR2 memory modules • Maximum HP/Compaq approved memory is 2 GB
Expansion slots	<ul style="list-style-type: none"> • Three PCI • One PCI Express
Video graphics	<ul style="list-style-type: none"> • Integrated • Supports PCI Express x16 graphics cards
Onboard audio or audio card	<ul style="list-style-type: none"> • Built-in Azalia 8 channel audio • Realtek ALC882 or ALC883 8-channel High Definition Audio CODEC
Onboard LAN	<ul style="list-style-type: none"> • Realtek RTL8100 10/100 Mbps Fast Ethernet controller
Back panel I/O	<ul style="list-style-type: none"> • PS/2 keyboard (purple) • PS/2 mouse (green) • One SPDIF out port • One S-video out port • One VGA out port • One Parallel port • Four USB (2.0) • One IEEE 1394a • One RJ-45 networking port (LAN) • Audio ports: <ul style="list-style-type: none"> • line in (light blue) • line out (lime) • microphone (pink)

Part / Feature	Specification / Support
	<ul style="list-style-type: none">• side speaker out (gray)• rear speaker out (black)• center/subwoofer (yellow orange)
Internal connectors	<ul style="list-style-type: none">• Two IDE connectors• One floppy drive connector• One ATX 24-pin power connector• One ATX 4-pin +12v power connector• Four Serial ATA connectors• One VGA connector• One IEEE 1394a connector• One CPU fan connector• One PC fan connector• One CD_IN connector• One front panel audio connector• One PC panel connector• Two USB connectors supporting 2.0 ports

NOTE:

Motherboard specifications are subject to change without notice.

Motherboard layout and photos

Figure 1: layout

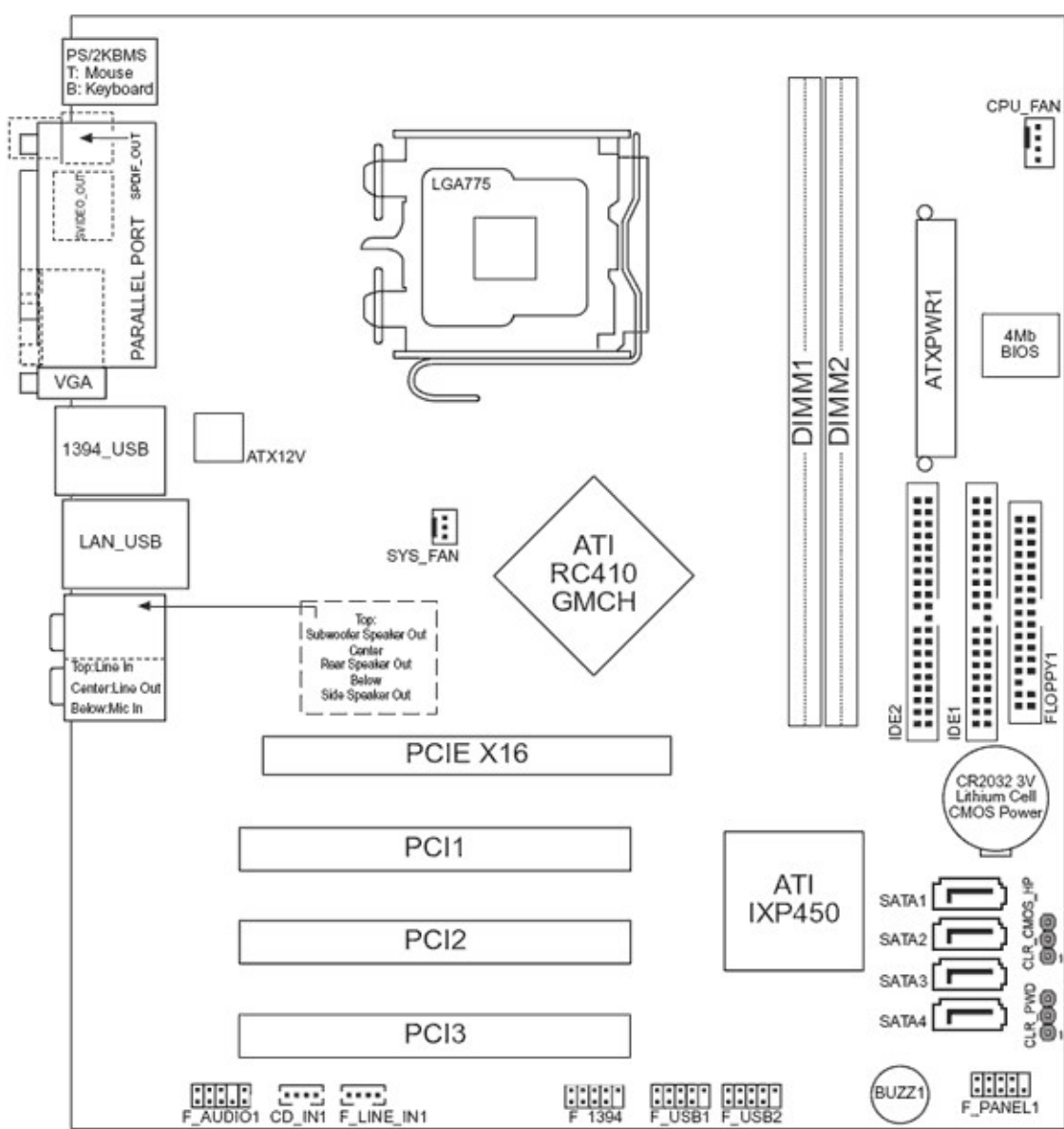
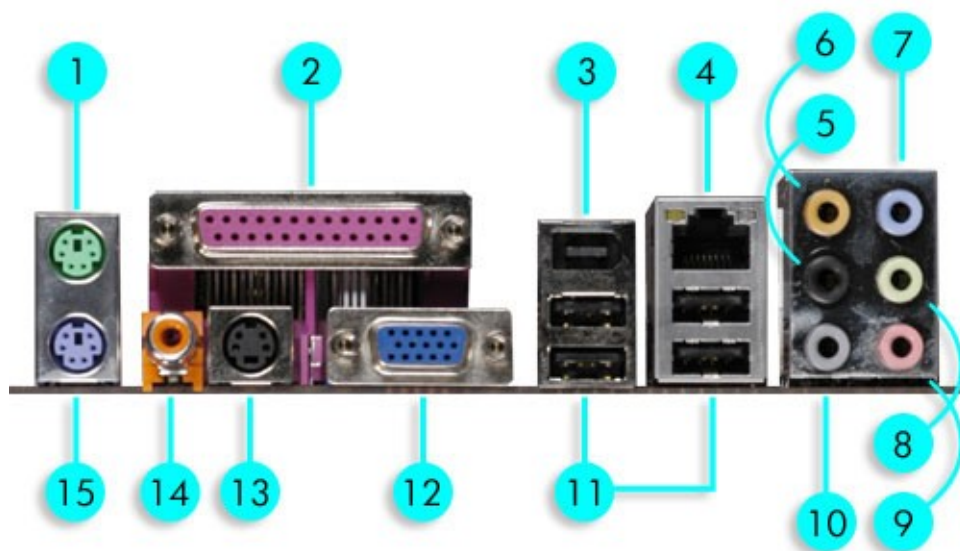


Figure 2: Photograph



Figure 3: Backplate



- 1. PS/2 mouse port (green).** This port is for a PS/2 mouse.
- 2. Parallel port.** This 25-pin port connects a parallel printer, a scanner, or other devices.
- 3. IEEE 1394a port.** This 6-pin IEEE 1394a port provides high-speed connectivity for audio/video devices, storage peripherals, PCs, or portable devices.
- 4. LAN (RJ-45) port.** This port allows connection to a Local Area Network (LAN) through a network hub.
- 5. Rear Speaker Out port (black).** This port connects to the rear speakers on a 4-channel, 6-channel, or 8-channel audio configuration.
- 6. Center/Subwoofer port (yellow orange).** This port connects the center/subwoofer speakers.
- 7. Line In port (light blue).** This port connects a tape, CD, DVD player or other audio sources.
- 8. Line Out port (lime).** This port connects a headphone or a speaker. In 4-channel, 6-channel, and 8-channel mode, the function of this port becomes Front Speaker Out.
- 9. Microphone port (pink).** This port connects a microphone.
- 10. Side Speaker Out port (gray).** This port connects to the side speakers in an 8-channel audio configuration.
- 11. USB 2.0 ports 1, 2, 3, and 4.** These four 4-pin Universal Serial Bus (USB) ports are available for connecting USB 2.0 devices.
- 12. Video Graphics Adapter port.** This 15-pin port is for a VGA monitor or other VGA-compatible devices.
- 13. S-Video:** common to many home video components. The video signal is split up into two channels, providing good image fidelity.
- 14. Coaxial S/PDIF Out port.** This port connects an external audio output device via a coaxial S/PDIF cable.
- 15. PS/2 keyboard port (purple).** This port is for a PS/2 keyboard.

Clearing BIOS settings

Resetting BIOS settings are done by moving a jumper onto a pair of pins on the motherboard. Use this section to clear settings for the CMOS RAM (sometimes referred to as Real Time Clock or RTC) or the BIOS password.

⚠ CAUTION:

Do not change any jumper setting while the computer is on. Damage to the motherboard can result.

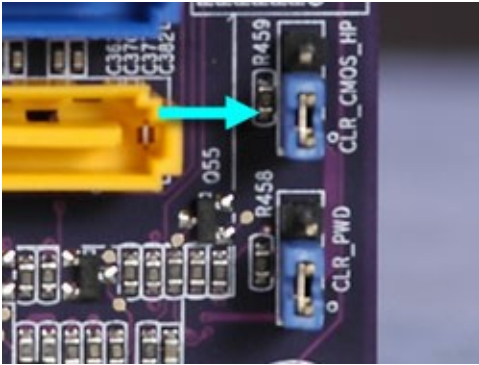
This motherboard has jumpers to:

1. Clear the Real Time Clock (RTC) RAM in CMOS.
2. Disable password checking.

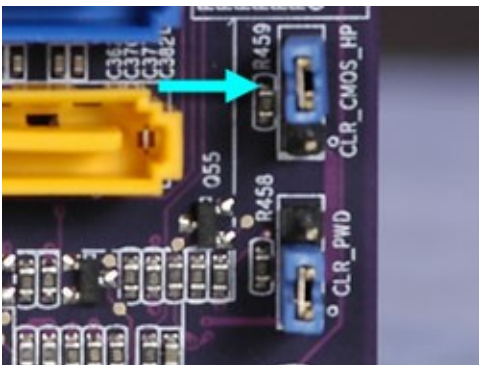
Clearing CMOS

To clear CMOS, follow these steps:

1. Temporarily set jumper CLR_CMOS_HP to pins 2-3.



2. Wait 5-10 seconds and then return the jumper to pins 1-2.



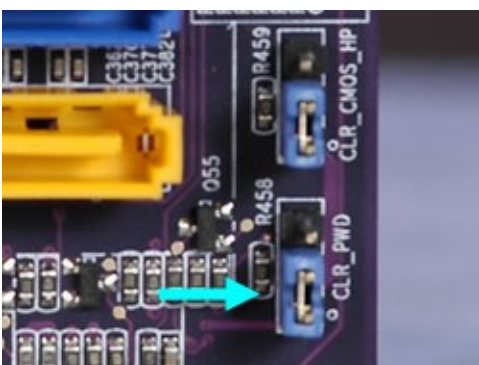
When you start the PC you will need to enter BIOS setup to reset any custom BIOS settings.

Clearing BIOS password

The BIOS password is used to protect BIOS settings from unwanted changes. If you have forgotten your password you may disable password checking.

To erase the BIOS password follow these steps:

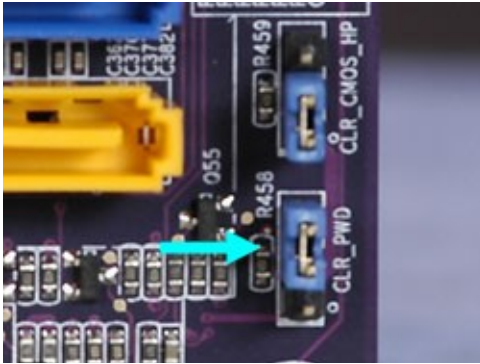
1. Turn OFF the computer and unplug the power cord.
2. Locate the jumper labeled CLR_PWD. The jumper is found at the lower right edge of the motherboard, near the SATA connectors.
3. Move the jumper cap on jumper CLR_PWD to pins 2-3.



4. Plug the power cord and turn ON the computer.

5. Hold down the F1 key during the startup process and enter BIOS setup to change or clear the password.

6. After changing or clearing the BIOS passwords, remember to reset the jumper to pins 1-2.



Ask the community!



Support Forum

Join the conversation! Find Solutions, ask questions, and share advice with other HP product owners. [Visit now](#)