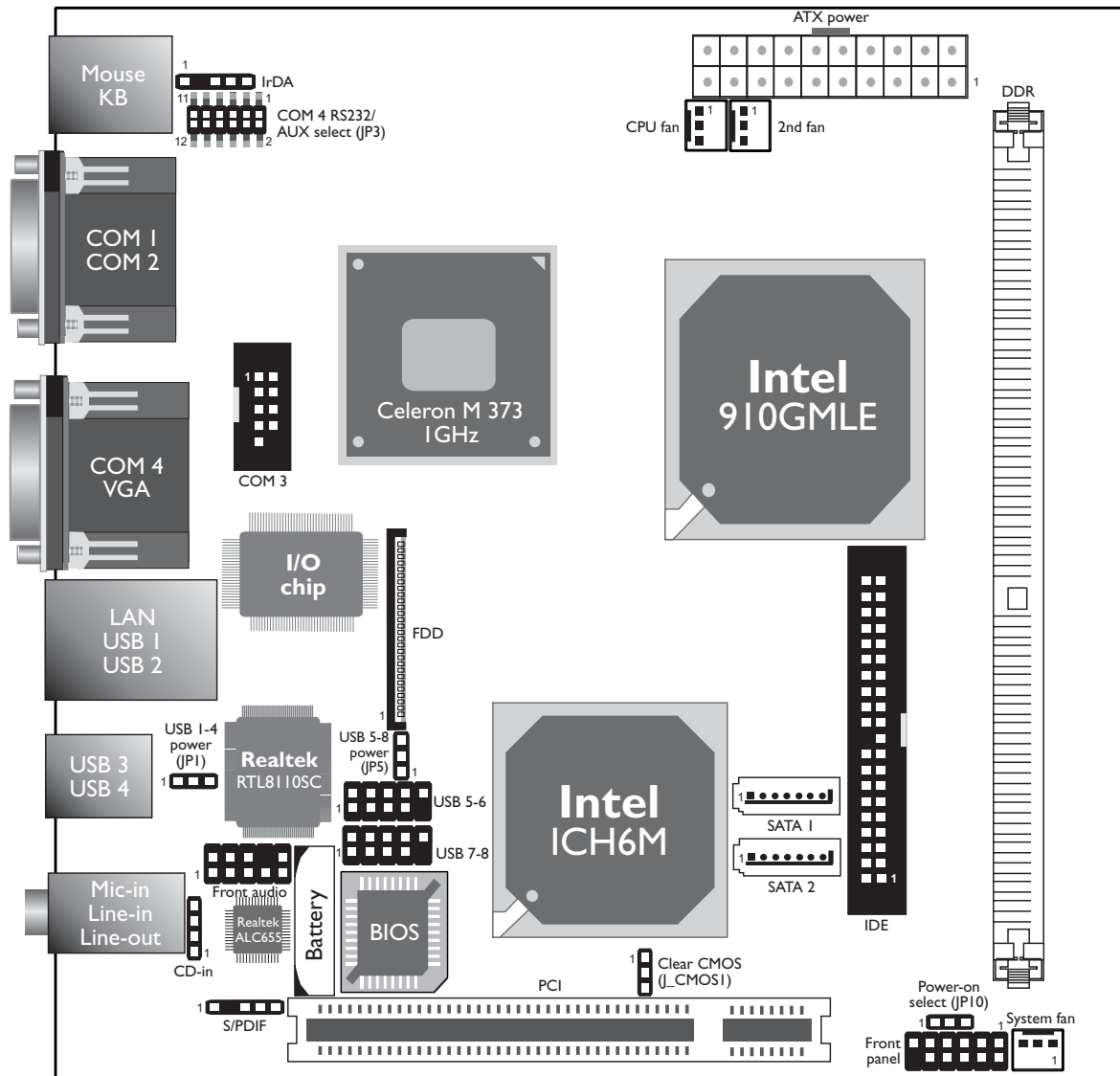


G5G100-L10C



COM 4 RS232/AUX Select	JP3
RS232	1-3, 2-4, 7-9, 8-10 On
Auxiliary power	1-3, 2-4, 9-11 (12V), 10-12 (5V) On

Clear CMOS Data	J_CMOS1
Normal (default)	1-2 On
Clear CMOS Data	2-3 On

Power-on Select	JP10
Power-on via AC power	1-2 On
Power-on via power button	2-3 On

USB Power: 1-4 (JP1), 5-8 (JP5)	
5V (default)	1-2 On
5V_standby	2-3 On