



---

# System board D931

Technical Manual



Dieses Handbuch wurde auf Recycling-Papier gedruckt.  
This manual has been printed on recycled paper.  
Ce manuel est imprimé sur du papier recyclé.  
Este manual ha sido impreso sobre papel reciclado.  
Questo manuale è stato stampato su carta da riciclaggio.  
Denna handbok är tryckt på recyclingpapper.  
Dit handboek werd op recycling-papier gedrukt.

Herausgegeben von/Published by  
Siemens Nixdorf Informationssysteme AG  
D-33094 Paderborn  
D-81730 München

Bestell-Nr./Order No.: **A26361-D931-Z121-5-7619**  
Printed in the Federal Republic of Germany  
AG 1296 12/96



A26361-D931-Z121-1-7619

## Is there ...

...any technical problem or other question you need clarified?...

Please contact:

- one of our IT Service Shops
- your sales partner
- your sales office

You will find the addresses of the IT Service Shops in the enclosed warranty coupon booklet.

... anything you want to tell us about this manual?

Please send us your comments quoting the order number of the manual.

Siemens Nixdorf Informationssysteme AG  
Redaktion BS2000 OS ID4  
Otto-Hahn-Ring 6  
D-81730 München  
Germany



# System board D931

## Technical Manual

Introduction

Important notes

Settings in BIOS-Setup

Jumper settings

Add-on modules

Error messages

Index

December 1996 edition

## Your training needs . . .

The Siemens Nixdorf Training Centers offer you a wide range of training courses in information technology and on IT products and other subjects - onsite near to your workplace or offsite at one of our training centers.

Contact us for information on consulting, course schedules and selfstudy material

Please fax:

Fax: ++49 89 636-42945

Or write to:

Siemens Nixdorf Informationssysteme AG

Training Center, Beratungsservice

D-81730 München

Germany

Adaptec is a registered trademark of Adaptec Inc.

Intel, the Logo „intel inside“ and Pentium are registered trademarks and OverDrive is a trademark of Intel Corporation, USA.

Microsoft, MS, MS-DOS, Windows and Windows 95 are registered trademarks of Microsoft Corporation.

PS/2 and OS/2 Warp are registered trademarks of International Business Machines, Inc.

All other trademarks referenced are the trademarks or registered trademarks of their respective owners, whose protected rights are acknowledged.

Copyright © Siemens Nixdorf Informationssysteme AG 1995.

All rights, including rights of translation, reproduction by printing, copying or similar methods, even of parts are reserved.

Offenders will be liable for damages.

All rights, including rights created by patent grant or registration of a utility model or design, are reserved.

Delivery subject to availability; right of technical modifications reserved.

---

# Contents

<b>Introduction</b> .....	<b>1</b>
Notational conventions.....	1
Features.....	2
Ports and connectors.....	3
Interrupt table.....	4
<b>Important Notes</b> .....	<b>5</b>
Modules with ESDs.....	5
CE certificate.....	6
Program with time loops.....	6
<b>Settings in BIOS Setup</b> .....	<b>7</b>
Main menu - System settings.....	7
System Time / System Date.....	8
Diskette A / Diskette B.....	8
Hard Disk 1 to Hard Disk 4.....	9
Boot Options.....	12
Video Display.....	13
Base Memory.....	13
Extended Memory.....	13
Menu Advanced - Making advanced system settings.....	14
Cache Memory.....	15
Shadow Memory.....	17
Peripheral Configuration.....	18
PCI Configuration.....	21
Advanced System Configuration.....	22
Plug & Play O/S.....	23
Reset Configuration Data.....	23
Large Disk Access Mode.....	24
Menu Security - Setting up the security features.....	25
Setup Password / System Password.....	25
Set Setup Password.....	26
Setup Password Lock.....	26
Set System Password.....	26
System Password Mode.....	26
System Load.....	27
Setup Prompt.....	27
Virus Warning.....	27

# Contents

---

Diskette Write - Write protection for floppy disk drive .....	28
Flash Write - Write protection for System BIOS .....	28
Soft Power Off .....	28
Remote Power On .....	28
Power menu - Setting energy saving functions .....	29
APM .....	29
Power Management Mode.....	30
Standby Timeout .....	30
Hard Disk Timeout.....	30
Standby CPU Speed .....	31
Wakeup Event .....	32
Exit menu - Exiting BIOS Setup.....	33
Save Changes & Exit.....	33
Discard Changes & Exit .....	33
Get Default Values .....	33
Load Previous Values.....	33
Save Changes .....	33
<b>Jumper settings.....</b>	<b>35</b>
Write protection for System BIOS - jumper FLP .....	35
Recovering System BIOS - jumper RCV .....	36
Write protection for floppy disk drive - jumper FDP .....	36
Clock speed - jumper F0-F2 and CF0-CF3 .....	37
<b>Add-on modules .....</b>	<b>39</b>
Upgrading main memory .....	39
Installing memory modules .....	40
Removing a memory module.....	40
Replacing the processor.....	41
Replacing the lithium battery.....	43
<b>Error messages.....</b>	<b>45</b>
<b>Messages d'erreur.....</b>	<b>47</b>
<b>Mensajes de error .....</b>	<b>49</b>
<b>Messagi di errore .....</b>	<b>51</b>
<b>Felmeddelanden .....</b>	<b>53</b>



**Foutmeldingen**..... 55

**Index**..... 57



---

# Introduction

This description applies for the system board D931 with PCI bus (Peripheral Component Interconnect).

## Notational conventions

The meanings of the symbols and fonts used in this manual are as follows:



This indicates instructions which it is essential to observe. Failure to do so may endanger your health, the operational integrity and electrical safety of your PC, or the security of your data.



This symbol is followed by supplementary information, remarks and tips.

► Texts which follow this symbol describe activities that must be performed in the order shown.

□ This symbol means that you must enter a blank space at this point.



This symbol means that you must press the Enter key.

Texts in this typeface are screen outputs from the PC.

**Texts in this bold typeface** are the entries you make via the keyboard.

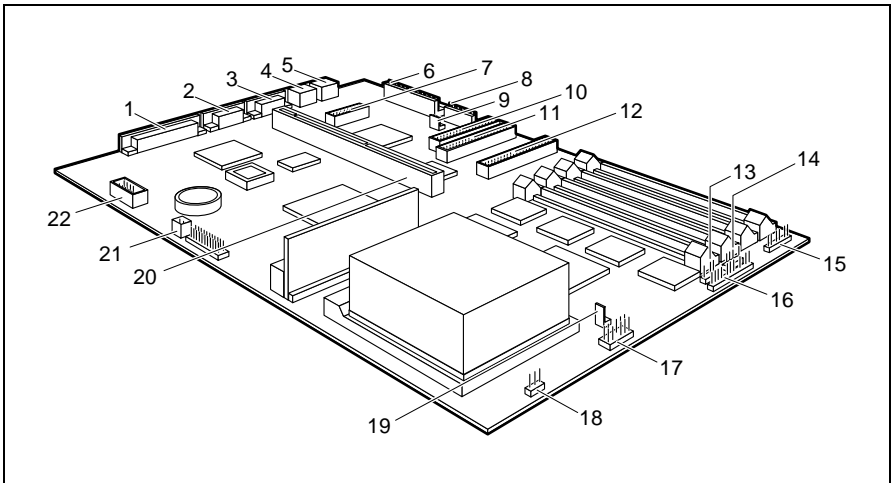
*Texts in italics* indicate commands or menu items.

"Quotation marks" indicate highlighted text and names of chapters."

## Features

- 64-bit microprocessor Pentium with 16 Kbytes internal cache (first-Level Cache, 8 Kbytes data cache, 8 Kbytes address cache) or OverDrive processor for Pentium Pro
- Memory configuration on system board: 8 Mbytes to 256 Mbytes
- 256 Kbytes Flash BIOS
- PCI bus
- IDE hard disk controller connected to PCI bus for up to four IDE drives (e.g. IDE hard disk drives, ATAPI CD ROM drive)
- Real-time clock/calendar with integrated battery backup
- Floppy disk controller (up to 2.88 Mbytes format)
- Bus interface for platter
- Connector for remote-on (fax/modem board), serial port (SER2, TTL), chipcard reader and infrared interface
- Parallel port (ECP- and EPP-compatible)
- 2 serial ports
- PS/2 mouse port
- PS/2 keyboard port
- Piezo loudspeaker
- Security functions

## Ports and connectors



- |                                                                   |                                                          |
|-------------------------------------------------------------------|----------------------------------------------------------|
| 1 = Parallel interface                                            | 12 = Connector 2 for IDE drives 3 and 4                  |
| 2 = Serial port 2                                                 | 13 = Connector for device loudspeaker                    |
| 3 = Serial port 1                                                 | 14 = Connector for infrared interface                    |
| 4 = PS/2 mouse port                                               | 15 = Connector for LED indicators                        |
| 5 = PS/2 keyboard port                                            | 16 = Connector for LED indicators                        |
| 6 = Connector for power supply                                    | 17 = Connector for infrared interface and LED indicators |
| 7 = Connector for chipcard reader connection                      | 18 = Connector for fan                                   |
| 8 = Connector for power supply 3,3 V                              | 19 = Connector for On/Off switch                         |
| 9 = Soft off power supply                                         | 20 = Bus interface                                       |
| 10 = Connector for floppy disk drive                              | 21 = Connector for remote-on                             |
| 11 = Connector 1 for IDE drives 1 and 2<br>(e.g. hard disk drive) | 22 = Connector for Serial port 2 SER2 (TTL)              |

The connectors marked do not have to be present on the system board.



If the connector for the chipcard reader port is used, no device may be connected to serial interface 1.

If the connector for the serial interface SER2 (TTL) is used, no device may be connected to the serial interface 2.

## Interrupt table

	Address	Assigned IRQ	Possible IRQ
Keyboard		IRQ1	
Cascade		IRQ2	
COM2 dispatcher	02F8	IRQ3	
Serial interface COM1	03F8	IRQ4	
		IRQ5	
Floppy disk drive controller		IRQ6	
Parallel interface LPT1		IRQ7	
RTC		IRQ8	
		IRQ9	
		IRQ10	
		IRQ11	
Mouse controller		IRQ12	
Numeric processor		IRQ13	
IDE controller 1		IRQ14	
IDE controller 2		IRQ15	

„Assigned IRQ“ = interrupts assigned as shipped

„Possible IRQ“ = these interrupts can be used for your particular application



Please note that an interrupt cannot be used by two applications at the same time.

---

## Important Notes



Be sure to read this page carefully and note the information before you open the PC.

Please note the information provided in the chapter "Safety" in the Operating Manual of the PC.

Incorrect replacement of the lithium battery may lead to a risk of explosion. It is therefore essential to observe the instructions in the section "[Replacing the lithium battery](#)".

The lithium battery must be replaced with an identical battery or a battery type recommended by the manufacturer (CR2032).

Do not throw lithium batteries into the trashcan. Your vendor or dealer or their authorized representatives will take used batteries back free of charge so that they can be recycled or disposed of in the proper manner.

Connecting cable for peripherals must be adequately insulated to avoid interference.

### ADVARSEL



Lithiumbatteri - Eksplosionsfare ved fejlagtig håndtering. Udskiftning må kun ske med batteri af samme fabrikat og type. Lever det brugte batteri tilbage til leverandøren.

### ADVARSEL



Eksplosjonsfare ved feilaktig skifte av batteri. Benytt samme batteritype eller en tilsvarende type anbefalt av apparatfabrikanten. Brukte batterier kasseres i henhold til fabrikantens instruksjoner.

### VARNING



Eksplosionsfara vid felaktigt batteribyte. Använd samma batterityp eller en ekvivalent typ som rekommenderas av apparattillverkarenfabrikanten. Kassera använt batteri enligt fabrikantens instruktion.

### VAROITUS



Paristo voi räjähtää, jos se on virheellisesti asennettu. Vaihda paristo ainoastaan laitevalmistajan suosittelemaan tyyppiin. Hävitä käytetty paristo valmistajan ohjeiden mukaisesti.

## Modules with ESDs

Modules with electrostatic sensitive devices (ESD) may be identified by labels.



When you handle modules fitted with ESDs, you must observe the following points under all circumstances:

- When you handle modules fitted with ESDs, you must always discharge yourself (e.g. by touching a grounded object) before working.
- The equipment and tools you use must be free of static charges.
- Pull out the power plug before inserting or pulling out modules containing ESDs.
- Always hold modules with ESDs by their edges.
- Never touch pins or conductors on modules fitted with ESDs.

## **CE certificate**



This board complies with the requirements of the EEC directive 89/336/EEC with regard to "Electromagnetic compatibility". Conformity was tested in the typical configuration of a Personal Computer.

When installing the board, observe the specific installation notes in the Operating Manual or Technical Manual for the appropriate device.

## **Program with time loops**

Problems can occur with programs in which time loops have been implemented through software loops. This applies in particular to older programs which were written for 8 MHz processors.



---

# Settings in BIOS Setup

The *BIOS Setup* menu allows you to set your hardware configuration and system functions. In addition, the *BIOS Setup* displays technical information on the PC's configuration.

When it is supplied, the PC is set to factory default settings which you can alter in the *BIOS Setup* menus. Any changes you make take effect as soon as you save the settings and quit the *BIOS Setup*.

The Operating Manual describes how to call the *BIOS Setup* and change menu entries.

You can select the following settings in the BIOS Setup:

Main - system functions

Advanced - advanced system configuration

*Security* - security features

*Power* - energy saving functions

*Exit* - save and quit



The various menus are described below with all setting options. Since the setting options depend on your PC's hardware configuration, some of them may not be offered in the BIOS setup.

## Main menu - System settings

In the Main menu you can set up the following:

- Time (in the field marked *System Time*)
- Date (in the field marked *System Date*)
- Floppy disk drive (in the field marked *Diskette A or Diskette B*)
- Hard disk drive (in the submenus of *Hard Disk*)
- System boot (in the submenus of *Boot Options*)
- Display device (in the field marked *Video Display*)

Phoenix BIOS Setup Copyright 1985-94 Phoenix Technologies Ltd.	
<b>Main</b>	Advanced Security Power Exit
System Time: [07:42:19] System Date: [08/11/1995]	Item Specific Help
Diskette A: [1.4M] Diskette B: [None]	
▶ Hard Disk 1: 850 Mbyte ▶ Hard Disk 2: None ▶ Hard Disk 3: None ▶ Hard Disk 4: None	
▶ Boot Options	
Video Display: [EGA/VGA]	
Base Memory: 640K Extended Memory: 7M	
F1 Help ESC Exit	↑↓ Select Item ←→ Select Menu
-/+ Enter	Change Values Execute Command
F9 F7	Setup Defaults Previous Values

Example for *Main* menu

## System Time / System Date

The *System Time* field and the *System Date* field show the time and date respectively according to the PC. The time is shown in the format hh:mm:ss (hours:minutes:seconds) and the date is shown in the format mm/dd/yyyy (month/day/year).



If the settings in the *System Time* and *System Date* fields are frequently wrong when you power up the computer, the lithium battery is dead. Change the battery as described in "[Replacing the lithium battery](#)".

## Diskette A / Diskette B

These two fields are used to specify the type of floppy disk drive installed. 360K, 720K, 1.2M, 1.4M, 2.8M

The entry depends on the floppy disk drive installed.  
(Default entry Diskette A : 1.4M)

None A floppy disk drive is not installed.  
(Default entry for Diskette B:)

## Hard Disk 1 to Hard Disk 4

call the submenu to make corresponding settings of the IDE hard disk drive.



You should change the default settings only if you are connecting an additional IDE drive to one of the two IDE connectors.

The maximum transfer rate of two IDE drives connected to the same connector is determined by the slower of the two. Fast hard disks should therefore be connected to the first IDE connector and identified as *Hard Disk 1* or *Hard Disk 2*; slower hard disks or other IDE drives (e.g. CD ROM drives) should be connected to the second IDE connector and identified as *Hard Disk 3* or *Hard Disk 4*.

The following description of the setting options for *Hard Disk 1* also applies to *Hard Disk 2*, *Hard Disk 3* and *Hard Disk 4*. The default settings depend on the installed drive.

Phoenix BIOS Setup Copyright 1985-94 Phoenix Technologies Ltd.		
<b>Main</b>		
Hard Disk 1:	850 Mbyte	Item Specific Help
Autotype Hard Disk:	[Press Enter]	
Type:	[User]	
Cylinders:	[ 1654]	
Heads:	[ 16]	
Sectors/Track:	[ 63]	
Write Precomp:	[None]	
Transfer Mode:	[Standard]	
LBA Translation:	[Disabled]	
PIO Mode:	[Standard]	
32 Bit I/O:	[Enabled]	
F1 Help	↑ Select Item	-/+ Change Values
ESC Exit	←→ Select Menu	Enter Execute Command
		F9 Setup Defaults
		F7 Previous Values

Example for the submenu *Hard Disk 1*



Only if you have installed a new unrecorded IDE hard disk drive, you should mark the *Autotype Hard Disk* field.

If you have set the hard disk parameters with *Autotype Hard Disk*, you can only reduce the values.

If you have installed a new unrecorded IDE hard disk drive, you should mark the *Autotype Hard Disk* field and press Enter. This has the effect of setting the optimum values for the IDE hard disk drive. You can change these values if you set the *Type* field to *User*.

**Type - Hard Disk Type**

This field is used to specify the type of hard disk drive installed.

- None* You cannot change the hard disk parameters (*Cylinders, Heads, Sector/Track* and *Write Precomp*). An IDE drive has not been installed.
- 1 to 39* The hard disk parameters (*Cylinders, Heads, etc.*) are preset.
- Auto* If the hard disk supports this mode, the setup menu reads the hard disk parameters from the disk itself and sets them automatically. You do not need to select the parameters yourself.
- User* You can enter the hard disk parameters (*Cylinders, Heads etc.*) yourself.  
If you have set the hard disk parameters with *Autotype Hard Disk*, you can only reduce the values.

Examples of user-defined entries (IDE drives):

hard disk parameter	hard disk capacity		
	850 Mbyte	1 Gbyte	1,6 Gbyte
Cylinders	1654	2097	3148
Heads	16	16	16
Sectors	63	63	63
Write Precomp	None	None	None

- CD* If an ATAPI CD-ROM drive is mounted, this entry enables you to boot from the CD-ROM drive.

**Cylinders, Heads, Sectors/Track, Write Precomp - hard disk parameter**

These hard disk parameters are set in accordance with the IDE hard disk drive. If you want to change the hard disk parameters manually, set the *Type* field to *User*.

**Transfer Mode**

This field specifies the transfer mode for the IDE hard disk drive.

*Standard*      One block is transferred for each interrupt (default entry).

*2 Sectors, 4 Sectors, 6 Sectors, 8 Sectors, 16 Sectors*

The set number of blocks (sectors) is transferred for each interrupt.

**LBA Translation**

This field enables and disables the LBA (Logical Block Addressing) mode. LBA mode allows you to install and use hard disks with a capacity of more than 528 Mbytes. If a hard disk supports LBA mode, you can use the full capacity of the IDE hard disk.

The default entry depends on the installed IDE hard disk drive. Change the default entries only if you are installing another hard disk drive.



You may only use IDE drives in the LBA mode selected when they were set up. In other words, if you set up a hard disk with LBA mode *disabled*, you may only operate the hard disk with LBA mode *disabled*.

*Enabled*      If the hard disk supports LBA and it has a capacity of more than 528 Mbytes, the BIOS translates the hard disk parameters, allowing the disk's full capacity to be used.

If the hard disk does not support LBA, its parameters are not translated.

*Disabled*      The BIOS uses the hard disk parameters and supports a maximum capacity of 528 Mbytes.

**PIO Mode**

The PIO (Programmed Input Output) Mode defines the transfer rate of the IDE hard disk drive.

*Standard*      0,8 Mbyte/s to 2 Mbytes/s (default entry)

*Fast PIO 1*      2 Mbytes/s to 4 Mbytes/s

*Fast PIO 2*      4 Mbytes/s to 5 Mbytes/s

*Fast PIO 3*      5 Mbytes/s to 10 Mbytes/s

*Fast PIO 4*      10 Mbyte/s to 16 Mbyte/s



**Quick Boot**

can reduce the extent of the self-test and thus accelerate the system startup.

*Enabled* When the PC is switched on, the quick self-test is carried out, in which the floppy disk drives are not checked.

*Disabled* When the PC is switched on, the complete PC configuration is tested (default entry).

**Boot Sequence**

defines the sequence in which the system BIOS searches the drives for system files to start the operating system. If you wish to change this sequence, place the cursor on the entry for the drive you to which wish to move forward ( key) or back

( key).

Default entry:

1. *Diskette*
2. *Hard Disk*
3. *CD ROM*

**Video Display**

This field is used to specify the type of monitor connected.

EGA/VGA, Color 80, Monochrome

Default entry: EGA/VGA

**Base Memory**

This field indicates the size of the available base memory below 1 Mbyte.

**Extended Memory**

This field indicates the size of the memory above 1 Mbyte.

## Menu Advanced - Making advanced system settings



Change the default settings only for special applications. Incorrect settings can cause malfunctions.

You can make the following system settings in the *Advanced* menu:

- Cache (in the *Cache Memory* submenu)
- Copy BIOS sections to the RAM (in the *Shadow Memory* submenu)
- Interfaces and controllers (in the *Peripheral Configuration* submenu)
- PCI functionality (in the *PCI Configuration* submenu)
- Data access to hard disk (in the *Advanced System Configuration* submenu)
- Plug&Play functionality (in the *Plug and Play O/S* field)
- Configuration data (in the *Reset Configuration Data* field)
- Hard disk access (in the *Large Disk Access Mode* field)

Phoenix BIOS Setup Copyright 1985-94 Phoenix Technologies Ltd.					
Main	<b>Advanced</b>	Security	Power	Exit	
<p style="text-align: center;">Warning!</p> <p>Setting items on this menu to incorrect values may cause your system to malfunction.</p> <ul style="list-style-type: none"> <li>▶ Cache Memory</li> <li>▶ Shadow Memory</li> <li>▶ Peripheral Configuration</li> <li>▶ PCI Configuration</li> <li>▶ Advanced System Configuration</li> </ul> <p>Plug &amp; Play O/S: [Yes]</p> <p>Reset Configuration Data: [No]</p> <p>Large Disk Access Mode: [DOS]</p>			<p>Item Specific Help</p> <hr/>		
F1 Help	↑↓ Select Item	-/+ Change Values	F9 Setup Defaults		
ESC Exit	←→ Select Menu	Enter Execute Command	F7 Previous Values		

Example for the *Advanced* menu



## Cache Memory

calls the submenu in which you can make the settings for cache

Phoenix BIOS Setup Copyright 1985-94 Phoenix Technologies Ltd. <b>Advanced</b>	
Cache Memory	Item Specific Help
Cache: [Enabled]  Cache System BIOS Area: [Write Protect] Cache Video BIOS Area: [Write Protect] Cache DRAM Memory Area: [Write Back]  Cache Memory Regions: C800 - CBFF: [Disabled] CC00 - CFFF: [Disabled] D000 - D3FF: [Disabled] D400 - D7FF: [Disabled] D800 - DBFF: [Disabled] DC00 - DFFF: [Disabled]	
F1 Help	↓ Select Item -/+ Change Values F9 Setup Defaults
ESC Exit	←→ Select Menu Enter Execute Command F7 Previous Values

Example for submenu *Cache Memory*

### Cache

This field switches the cache on and off. The cache is a buffer to which parts of the main memory and BIOS can be temporarily copied. The PC's performance is higher when the cache is switched on.

You must disable the cache if :

- the access time is too short for older applications
- you are installing *OS/2 Warp*.

*Enabled*           The cache is used.

*Disabled*         The cache is disabled All cache-related settings are then without effect.

**Cache System BIOS Area / Cache Video BIOS Area**

Prerequisite: The *Cache* field must contain *Enabled*.

The video BIOS and the System BIOS can be mapped in the cache using *Cache System BIOS Area* and *Cache Video BIOS Area*. If the contents of the BIOS are in the cache, the device's performance is enhanced.

*Write Protect* The corresponding BIOS (write access) is mapped in the cache (Default entry).

*Disabled* The contents of the memory are not mapped in the cache .

**Cache DRAM Memory Area**

Prerequisite: The *Cache* field must contain *Enabled*.

Parts of the main memory can be mapped in the cache using *Cache DRAM Memory Area*. If the contents of the memory are in the cache, the device's performance is enhanced.

*Write Through* The contents of the memory are simultaneously mapped in the cache and written in the main memory. The main memory and the cache contain the same information.

*Write Back* The contents of the memory are mapped in the cache and written in the main memory only as required. The main memory and the cache do not contain the same information. (Default entry)

*Disabled* The contents of the memory are not mapped in the cache .

**Cache Memory Regions**

Condition: The *Cache* field must be set to *Intern* only or *Intern* and *Extern*.

*Cache Memory Regions* lets you specify the BIOS ROM areas that should be mapped to the cache. Mapping the BIOS ROM areas to the cache increases system performance.

*Enabled* The relevant ROM area is mapped to the cache.

*Disabled* The relevant ROM area is not mapped to the cache (default entry).

## Shadow Memory

calls the submenu in which you can specify which parts of the ROM (Read Only Memory) are to be copied to the faster RAM (Random Access Memory) at system startup.

Phoenix BIOS Setup Copyright 1985-94 Phoenix Technologies Ltd.					
<b>Advanced</b>					
Shadow Memory			Item Specific Help		
System Shadow: Enabled Video Shadow: [Enabled]					
Shadow Memory Regions:					
C800 - CBFF: [Disabled]					
CC00 - CFFF: [Disabled]					
D000 - D3FF: [Disabled]					
D400 - D7FF: [Disabled]					
D800 - DBFF: [Disabled]					
DC00 - DFFF: [Disabled]					
F1 Help	↑ Select Item	-/+ Change Values	F9 Setup Defaults		
ESC Exit	←→ Select Menu	Enter Execute Command	F7 Previous Values		

Example for submenu *Shadow Memory*

### System Shadow

This field is always *Enabled*, because the System BIOS is automatically copied to the faster RAM.

### Video Shadow

This field allows you to copy the video BIOS to fast RAM. Copying the video BIOS to fast RAM increases system performance.

*Enabled* The video BIOS is copied to fast RAM (default entry).

*Disabled* The video BIOS is not copied to fast RAM. This setting is not effective unless an external monitor controller is used.

### Shadow Memory Regions

*Shadow Memory Regions* allows you to copy ROM areas to fast RAM. Copying ROM areas to fast RAM increases system performance.

*Enabled*            The ROM area is copied to fast RAM.

*Disabled*          The ROM area is not copied to fast RAM (default entry).

### Peripheral Configuration

calls the submenu in which you can set the interfaces and controllers.

Phoenix BIOS Setup Copyright 1985-94 Phoenix Technologies Ltd.					
<b>Advanced</b>					
Peripheral Configuration			Item Specific Help		
Serial 1:		[Auto]			
Serial 2:		[Auto]			
Serial 2 Mode:		[Standard]			
Parallel:		[Auto]			
Parallel Mode:		[Printer]			
Diskette Controller:		[Enabled]			
Hard Disk Controller:		[Primary And Secondary]			
Mouse Controller:		[Enabled]			
F1 Help	↑↓	Select Item	-/+	Change Values	F9 Setup Defaults
ESC Exit	←→	Select Menu	Enter	Execute Command	F7 Previous Values

Example for submenu *Peripheral Configuration*

**Serial 1 / Serial 2 - Serial port**

This field selects the address and the interrupt used to access the relevant serial port.

*3F8h, IRQ4, 2F8h, IRQ3, 3E8h, IRQ4, 2E8h, IRQ3,*

The serial port is set to the shown address and interrupt.

*Auto*

The serial port is automatically set to the next available combination (address, interrupt) (Default entry).

*Disabled*

The serial port is disabled. The corresponding interrupt and address are free.

**Serial 2 Mode**

This field defines whether the second serial port is used as the standard port or as the infrared interface.

If you wish to use infrared data transfer, an infrared interface with the associated hardware must be incorporated in the device.

*Standard*

The port operates as a serial port. (Default)

*IRDA*

(Infra-Red Data Association) The serial port permits infrared data transfer up to 115 kbit/s. External serial port 2 does not function.

**Parallel**

This field selects the address and the interrupt used to access the parallel port.

*378h, IRQ7, 278h, IRQ5, 3BCh, IRQ7*

The parallel port is set to the shown address and interrupt.

*Auto*

The parallel port is automatically set to the next available combination (address, interrupt) (Default entry).

*Disabled*

The parallel port is disabled.

**Parallel Mode**

This field is used to specify whether the parallel port is to be used as a bi-directional input/output port or just as an output port. *ECP* and *EPP* transfer modes allow faster transfer rates of 2 and 2.4 Mbytes/s. These modes will only work with peripheral devices which support them. The field Parallel must be set to *378h* or *278h*.

<i>Printer</i>	The port functions as an output port only (default entry).
<i>Bidirection</i>	Data can be transferred in both directions across the port.
<i>EPP</i>	Fast transfer mode (up to 2 Mbytes/s), can output and receive data. Requires a peripheral device which supports the EPP (Enhanced Parallel Port) transfer mode.
<i>ECP</i>	Fast transfer mode (up to 2.4 Mbytes/s), can output and receive data. Requires a peripheral device which supports the ECP (Enhanced Capability Port) transfer mode.

**Diskette Controller**

This field is used to enable and disable the built-in floppy disk controller on the system board.

<i>Enabled</i>	The floppy disk controller is enabled - IRQ 6 is used (default entry).
<i>Disabled</i>	The floppy disk controller is disabled - IRQ 6 is free.

**Hard Disk Controller**

This field allows you to enable and disable the built-in IDE hard disk controller. The associated interrupts (IRQ 14 for the first connector, IRQ 15 for the second connector) will only be available if no hard disk is physically connected.

<i>Primary</i>	The first IDE hard disk controller is enabled (default entry). Two IDE drives (preferably high-speed hard disks) can be attached to the first (primary) connector. IRQ14 is occupied.
<i>Primary And Secondary</i>	Primary and secondary IDE drive controllers are activated (default entry). Up to four IDE drives can be connected. Low-speed drives are preferred for the second (secondary) connector (e.g. CD-ROM). IRQ14 and IRQ15 are occupied.
<i>Disabled</i>	The IDE hard disk controller is disabled.

**Mouse Controller**

This field is used to enable and disable the built-in mouse controller on the system board.

<i>Enabled</i>	The mouse controller is enabled - IRQ 12 is used (default entry).
----------------	-------------------------------------------------------------------

*Disabled*      The mouse controller is disabled - IRQ 12 is free.

## PCI Configuration

calls the submenu in which you can make the settings for the PCI slots.

Phoenix BIOS Setup Copyright 1985-94 Phoenix Technologies Ltd.					
<b>Advanced</b>					
PCI Configuration			Item Specific Help		
PCI Interrupt Mapping INTA#: [Auto] PCI Interrupt Mapping INTB#: [Auto] PCI Interrupt Mapping INTC#: [Auto] PCI Interrupt Mapping INTD#: [Auto]					
PCI Device, Slot #1 Default Latency Timer:      [Yes] Latency Timer:              [0040]					
PCI Device, Slot #2 Default Latency Timer:      [Yes] Latency Timer:              [0040]					
PCI Device, Slot #3 Default Latency Timer:      [Yes] Latency Timer:              [0040]					
F1 Help	↓ Select Item	-/+ Change Values	F9 Setup Defaults		
ESC Exit	↔ Select Menu	Enter Execute Command	F7 Previous Values		

Example for submenu *PCI Configuration*

**PCI Interrupt Mapping INTx#**

defines which PCI interrupt is switched to which ISA interrupt.

With multifunctional PCI boards, all PCI interrupts can be used. The controllers on the system board do not need any PCI interrupts.

If you use a setting other than *Auto*, the Plug&Play functionality of the system BIOS for PCI boards is deactivated.

With monofunctional PCI boards, the PCI interrupts are designed as follows:

PCI slot 1 = INTA#, PCI slot 2 = INTB#, PCI slot 3 = INTC#

*Auto* The PCI interrupts are assigned automatically in accordance with the Plug&Play guidelines (default entry).

*Disabled* No PCI interrupt is used for the PCI board in the assigned PCI slot. *IRQ03, IRQ04, IRQ05, IRQ06, IRQ07, IRQ09, IRQ10, IRQ11, IRQ12, IRQ14, IRQ15*

The PCI interrupt is switched to the selected ISA interrupt. You may not select an ISA interrupt that is used by a component on the system board (e.g. controller) or an ISA board.

**PCI Device, Slot #n: Default Latency Timer**

specifies the lowest number of clock cycles in which a PCI master module can be active at the PCI bus. *n* stands for the number of the PCI slot.

*Yes* The value predefined by the PCI module is accepted. The entry in the corresponding field for *PCI Device, Slot #n: Latency Timer* is ignored. (Default entry)

*No* The value predefined by the PCI module is ignored. The value set in the corresponding field for *PCI Device, Slot #n: Latency Timer* determines the number of clock cycles.

**PCI Device, Slot #n: Latency Timer**

Condition: the corresponding field for *PCI Device, Slot #n: Default Latency Timer* must be set to *No*.

The field defines the lowest number of clock cycles in which a burst can be transferred on the PCI bus. *n* stands for the number of the PCI slot.

*0000h* to *0280h* Number of clock cycles (default entry = *0040h*).

**Advanced System Configuration**

calls the submenu in which you can make additional settings.

Phoenix BIOS Setup Copyright 1985-94 Phoenix Technologies Ltd. <b>Advanced</b>	
Advanced System Configuration	Item Specific Help



Hard Disk Read Ahead 1:	[Disabled]	
Hard Disk Read Ahead 2:	[Disabled]	
F1 Help	↓ Select Item	-/+ Change Values
ESC Exit	←→ Select Menu	Enter Execute Command
		F9 Setup Defaults
		F7 Previous Values

Example for submenu *Advanced System Configuration*

### Hard Disk Read Ahead x

*Enabled* More data is read in than necessary each time the hard disk is accessed. The additional data is buffered and is available for the next data access. This enhances the performance of hard disk access.

*Disabled* The data required is read in each time the hard disk is accessed. You must select this setting if you install Windows NT or OS/2 Warp. (Default entry)

### Plug & Play O/S

defines the Plug&Play functionality. Plug&Play means that inserted modules are automatically recognized and installed if they support Plug&Play.

*Yes* The operating system takes over some of the Plug&Play functions (default entry). You should select this setting only if the operating system supports Plug&Play.

*No* The BIOS takes over the complete Plug&Play functionality.

### Reset Configuration Data

This field specifies whether the configuration data is reset and reinitialized when the PC is started.

*Yes* When the PC is started the old configuration data is reset. The new configuration data is determined by means of the Plug&Play functionality. The mounted modules and drives are then initialized with this data.

No                    When the PC is started, the Plug&Play functionality ascertains the current configuration data and uses it to initialize the installed modules and drives. The configuration data of non-Plug&Play components is not reset (default entry).

## **Large Disk Access Mode**

specifies the type of hard disk access for large hard disks (more than 1024 cylinders, 16 heads). The default setting depends on the operating system used.

DOS                    the operating system uses MS-DOS-compatible hard disk accesses.

Other                    If the operating system uses hard disk accesses which are not MS-DOS-compatible (e.g. Novell, SCO Unix).

## Menu Security - Setting up the security features

You can set up the following security features in the *Security* menu:

- Protecting BIOS Setup (in the field marked *Set Setup Password*)
- Protecting BIOS of add-on modules (in the field marked *Setup Password Lock*)
- Protecting system boots (in the field marked *Set System Password*)
- Locking input devices (in the field marked *System Password Mode*)
- Prevention of system boots from floppy disk (in the field marked *System Load*)
- Virus Warning (in the field marked *Virus Warning*)
- Prevention of write operations to floppy disk (in the field marked *Diskette Write*)
- Write protection of System BIOS (in the field marked *Flash Write*)
- Switching off by software (in the field marked *Soft Power Off*)
- Remote Power On (in the field marked *Remote Power On*)

Phoenix BIOS Setup Copyright 1985-94 Phoenix Technologies Ltd.		
Main	Advanced	<b>Security</b> Power    Exit
Setup Password	Not Installed	Item Specific Help
System Password	Not Installed	
Set Setup Password:	[Press Enter]	
Setup Password Lock:	[Standard]	
Set System Password:	[Press Enter]	
System Password Mode:	[System]	
System Load:	[Standard]	
Setup Prompt:	[Enabled]	
Virus Warning:	[Disabled]	
Diskette Write:	[Enabled]	
Flash Write:	[Enabled]	
Soft Power Off:	[Enabled]	
Remote Power On:	[Enabled]	
F1 Help	↓ Select Item	-/+ Change Values
ESC Exit	↔ Select Menu	Enter Execute Command
		F9 Setup Defaults
		F7 Previous Values

Example for *Security* menu

### Setup Password / System Password

This field indicates whether the appropriate password is installed or not.

## Set Setup Password

This field enables you to install the setup password. The setup password prevents unauthorized callup of the BIOS setup.

Mark the field and press the Return key. You can then enter and confirm the setup password (see also the PC Operating Manual).

## Setup Password Lock

specifies the effect of the Setup Password. The setting in this field takes effect as soon as a Setup Password has been installed.

*Standard*      Setup Password prevents unauthorized calls of the BIOS Setup. (Default entry).

*Extended*      The Setup Password prevents unauthorized calls of the BIOS Setup and locks the keyboard when the PC is initialized. This prevents unauthorized access to settings for installed boards with a BIOS of their own.

## Set System Password

Condition: the setup password must be installed.

This field enables you to install the system password. The system password prevents unauthorized access to your system.

Mark the field and press the Return key. You can then enter and confirm the system password (see also the PC Operating Manual).

## System Password Mode

specifies the effect of the system password. The setting in this field becomes effective as soon as a system password is installed.

*System*          When the PC is started, the system password enables the operating system to be booted. (Default).

*Keyboard*      When the PC is started, the operating system is booted and the keyboard and mouse are locked. The system password unlocks the keyboard and mouse.

## System Load

This field specifies the drive from which the operating system can be loaded.

*Standard*            The operating system can be loaded from floppy disk or hard disk (default entry).

*Diskette Lock*        The operating system can only be loaded from hard disk.

## Setup Prompt

This field specifies whether the message `Press F2 to enter SETUP` is displayed when the PC is rebooted.

*Enabled*              The message `Press F2 to enter SETUP` is displayed when the system is started (default entry).

*Disabled*             The message is not displayed.

## Virus Warning

This field checks the boot sectors of the hard disk drive to see if any changes have been made since the previous system startup. If they have been changed and the reason for this is unknown, a program for finding computer viruses should be loaded.

*Enabled*              If the boot sector has been changed since the previous system startup (e.g. new operating system or virus attack), a warning is displayed. The warning stays on the screen until you acknowledge the changes with *Confirm* or deactivate the function (*Disabled*).

*Confirm*              This entry confirms a required change in a boot sector (e.g. new operating system).

*Disabled*             The boot sectors are not checked (default entry).

## Diskette Write - Write protection for floppy disk drive

This field is used to enable and disable floppy disk write-protection.

*Enabled* Floppy disks can be read, written or deleted, provided jumper FDP is not inserted (default entry).

*Disabled* Floppy disks can only be read.

## Flash Write - Write protection for System BIOS

This field can assign write protection to the System BIOS.

*Enabled* The System BIOS can be written to or deleted, provided jumper FLP is not inserted (default entry). BIOS update from floppy disk is possible.

*Disabled* The System BIOS can neither be written to nor deleted. BIOS update from floppy disk is not possible

## Soft Power Off

This field specifies whether the PC can be switched off with a program (e.g. SWOFF).

*Enabled* The PC can be switched off with a program (default entry).

*Disabled* The PC cannot be switched off with a program.

## Remote Power On

specifies whether the PC can be switched on from an external device (e.g. fax).

*Enabled* The PC can be switched on from an external device (default entry).

*Disabled* The PC cannot be switched on from an external device.

## Power menu - Setting energy saving functions

Programs for power management (e.g. *POWER.EXE*) can change the settings for the energy saving functions.

You can set the following functions in the *Power* menu:

- Enabling of APM interface (in the *Advanced Power Management* field)
- Extent of energy saving functions (in the *Power Management Mode* field)
- Standby mode (in the *Standby Timeout* field)
- Hard disk energy saving functions (in the *Hard Disk Timeout* field)
- Processor speed in standby mode (in the *Standby CPU Speed* field)
- Defining system activities (in the *Wakeup Event* field)

Phoenix BIOS Setup Copyright 1985-94 Phoenix Technologies Ltd.					
Main	Advanced	Security	<b>Power</b>	Exit	
APM			[Enabled]		Item Specific Help
Power Management Mode:			[Customize]		
Standby Timeout:			[15 min]		
Hard Disk Timeout:			[10 min]		
Standby CPU Speed:			[Medium]		
▶ Wakeup Event					
F1 Help	↑ Select Item	-/+ Change Values	F9 Setup Defaults		
ESC Exit	←→ Select Menu	Enter Execute Command	F7 Previous Values		

Example for menu *Power*

### APM

Determines whether an operation system can change the power management settings in the system BIOS.

*Enabled* The operating system has access to the power management settings and can change these if necessary (default entry).

*Disabled* Changes can not be made to power management setting by an operating system.

## Power Management Mode

This field defines the extent of the energy saving functions.

*Customize*      The functions set in the fields *Standby Timeout*, *Hard Disk Timeout* and *Standby CPU Speed* are effective in power management (default entry). (Default entry).

*Maximum, Medium or Minimum Power Savings*

These entries call predefined settings, thus determining the extent of energy saving.

*Disabled*      None of the energy saving functions is effective.

## Standby Timeout

Condition: the *Power Management Mode* must be set to *Customize*.

This field defines the amount of time without system activity the PC is to wait before switching to standby mode. In standby mode, the screen is dark and the processor clock is set in accordance with the entry in the *Standby CPU Speed* field. The next wakeup event terminates standby mode again

*2 min, 5 min, 10 min, 15 min, 30 min*

Default entry = *15 min*.

*Disabled*      The PC does not switch to standby mode.

## Hard Disk Timeout

Condition: the *Power Management Mode* must be set to *Customize*.

This field defines the amount of time without system activity before the motor of the hard disk drive is switched off. As soon as there is a hard disk access, the motor is switched back on.

*2 min, 5 min, 10 min, 15 min*

Default entry = *10 min*.

*Disabled*      The PC does not switch off the hard disk drive.



## Standby CPU Speed

Condition: the *Power Management Mode* must be set to *Customize*.

This field specifies the processor's clock speed in standby mode. The entries *High*, *Medium* and *Low* cause programs to run more slowly.

In a network environment the processor's clock speed must be set to *Max*, otherwise data transfer will take place at reduced speed.

<i>Max</i>	Maximum clock speed
<i>High</i>	1/4 of maximum clock speed
<i>Medium</i>	1/8 of maximum clock speed (default entry )
<i>Low</i>	1/16 of maximum clock speed

## Wakeup Event

This field calls the submenu in which you can set the interrupts which are to be evaluated as system activities. When one of these interrupts occurs, the active energy saving mode is terminated.

In a network environment the *Wakeup Event* for the network controller interrupt must be disabled, otherwise the system will not switch to *Standby Mode*.

Phoenix BIOS Setup <b>Power</b>	
Wakeup Event	Item Specific Help
IRQ 1:            Enabled IRQ 3:            [Disabled] IRQ 4:            [Disabled] IRQ 5:            [Disabled] IRQ 6:            [Enabled] IRQ 7:            [Disabled] IRQ 8:            [Disabled] IRQ 9:            [Disabled] IRQ 10:           [Disabled] IRQ 11:           [Disabled] IRQ 12:           [Enabled] IRQ 13:           Disabled IRQ 14:           [Enabled] IRQ 15:           [Enabled]	
F1 Help            ↑↓ Select Item        -/+ Change Values    F9 Setup Defaults ESC Exit          ←→ Select Menu      Enter Select    ► Sub-Menu    F7 Previous Values	

Example for the submenu *Wakeup Event*

*Enabled*            The associated interrupt is evaluated as a system activity.

*Disabled*           The associated interrupt has no effect on the active energy saving mode.

## Exit menu - Exiting BIOS Setup

In the Exit menu, you can save your settings and exit BIOS Setup.

Phoenix BIOS Setup Copyright 1985-94 Phoenix Technologies Ltd.		
Main	Advanced	Security <b>Exit</b>
Save Changes & Exit	Item Specific Help	
Discard Changes & Exit	<hr/>	
Get Default Values		
Load Previous Values		
Save Changes		
F1 Help	↓ Select Item	-/+ Change Values
ESC Exit	← Select Menu	Enter Execute Command
		F9 Setup Defaults
		F7 Previous Values

Example for menu *Exit*

### Save Changes & Exit

saves the settings you have made and exits BIOS Setup.

### Discard Changes & Exit

exits BIOS Setup without saving the new settings.

### Get Default Values

reverts all settings to the default values.

### Load Previous Values

sets the values which were in effect when BIOS Setup was called.

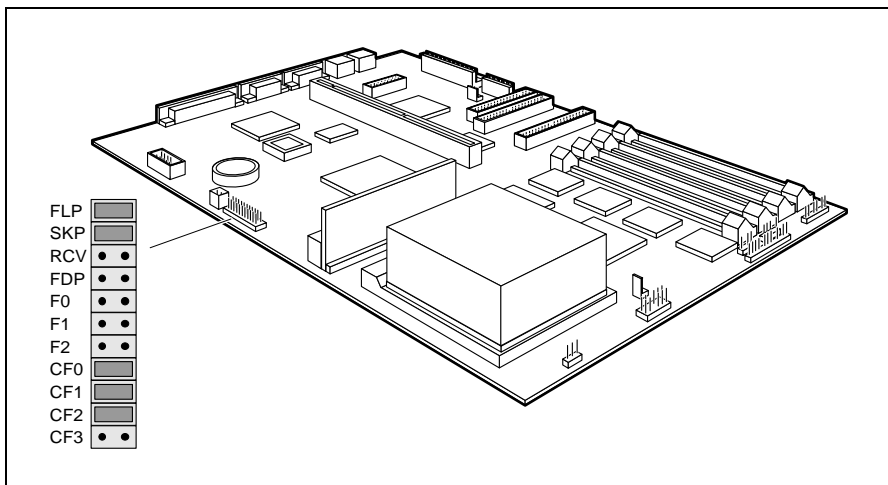
### Save Changes

saves the settings you have made.



---

# Jumper settings



FLP = System BIOS write-protection  
SKP = for future use (do not change)  
RCV = System BIOS recovery

FDP = Floppy disk write-protection  
F0, F1, F2, CF0, CF1, CF2 and CF3 = clock speed

## Write protection for System BIOS - jumper FLP

Jumper FLP enables and disables system BIOS updating. Before an update of the system BIOS can be carried out, write protection for the system BIOS must also be disabled in the *BIOS Setup* (in the *Security* menu, the *Flash Write* field must be set to *Enabled*). If you wish to update your system BIOS, please consult our customer service.

*inserted*                      System BIOS is write protected.  
*not inserted*                System BIOS can be overwritten (default setting).

### Recovering System BIOS - jumper RCV

The jumper RCV enables recovery of the old system BIOS after an attempt to update has failed. Write protection for the System BIOS must be disabled in the BIOS setup and before the System BIOS can be recovered (the FLP jumper must not be inserted and the *Flash Write* field must be set to *Enabled* in the *Security* menu). To restore the old BIOS you need a Flash BIOS disk (call customer service).

- inserted*            The System BIOS executes from floppy drive A: and restores the System BIOS on the system board.
- not inserted*      The System BIOS is started from the system board (default setting).

### Write protection for floppy disk drive - jumper FDP

The jumper FDP is used to define whether floppy disks can be written or deleted in the floppy disk drive. To write and delete floppy disks, the write protection in *BIOS setup* must be disabled (in menu *Security*, the field *Diskette Write* must be set to *Enabled*).

- inserted*            The floppy disk drive is write protected.
- not inserted*      Read, write and delete floppy disks is possible (default setting).

## Clock speed - jumper F0-F2 and CF0-CF3

The setting depends on the processor.



The jumpers may only be set as specified in the table below for the particular processor used.

Pentium Pro	F0	F1	F2	CF0	CF1	CF2	CF3
150 MHz	---	---	---	inserted	inserted	inserted	---
166 MHz	inserted	---	---	inserted	inserted	inserted	---
180 MHz	---	---	---	inserted	inserted	---	inserted
200 MHz	inserted	---	---	inserted	inserted	---	inserted

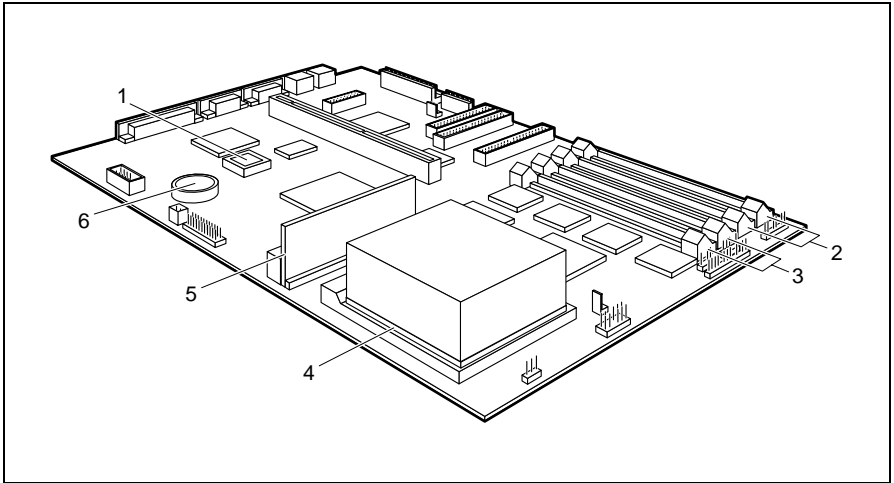
--- = not inserted





---

# Add-on modules



1 = Flash-BIOS

2 = Locations bank 1 for main memory

3 = Locations bank 0 for main memory

4 = Processor with processor fan

5 = Voltage transformer

6 = Lithium battery

## Upgrading main memory

Four locations (bank 0 and bank 1) are available on the system board for installing memory modules. The board supports a maximum of 256 Mbytes.

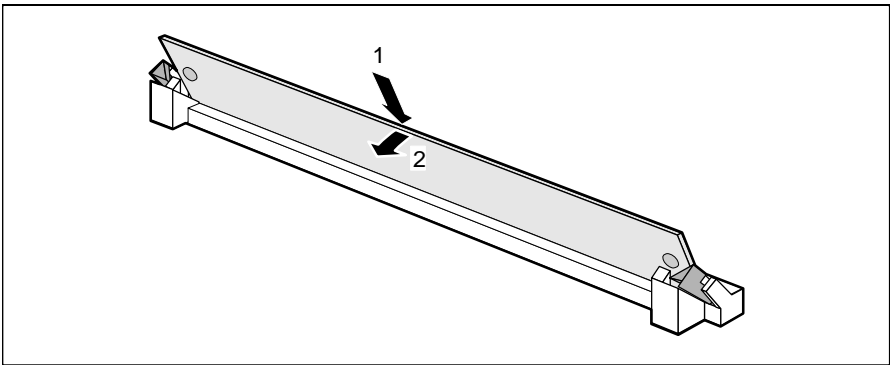
You may use memory modules of 4, 8, 16, 32 or 64 Mbytes with or without parity check.



You may only use fast memory modules (access time = 70ns or less)

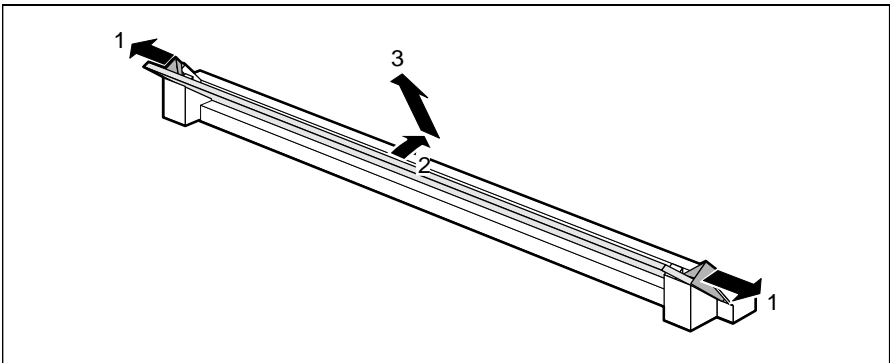
You must always add memory modules in pairs. In other words, you fit the first pair to bank 0, and the second pair in bank 1. You may only use pairs of memory modules which have the same capacity and the same access time.

## Installing memory modules



- ▶ Insert the memory module at an angle into the appropriate location (1). Ensure that the key notch and the two holes are correctly aligned with the retaining pins.
- ▶ Tilt the module down until it snaps into place (2).

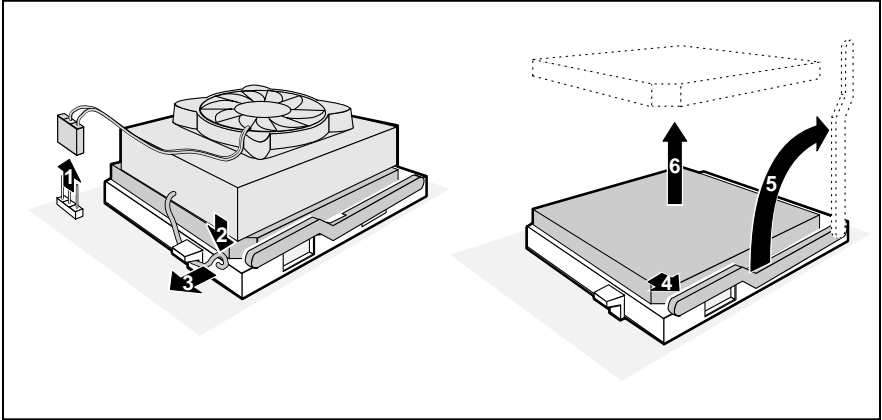
## Removing a memory module



- ▶ Carefully push the retaining clips at each end of the module outwards (1).
- ▶ Tilt the memory module forwards (2), and pull it upwards and at an angle out of the mounting location (3).

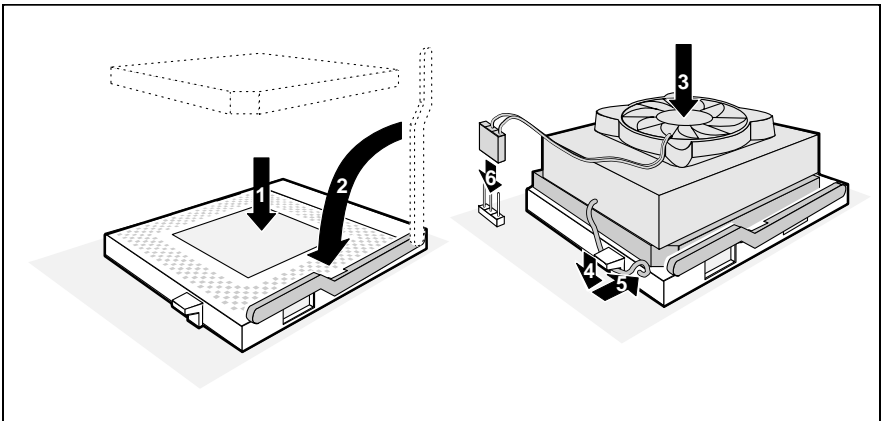
## Replacing the processor

### Removing the processor



- ▶ Remove the line (1) of the fan.
- ▶ Press the retainer in the direction of the arrow (2) and (3) and tilt it upwards.
- ▶ Lift the processor fan and the heat sink off the processor.
- ▶ Push the lever in the direction of the arrow (4) and lift it as far as it will go (5).
- ▶ Remove the old processor from the socket (6).

### Installing the processor



- ▶ Insert the new processor in the socket so that the mark on the upper side of the processor matches the mark on the socket (1).



The mark on the processor may be covered. In this case let yourself be guided by the marking in the rows of pins on the underside of the processor.

- ▶ Push the lever back down (2) so that it snaps into place.
- ▶ Apply the heat transfer compound evenly on the underside of the heat sink (approx. 0.5 mm).
- ▶ Mount the processor fan and the heat sink on the new processor (3).
- ▶ Swing the retainer down and press it in the direction of arrows (4) and (5) until it snaps in place.
- ▶ Fit the line (6) of the processor fan.
- ▶ Set the jumpers F0-F2 and CF0-CF3 depending on the processor which is installed.

## Replacing the lithium battery

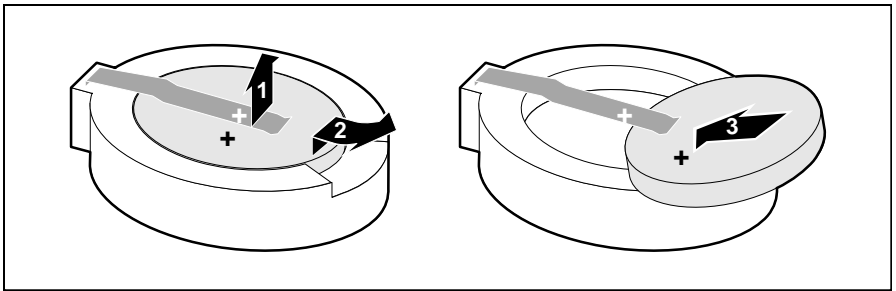


Please note the hints in the chapter "[Important Notes](#)".

Incorrect replacement of the lithium battery may lead to a risk of explosion.

The lithium battery must be replaced with an identical battery or a battery type recommended by the manufacturer (CR2032).

Do not throw lithium batteries into the trashcan. Your vendor or dealer or their authorized representatives will take used batteries back free of charge so that they can be recycled or disposed of in the proper manner. Make sure that you insert the battery the right way round. The plus pole must be on the top!



- ▶ Lift the contact (1) a few millimeters and remove the battery from its socket (2).
- ▶ Insert a new lithium battery of the same type in the socket (3).



---

## Error messages

This chapter contains error messages generated by the system board.

Diskette drive A error

Diskette drive B error

Check the entry for the diskette drive in the *Main* menu of the *BIOS Setup*.

Check the connections to the diskette drive.

Extended RAM Failed at offset: nnnn

Failing Bits: nnnn

System RAM Failed at offset: nnnn

Switch the PC off and on again. If the message is still displayed, please contact your sales office or customer service.

Fixed Disk 0 Failure

Fixed Disk 1 Failure

Fixed Disk Controller Failure

Check the entries for the hard disk drive in the *Main* menu of the *BIOS Setup*.

Check the hard disk drive's connections and jumpers.

Incorrect Drive A - run Setup

Incorrect Drive B - run Setup

Correct the entry for the diskette drive in the *Main* menu of the *BIOS Setup*.

Invalid NVRAM media type

Switch the PC off and on again. If the message is still displayed, please contact your sales office or customer service.

Keyboard controller error

Connect another keyboard. If the message is still displayed, please contact your sales office or customer service.

Keyboard error

Check that the keyboard is connected properly.

Keyboard error nn

Release the key on the keyboard (*nn* is the hexadecimal code for the key).

Monitor type does not match CMOS - RUN SETUP

Correct the entry for the monitor type in the *Main* menu of the *BIOS Setup*.

Operating system not found

Check the entries for the hard disk drive and the floppy disk drive in the *Main* menu of the *BIOS Setup*.

Parity Check 1

Parity Check 2

Switch the PC off and on again. If the message is still displayed, please contact your sales office or customer service.

## Error messages

---

Previous boot incomplete - Default configuration used

By pressing function key **F2** you can check and correct the settings in BIOS Setup . By pressing function key **F1** the PC starts with incomplete system configuration. If the message is still displayed, please contact your sales office or customer service.

Real time clock failure

Call the *BIOS Setup* and enter the correct time in the *Main* menu. If the message is still displayed, please contact your sales office or customer service.

System battery is dead - Replace and run SETUP

Replace the lithium battery on the system module and redo the settings in the *BIOS Setup*.

System Cache Error - Cache disabled

Switch the PC off and on again. If the message is still displayed, please contact your sales office or customer service.

System CMOS checksum bad - run SETUP

Call the *BIOS Setup* and correct the previously made entries or set the default entries.

System timer error

Switch the PC off and on again. If the message is still displayed, please contact your sales office or customer service.



## Messages d'erreur

Ce chapitre vous donne les messages d'erreur générés par le BIOS du système.

Diskette drive A error

Diskette drive B error

Vérifiez dans le menu Main du BIOS setup l'entrée correspondant au lecteur de disquettes. Vérifiez les connecteurs du lecteur de disquettes.

Extended RAM Failed at offset: nnnn

Failing Bits: nnnn

System RAM Failed at offset: nnnn

Redémarrez votre PC. Si le message réapparaît, adressez-vous à votre revendeur ou à notre S.A.V.

Fixed Disk 0 Failure

Fixed Disk 1 Failure

Fixed Disk Controller Failure

Vérifiez dans le menu Main du BIOS setup l'entrée correspondant au lecteur de disque dur. Vérifiez les connecteurs et les cavaliers du lecteur de disque dur.

Incorrect Drive A - run Setup

Incorrect Drive B - run Setup

Entrez dans le menu Main du BIOS setup et paramétrez correctement l'entrée correspondant au lecteur de disquettes.

Invalid NVRAM media type

Redémarrez votre PC. Si le message réapparaît, adressez-vous à votre revendeur ou à notre S.A.V.

Keyboard controller error

Connectez un autre clavier. Si le message réapparaît, adressez-vous à votre revendeur ou à notre S.A.V.

Keyboard error

Assurez-vous que le clavier est correctement connecté.

Keyboard error nn

Libérez la touche du clavier (nn est le code hexadécimal de cette touche).

Monitor type does not match CMOS - RUN SETUP

Entrez dans le menu Main du BIOS setup et paramétrez correctement l'entrée correspondant au type d'écran.

Operating system not found

Vérifiez dans le menu Main du BIOS setup les entrées correspondant au lecteur de disque dur et au lecteur de disquettes.

## Messages d'erreur

---

Parity Check 1

Parity Check 2

Redémarrez votre PC. Si le message réapparaît, adressez-vous à votre revendeur ou à notre S.A.V.

Previous boot incomplete - Default configuration used

Appuyez la touche de fonction **F2** pour vérifier et corriger les valeurs dans BIOS Setup. Si vous appuyez la touche de fonction **F1** le PC démarre en configuration incomplète. Si le message réapparaît, adressez-vous à votre revendeur ou à notre S.A.V.

Real time clock failure

Appelez le BIOS setup et entrez l'heure exacte dans le menu Main. Si le message réapparaît, adressez-vous à votre revendeur ou à notre S.A.V.

System battery is dead - Replace and run SETUP

Remplacez la batterie au lithium sur la carte système et procédez à de nouveaux réglages dans le BIOS setup.

System Cache Error - Cache disabled

Redémarrez votre PC. Si le message réapparaît, adressez-vous à votre revendeur ou à notre S.A.V.

System CMOS checksum bad - run SETUP

Appelez le BIOS setup et corrigez les réglages effectués en dernier lieu ou activez les réglages standard.

System timer error

Redémarrez votre PC. Si le message réapparaît, adressez-vous à votre revendeur ou à notre S.A.V.

## Mensajes de error

Aquí se describen los mensajes de error que son generados por el BIOS-Setup.

Diskette drive A error

Diskette drive B error

Compruebe en el menú principal del *BIOS-Setup* el registro para la unidad de disquete. Compruebe las conexiones de dicha unidad.

Extended RAM Failed at offset: nnnn

Failing Bits: nnnn

System RAM Failed at offset: nnnn

Arranque de nuevo el PC. Si sigue visualizándose este mensaje, diríjase a su distribuidor o a nuestro servicio de postventa.

Fixed Disk 0 Failure

Fixed Disk 1 Failure

Fixed Disk Controller Failure

Compruebe en el menú principal del *BIOS-Setup* los registros para la unidad de disco duro. Compruebe las conexiones y puentes enchufables de la unidad de disco duro.

Incorrect Drive A - run Setup

Incorrect Drive B - run Setup

Defina correctamente el registro de la unidad de disquete en el menú principal del *BIOS-Setup*.

Invalid NVRAM media type

Arranque de nuevo el PC. Si sigue visualizándose este mensaje, diríjase a su distribuidor o a nuestro servicio de postventa.

Keyboard controller error

Conecte otro teclado. Si sigue visualizándose este mensaje, diríjase a su distribuidor o a nuestro servicio de postventa.

Keyboard error

Compruebe si el teclado está conectado correctamente.

Keyboard error nn

Desbloquee la tecla del teclado (*nn* es el código hexadecimal para la tecla).

Monitor type does not match CMOS - RUN SETUP

Defina correctamente en el menú principal del *BIOS-Setup* el registro para el tipo de pantalla.

Operating system not found

Compruebe en el menú principal del *BIOS-Setup* los registros de la unidad de disco duro y de la unidad de disquete.

## Mensajes de error

---

Parity Check 1

Parity Check 2

Arranque de nuevo el PC. Si sigue visualizándose este mensaje, diríjase a su distribuidor o a nuestro servicio de postventa.

Previous boot incomplete - Default configuration used

Pulsando la tecla **F2** puede verificar y corregir los registros del BIOS-Setup. Pulsando la tecla **F1**, el sistema arranca con la configuración incompleta. Si sigue visualizándose este mensaje, diríjase a su distribuidor o a nuestro servicio de postventa.

Real time clock failure

Active el *BIOS-Setup* y registre la hora correcta en el menú principal (*Main*). Si sigue visualizándose este mensaje, diríjase a su distribuidor o a nuestro servicio de postventa.

System battery is dead - Replace and run SETUP

Sustituya la pila de litio en el módulo de sistema y repita las operaciones de ajuste en el *BIOS-Setup*.

System Cache Error - Cache disabled

Arranque de nuevo el PC. Si sigue visualizándose este mensaje, diríjase a su distribuidor o a nuestro servicio de postventa.

System CMOS checksum bad - run SETUP

Active el *BIOS-Setup* y corrija los últimos registros hechos o ajuste los registros estándar.

System timer error

Arranque de nuevo el PC. Si sigue visualizándose este mensaje, diríjase a su distribuidor o a nuestro servicio de postventa.

## Messaggi di errore

I messaggi di errore emessi dal system BIOS sono descritti qui in seguito.

Diskette drive A error

Diskette drive B error

Controllate il valore indicato per il drive per dischetti nel *BIOS-Setup* del menu principale (*Main*). Controllate i collegamenti del drive per dischetti.

Extended RAM Failed at offset: nnnn

Failing Bits: nnnn

System RAM Failed at offset: nnnn

Riavviate nuovamente il PC. Se il messaggio ricompare rivolgetevi al Vostro rivenditore o al nostro servizio di assistenza tecnica.

Fixed Disk 0 Failure

Fixed Disk 1 Failure

Fixed Disk Controller Failure

Controllate nel *BIOS-Setup* del menu principale i valori indicati per il drive del disco rigido. Controllate i collegamenti ed i ponticelli del drive del disco rigido.

Incorrect Drive A - run Setup

Incorrect Drive B - run Setup

Impostate nel *BIOS-Setup* del menu principale (*Main*) il valore corretto per il drive per dischetti.

Invalid NVRAM media type

Riavviate nuovamente il PC. Se il messaggio ricompare rivolgetevi al Vostro rivenditore o al nostro servizio di assistenza tecnica.

Keyboard controller error

Collegate un'altra tastiera. Se il messaggio ricompare rivolgetevi al Vostro rivenditore o al nostro servizio di assistenza tecnica.

Keyboard error

Controllate che la tastiera sia collegata correttamente.

Keyboard error nn

Liberate il tasto dalla tastiera (*nn* indica il codice esadecimale del tasto).

Monitor type does not match CMOS - RUN SETUP

Impostate nel *BIOS-Setup* del menu principale (*Main*) il valore corretto per il tipo di monitor.

Operating system not found

Controllate nel *BIOS-Setup* del menu principale i valori indicati per il drive per il disco rigido e per il drive per dischetti.

## Messaggi di errore

---

Parity Check 1

Parity Check 2

Riavviate nuovamente il PC. Se il messaggio ricompare rivolgetevi al Vostro rivenditore o al nostro servizio di assistenza tecnica.

Previous boot incomplete - Default configuration used

Premendo il tasto funzione **F2** potete verificare e correggere le impostazioni nel *BIOS-Setup*. Premendo il tasto funzione **F1**, il PC viene avviato con la configurazione di sistema completa. Se il messaggio ricompare rivolgetevi al Vostro rivenditore o al nostro servizio di assistenza tecnica.

Real time clock failure

Richiamate il *BIOS-Setup* ed inserite nel menu principale (*Main*) l'ora esatta. Se il messaggio ricompare rivolgetevi al Vostro rivenditore o al nostro servizio di assistenza tecnica.

System battery is dead - Replace and run SETUP

Sostituite la batteria al litio dell'unità di sistema ed inserite nuovamente i valori di impostazione nel *BIOS-Setup*.

System Cache Error - Cache disabled

Riavviate nuovamente il PC. Se il messaggio ricompare rivolgetevi al Vostro rivenditore o al nostro servizio di assistenza tecnica.

System CMOS checksum bad - run SETUP

Richiamate il *BIOS-Setup* e correggete gli ultimi valori impostati oppure indicati i valori standard.

System timer error

Riavviate nuovamente il PC. Se il messaggio ricompare rivolgetevi al Vostro rivenditore o al nostro servizio di assistenza tecnica.

## Felmeddelanden

Nedan beskrivs de felmeddelanden som system-BIOS matar ut på systemkomponenten.

Diskette drive A error

Diskette drive B error

Kontrollera inställningen för diskettenheten i menyn *Main* i *BIOS-Setup*-menyn. Kontrollera diskettenhetens anslutningar.

Extended RAM Failed at offset: nnnn

Failing Bits: nnnn

System RAM Failed at offset: nnnn

Starta upp PCn på nytt. Om meddelandet fortfarande visas bör du kontakta din återförsäljare eller vår kundservice.

Fixed Disk 0 Failure

Fixed Disk 1 Failure

Fixed Disk Controller Failure

Kontrollera inställningarna för hårddisken i menyn *Main* i *BIOS-Setup*-menyn. Kontrollera hårddiskens anslutningar och insticksbryggorna.

Incorrect Drive A - run Setup

Incorrect Drive B - run Setup

Korriger inställningen för diskettenheten i menyn *Main* i *BIOS-Setup*-menyn.

Invalid NVRAM media type

Starta upp PCn på nytt. Om meddelandet fortfarande visas bör du kontakta din återförsäljare eller vår kundservice.

Keyboard controller error

Anslut ett annat tangentbord. Om meddelandet fortfarande visas bör du kontakta din återförsäljare eller vår kundservice.

Keyboard error

Kontrollera att tangentbordet är korrekt anslutet.

Keyboard error nn

Frigör den angivna tangenten (*nn* är tangentens hexadecimalkod).

Monitor type does not match CMOS - RUN SETUP

Korriger inställningarna för bildskärmtypen i menyn *Main* i *BIOS-Setup*-menyn.

Operating system not found

Kontrollera inställningarna för hårddisken och diskettenheten i menyn *Main* i *BIOS-Setup*-menyn.

## Felmeddelanden

---

Parity Check 1

Parity Check 2

Starta upp PCn på nytt. Om meddelandet fortfarande visas bör du kontakta din återförsäljare eller vår kundservice.

Previous boot incomplete - Default configuration used

Om du trycker på funktionstangenten **F2**, kan du kontrollera och korrigera inställningarna i *BIOS-Setup*. Om du trycker på funktionstangenten **F1** startas PCn med den ofullständiga systemkonfigurationen. Om meddelandet fortfarande visas bör du kontakta din återförsäljare eller vår kundservice.

Real time clock failure

Ropa upp *BIOS-Setup*-menyn och ställ in korrekt klockslag i menyn *Main*. Om meddelandet fortfarande visas bör du kontakta din återförsäljare eller vår kundservice.

System battery is dead - Replace and run SETUP

Byt ut litiumbatteriet på systemkomponenten och genomför inställningarna i *BIOS-Setup*-menyn på nytt.

System Cache Error - Cache disabled

Starta upp PCn på nytt. Om meddelandet fortfarande visas bör du kontakta din återförsäljare eller vår kundservice.

System CMOS checksum bad - run SETUP

Ropa upp *BIOS-Setup*-menyn. Korrigera de senast gjorda inställningarna eller ställ in standardvärdena igen.

System timer error

Starta upp PCn på nytt. Om meddelandet fortfarande visas bör du kontakta din återförsäljare eller vår kundservice.



# Foutmeldingen

Vervolgens worden de foutmeldingen beschreven die het BIOS-systeem op de systeembouwgroep geeft.

Diskette drive A error

Diskette drive B error

Controleer in de setup van het *BIOS*, in het menu *Main*, de instelling van het diskettestation. Controleer de aansluitingen van het diskettestation.

Extended RAM Failed at offset: nnnn

Failing Bits: nnnn

System RAM Failed at offset: nnnn

Start de PC opnieuw. Als de melding opnieuw verschijnt, neem dan a.u.b. contact op met uw dealer of met onze klantendienst.

Fixed Disk 0 Failure

Fixed Disk 1 Failure

Fixed Disk Controller Failure

Controleer in de setup van het *BIOS*, in het menu *Main*, de instellingen van de harde schijf. Controleer de aansluitingen en de jumpers van de harde schijf.

Incorrect Drive A - run Setup

Incorrect Drive B - run Setup

Stel in de setup van het *BIOS*, in het menu *Main*, het diskettestation op de juiste wijze in.

Invalid NVRAM media type

Start de PC opnieuw. Als de melding opnieuw verschijnt, neem dan a.u.b. contact op met uw dealer of met onze klantendienst.

Keyboard controller error

Sluit een ander toetsenbord aan. Als de melding opnieuw verschijnt, neem dan contact op met uw dealer of met onze klantendienst.

Keyboard error

Controleer of het toetsenbord goed is aangesloten.

Keyboard error nn

Laat de toets van het toetsenbord los (*nn* is de hexadecimale code voor de toets).

Monitor type does not match CMOS - RUN SETUP

Stel in de setup van het *BIOS*, in het menu *Main*, het monitortype op de juiste wijze in.

## Foutmeldingen

---

### Operating system not found

Controleer in de setup van het *BIOS*, in het menu *Main*, de instellingen van de harde schijf en het diskteststation.

### Parity Check 1

### Parity Check 2

Start de PC opnieuw. Als de melding opnieuw verschijnt, neem dan a.u.b. contact op met uw dealer of met onze klantendienst.

### Previous boot incomplete - Default configuration used

Als u op de functietoets **F2** drukt, kunt u in de setup van het *BIOS* de instelling uittesten en verbeteren. Als u op de functietoets **F1** drukt, start de PC met de onvolledige systeemconfiguratie. Als de melding opnieuw verschijnt, neem dan a.u.b. contact op met uw dealer of met onze klantendienst.

### Real time clock failure

Roep de setup van het *BIOS* op en stel in het menu *Main* de juiste tijd in. Als de melding opnieuw verschijnt, neem dan a.u.b. contact op met uw dealer of met onze klantendienst.

### System battery is dead - Replace and run SETUP

Vervang de lithiumbatterij op het motherboard en stel de *BIOS* opnieuw in.

### System Cache Error - Cache disabled

Start de PC opnieuw. Als de melding opnieuw verschijnt, neem dan a.u.b. contact op met uw dealer of met onze klantendienst.

### System CMOS checksum bad - run SETUP

Roep de setup van het *BIOS* op en corrigeer wat u voor het laatst heeft ingesteld of stel de defaultwaarden in.

### System timer error

Start de PC opnieuw. Als de melding opnieuw verschijnt, neem dan a.u.b. contact op met uw dealer of met onze klantendienst.

---

# Index

## 3

32 Bit I/O 12

## 5

528 Mbytes hard disk, capacity 11

## A

Accumulator 5, 43

Additional settings 22

Address 4

    serial port 19

Addressing, hard disk 11

Advanced BIOS Setup 14

Advanced Power Management 29

Advanced Power Management, see APM

Advanced System Configuration 22

Advanced system settings 14

APM interface 29

Assignment

    DMA 4

    Interrupt 4

    PCI interrupt 22

Autotype Hard Disk 10

Available

    base memory 13

    extended Memory 13

## B

Base Memory 13

Battery

    recycling 5, 43

    replacement 5, 43

Bidirection 20

BIOS

    recovery 36

    update 36

BIOS Setup

## Index

---

- advanced system settings 14
- energy saving functions 29
- Exit 33
- Main menu 7
- Menu Advanced 14
- Menu Exit 33
- Menu Power 29
- Menu Security 25
- Power 29
- security 25
- settings 7
- System settings 7
- BIOS update 35, 37
  - diskette 28
- Board 3
- Boot Options 12
- Boot routine 12, 13
- Boot sector, changes 27
- Boot Sequence 13
- Bus width setting 12

## C

- Cache 15
  - BIOS 16
  - DRAM Memory Area 16
  - ROM areas 16
- Cache Memory 15
- Cache Memory Regions 16
- Cache System BIOS Area 16
- Cache Video BIOS Area 16
- Capacity, hard disk 11
- CE sign 6
- CF0, jumper 37
- CF1, jumper 37
- CF2, jumper 37
- CF3, jumper 37
- Changes, boot sector 27
- Clock cycle, PCI slot 22
- Clock frequency, jumpers 42
- Clock speed
  - standby function 31

Computer viruses 27  
Configuration  
    BIOS Setup 7  
    PCI slot 21  
Configuration data, initializing 23  
Connector 3  
Controller  
    floppy disk drive 20  
    Hard Disk 20  
    mouse 20  
    setting 18  
Cylinders, hard disk parameter 10

## D

Date, setting 8  
Default Latency Timer 22  
Disabling  
    mouse controller 20  
    Plug&Play 23  
Discard Changes & Exit 33  
Disk controller 18  
Diskette A / B 8  
Diskette Controller 20  
Diskette drive, write protection 36  
Diskette Lock 27  
Diskette Write 28  
Diskette, write protection 28  
DMA 4  
DRAM Memory Area 16

## E

ECP 20  
Effect  
    Setup Password 26  
    System Password 26  
Enabling  
    mouse controller 20  
    Plug&Play 23  
Energy saving functions  
    BIOS Setup 29  
    extent 30

## Index

---

- hard disk 30
  - terminating 32
- Energy saving mode 32
- Energy, saving 29, 30
- Enhanced Capability Port, see ECP
- Enhanced Parallel Port, see EPP
- Enhancing Performance 23
- Enhancing, performance 11, 12
- EPP 20
- Erreur, messages 47
- Error messages 45
- Error, mensajes 49
- Errore, messaggi 51
- ESD 6
- Exit, menu 33
- Exiting, BIOS Setup 33
- Extended Memory 13
  - size 13
- Extent, energy saving functions 30
- External cache
  - Second-level Cache 15
  - setting 15
- F**
- F0, jumper 37
- F1 7
- F1, jumper 37
- F2 27
- FDP, jumper 36, 37
- Features 2
- Felmeddelanden 53
- First-level cache
  - internal cache 15
  - setting 15
- Flash BIOS
  - write protection 28
- Flash Write 28
- Floppy disk
  - controller 20
  - write protection 28
- Floppy disk controller 20

Floppy disk drive  
  type 8  
Floppy disk drive, write protection 36  
FLP, jumper 35, 37  
Foutmeldingen 55  
Function key  
  F1 7  
  F2 27

**G**

Get Default Values 33

**H**

Hard Disk 9  
  addressing 11  
  capacity 11  
  energy saving functions 30  
Hard Disk Access 23, 24  
Hard Disk controller 20  
  disabling 20  
  setting 18  
Hard disk drive 9  
  parameter 10  
  transfer mode 11  
  transfer rate 11  
Hard disk parameter  
  Cylinder 10  
  Heads 10  
  Sector/Track 10  
  Write Precomp 10  
Hard Disk Read Ahead 23  
Hard Disk Timeout 30  
Hard Disk Type 10  
Heads, hard disk parameter 10  
Help text calling 7

**I**

IDE hard disk drive, see Hard disk drive  
IDE hard disk, see Hard disk  
Important Notes 5  
Infrared Interface 19

## Index

---

Initializing, configuration data 23

Installation

    Setup Password 26

    System Password 26

Interface 3

    setting 18

Interface, see Port

Internal cache

    First-level cache 15

    setting 15

Interrupt

    assigning 22

    serial port 19

Interrupt table 4

## J

Jumper 3

    settings 35

Jumper, System BIOS write-protection 37

Jumper, write protection for System BIOS 35

## K

Keyboard

    System password 26

## L

Large Disk Access Mode 24

Large hard disk, capacity 11

Latency Timer 22

LBA

    mode 11

    Translation 11

Lithium battery 5, 43

Load Previous Values 33

Location

    jumper 35

Logical Block Addressing, see LBA

## M

Main Memory 39

    size 13



- Main, menu 7
- Meanings, symbols 1
- Memory
  - Base Memory 13
  - Cache Memory 15
  - Extended Memory 13
  - main 39
  - Main Memory 13
  - modules 39
  - upgrade 39
- Memory module
  - removing 40
- Memory modules
  - installing 40
- Mensajes de error 49
- Menu
  - Advanced 14
  - BIOS Setup 7
  - Exit 33
  - Main 7
  - Power 29
  - Security 25
- Messages 45
- Messages d'erreur 47
- Messagi di errore 51
- Modules, notes 6
- Monitor type, setting 13
- Mouse Controller 20

## **N**

- Notes
  - CE sign 6
  - important 5
  - module 6

## **O**

- Operating system
  - booting 27
  - loading 27
  - starting 26

### P

- Parallel
  - port 19
- Parallel Mode 20
- Parameter, hard disk drive 10
- Password
  - Setup Password 26
  - System Password 26
- Password, System Password 26
- PCI 1
- PCI configuration 21
- PCI Device, Slot #n 22
- PCI Interrupt Mapping INTx# 22
- PCI interrupt, assigning 22
- PCI slot
  - Default Latency Timer 22
  - Latency Timer 22
  - setting 22
- Performance
  - enhancing 16, 23
- Performance, enhancing 11, 12, 15, 16, 17, 18
- Peripheral Component Interconnect, see PCI
- Peripheral Configuration 18
- Peripherals 18
- PIO 11
- PIO Mode 11
- Plug & Play O/S 23
- Port 3
  - configuring 19, 20
  - parallel 19, 20
  - serial 19
  - setting 18, 19
- POST Error Halt 12
- Power Management Mode 30
- Power Management, settings 29
- Power Off 28
- Power On, remote 28
- Power, BIOS Setup 29
- Power, menu 29
- Press F2 to enter SETUP 27
- Primary connector, hard disk controller 20

Printer 20

Processor

installing 41

internal Cache 15

jumpers 42

removing 41

replacing 42

Processor clock, standby function 31

Program

time loops 6

Programmed Input Output Mode, see PIO

## **Q**

Quick boot 13

Quick self-test 13

Quotation marks 1

## **R**

RAM 17

RAM memory 39

Random Access Memory, see RAM

RCV, jumper 36, 37

Read Only Memory, see ROM

Real-time clock 5, 43

Recovery disk 36

Recycling, battery 5, 43

Reduced self-test 13

Remote Power On 28

Reset Configuration Data 23

ROM 17

ROM areas 18

copying 17

## **S**

Save Changes 33

Save Changes & Exit 33

Saving

settings 33

Secondary connector, hard disk controller 20

Second-level cache

external cache 15

## Index

---

- setting 15
- Sector/Track, hard disk parameter 10
- Security features, BIOS Setup 25
- Self-test 12, 13
- Serial 1
  - address 19
  - disabling 19
  - interrupt 19
- Serial 2
  - address 19
  - disabling 19
  - interrupt 19
- Serial 2 Mode 19
- Serial port
  - setting 19
- Set Setup Password 26
- Set System Password 26
- Setting
  - controller 18
  - First-level cache 15
  - hard disk controller 18
  - interface 18
  - jumper 35
  - Second-level cache 15
- Setting BIOS recovery 36
- Setting write protection
  - floppy disk drive 36
- Settings
  - additional 22
  - BIOS Setup 7
  - Power Management 29
  - saving 33
- Setup 7
- Setup Password 25
  - effect 26
  - installation 26
- Setup Password Lock 26
- Setup Prompt 27
- Setup, see BIOS Setup
- Shadow Memory 17
- Shadow Memory Regions 18

- Slot 3
  - PCI configuration 21
- Socket 3
- Soft Power Off 28
- Specifications
  - technical 2
- Standby CPU Speed 31
- Standby function
  - clock speed 31
- Standby mode 30
- Standby Timeout 30
- SWOFF 28
- Symbols, meanings 1
- System
  - halted 12
- System BIOS
  - write protection 28
- System BIOS, write protection 35
- System BIOS, write-protection 37
- System board 3
- System board, see Board
- System Configuration 23
- System Date 8
- System Load 27
- System Password 25
  - effect 26
  - installation 26
- System Password Mode 26
- System settings
  - advanced 14
  - BIOS Setup 7
  - Main menu 7
- System Shadow 17
- System startup 12, 13
- System Time 8

**T**

- Technical information 7
- Technical specifications 2
- Terminating
  - BIOS Setup 33

## Index

---

- energy saving functions 32
- Test routine 12, 13
- Time loops 6
- Time, setting 8
- Transfer Mode 11
  - Hard disk drive 11
  - parallel 20
- Transfer rate
  - hard disk drive 11
  - parallel 20
- Type, Hard Disk Type 10

## U

- Update
  - BIOS 36
- Update, BIOS 35, 37
- Upgrading main memory 39

## V

- Video BIOS 17
- Video Display 13
- Video Shadow 17
- Virus Warning 27

## W

- Wakeup Event 32
- Warning, Virus 27
- Write Precomp 10
- Write Precomp, hard disk parameter 10
- Write protection
  - floppy disk 28
  - System BIOS 28
- Write protection floppy disk drive 36
- Write protection for System BIOS 35
- Write-protection, System BIOS 37