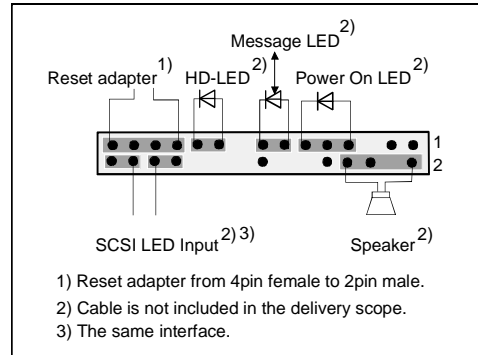
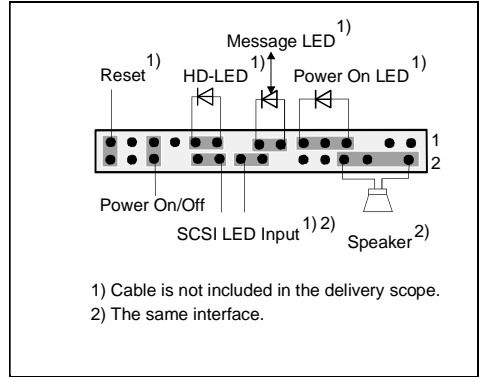


## Front panel connector (version 1)



Pin	Signal	Pin	Signal
1	Reserved	2	Speaker
3	Anode Standby LED	4	Key
5	Key	6	GND
7	Anode PON_LED	8	VCC
9	Not connected	10	Key pin
11	Cathode PON_LED (GND)	12	Key
13	Anode Message LED	14	Key
15	Cathode Message LED	16	Key pin
17	Key	18	Key
19	Anode HD_LED	20	Key
21	Cathode HD_LED	22	Key
23	GND (for Reset and Power button)	24	Not connected
25	Power Button	26	SCSI LED Input
27	Not connected	28	SCSI LED Input
29	Reset Button	30	Not connected

Front panel connector (version 2)



Pin	Signal	Pin	Signal
1	Reserved	2	Speaker
3	Anode Standby LED	4	Key
5	Key	6	GND
7	Anode PON_LED	8	VCC
9	Not connected	10	Key pin
11	Cathode PON_LED (GND)	12	Key pin
13	Anode Message LED	14	Key
15	Cathode Message LED	16	Not connected
17	Key	18	SCSI LED Input
19	Anode HD_LED	20	SCSI LED Input
21	Cathode HD_LED	22	Not connected
23	GND (for Reset and Power button)	24	Key
25	Power Button	26	GND
27	Not connected	28	GND
29	Reset Button	30	GND