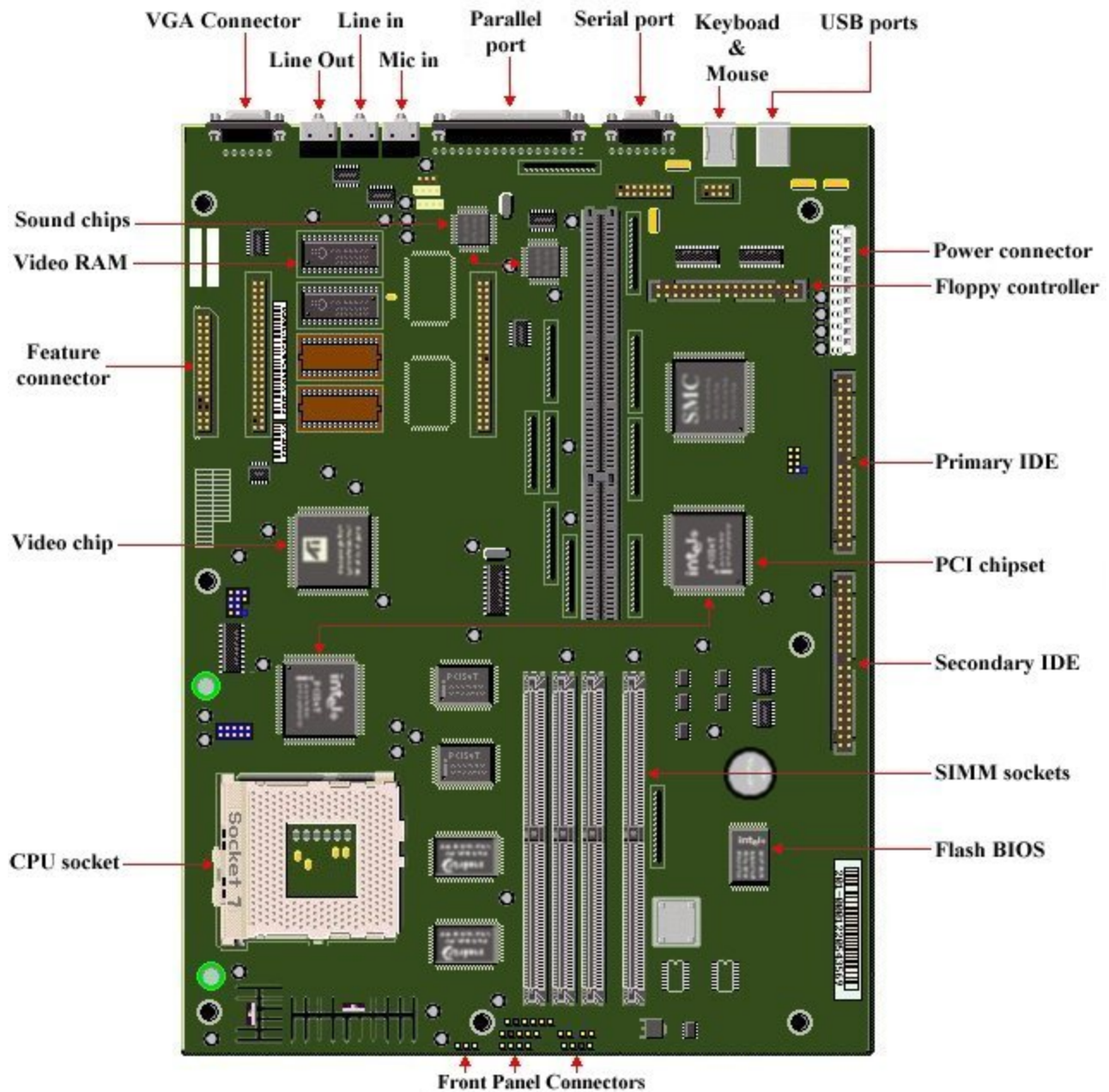


BCM FM 567 Motherboard Layout



[Jumpers](#)

[Sockets](#)

[Connectors](#)

KBID# 040067, Last Reviewed: March 22, 1999

Copyright© 1997-1999 Packard Bell NEC, Inc.

567 Motherboard Overview

Battery	Socketed 3 volt Lithium coin cell battery.
BIOS	Flash EEPROM - Phoenix Plug and Play 1.0a spec., support for Windows 95.
Bus Architecture	PCI 2.1/ISA based system bus
Cache	L2 cache 256KB Pipelined Burst Cache which is soldered on board and not upgradeable.
Chipset	Intel Triton 82430VX PCI
CPU	MMX Pentium 166 MHz (Model 3010) MMX Pentium 200 MHz (Model 3020) Uses Type 7 CPU Zero Insertion Force (ZIF) CPU Socket. Supports Pentium Overdrive.
Interfaces	Serial DB-9 Serial port for COM2 Parallel DB-25 Parallel port Keyboard PS/2 keyboard port Mouse PS/2 mouse port S-Video I2C and S-video IN USB Side-by side USB connector VGA DB-15 VGA port Soft On/Off 4-pin locking header I/O Box 4-pin locking header FDD Connector 34-pin on-board header connector HDD Connector 40-pin PCI IDE (fast PIO-4) HDD Connector 40-pin PCI IDE (fast PIO-4) VESA Feature Connector 34-pin header connector Infrared Serial Connector 5-pin header connector Sleep Mode Support 2-pin header
IRQ Availability	5, 10,11, 15 The available IRQs may vary depending on the system configurations. When determining available IRQs always check for printers, sound cards, CD-ROM drives and any other devices in the system. See Also: IRQ Availability
Network Certification	To be determined.
RAM	32MB installed standard/128M maximum Uses 4/8/16/32 MB 72-pin SIMMs, EDO or Fast Page RAM Use only non-parity DRAM
Speaker	On-board piezo speaker.
UART	Two high speed NS16C550 compatible Serial Ports
Video	ATI Rage GT 3D graphics controller with ATI VT/2 Accelerator (NEC567) ATI 264GT 2D graphics controller (NEC568) Both configurations upgradeable to 4 megabytes of ram.
Sound	Yamaha OPL/3 FM Synthesizer Yamaha OPL/4 Wavetable Synthesizer
Systems	Ready 9712

IRQ Availability

IRQ	Description	Used	Handled By
0	Timer	Yes	Default Handles

1	Keyboard	Yes	Default Handles
2	Cascade	Yes	BIOS
3	COM2 or COM4	COM2	BIOS
4	Modem	COM1	BIOS
5	Sound Blaster	Yes	BIOS
6	Floppy Disk	Yes	Default Handlers
7	LPT1	Yes	System Area
8	Real-Time Clock	Yes	Default Handlers
9	Redirected IRQ2	Yes	BIOS
10	USB	Yes	BIOS
11	Available	Free *1	BIOS
12	PS/2 Mouse	Yes	Default Handles
13	Math Co-processor	Yes	BIOS
14	Primary IDE	Yes	Default Handlers
15	Secondary IDE	Free *2	Default Handlers

*1 If a PBTV4 card is installed then IRQ 11 is used.

*2 If an IDE CD-ROM is used then IRQ 15 is used.

Document Information

KBID# 040069, Last Reviewed: March 3, 2003

Copyright© 1997-1999 Packard Bell NEC, Inc.

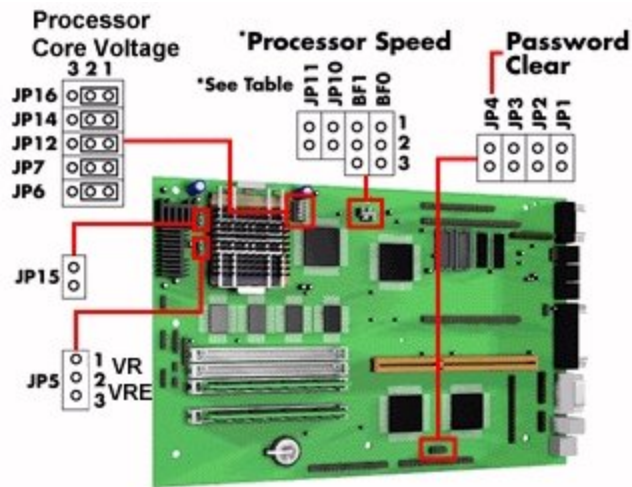
BCM FM 567 Motherboard Connectors

J9 Serial Port
J20 Parallel Port
PS/2 Keyboard Connector
PS/2 Mouse Connector
J27 VGA Monitor Connector
J2 Primary PCI IDE Connector
J3 Secondary PCI IDE Connector
J5 Floppy Connector
J26 VESA Feature Connector
J1 Primary Power Connector
J10 Riser Connector
SIMM 1 SIMM Socket - Bank 0
SIMM 2 SIMM Socket - Bank 0
SIMM 3 SIMM Socket - Bank 1
SIMM 4 SIMM Socket - Bank 1
U34 Video Memory Connector
U35 Video Memory Connector
J19 Internal Speaker
J21 CD In
J23 Modem In
L20 Line Out
L19 Line In
L17 Mic In
J28 Ramp In
USB
USB
VID 1 EXP
VID 2 EXP

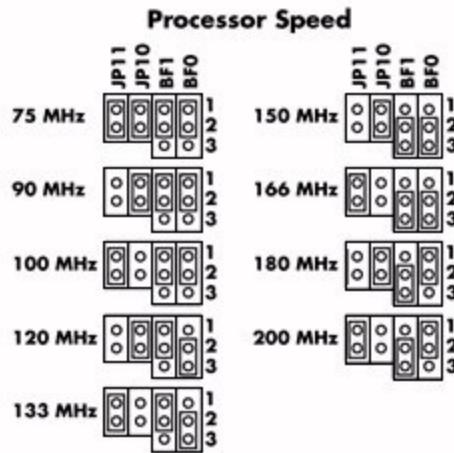
KBID# 040065, Last Reviewed: March 22, 1999

Copyright© 1997-1999 Packard Bell NEC, Inc.

BCM FM 567 Motherboard Jumper Settings



System board jumper locations



Setting the Processor Speed jumpers

Note
 The row of 5 jumpers for the core voltage (JP16/14/12/7/6) need to be set all at once. Short pins 3-2 for MMX CPU, pins 2-1 for non-MMX.

Short JP15 for MMX, open JP15 for non-MMX Pentium.

KBID# 040066, Last Reviewed: July 3, 2003

Copyright© 1997-1999 Packard Bell NEC, Inc.

567 Main Setup Screen

Note

Press <F2> during POST to get into setup. The following setup screens are samples only.

PhoenixBIOS Setup - Copyright 1985-95 Phoenix Technologies Ltd.					
Main	Advanced	Security	Power	Boot	Exit
System Time:	[14:50:07]				Item Specific Help <Tab>, <Shift-Tab>, or <Enter> selects field.
System Date:	[06/02/1997]				
Diskette A:	[1.44 MB, 3 1/2"]				
Diskette B:	[Not Installed]				
▶ IDE Adapter 0 Master	(C: 1674 Mb)				
▶ IDE Adapter 0 Slave	(None)				
▶ IDE Adapter 1 Master	(CD-Rom)				
▶ IDE Adapter 1 Slave	(None)				
Video System:	[EGA / VGA]				
▶ Memory Cache					
▶ Memory Shadow					
▶ Boot Options					
▶ Numlock:	[Auto]				
System Memory:	640 KB				
Extended Memory:	15 MB				

F1 Help ↑↓ Select Item -/+ Change Values F9 Setup Defaults
ESC Exit ↔ Select Menu Enter Select > Sub-Menu F10 Previous Values

KBID# 040673, Last Reviewed: March 22, 1999

Copyright© 1997-1999 Packard Bell NEC, Inc.