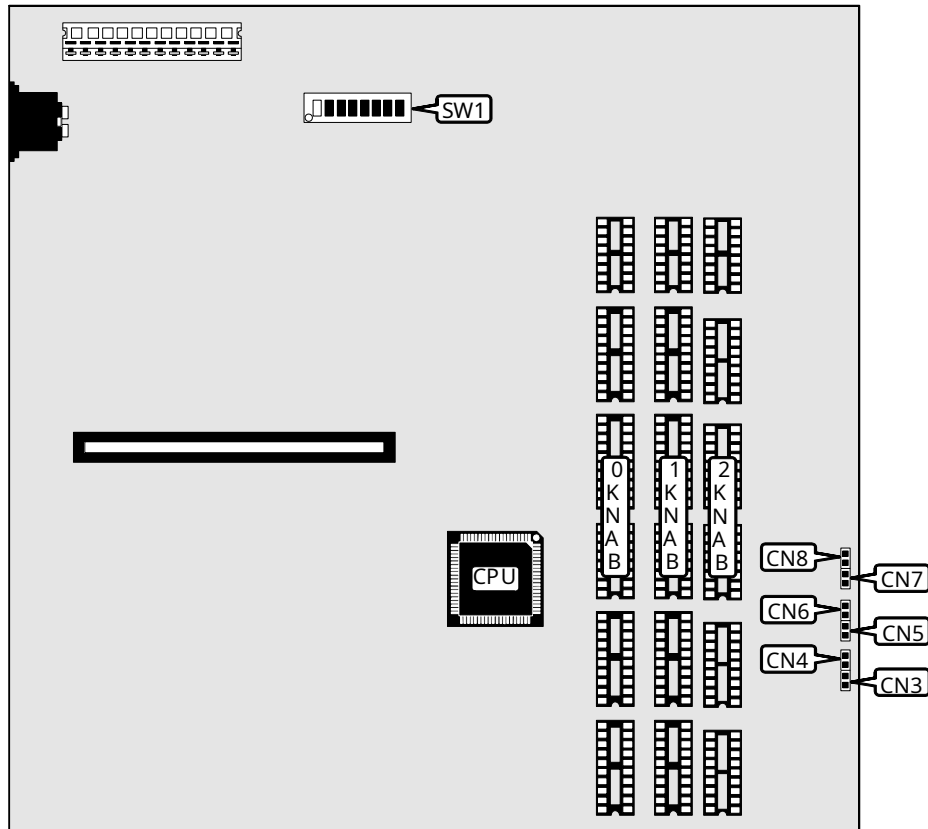


# Suntra FD286-10

<b>Processor</b>	80286
<b>Processor Speed</b>	10MHz
<b>Chip Set</b>	City Gate D30
<b>Max. Onboard DRAM</b>	1MB
<b>Cache</b>	None
<b>BIOS</b>	Unidentified
<b>Dimensions</b>	220mm x 220mm
<b>I/O Options</b>	XT Keyboard
<b>NPU Options</b>	None



CONNECTIONS			
Purpose	Location	Purpose	Location
Power LED	CN3	Keylock	CN6
Reset switch	CN4	Turbo LED	CN7
Speaker	CN5	Turbo switch	CN8

Continued next page. . .

# HEDAKA

## HED-919

... continued from previous page

USER CONFIGURABLE SETTINGS		
Function	Switch	Position
í Parity check disabled	SW1/1	On
Parity check enabled	SW1/1	Off
í Shadow BIOS enabled	SW1/2	On
Shadow BIOS disabled	SW1/2	Off
í Factory configured - do not alter	SW1/7	Off
í Wait state select 0 wait states	SW1/8	On
Wait state select 1 wait state	SW1/8	Off

DRAM CONFIGURATION						
Size	Bank 0	Parity 0	Bank 1	Parity 1	Bank 2	Parity 2
512KB	(4) 42456	(2) 41256	NONE	NONE	NONE	NONE
640KB	(4) 42456	(2) 41256	NONE	NONE	(4) 41464	(2) 4164
1MB	(4) 42456	(2) 41256	(4) 42456	(2) 41256	NONE	NONE

DRAM SWITCH CONFIGURATION		
Size	SW1/3	SW1/4
512KB	Off	On
640KB	On	Off
1MB	Off	Off

DISPLAY ADAPTER CONFIGURATION		
Type	SW1/5	SW1/6
CGA (40 x 25)	Off	On
CGA (80 x 25)	On	Off
Monochrome	Off	Off